



US00D831437S

(12) **United States Design Patent**
Boyden

(10) **Patent No.:** **US D831,437 S**
(45) **Date of Patent:** **** Oct. 23, 2018**

- (54) **BOTTLE STAND**
- (71) Applicant: **Andrew Boyden**, Fort Wayne, IN (US)
- (72) Inventor: **Andrew Boyden**, Fort Wayne, IN (US)
- (**) Term: **15 Years**
- (21) Appl. No.: **29/626,988**
- (22) Filed: **Nov. 21, 2017**

Related U.S. Application Data

- (62) Division of application No. 29/578,549, filed on Sep. 22, 2016, now Pat. No. Des. 806,484.
- (51) **LOC (11) Cl.** **07-06**
- (52) **U.S. Cl.**
USPC **D7/620**
- (58) **Field of Classification Search**
USPC D7/619.1-625, 701-708; D24/199
CPC A47G 7/044; A47G 23/02; A47G 23/0216;
A47G 23/0225; A47F 7/283; A47F 7/28;
B60N 3/102; F16B 47/00
See application file for complete search history.

(56) **References Cited**

U.S. PATENT DOCUMENTS

D251,426 S	3/1979	Molyneux	
4,278,225 A *	7/1981	Phelps	A61J 1/06 248/311.3
D265,508 S	7/1982	Rusteberg	
D286,509 S	11/1986	Havis	
D287,789 S	1/1987	Johnson	
D290,794 S	7/1987	Mingledorff, Jr.	
D304,670 S	11/1989	Johnson	
D313,341 S	1/1991	Gaboriault	
D325,636 S	4/1992	Putnam	
5,141,194 A	8/1992	Burgess et al.	
5,180,066 A *	1/1993	McArdle	A47F 7/28 211/73
D343,767 S	2/1994	Sambrookes	

D346,659 S	5/1994	Adams	
5,345,723 A	9/1994	Gibbs	
D355,337 S	2/1995	Eisenbraun et al.	
D377,885 S	2/1997	Knapton	
5,624,043 A	4/1997	Baptista	
D384,877 S	10/1997	Perrin et al.	
D391,122 S	2/1998	Wu	
D394,209 S	5/1998	Millet	
5,950,831 A	9/1999	Millet	
6,003,693 A	12/1999	Blickenstaff	
D434,495 S	11/2000	Whalen et al.	
D447,012 S *	8/2001	Owens	D7/620
D494,471 S	8/2004	Chou	
D505,328 S	5/2005	Chou	
D534,397 S	1/2007	Burch	
D551,513 S *	9/2007	Fiorella	D28/61
D560,441 S	1/2008	Kacmarynski	
7,364,129 B1	4/2008	Levari, Jr.	

(Continued)

Primary Examiner — Terry A Wallace

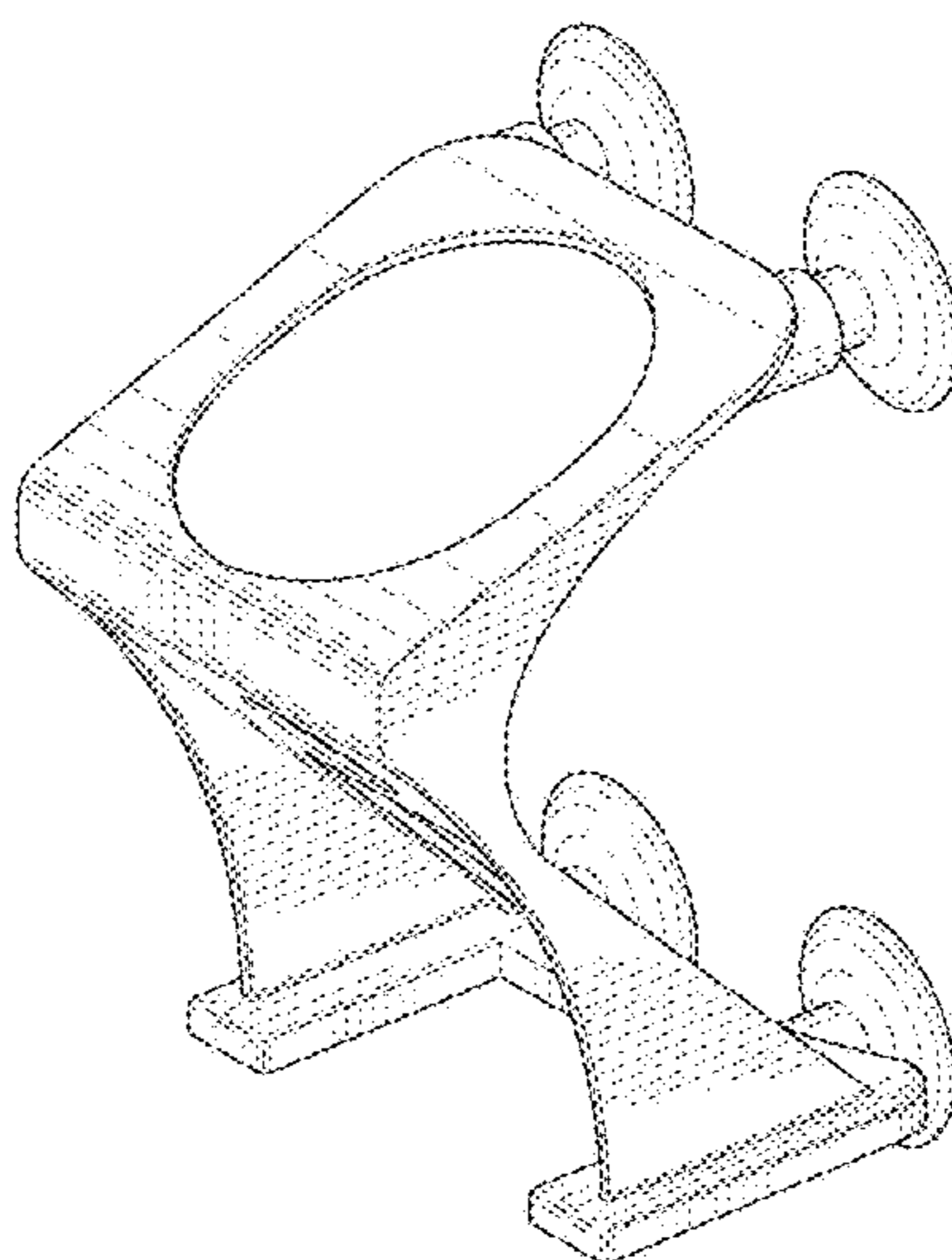
(57) **CLAIM**

The ornamental design for a bottle stand, as shown and described.

DESCRIPTION

FIG. 1 is a perspective view of a bottle stand showing my new design.
 FIG. 2 is a front view thereof.
 FIG. 3 is a rear view thereof.
 FIG. 4 is a left side view thereof.
 FIG. 5 is a right side view thereof.
 FIG. 6 is a top plan view thereof; and,
 FIG. 7 is a bottom plan view thereof.
 As indicated in the title, the article of manufacture to which the ornamental design has been applied is a bottle stand. In each Figure, marks indicating shading within the border of the figure are to show contour and shape only.

1 Claim, 7 Drawing Sheets



(56)

References Cited

U.S. PATENT DOCUMENTS

7,562,853 B2 * 7/2009 Mazzola A47F 7/283
248/311.2
D620,982 S * 8/2010 Parshad D19/81
D640,386 S 6/2011 David Rhoades
D724,346 S * 3/2015 Lim D6/553

* cited by examiner

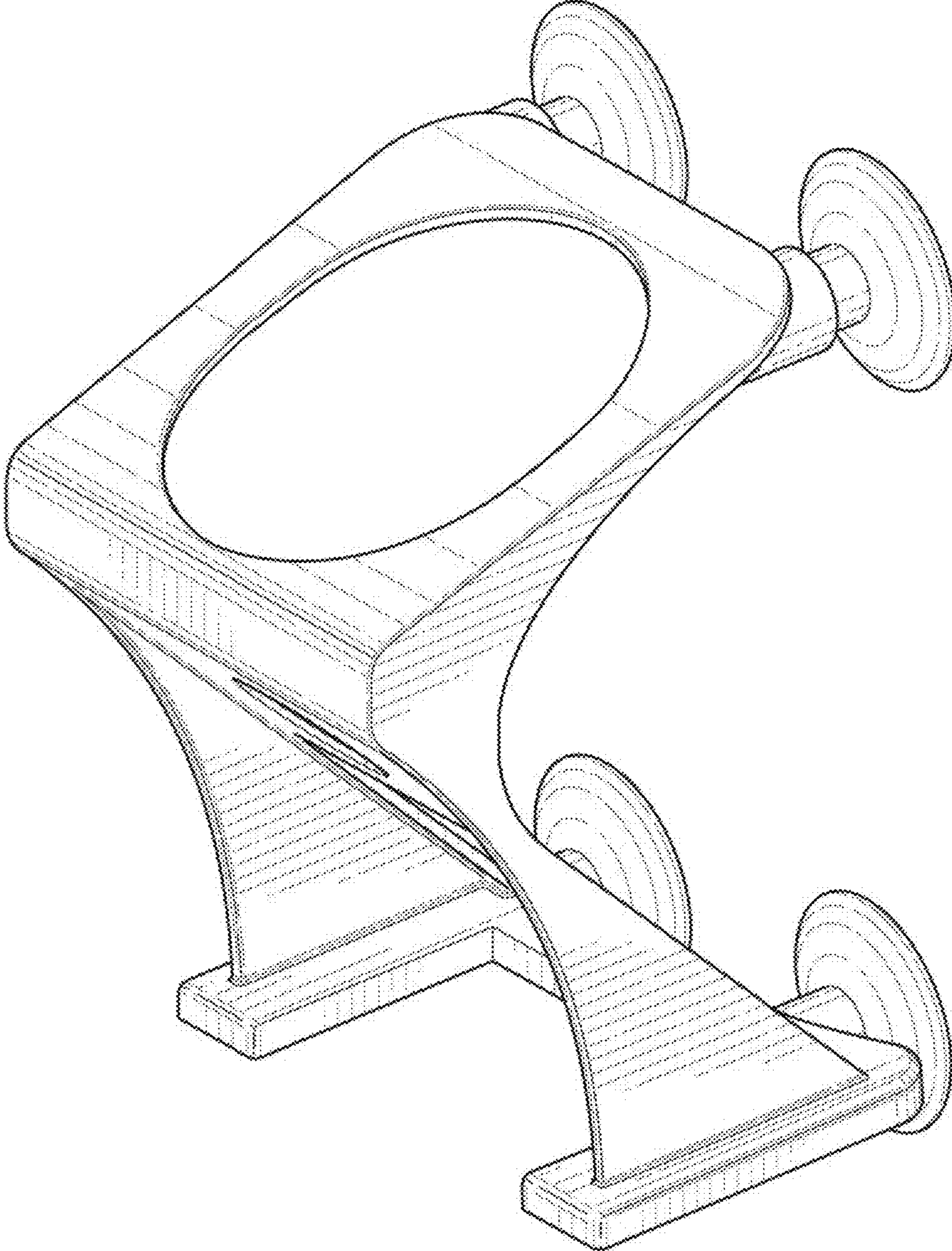


Fig. 1

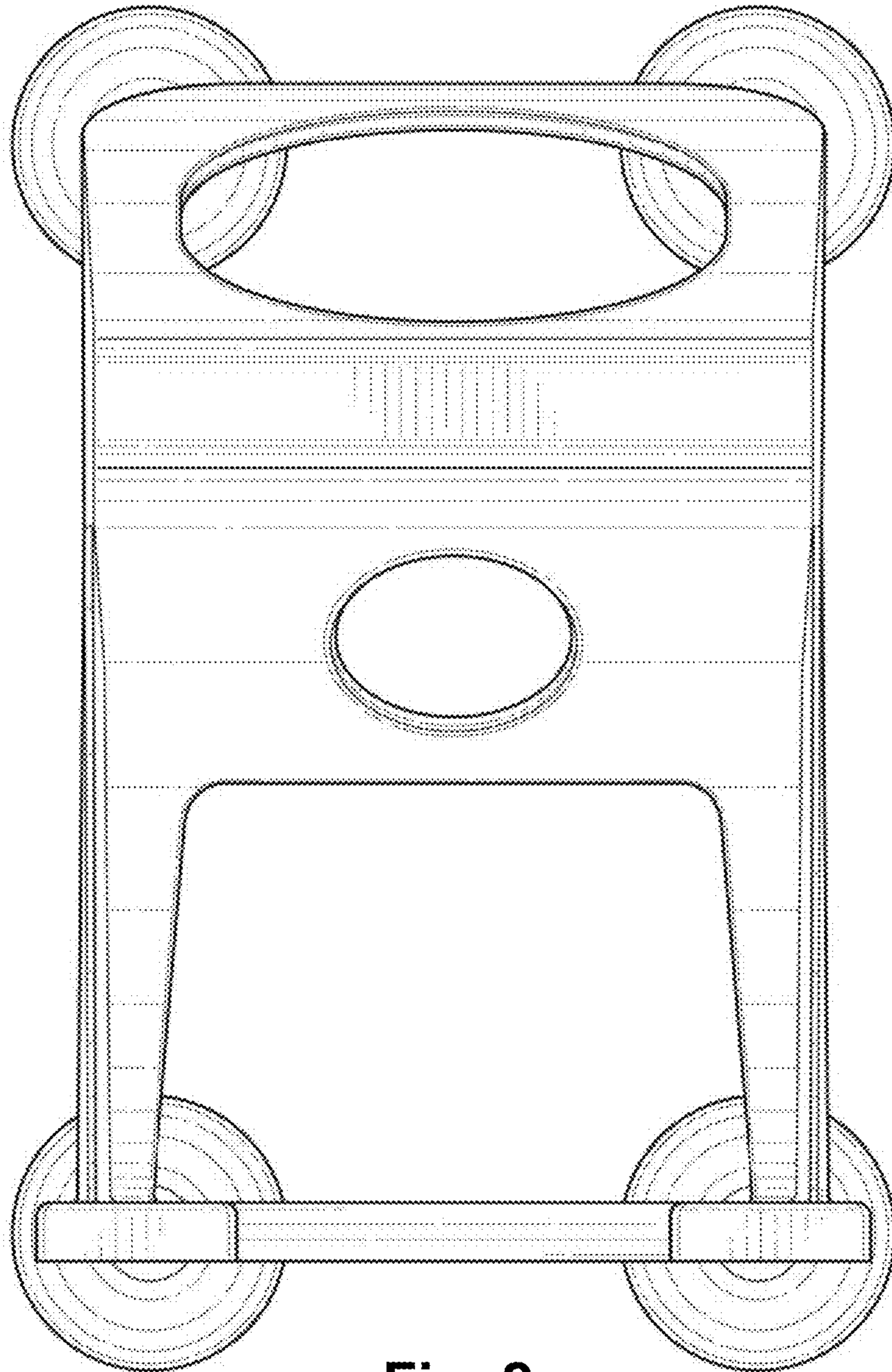


Fig. 2

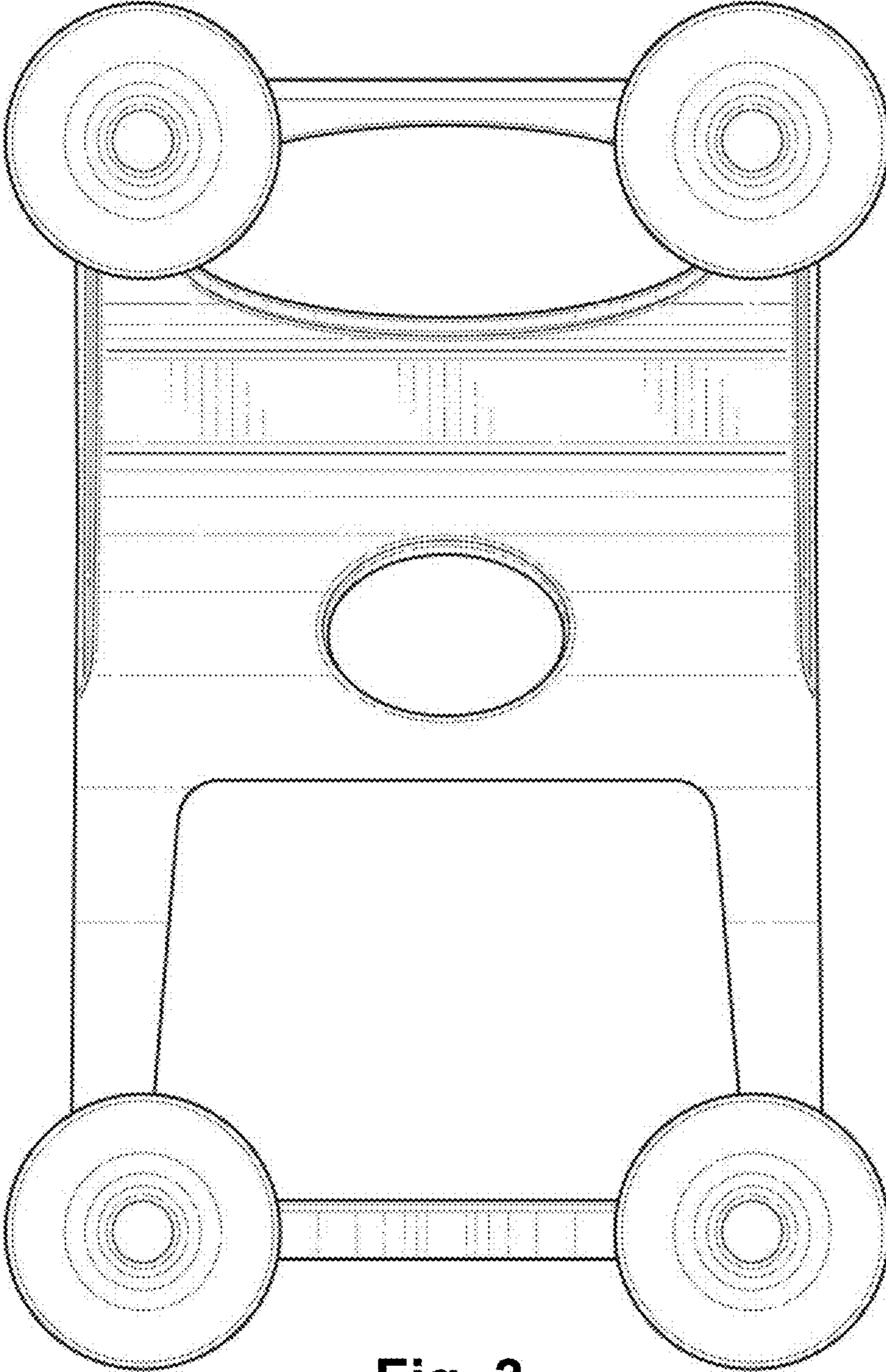


Fig. 3

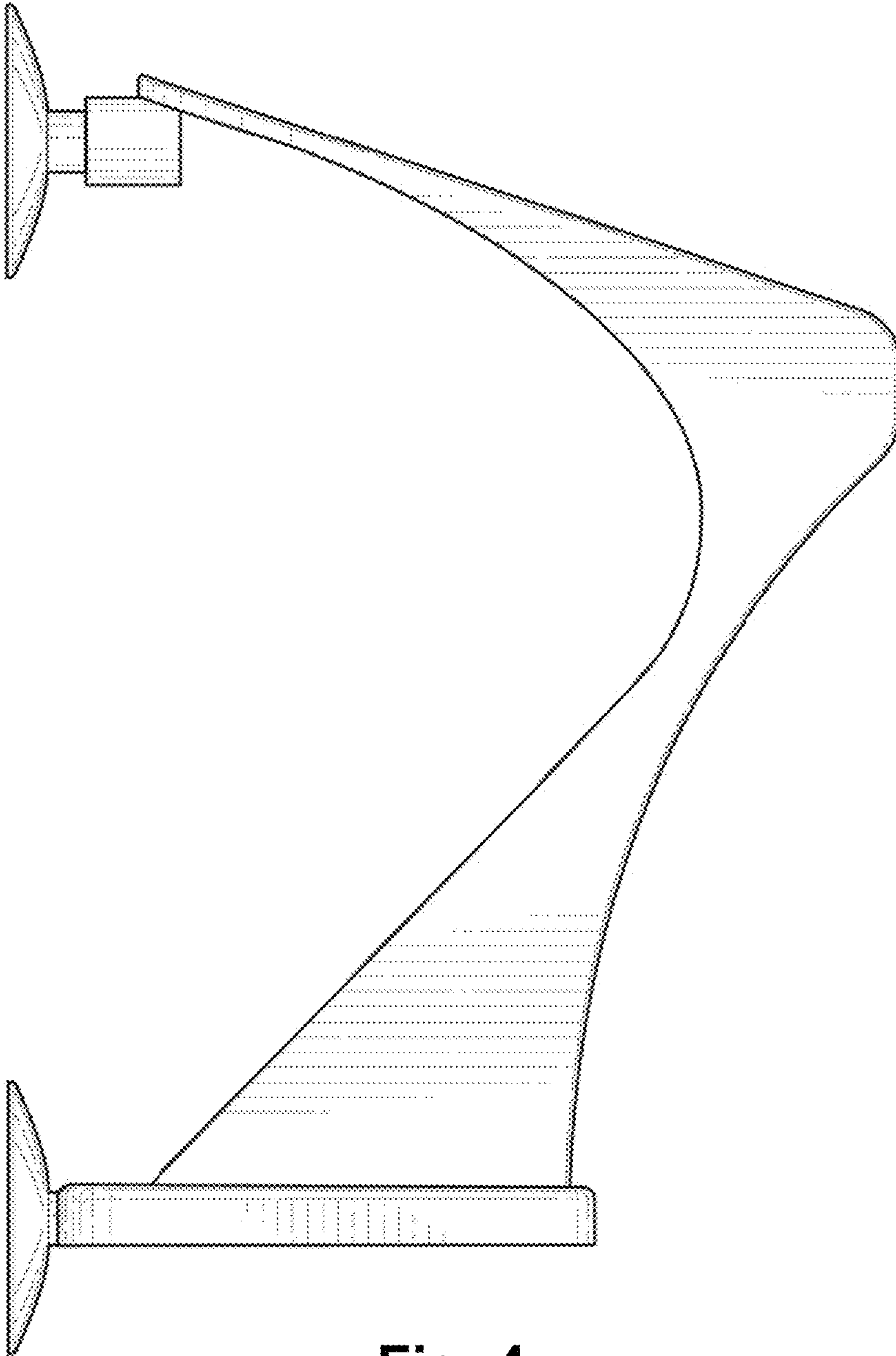


Fig. 4

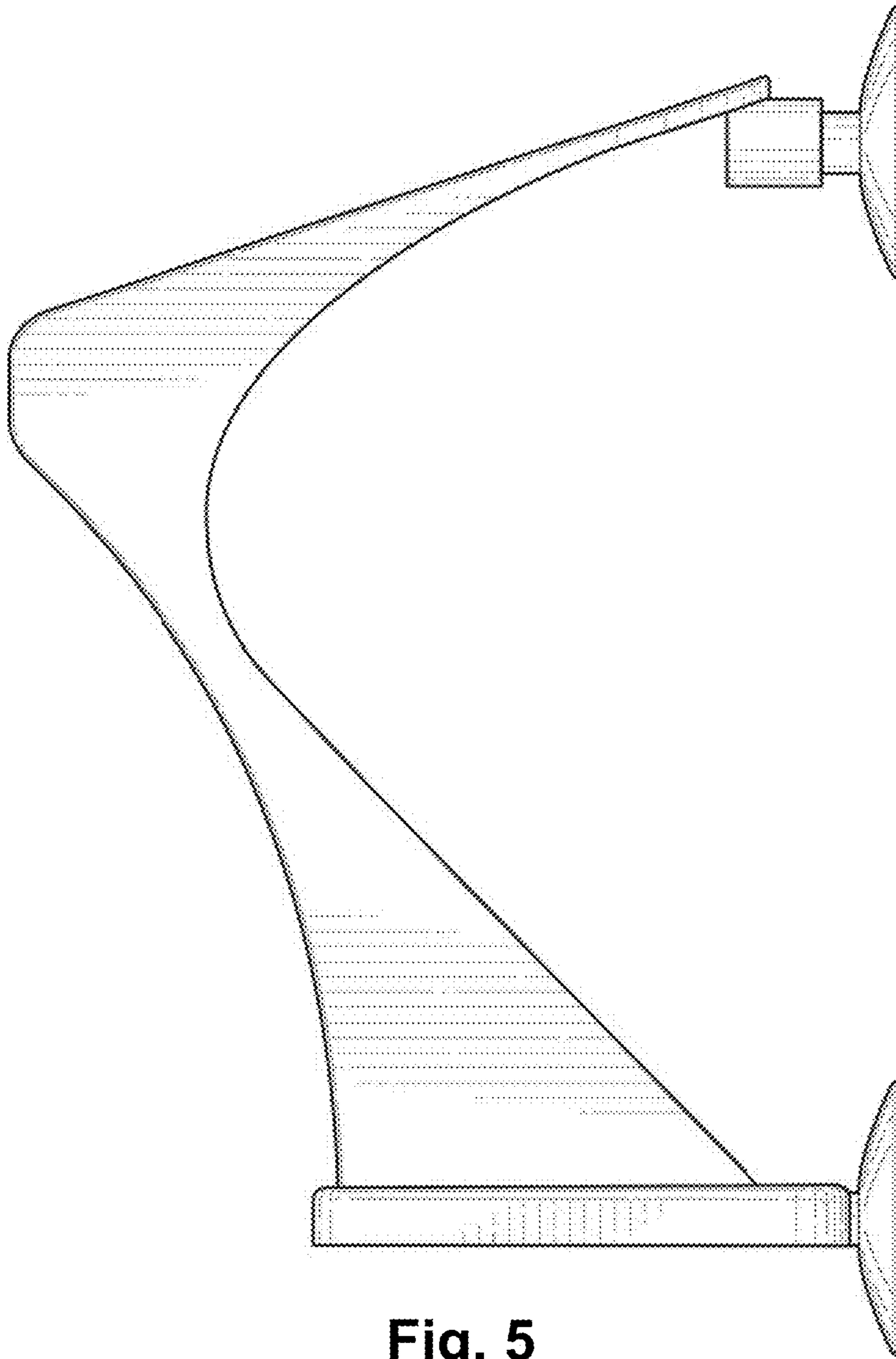


Fig. 5

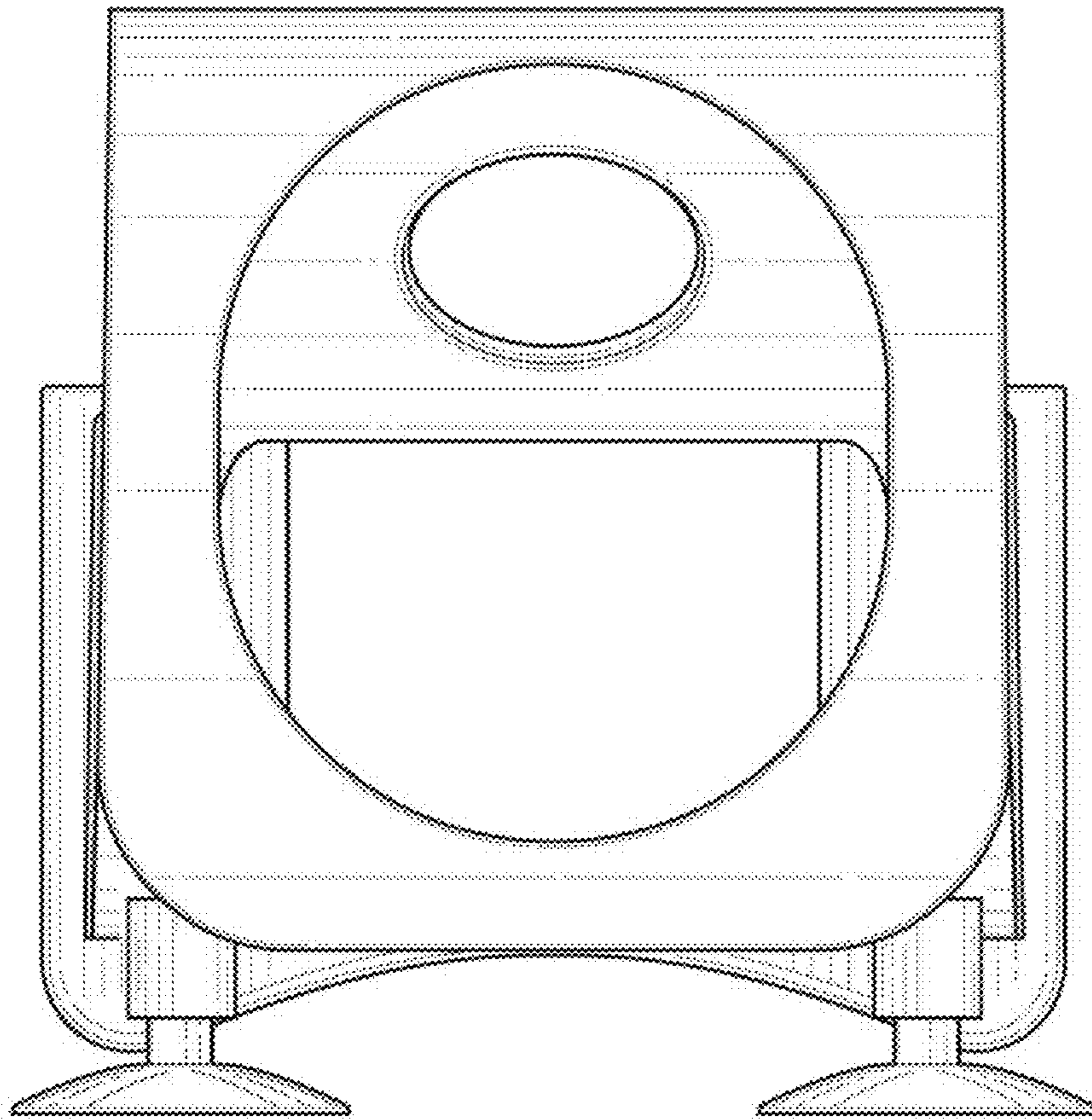


Fig. 6

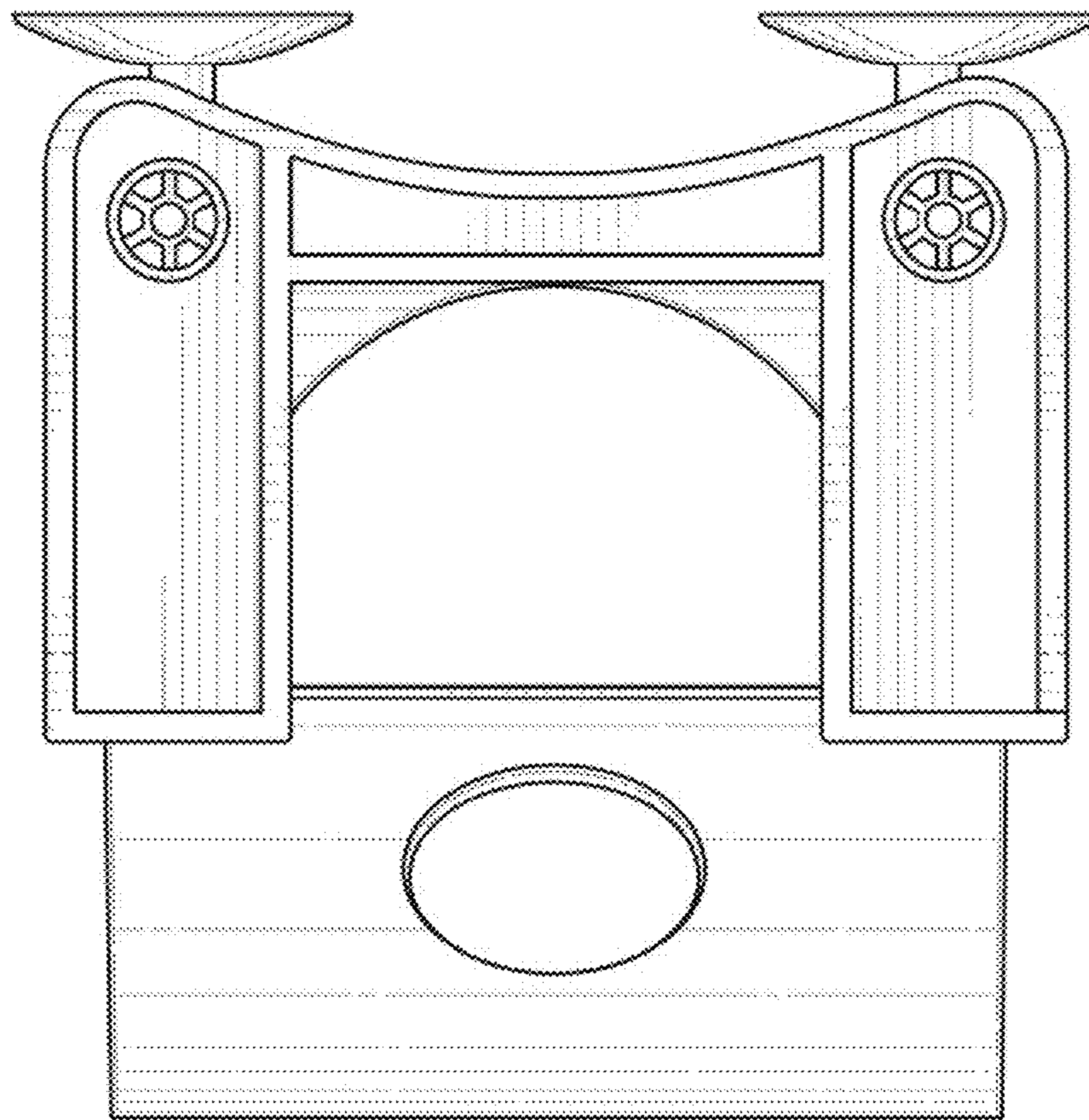


Fig. 7