

US00D831435S

(12) **United States Design Patent** (10) **Patent No.:** **US D831,435 S**  
**Zhang** (45) **Date of Patent:** **\*\* Oct. 23, 2018**

- (54) **COOLER BOX** D494,424 S \* 8/2004 Segura ..... D7/608  
8,146,764 B2 \* 4/2012 Kral ..... A47B 9/00  
220/290
- (71) Applicant: **Ningbo Easy Houseware Co., Ltd,** D671,372 S \* 11/2012 Zou ..... D7/608  
Ningbo (CN) D722,474 S \* 2/2015 Seiders ..... D32/53
- (72) Inventor: **Yabin Zhang,** Ningbo (CN) 2009/0193837 A1 \* 8/2009 Hamlin ..... F25D 3/08  
62/457.5
- (73) Assignee: **Ningbo Easy Houseware CO., Ltd,** 2015/0253055 A1 \* 9/2015 Tsui ..... B65D 21/086  
Ningbo (CN) 62/62

\* cited by examiner

(\*\*) Term: **15 Years**

*Primary Examiner* — Terry A Wallace

(21) Appl. No.: **29/601,884**

(74) *Attorney, Agent, or Firm* — Gokalp Bayramoglu

(22) Filed: **Apr. 26, 2017**

(51) **LOC (11) Cl.** ..... **07-01**

(57) **CLAIM**

(52) **U.S. Cl.**  
USPC ..... **D7/608**

The ornamental design for a cooler box, as shown and described.

(58) **Field of Classification Search**  
USPC ..... D7/603–608, 300, 312, 313  
CPC ..... F25D 3/08; F25D 3/14; F25D 2331/804;  
A45C 11/20; B26B 3/00; A47J 41/028;  
B65D 81/3823; B65D 81/3886; B65D  
21/086

**DESCRIPTION**

See application file for complete search history.

FIG. 1 is a perspective view of the cooler box showing my new design;

(56) **References Cited**

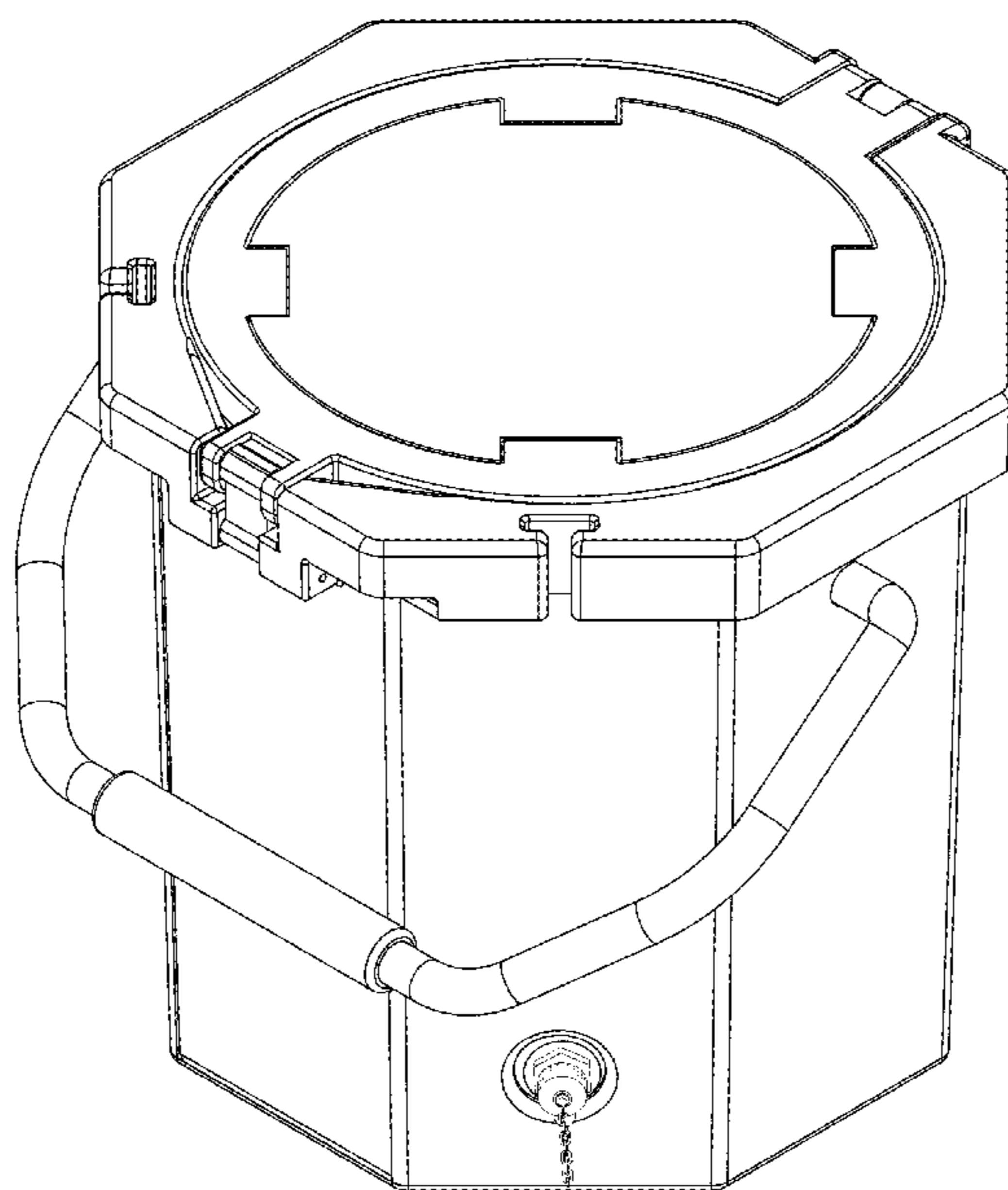
**U.S. PATENT DOCUMENTS**

- 2,570,300 A \* 10/1951 Acton ..... F25D 3/08  
62/331
- 3,182,884 A \* 5/1965 Waldron ..... B65D 3/22  
206/592
- D261,088 S \* 10/1981 Akimov ..... D7/608
- 4,537,044 A \* 8/1985 Putnam ..... A45C 11/20  
220/902
- D344,657 S \* 3/1994 Knopp ..... D7/313
- D369,525 S \* 5/1996 Winters ..... D7/608
- D373,055 S \* 8/1996 Segura ..... D7/608

FIG. 2 is a front view thereof;  
FIG. 3 is a back view thereof;  
FIG. 4 is a left view thereof;  
FIG. 5 is a right view thereof;  
FIG. 6 is a top view thereof;  
FIG. 7 is a bottom view thereof; and,  
FIG. 8 is another perspective view thereof when the lid is open.

The broken lines showing features on the bottom view depict portions of the cooler box that form no part of the claimed design.

**1 Claim, 8 Drawing Sheets**



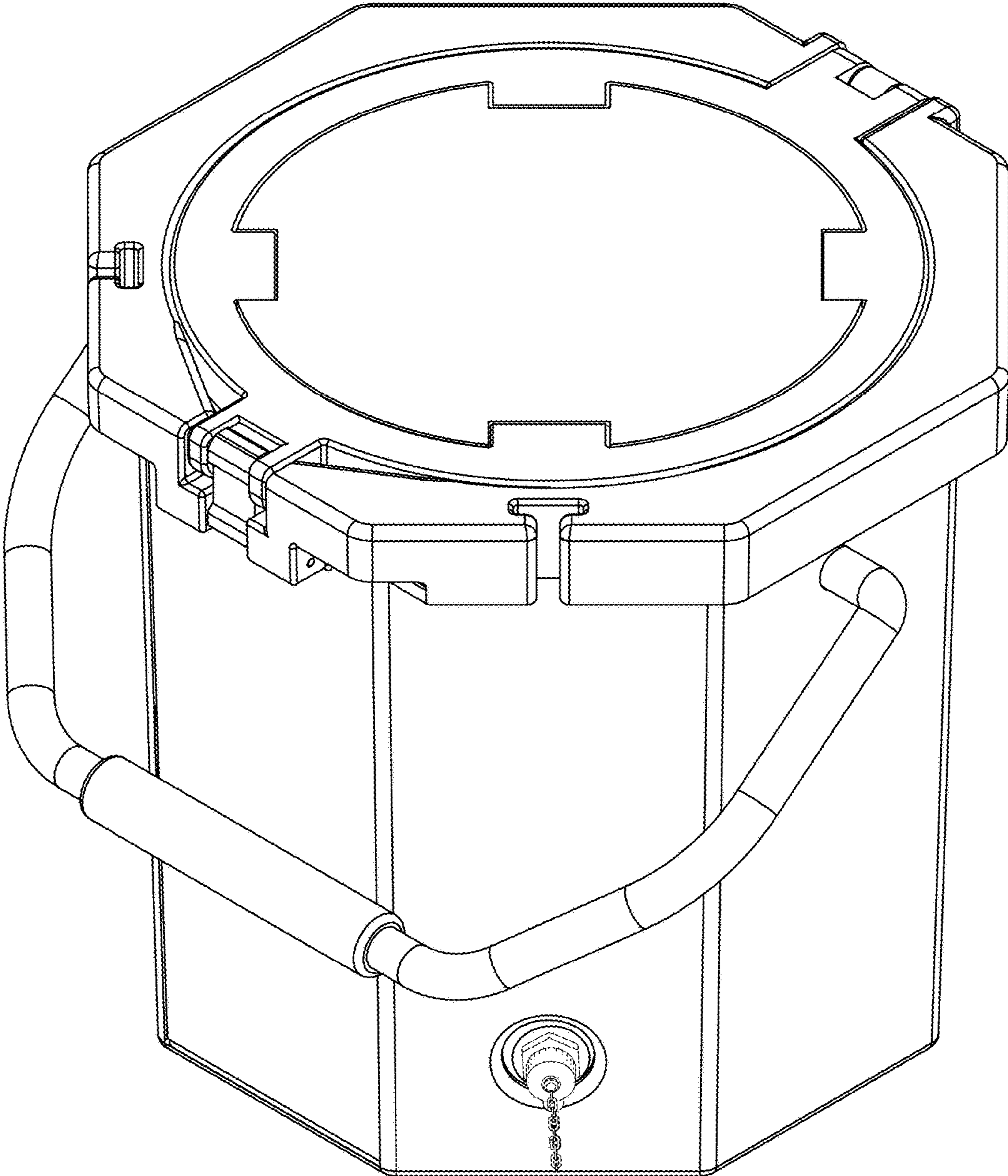


FIG. 1

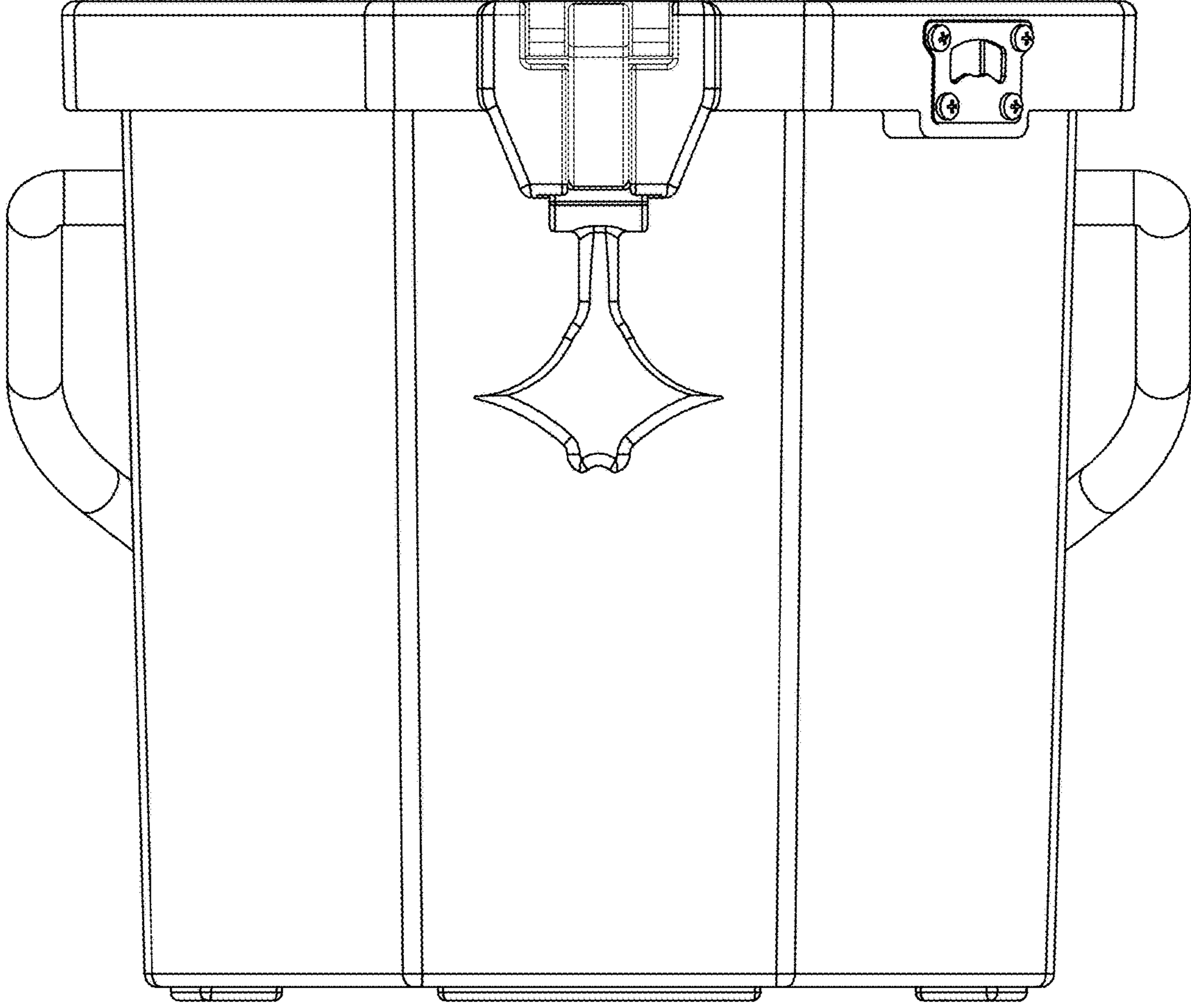


FIG. 2

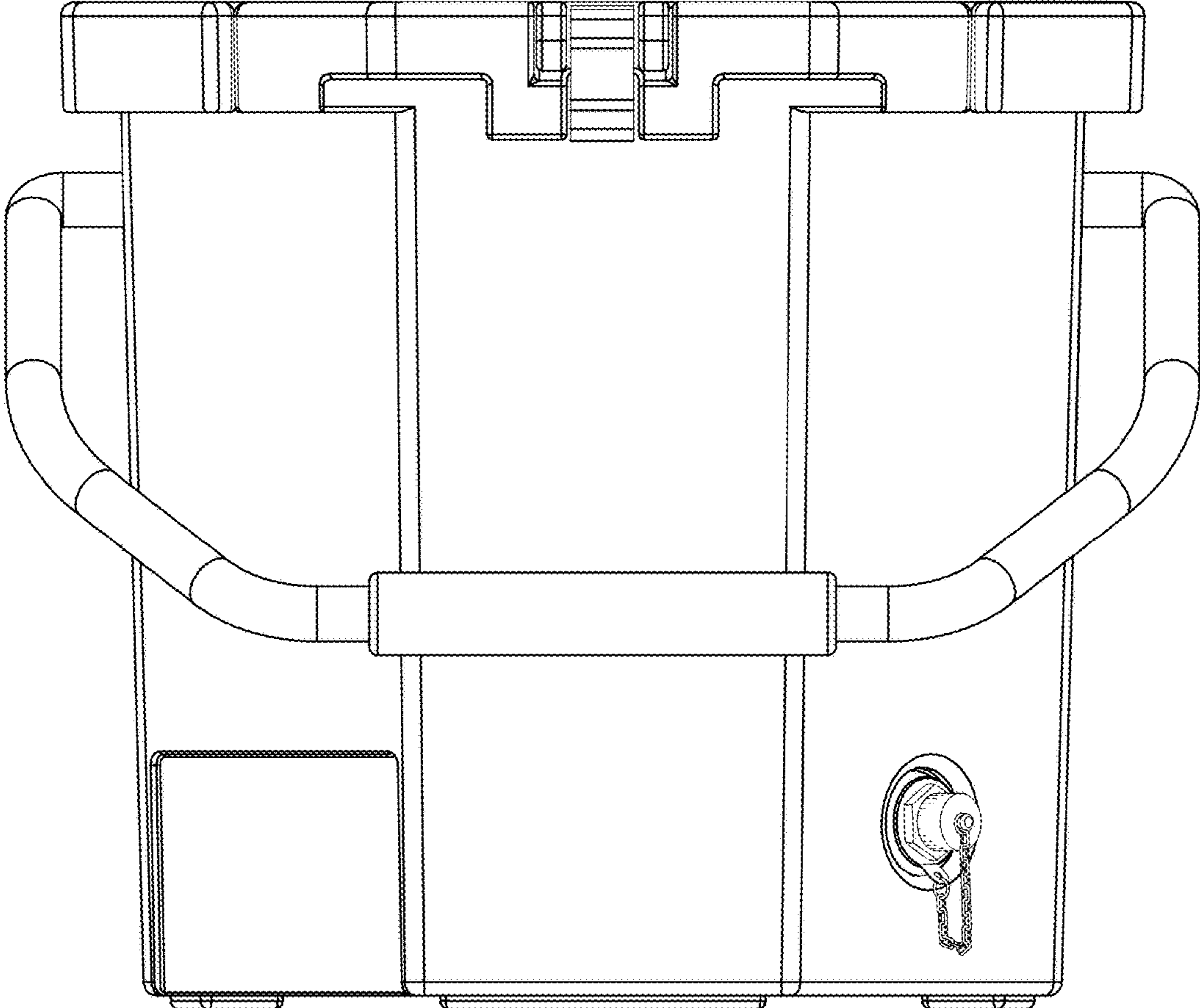


FIG. 3

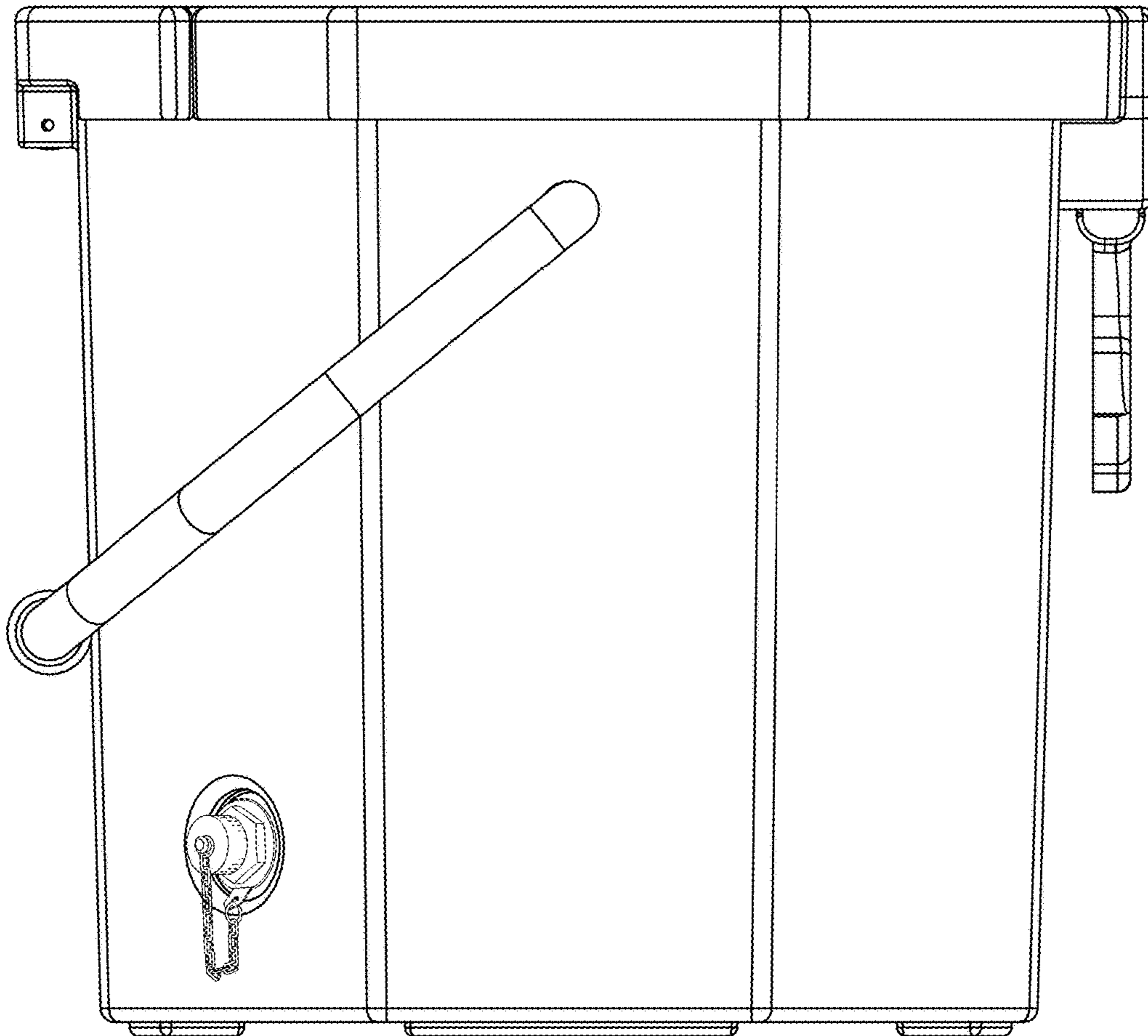


FIG. 4

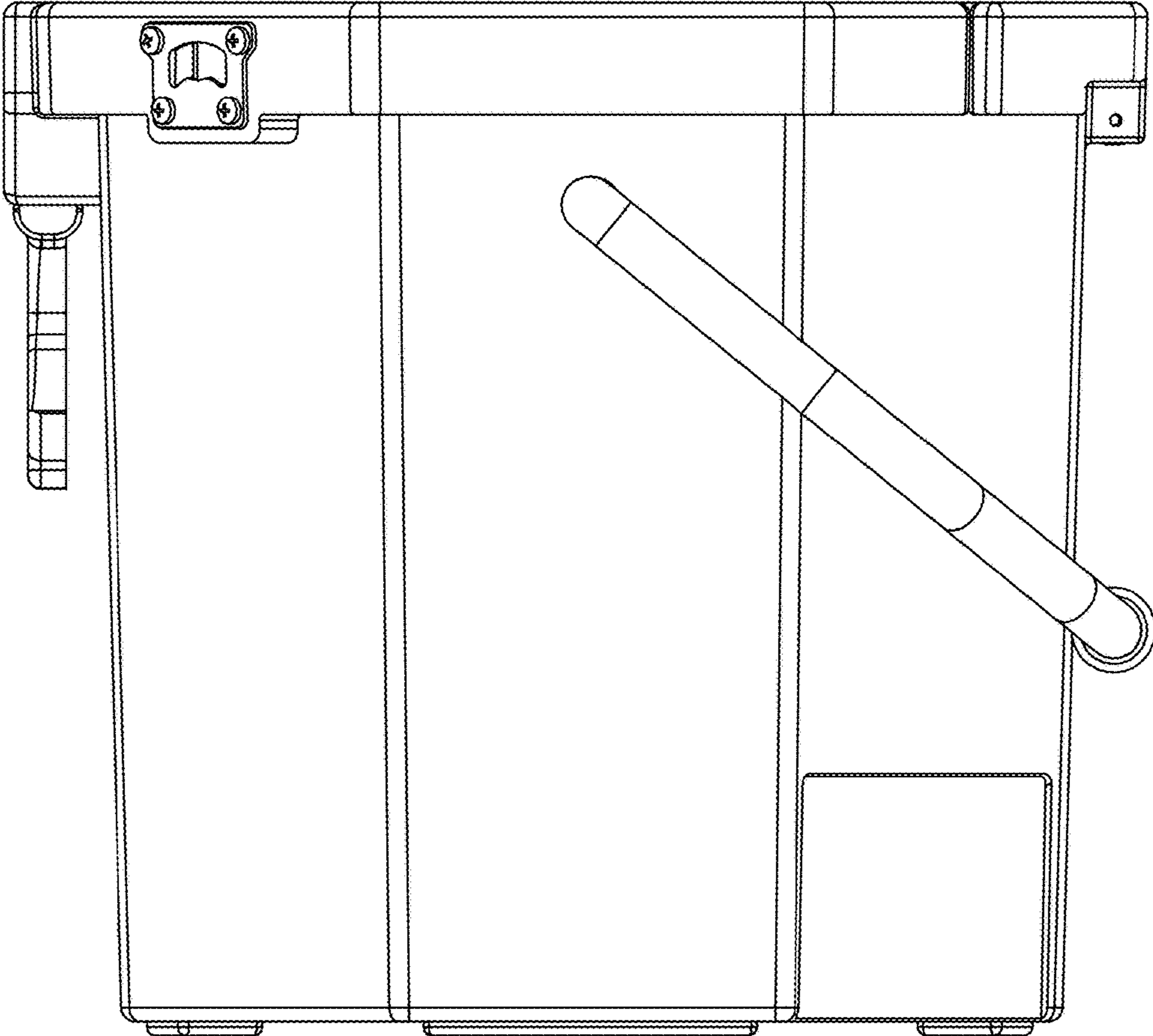


FIG. 5

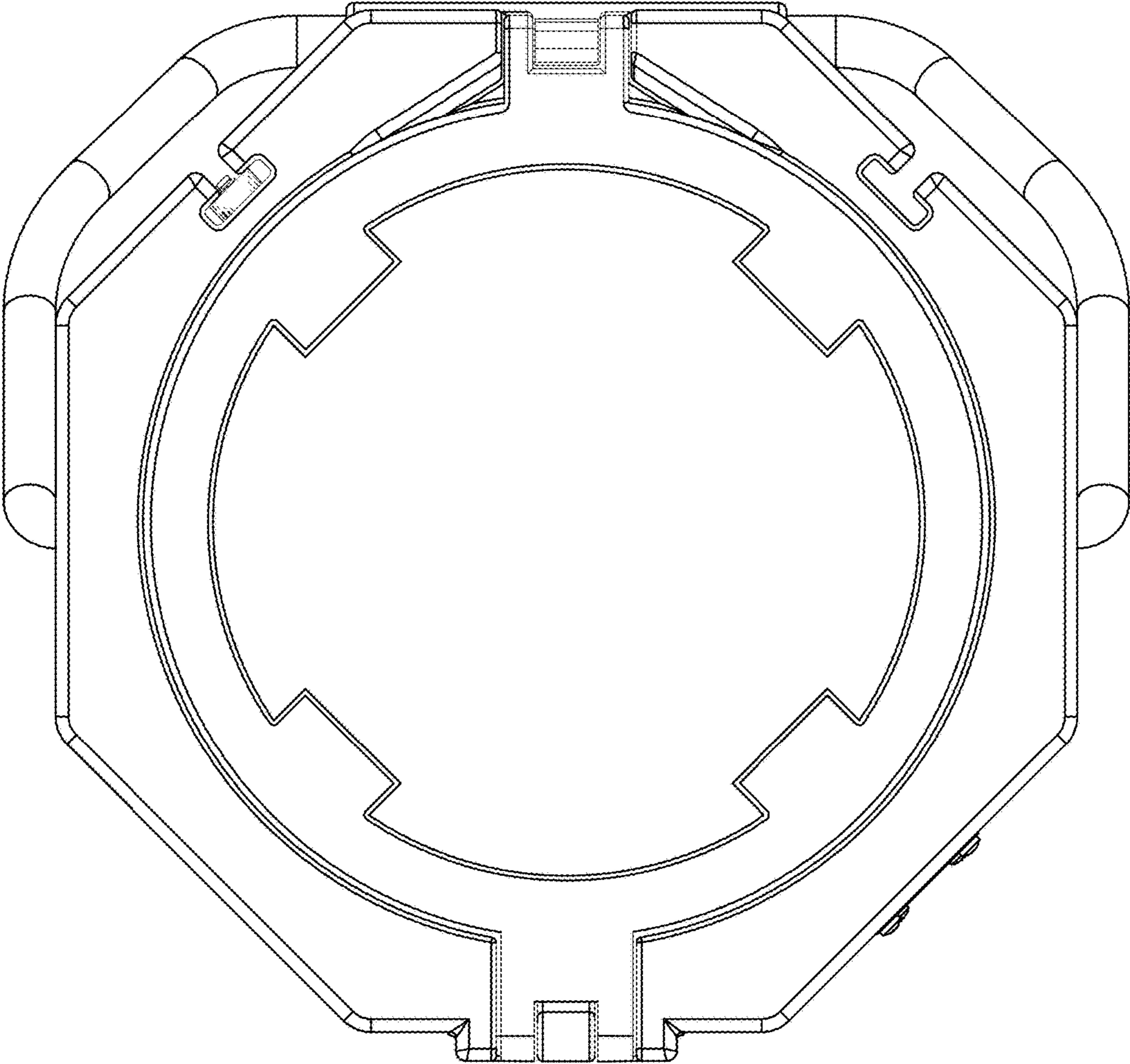


FIG. 6

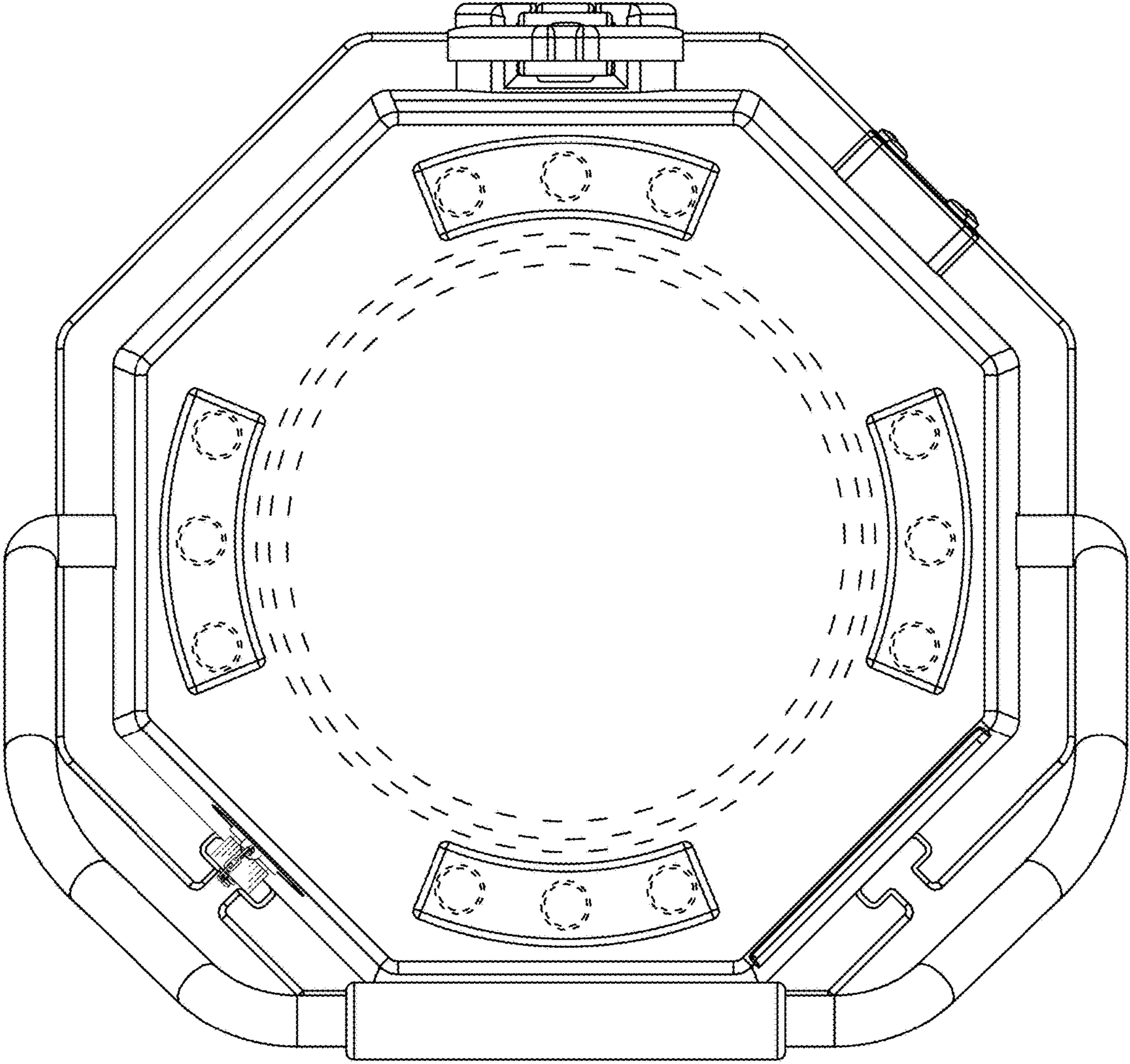


FIG. 7



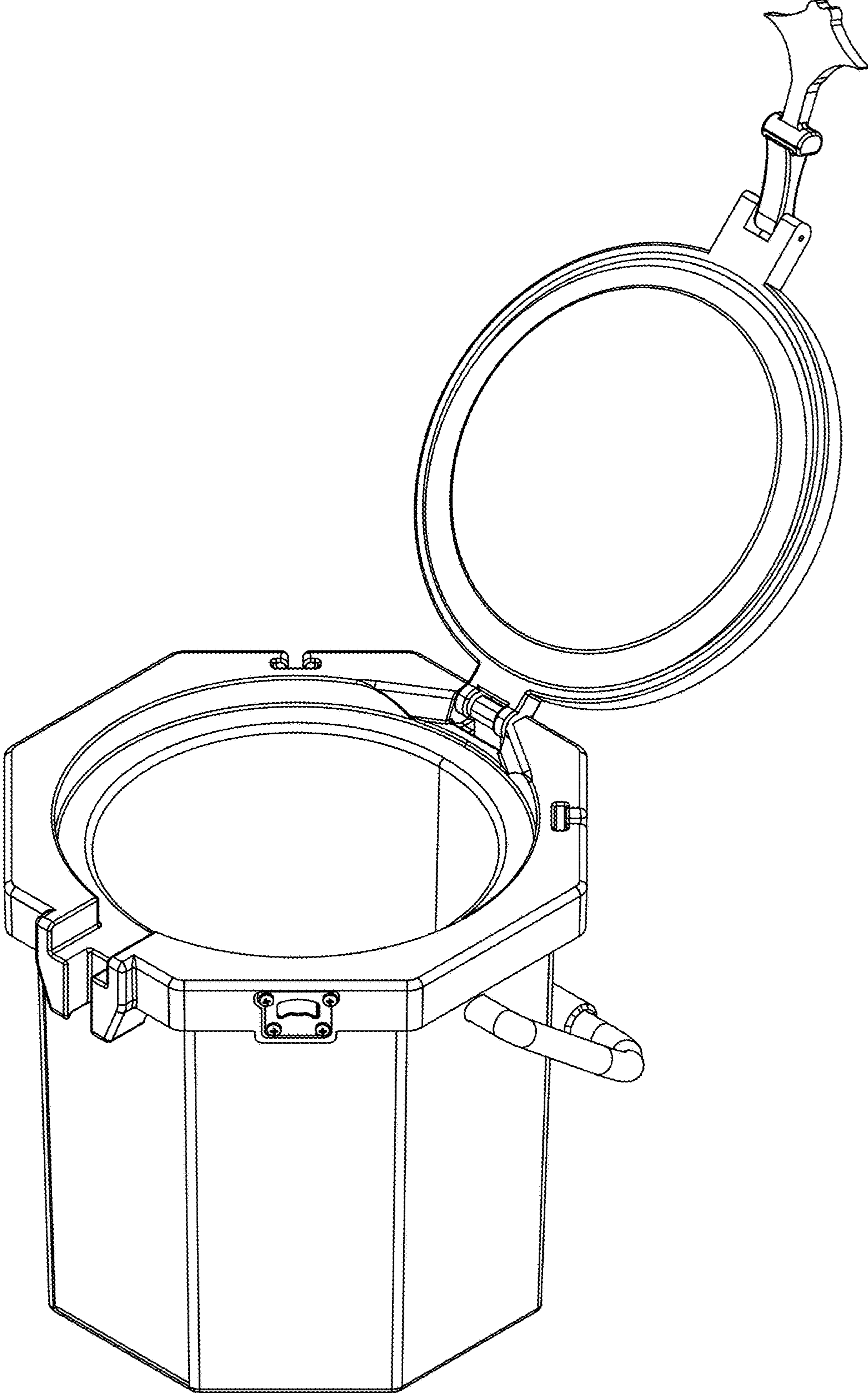


FIG. 8