



US00D831434S

(12) **United States Design Patent** (10) **Patent No.:** **US D831,434 S**
Washburn et al. (45) **Date of Patent:** **** Oct. 23, 2018**

(54) **THERMAL BOTTLE**

(71) Applicant: **IGNITE USA, LLC**, Chicago, IL (US)

(72) Inventors: **Bryan Washburn**, Buffalo Grove, IL (US); **Jeff Chiu**, Chicago, IL (US)

(73) Assignee: **IGNITE USA, LLC**, Chicago, IL (US)

(**) Term: **15 Years**

(21) Appl. No.: **29/588,045**

(22) Filed: **Dec. 16, 2016**

(51) **LOC (11) Cl.** **07-01**

(52) **U.S. Cl.**
USPC **D7/608**; D7/509

(58) **Field of Classification Search**
USPC D7/509–511, 603–608; D9/500–504,
D9/549, 559, 574, 575
CPC A47G 19/2205; A47G 2019/2294; A47J
41/02; A47J 41/0077; A47J 41/0072;
B65D 81/3823; B65D 1/0215
See application file for complete search history.

(56) **References Cited**

U.S. PATENT DOCUMENTS

2,889,065	A *	6/1959	Lawlor	A45D 34/02 215/12.1
2,963,187	A *	12/1960	Bramming	A47J 41/02 215/12.1
D429,118	S	8/2000	Hurlbut		
D490,654	S	6/2004	Allen et al.		
D507,458	S	7/2005	Allen et al.		
D572,981	S	7/2008	Carreno		
D702,092	S *	4/2014	Mettler	D7/608
D709,734	S *	7/2014	Kotani	D7/608
D730,696	S	6/2015	Nemeth et al.		

FOREIGN PATENT DOCUMENTS

EP	0147165	A2	7/1985
JP	S60188537	U	12/1985
JP	S62153918	U	9/1987

OTHER PUBLICATIONS

Classic Foam Insulated Desk Mug—52oz, downloaded from the Internet at: <http://www.bubbabrands.com/water-bottles/classic-foam-insulated-desk-mug---52oz/21.html?dwvar_21_color=Black#sz=51&start=34>.

Classic Foam Insulated Travel Mug6—34oz, downloaded from the Internet at: <http://www.bubbabrands.com/mugs/classic-foam-insulated-travel-mug---34oz/25.html?dwvar_25_color=Black#sz=51&start=45>.

Color Photograph of Stanley 1.1-Quart Classic Vacuum Bottle.
Color Photograph of Stanley Classic 1.4-Quart Vacuum Bottle.

(Continued)

Primary Examiner — Terry A Wallace

(74) *Attorney, Agent, or Firm* — Marshall, Gerstein & Borun LLP

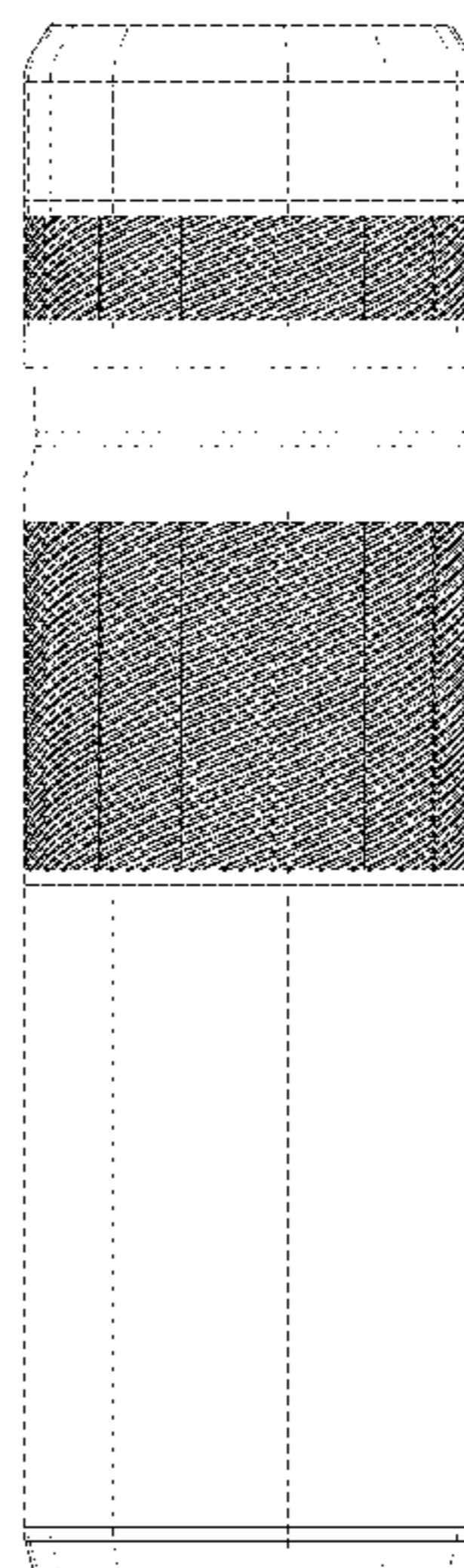
(57) **CLAIM**

The ornamental design for a thermal bottle, as shown and described.

DESCRIPTION

FIG. 1 is a top perspective view of a thermal bottle according to the new design.
FIG. 2 is a front view of the thermal bottle shown in FIG. 1;
FIG. 3 is a back view of the thermal bottle shown in FIG. 1;
FIG. 4 is a left side view of the thermal bottle shown in FIG. 1;
FIG. 5 is a right side view of the thermal bottle shown in FIG. 1;
FIG. 6 is a top view of the thermal bottle shown in FIG. 1;
and,
FIG. 7 is a bottom view of the thermal bottle shown in FIG. 1.
The broken lines are for unclaimed subject matter.

1 Claim, 7 Drawing Sheets



(56)

References Cited

OTHER PUBLICATIONS

Color photograph of THERMOcafe™ by Thermos, 1.3 qt Vacuum Insulated Stainless Steel Bottle.

Competitive Bottles, Applicant's internal files.

OXO Good Grips Stainless Steel Double Wall Thermal Beverage Container, downloaded from the Internet at: <<https://www.oxo.com/products/beverage/travel-mugs/stainless-steel-double-wall-thermal-beverage-container-24oz>>.

Stainless King™ Vacuum Insulated 24 oz Food Jar in Matte Black, downloaded from the Internet at: <<http://www.thermos.com/products/stainless-king-vacuum-insulated-24-oz-food-jar-in-matte-black.aspx>>.

Thermos 61 Ounce Vacuum Insulated Beverage Bottle with Folding Handle, Stainless Steel, downloaded from the Internet at: <https://www.amazon.com/Thermos-Insulated-Beverage-Folding-Stainless/dp/B00JQUXS4A>.

Thermos Stainless King 40 Ounce Beverage Bottle, downloaded from the Internet at: <<https://www.amazon.com/Thermos-Stainless-Beverage-Bottle-Midnight/dp/B0017IHRNM?th=1>>.

Thermos Vacuum Insulated Food/Beverage Bottle, downloaded from the Internet at: <https://www.amazon.com/Thermos-Vacuum-Insulated-Stainless-Bottle/dp/B00JDZFOXQ/ref=as_li_ss_tl?ie=UTF8&linkCode=s11&tag=kateheavy-20&linkId-cf0b59755acbc0dec157c6ffe3c40158>.

Design U.S. Appl. No. 29/584,374, filed Nov. 14, 2016, "Thermal Bottle".

Design U.S. Appl. No. 29/588,039, filed Dec. 16, 2016, "Thermal Bottle".

U.S. Appl. No. 15/445,050, filed Feb. 28, 2017, "Portable Beverage Container with Robust, Collapsible Handle".

* cited by examiner

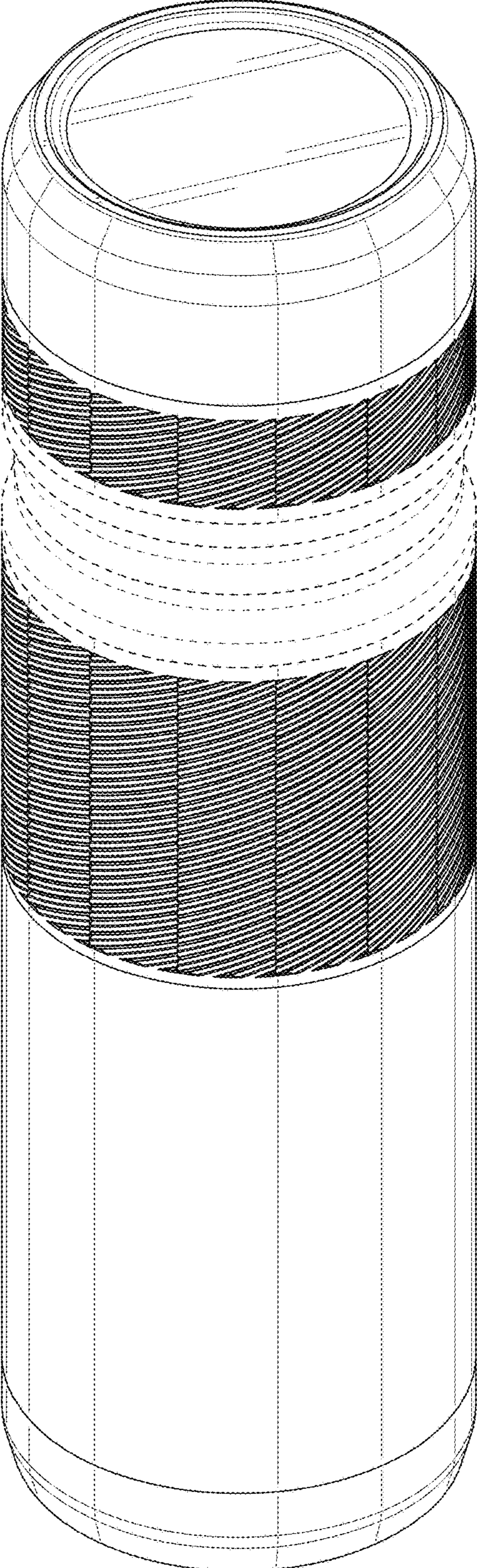


FIG. 1

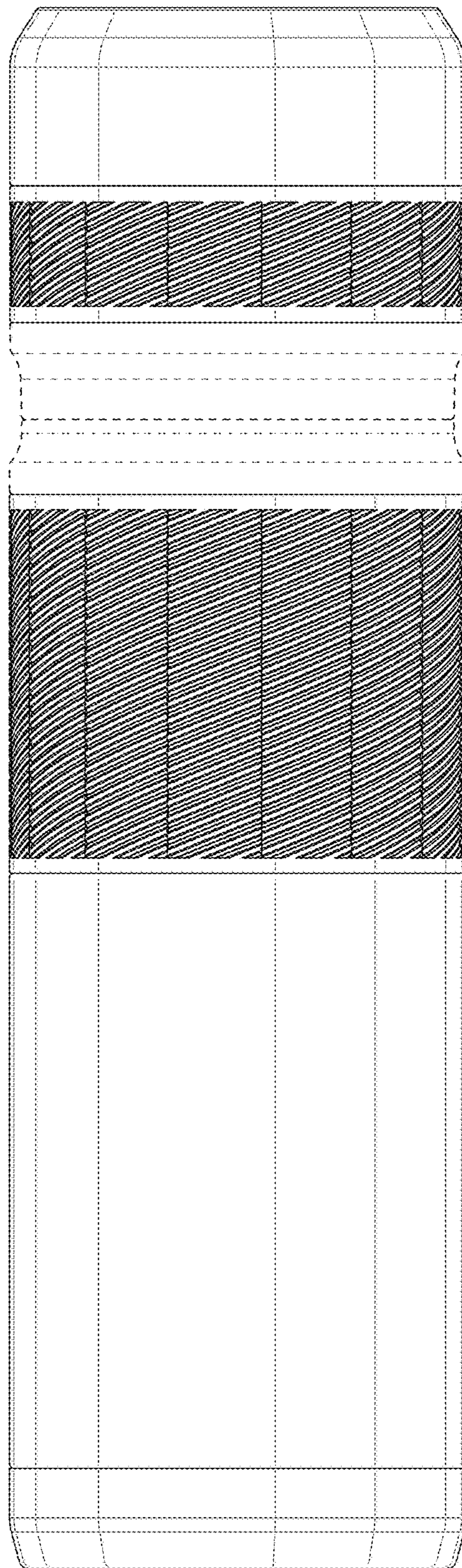


FIG. 2

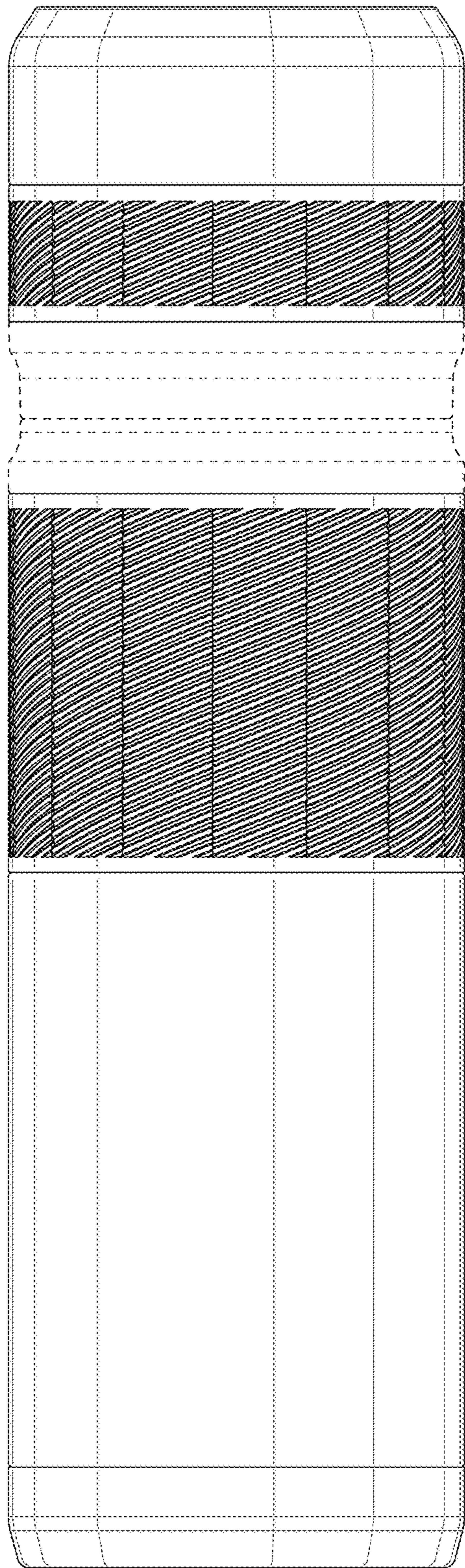


FIG. 3

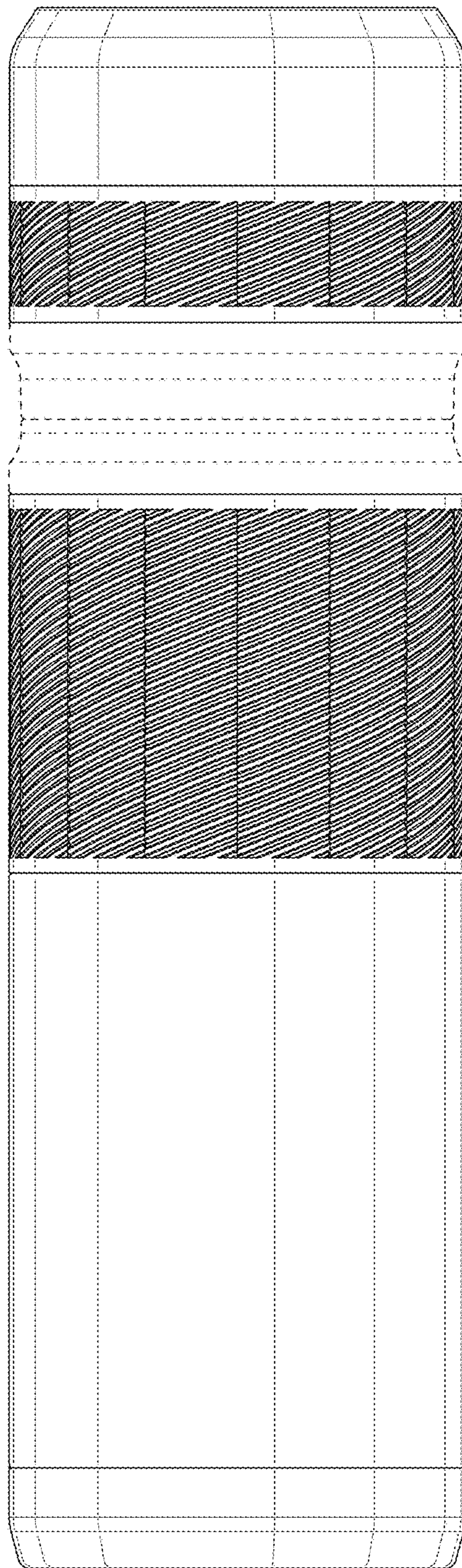


FIG. 4

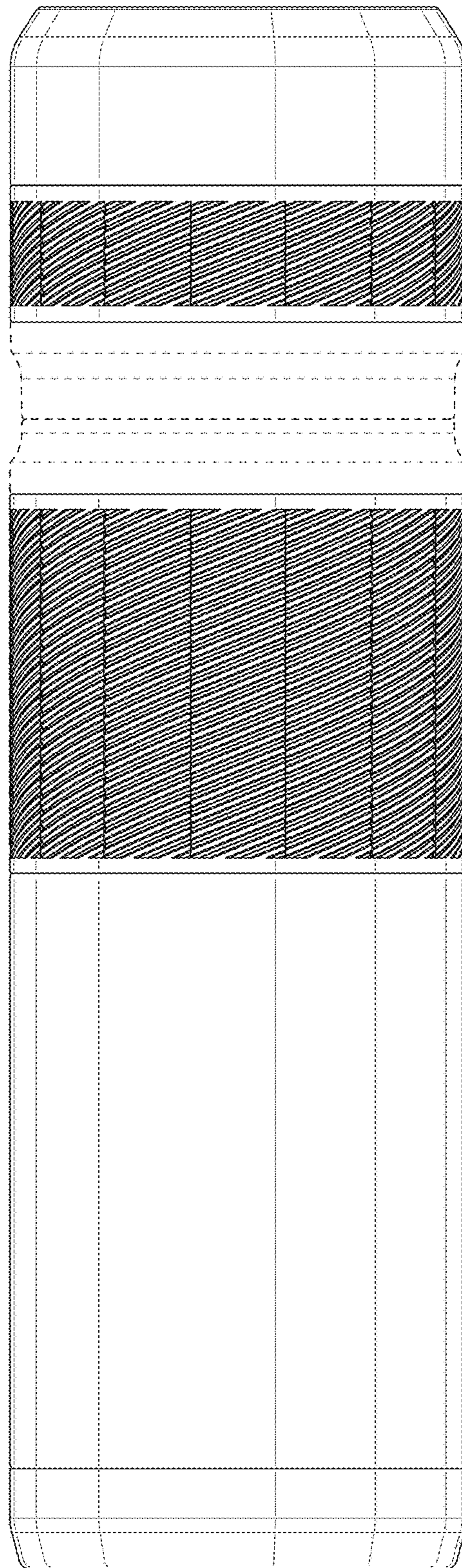


FIG. 5

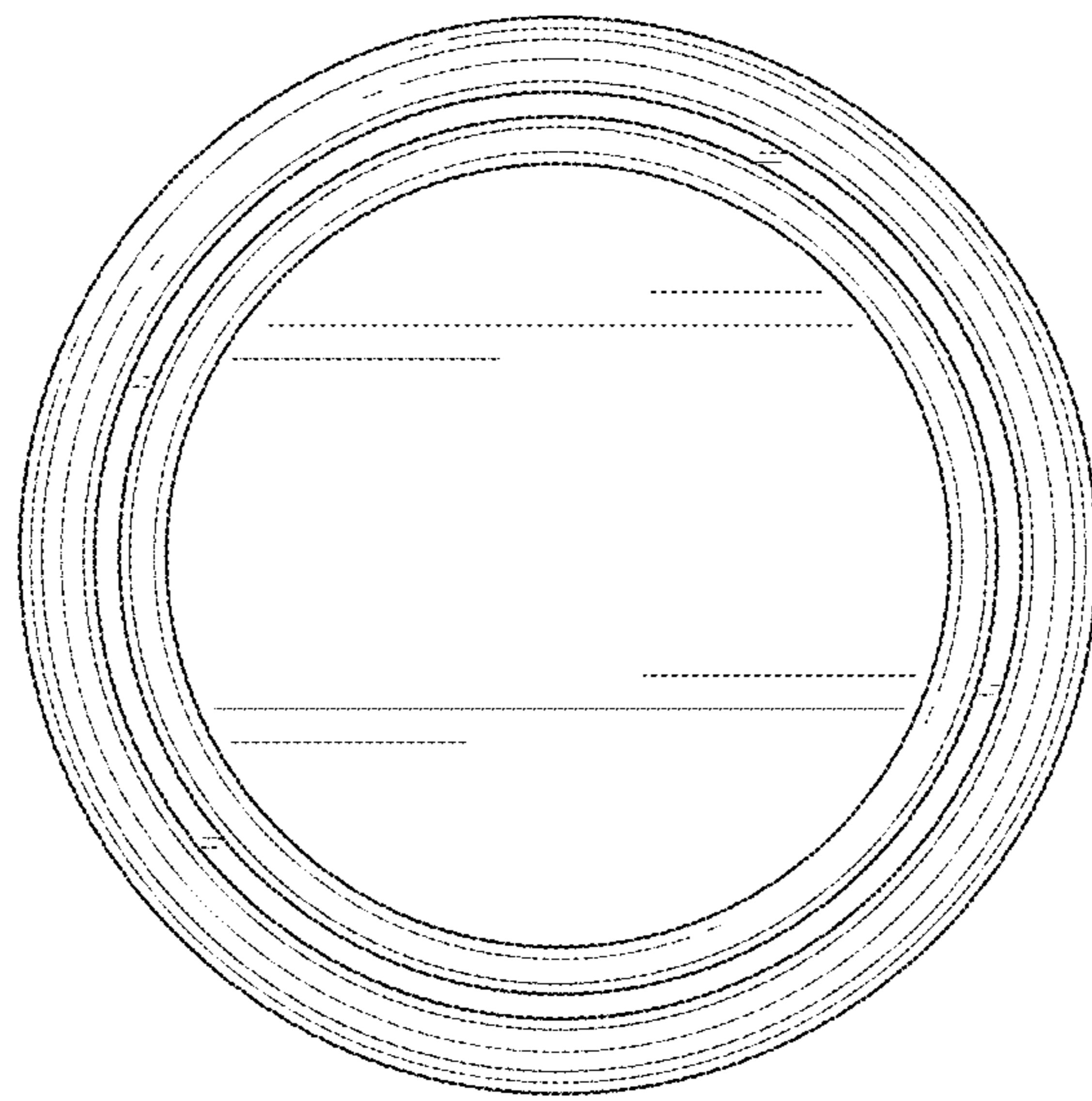


FIG. 6

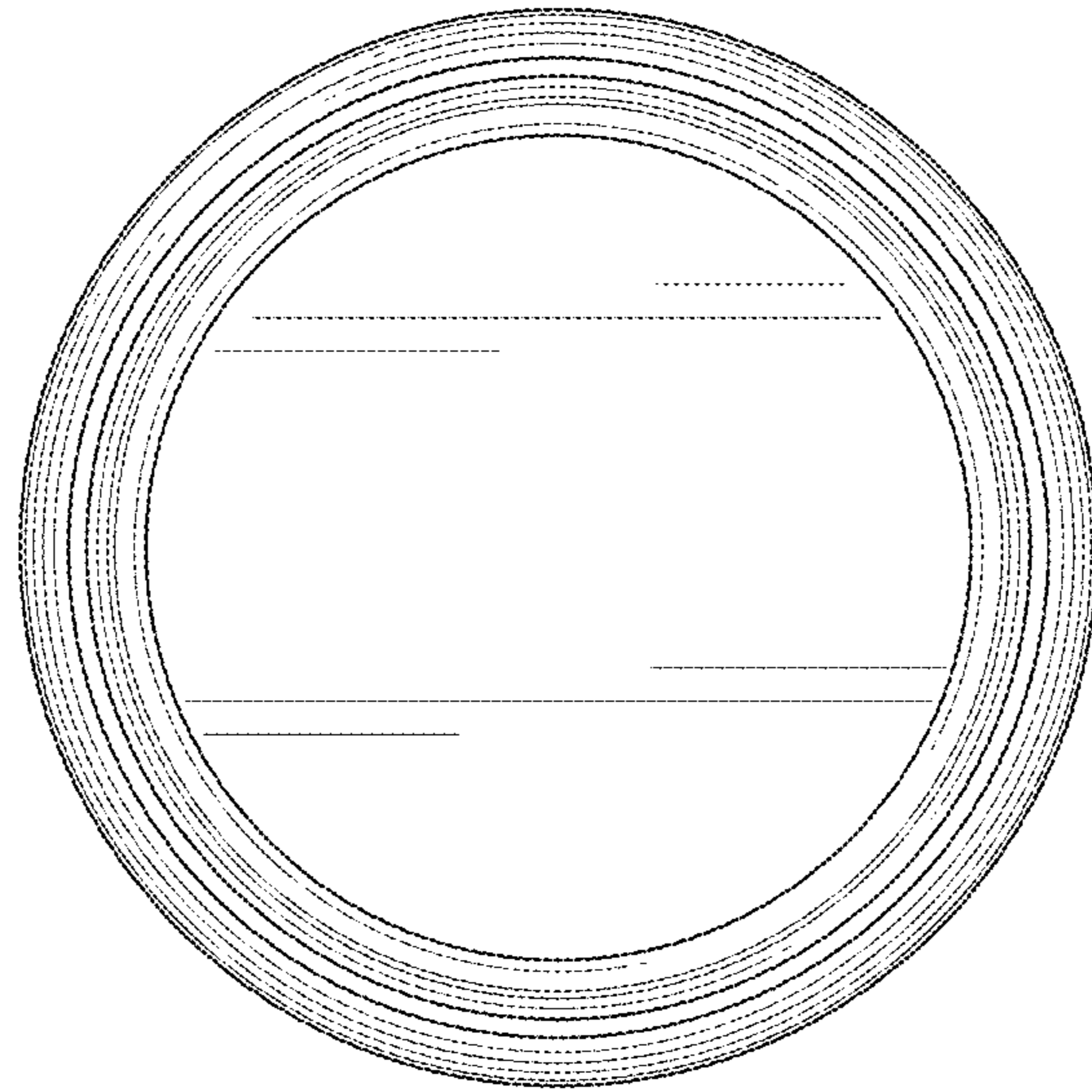


FIG. 7