

US00D831431S

(12) **United States Design Patent**
Orban et al.

(10) **Patent No.:** **US D831,431 S**
(45) **Date of Patent:** **** Oct. 23, 2018**

- (54) **HANGING APPARATUS FOR COOKWARE OR BAKEWARE CLOSURES OR LIDS**
- (71) Applicants: **Christopher Orban**, Poway, CA (US);
Melissa Orban, Poway, CA (US)
- (72) Inventors: **Christopher Orban**, Poway, CA (US);
Melissa Orban, Poway, CA (US)

3,163,385 A * 12/1964 Lazan, Jr. A47J 47/16
24/336
4,333,623 A * 6/1982 May B05C 17/00523
248/117.2
5,127,616 A * 7/1992 Carney A47J 47/16
211/41.11
8,740,159 B2 * 6/2014 Braun A47J 43/287
211/41.11

(**) Term: **15 Years**

(21) Appl. No.: **29/617,063**

(22) Filed: **Sep. 11, 2017**

(51) **LOC (11) Cl.** **07-99**

(52) **U.S. Cl.**
USPC **D7/601; D7/637**

(58) **Field of Classification Search**
USPC D7/601, 637-341, 708.1, 620, 387, 213;
D8/349, 354, 380, 382, 400, 499
CPC A47J 43/287; A47J 47/16; A47J 36/12;
A47J 36/128; A47J 36/101; A47J 36/06;
A47J 27/08; A47G 21/14; A47G 21/145;
F16B 19/008; F16B 43/001; F16B 45/00;
F16B 13/005; F16B 13/02
See application file for complete search history.

(56) **References Cited**

U.S. PATENT DOCUMENTS

1,928,995 A * 10/1933 De Biasi A47J 36/12
220/735
2,746,702 A * 5/1956 Gourley A61J 9/0684
220/830

* cited by examiner

Primary Examiner — Terry A Wallace
(74) *Attorney, Agent, or Firm* — Buche & Associates,
P.C.; John K. Buche; Bryce A. Johnson

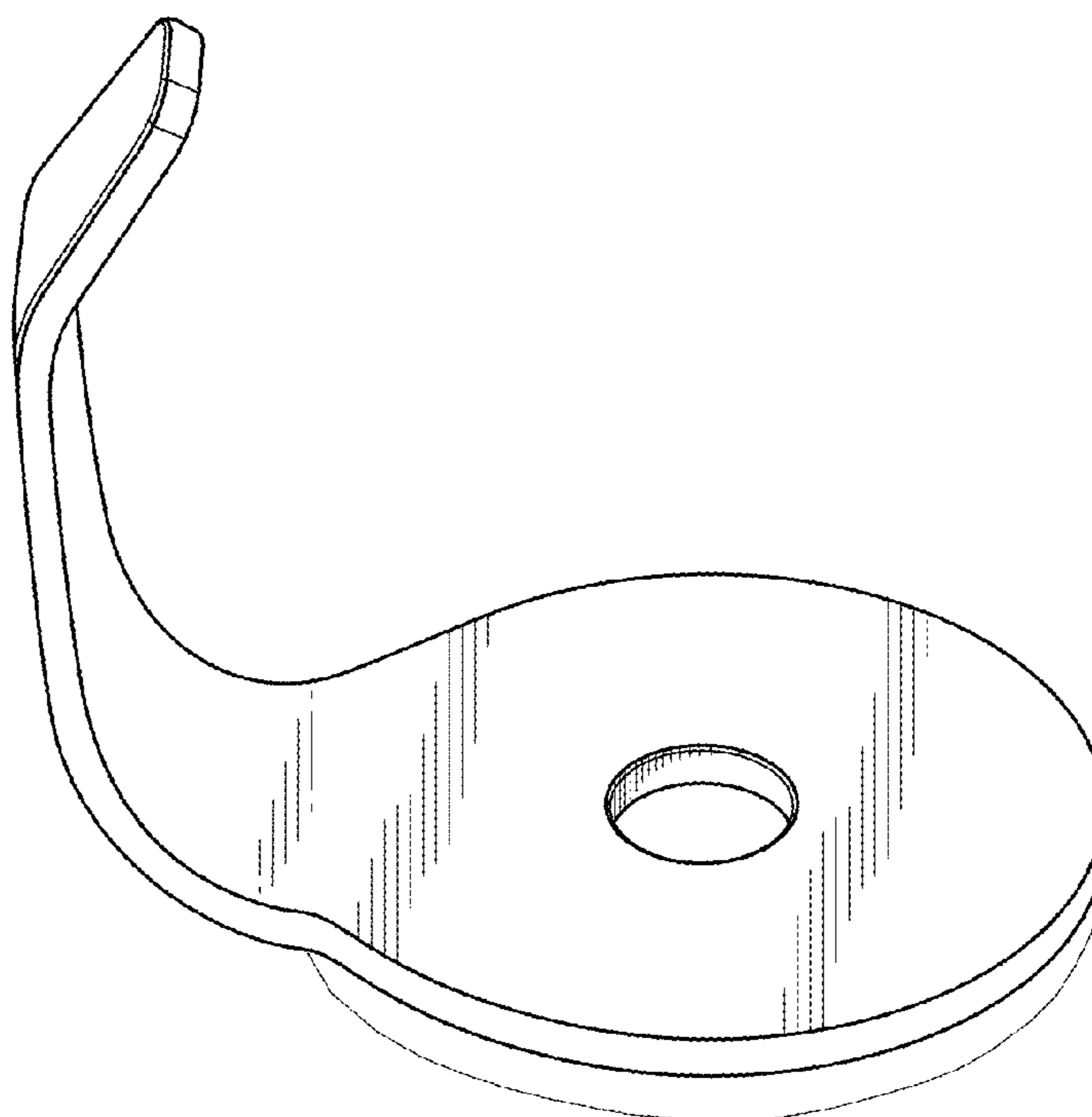
(57) **CLAIM**

The ornamental design for a hanging apparatus for cookware or bakeware closures or lids, as shown and described.

DESCRIPTION

FIG. 1 is a perspective view of the disclosed hanging apparatus for cookware or bakeware closures or lids; FIG. 2 is a front view of the apparatus of FIG. 1; FIG. 3 is a rear view of the apparatus of FIG. 1; FIG. 4 is a right side view of the apparatus of FIG. 1; FIG. 5 is a left side view of the apparatus of FIG. 1; FIG. 6 is a top view of the apparatus of FIG. 1; FIG. 7 is a bottom view of the apparatus of FIG. 1; and, FIG. 8 is an environmental view of the apparatus of FIG. 1 installed on an exemplary closure or lid of typical cookware/bakeware containers, where the broken lines illustrate the closure or lid and the typical cookware/bakeware containers. Broken lines illustrate environmental features and form no part of the claimed design.

1 Claim, 4 Drawing Sheets



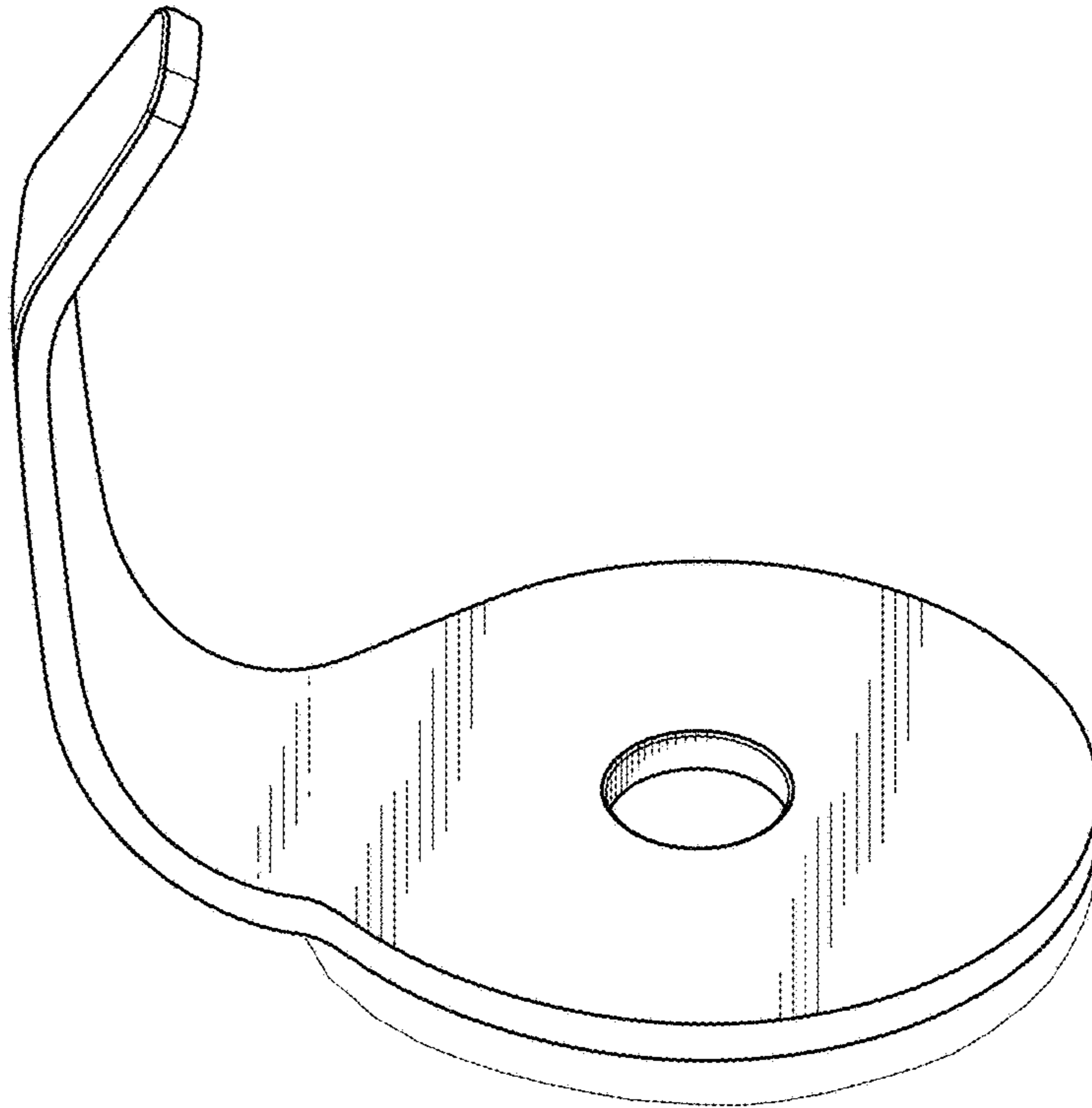


FIG. 1

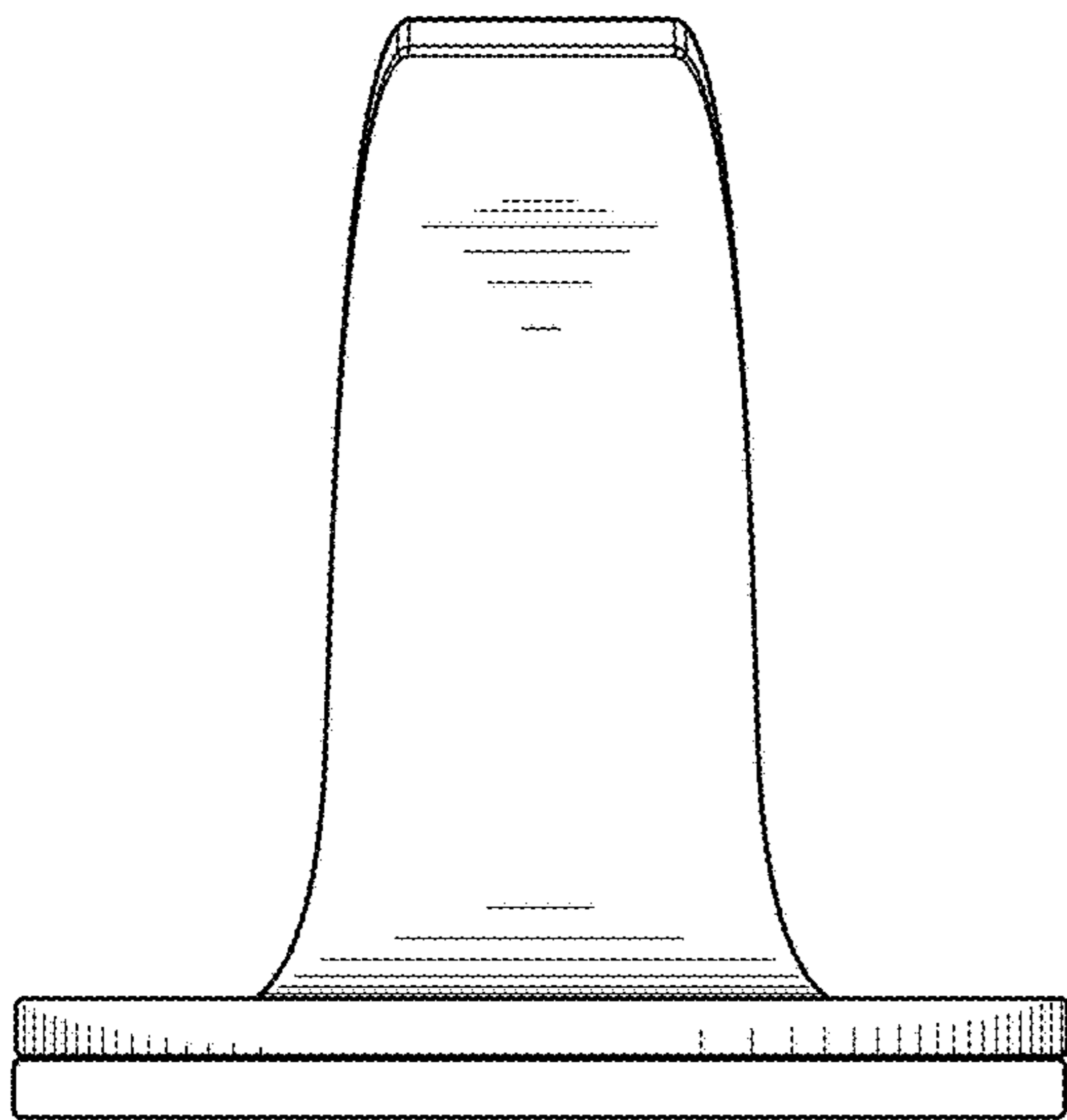


FIG. 2

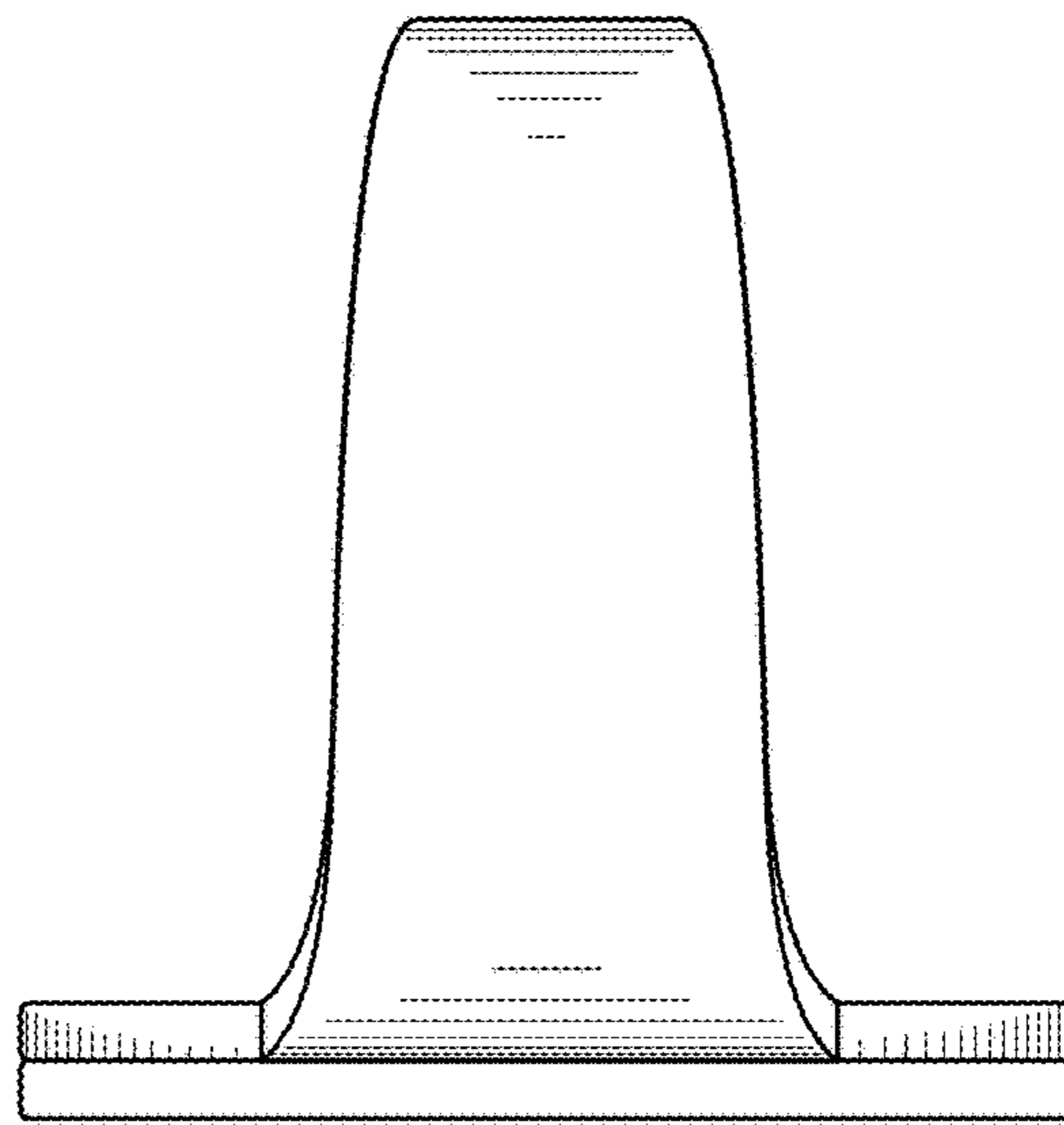


FIG. 3

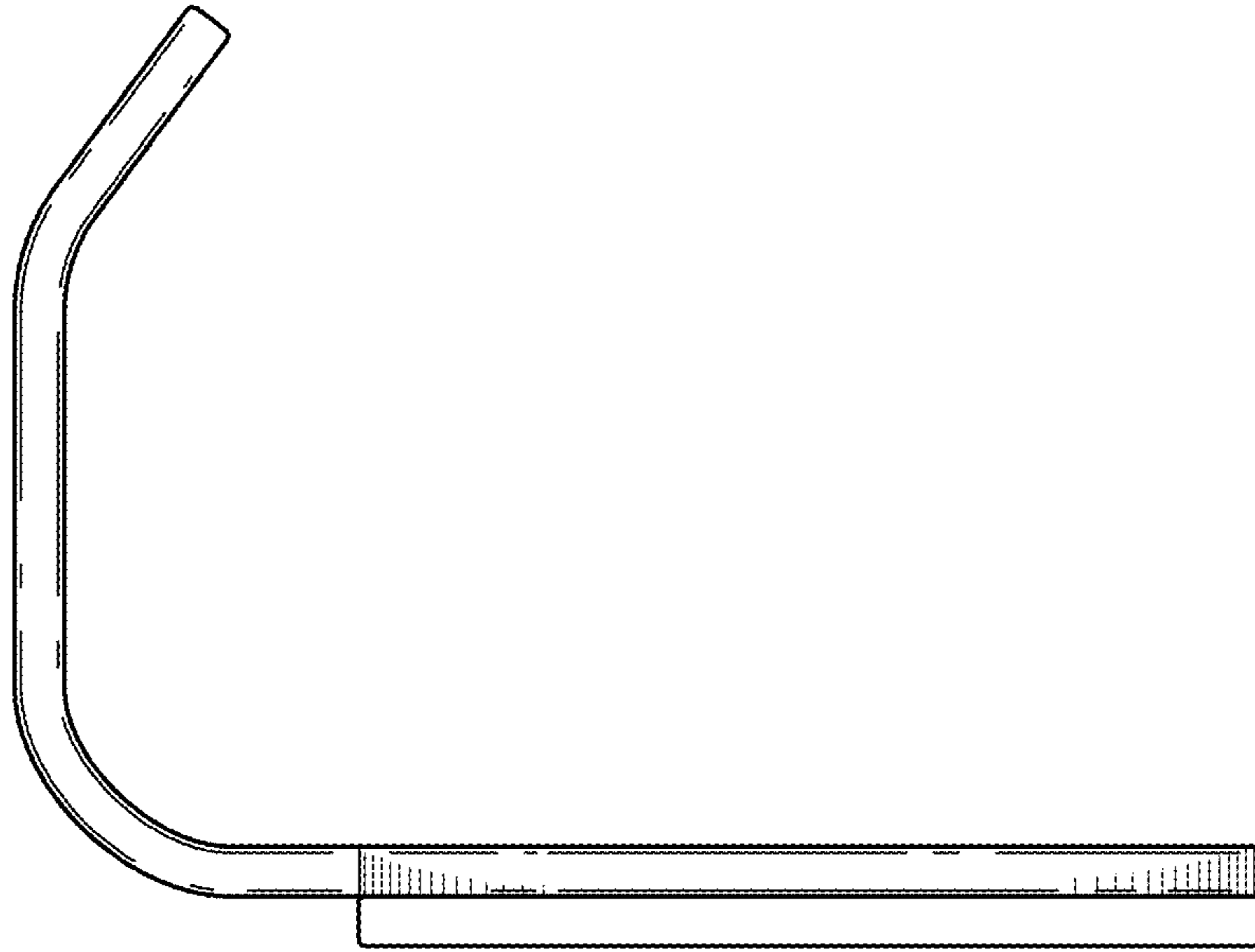


FIG. 4

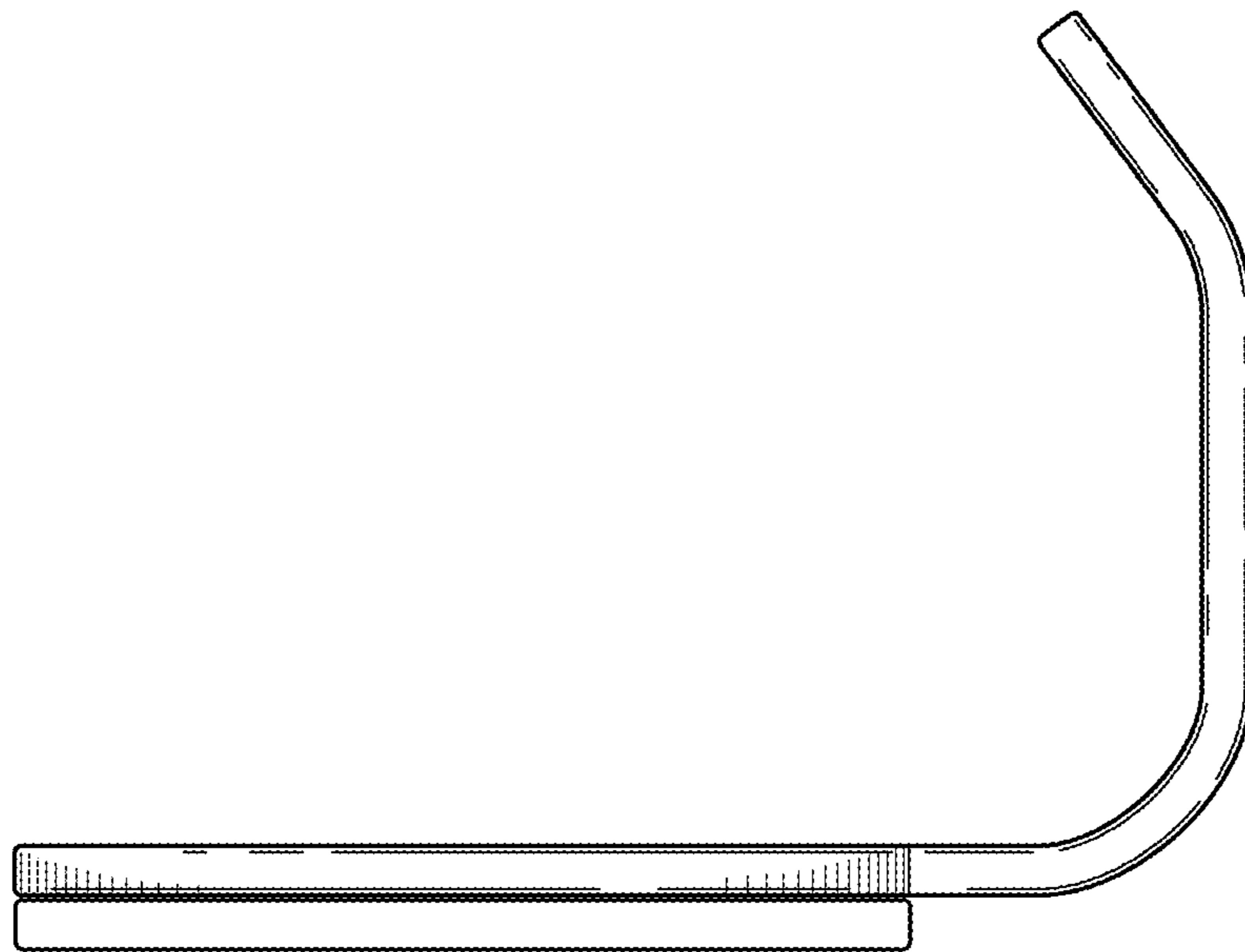


FIG. 5

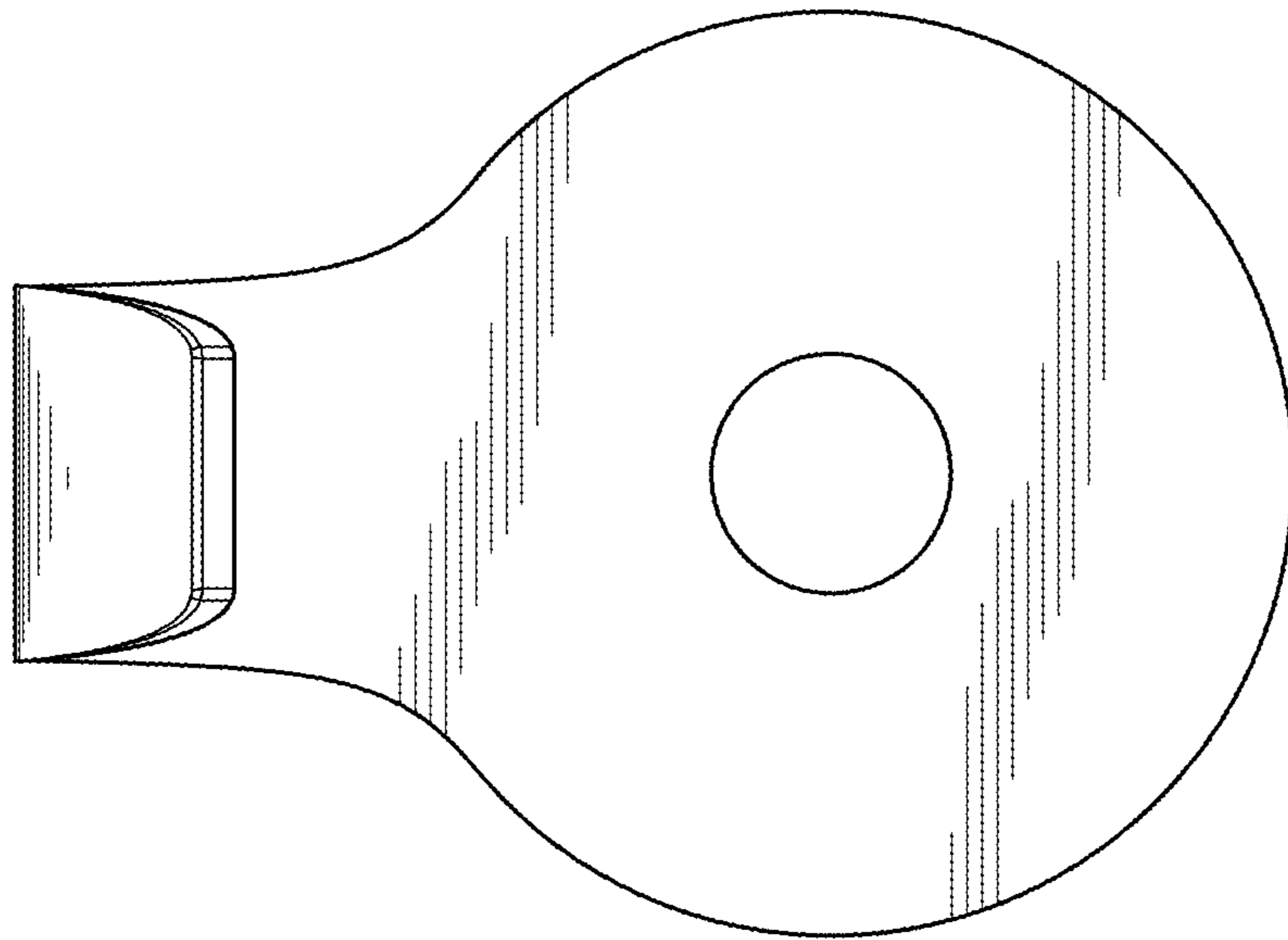


FIG. 6

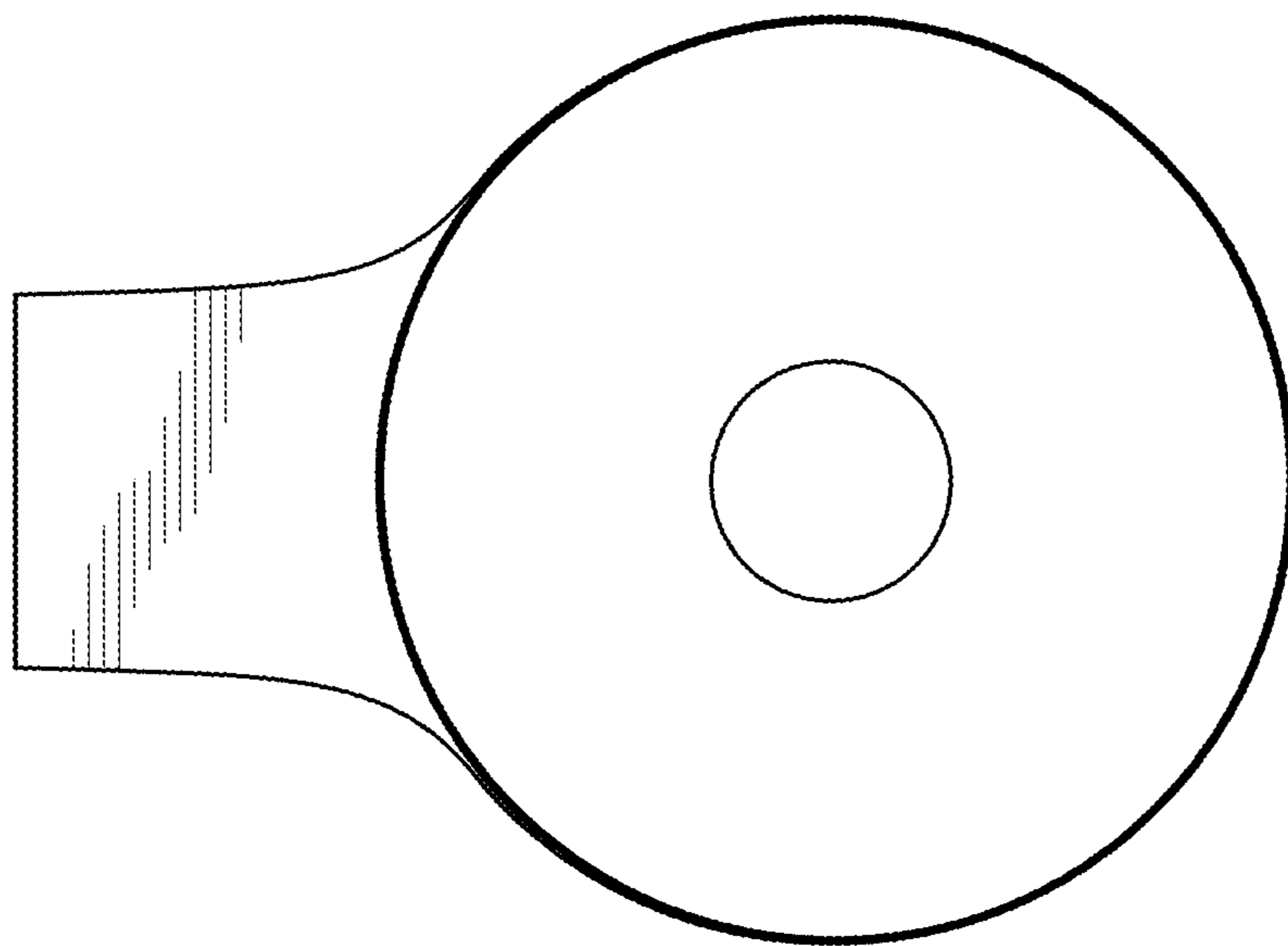


FIG. 7

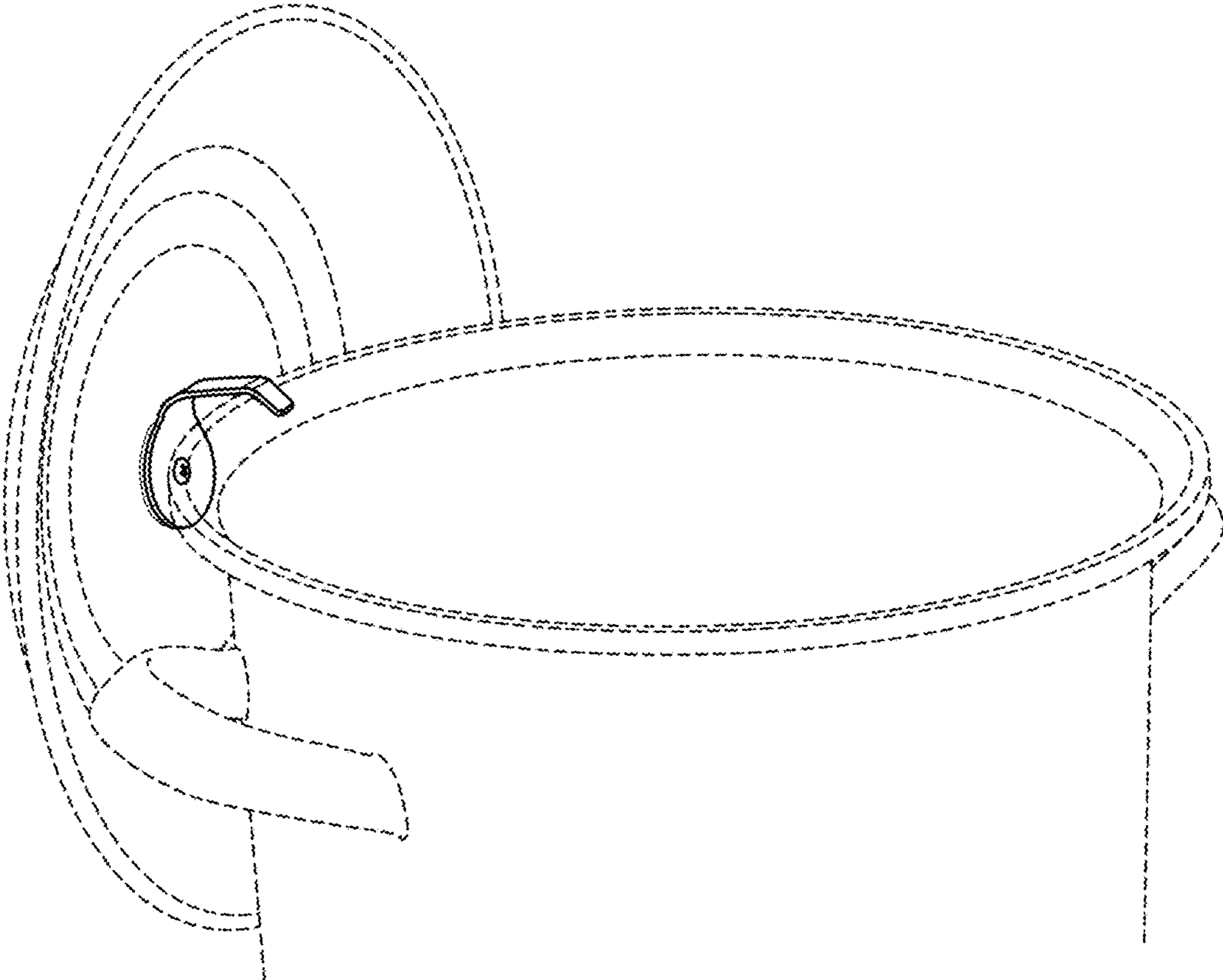


FIG. 8