



US00D831430S

(12) **United States Design Patent**
Hertaus

(10) **Patent No.:** **US D831,430 S**
(45) **Date of Patent:** **** Oct. 23, 2018**

(54) **TRAY HOLDER WITH DRAWER EXTENDED**

(71) Applicant: **Vision Home Products, Inc.**, Le Sueur, MN (US)

(72) Inventor: **Alan Hertaus**, Le Sueur, MN (US)

(73) Assignee: **Vision Home Products, Inc.**, Le Sueur, MN (US)

(**) Term: **15 Years**

(21) Appl. No.: **29/576,434**

(22) Filed: **Sep. 2, 2016**

(51) **LOC (11) Cl.** **07-99**

(52) **U.S. Cl.**
USPC **D7/600.1**

(58) **Field of Classification Search**
USPC ... D7/600, 600.1-600.4, 392, 397, 589, 590, D7/596, 597, 601, 602, 609, 610, 612, D7/614, 615, 620-623, 628-632, D7/637-641, 701-708, 708.1, 709, 710; D3/304-315, 317, 319, 302, 316; D6/559, 560, 566, 567, 570, 571, 573, D6/574, 512, 705, 705.1, 705.2, 705.3, D6/705.4, 705.5, 705.6, 705.7, 706, 707, D6/707.1, 707.19, 707.15, 627, 628, 629, D6/631, 654, 654.11, 654.12, 654.13, D6/654.14, 654.15, 654.18, 654.19, 654.2, D6/654.22, 654.21, 655, 655.11, 655.12, D6/655.13, 655.14, 655.15, 655.17, D6/655.18, 655.19, 655.2, 655.22, 655.23, D6/691.9, 692.4, 692.5, 693.1, 693.2, D6/677, 677.1, 677.2, 677.5, 678.4, D6/708.2, 668.1; D19/75, 77, 78, 83, 86, D19/92; 206/511, 557, 560, 510, 513, 206/503, 566, 563, 564; 211/1, 10, 13.1, 211/69.1, 69.5, 70, 70.1, 70.6, 74, 77, 78, 211/85.1, 85.2, 85.4, 85.5, 85.31, 126.9, 211/126.11, 126.15, 129.1, 131.1, 133.2,

211/133.4, 134, 133.5, 133.6, 181.1, 182; 312/323, 330.1, 334.1, 334.27, 408, 410, 312/334.44, 325, 326, 327, 332.1, 333; 220/485, 493, 491
CPC A45D 33/22; B65D 2203/00; B65D 7/20; B65D 83/00; B65D 21/00; B65D 85/305; B65D 85/30; A47G 7/02; A47B 88/00; A47B 88/0003; A47B 88/0007; A47B
(Continued)

(56) **References Cited**

U.S. PATENT DOCUMENTS

3,405,810 A * 10/1968 Rogus B65D 21/048
206/507
D307,033 S * 4/1990 Kirchner D18/59
(Continued)

Primary Examiner — Shannon Weekley Morgan
(74) *Attorney, Agent, or Firm* — Haugen Law Firm PLLP

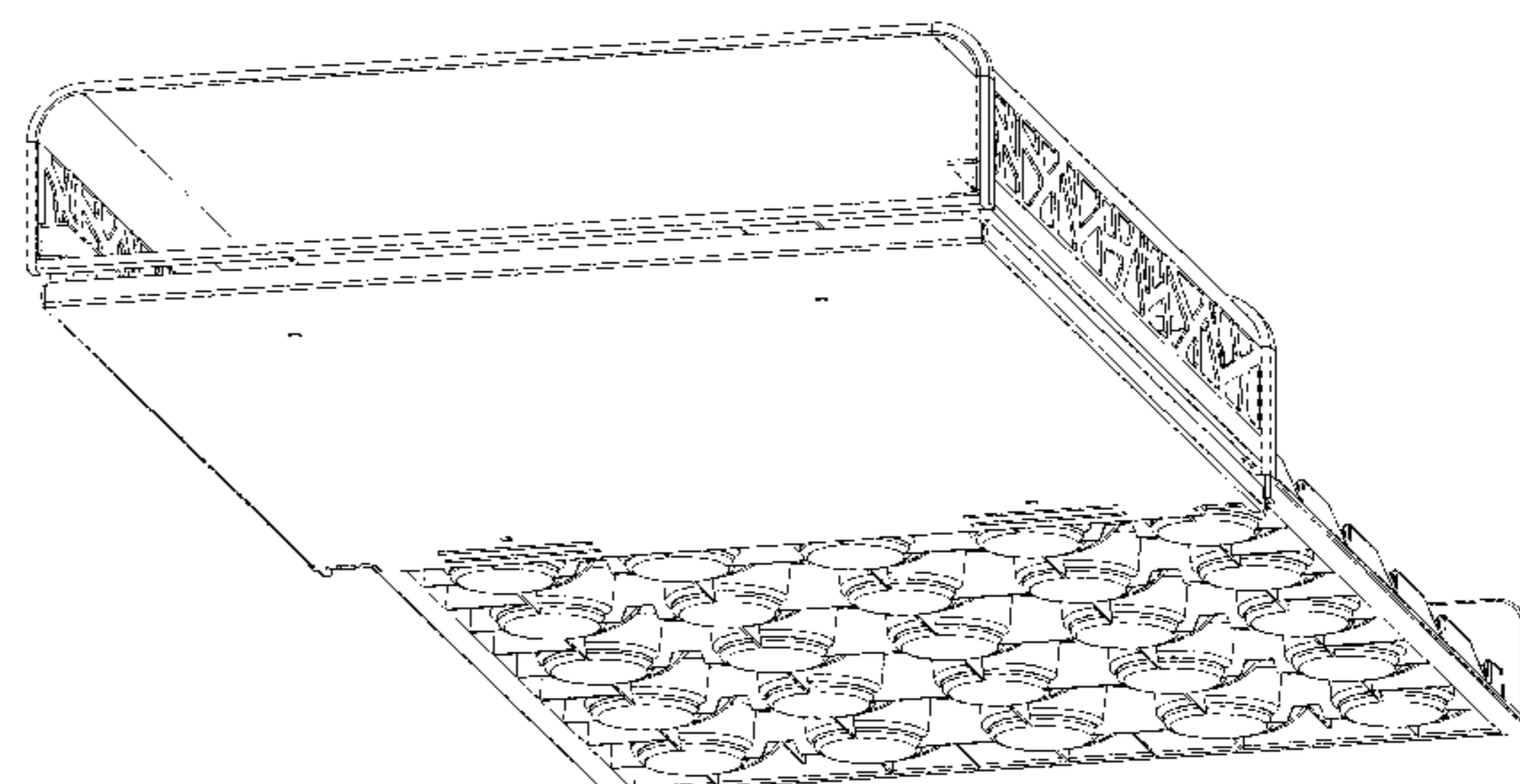
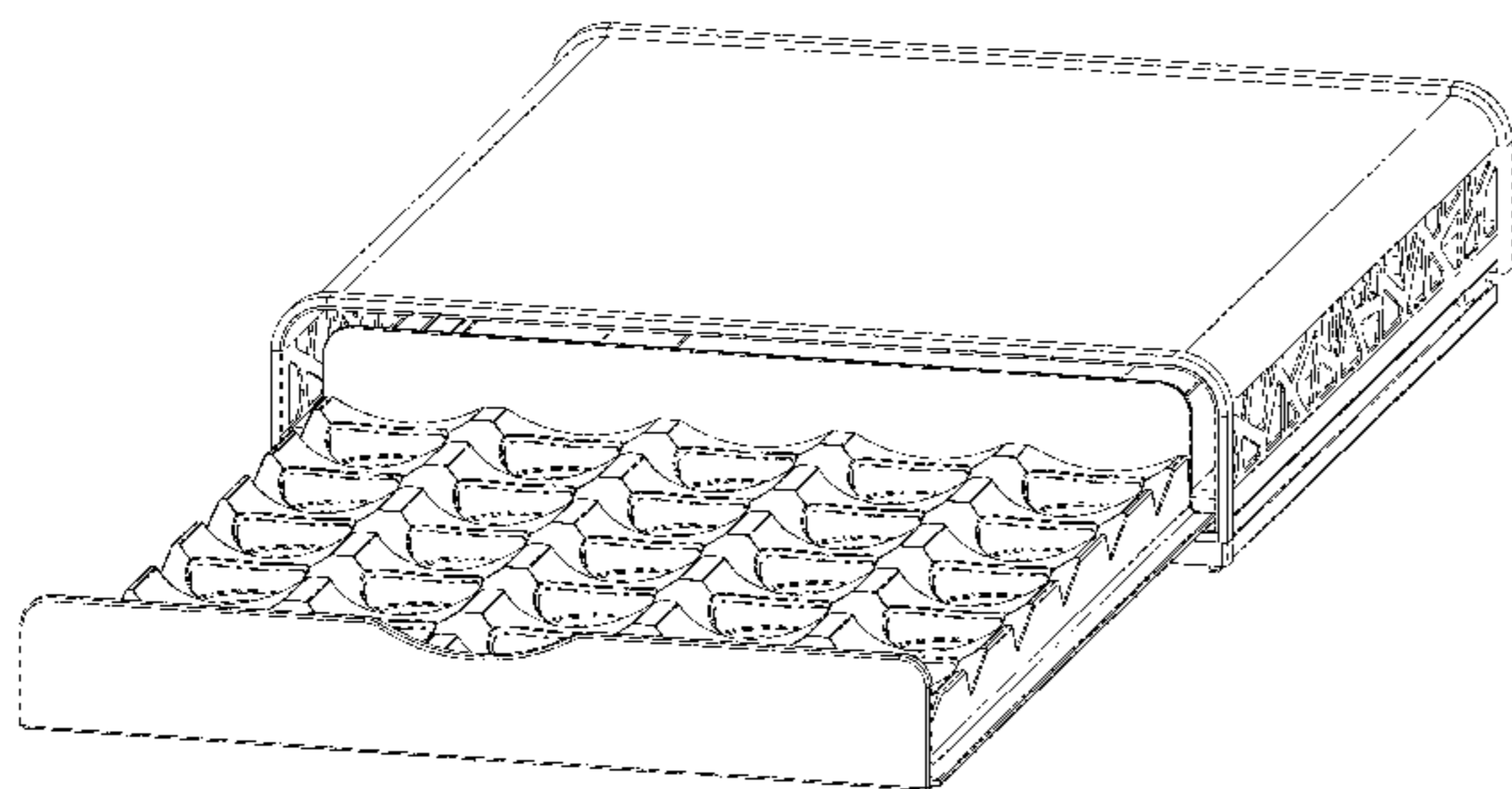
(57) **CLAIM**

The ornamental design for a tray holder with drawer extended, as shown and described.

DESCRIPTION

FIG. 1 is a front top right-side perspective view of the tray holder with drawer extended of the present invention; FIG. 2 is a front view thereof; FIG. 3 is a back view thereof; FIG. 4 is a left side view thereof; FIG. 5 is a right side view thereof; FIG. 6 is a top view thereof; FIG. 7 is a bottom view thereof; and, FIG. 8 is a bottom back left perspective view thereof. The long dash, short dash broken lines in FIGS. 1 and 6 depict boundary lines and the areas within form no part of the claimed design. The remaining short dash, short dash broken lines depict portions of the article that form no part of the claimed design. None of the broken lines form part of the claimed design.

1 Claim, 8 Drawing Sheets



(58) **Field of Classification Search**

CPC ... 88/0014; A47B 88/20; A47B 88/202; A47B 88/04; A47B 88/0466; A47B 88/0418; A47B 81/007; A47B 2088/0444; A47J 31/3642; A47J 47/16; A47J 47/00; A47J 31/44; A47J 31/36

See application file for complete search history.

(56) **References Cited**

U.S. PATENT DOCUMENTS

D319,473 S * 8/1991 Aaldenberg D19/86
 D337,127 S * 7/1993 Aaldenberg D19/86
 D479,273 S * 9/2003 Chang D19/86
 D480,111 S * 9/2003 White D19/86
 D628,444 S * 12/2010 Snider D7/600.1
 D628,445 S * 12/2010 Snider D7/600.1
 D644,491 S * 9/2011 Snider D7/600.1
 D659,481 S * 5/2012 Tiemann D7/600.1
 D660,088 S * 5/2012 Tiemann D7/600.1
 D661,951 S * 6/2012 Tiemann D7/600.1
 D665,230 S * 8/2012 Snider D7/600.1
 D665,848 S * 8/2012 Lee D19/92
 D674,213 S * 1/2013 Hertaus D6/663
 D676,715 S * 2/2013 Tsai D7/600.1

D679,954 S * 4/2013 Snider D7/600.1
 D680,380 S * 4/2013 Tiemann D7/600.1
 D682,039 S * 5/2013 Tiemann D7/600.4
 D684,404 S * 6/2013 Hertaus D6/705
 D686,464 S * 7/2013 Tiemann D7/600.1
 D688,902 S * 9/2013 Hertaus D6/663
 D692,265 S * 10/2013 Hertaus D6/705.6
 D701,431 S * 3/2014 Tsai D7/600.1
 D701,733 S * 4/2014 Tiemann D7/600.1
 D703,002 S * 4/2014 Tiemann D7/600.1
 D703,003 S * 4/2014 Tiemann D7/600.1
 D703,005 S * 4/2014 Tiemann D7/600.1
 D708,907 S * 7/2014 Tiemann D7/600.1
 D708,909 S * 7/2014 Tiemann D7/600.1
 D734,101 S * 7/2015 Greenspon D7/600.1
 D755,574 S * 5/2016 Lee D7/600.1
 D764,236 S * 8/2016 Hertaus D7/600.1
 D775,830 S * 1/2017 Duvigneau D3/304
 D782,868 S * 4/2017 Lien D14/125
 D787,186 S * 5/2017 Thurbin D3/313
 2014/0069913 A1 * 3/2014 Tsai B65D 7/20
 220/4.01
 2014/0091695 A1 * 4/2014 Sabounjian A47J 31/3642
 312/348.3
 2014/0217876 A1 * 8/2014 Tsai A47B 88/16
 312/334.44

* cited by examiner

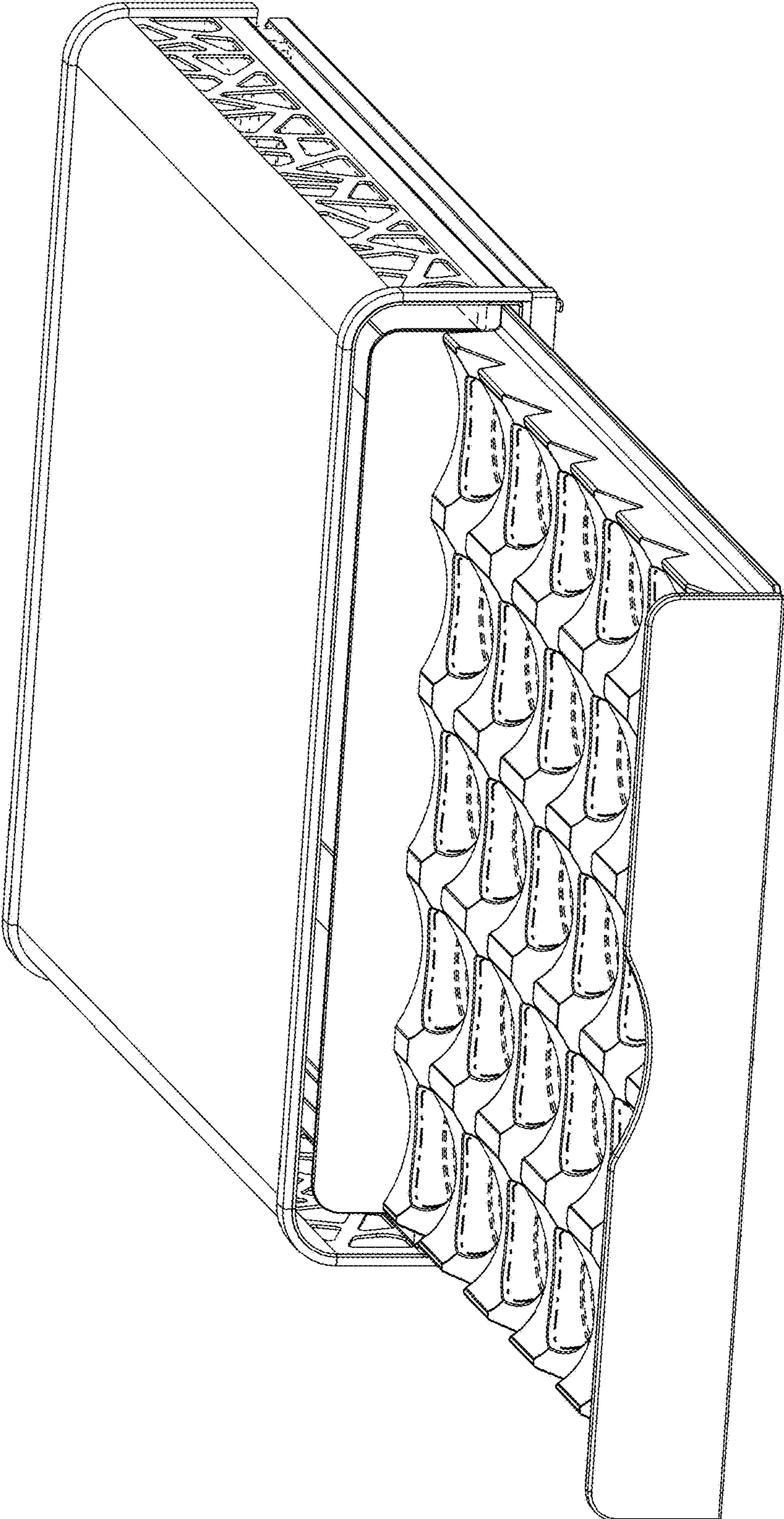


FIG. 1

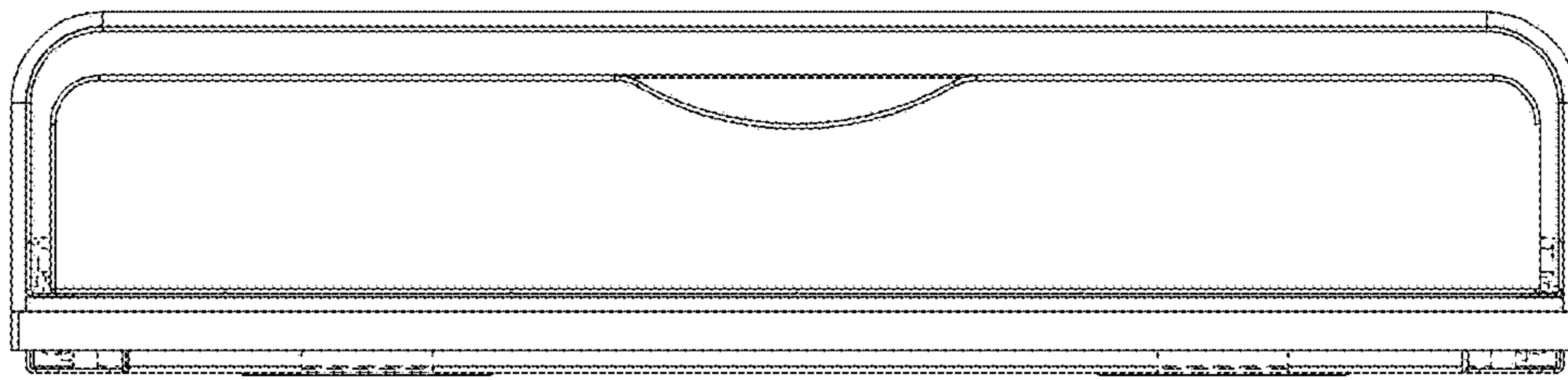


FIG. 2

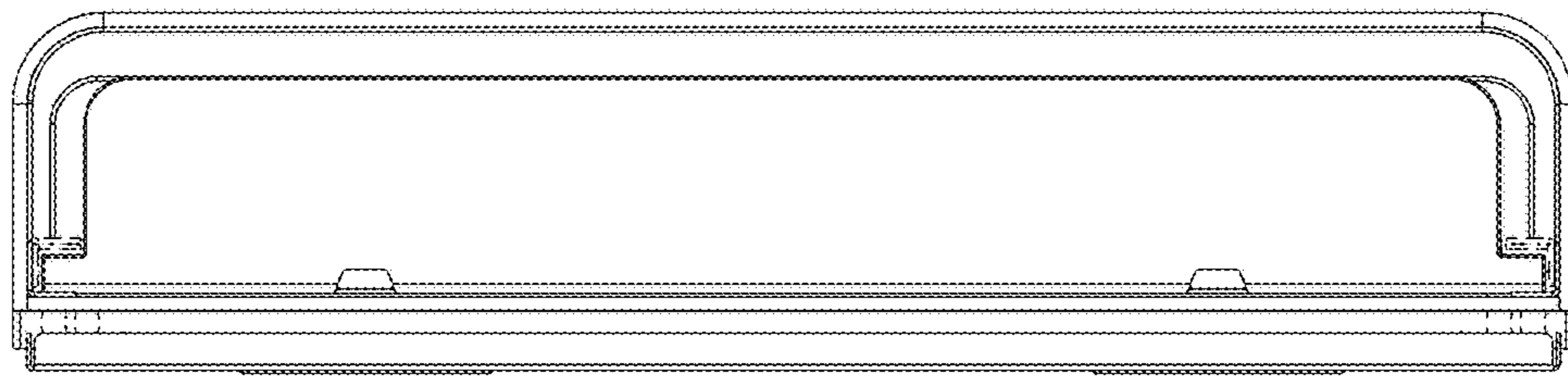


FIG. 3

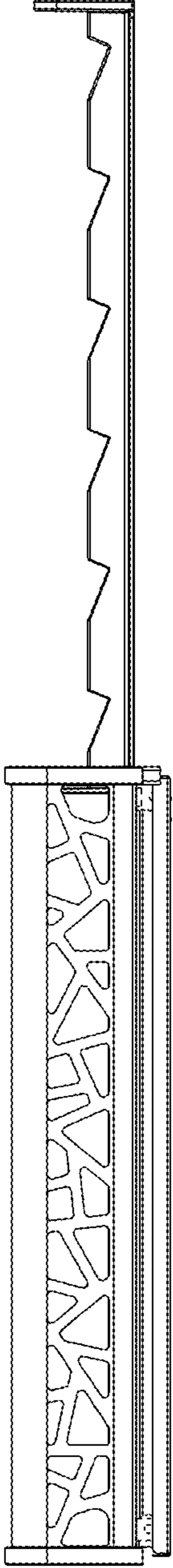


FIG. 4

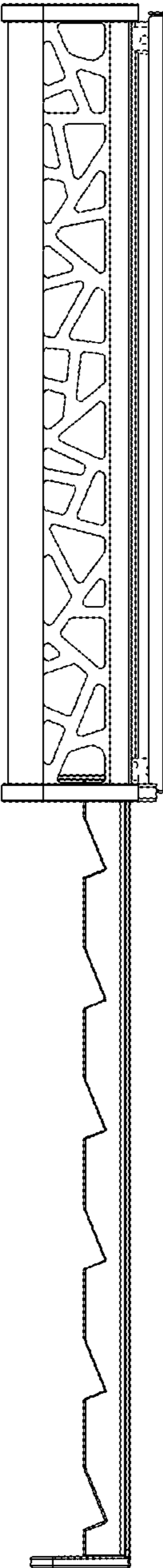


FIG. 5

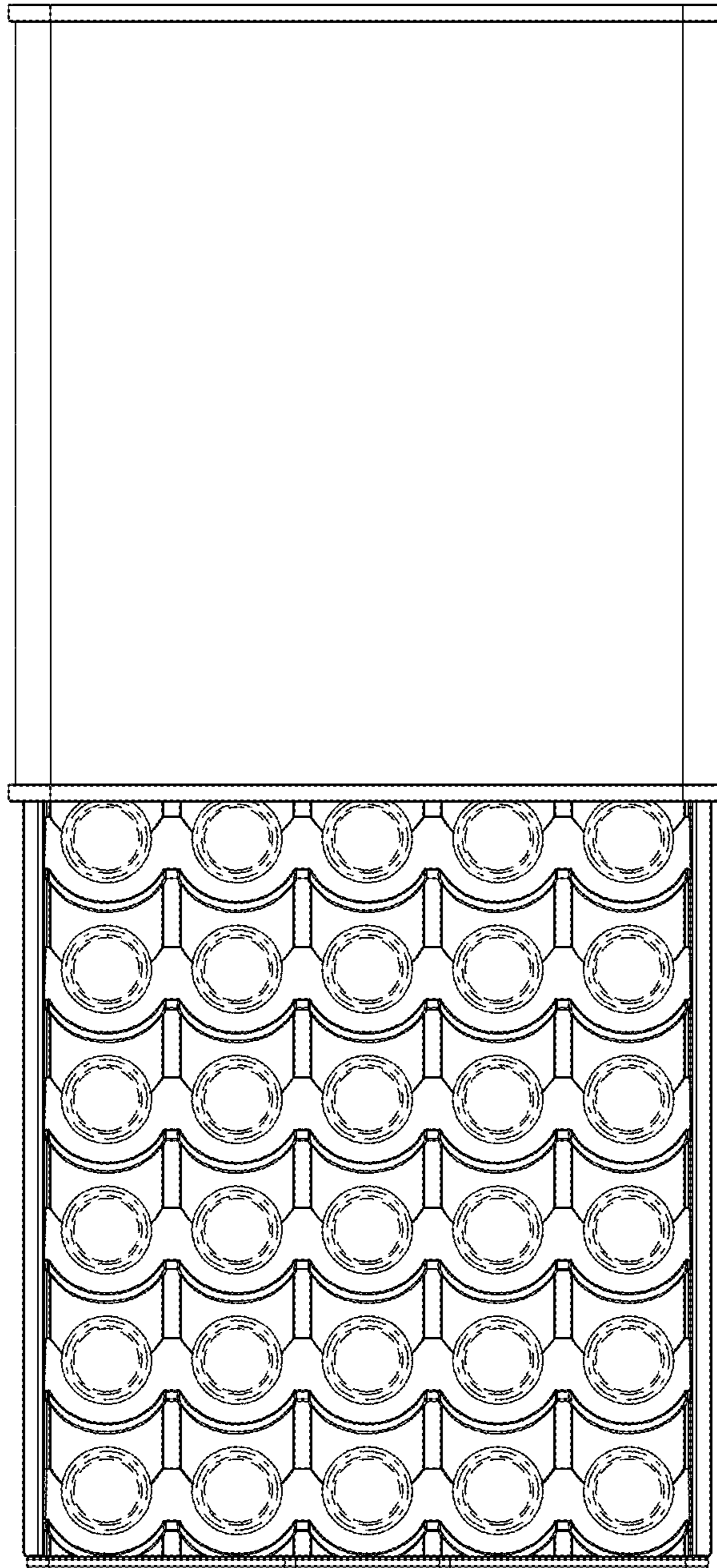


FIG. 6

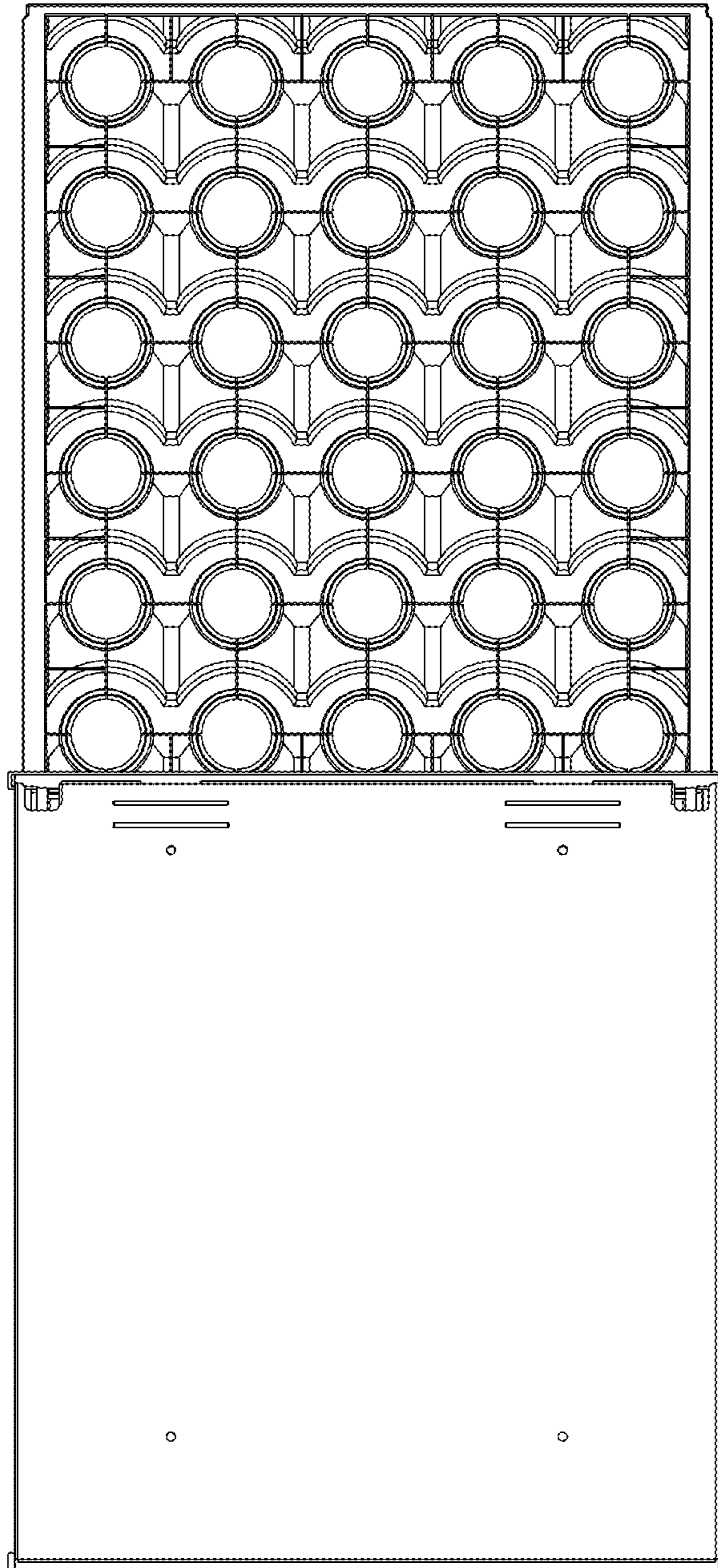


FIG. 7

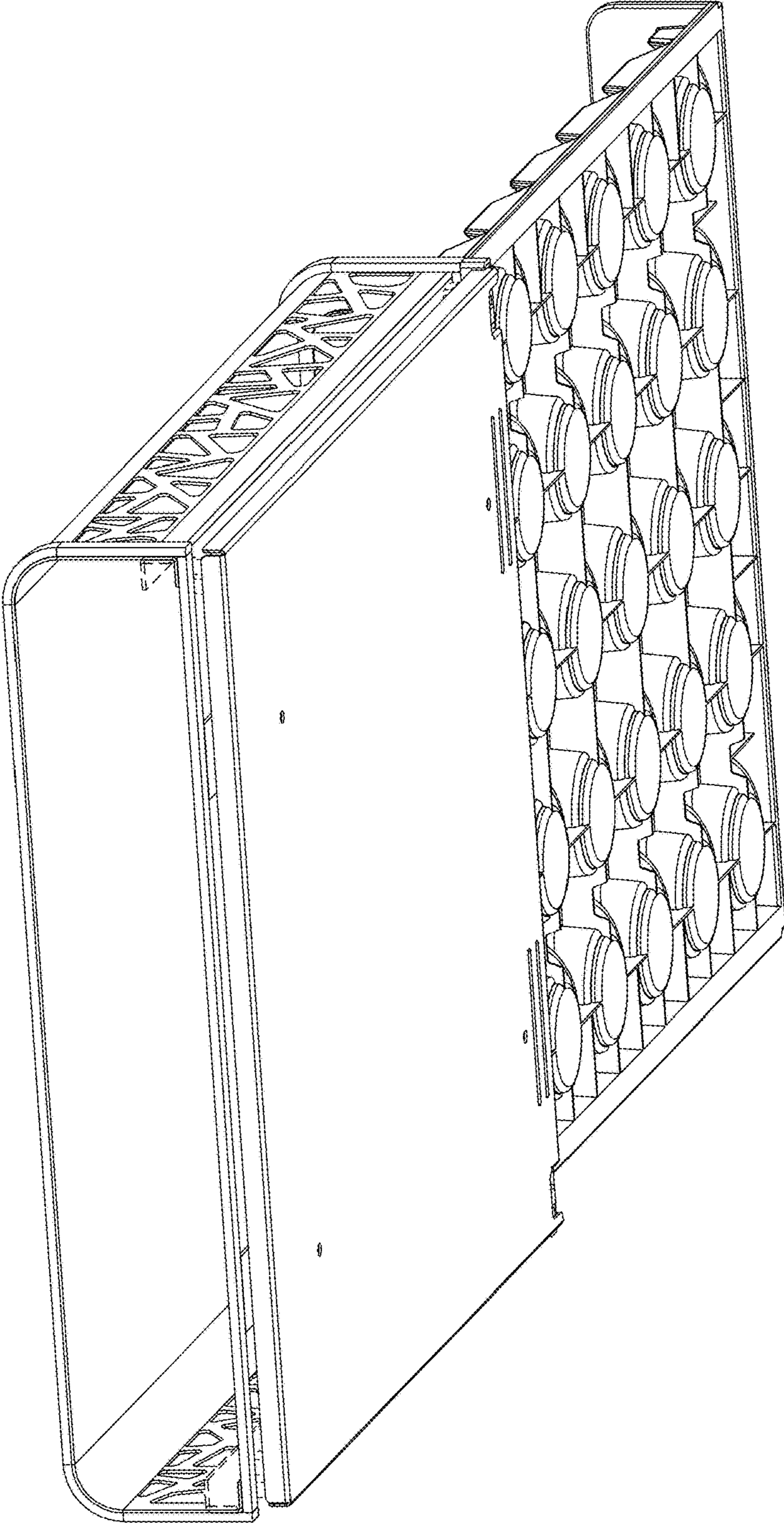


FIG. 8