



US00D831429S

(12) **United States Design Patent** (10) **Patent No.:** **US D831,429 S**  
**Floco** (45) **Date of Patent:** **\*\* Oct. 23, 2018**

(54) **CUPHOLDER TRAY**  
(71) Applicant: **PierPoint, Inc.**, San Diego, CA (US)  
(72) Inventor: **Ried Floco**, San Diego, CA (US)  
(73) Assignee: **PierPoint, Inc.**, Escondido, CA (US)

3,526,335 A 9/1970 Swett et al.  
3,642,239 A 2/1972 Zeiler  
3,800,939 A 4/1974 Cornelius  
3,808,084 A 4/1974 Doty  
3,877,603 A 4/1975 Holz  
(Continued)

(\*\*) Term: **15 Years**

FOREIGN PATENT DOCUMENTS  
JP 2010202262 A1 9/2010

(21) Appl. No.: **29/623,023**

OTHER PUBLICATIONS

(22) Filed: **Oct. 20, 2017**

Uxcell Vehicle Car Tray—Amazon.com listing accessed May 8, 2017.

(51) **LOC (11) Cl.** ..... **07-01**

(52) **U.S. Cl.**  
USPC ..... **D7/553.8**

(Continued)

(58) **Field of Classification Search**  
USPC ..... D7/396.4, 501, 505, 538, 540, 541–543,  
D7/545–546, 549, 552.1, 553, 553.1,  
D7/553.2, 553.6, 554.2; D9/424, 432,  
D9/716, 719, 723–740, 744–745, 756,  
D9/759–760; D30/130; D3/304, 313,  
D3/315

*Primary Examiner* — Kelley A Donnelly  
(74) *Attorney, Agent, or Firm* — Eleanor Musick; Musick Davison LLP

CPC ..... B65D 1/34; B65D 21/00; B65D 21/0204  
See application file for complete search history.

(57) **CLAIM**

The ornamental design of a cupholder tray, as shown.

(56) **References Cited**

U.S. PATENT DOCUMENTS

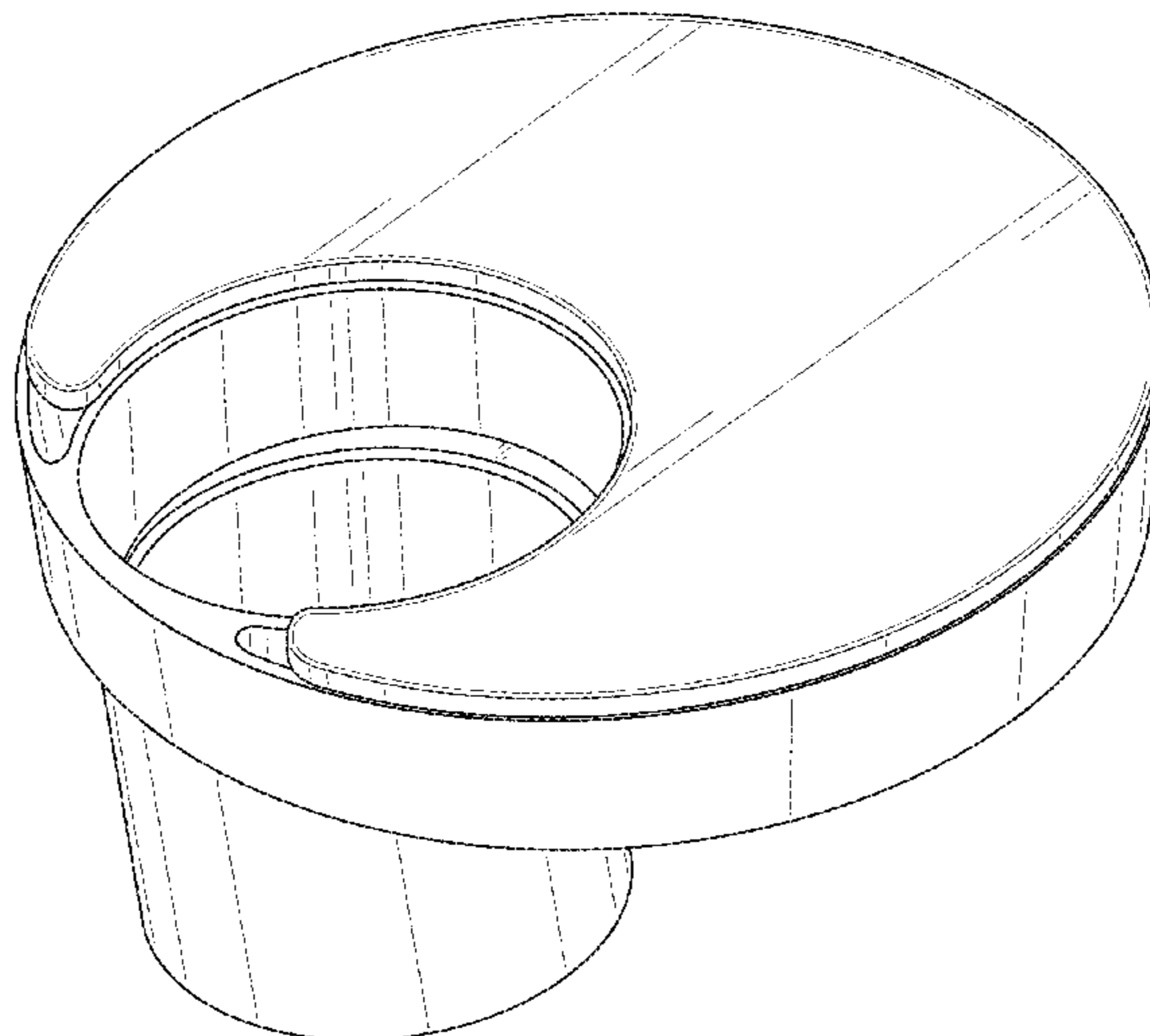
1,544,972 A 7/1925 Gebelein  
D87,682 S \* 8/1932 Porter ..... D7/543  
1,872,491 A 8/1932 Noetzel  
2,063,289 A 12/1936 Alusas  
D105,687 S \* 8/1937 Bode ..... D7/702  
2,107,023 A 2/1938 Bertsch  
2,584,557 A 2/1952 Cuthbertson  
2,640,595 A 6/1953 Byford  
2,799,147 A 7/1957 Crawford  
3,079,037 A 2/1963 Schechter  
3,250,422 A 5/1966 Parish  
3,257,024 A 6/1966 Semanchik  
3,401,858 A 9/1968 White et al.  
3,491,893 A \* 1/1970 Morris ..... A47B 13/16  
211/162

**DESCRIPTION**

FIG. 1 is a side perspective view of the cupholder tray showing my new design;  
FIG. 2 is a top plan view thereof;  
FIG. 3 is a bottom plan view thereof;  
FIG. 4 is a right side elevational view of the cupholder tray as shown in FIG. 3;  
FIG. 5 is a left side elevational view of the cupholder tray as shown in FIG. 3;  
FIG. 6 is a left side elevational view of the cupholder tray as shown in FIG. 1; and,  
FIG. 7 is a right side elevational view of the cupholder tray as shown in FIG. 1.

The broken line showing of a cupholder receptacle is included for the purpose of illustration only and forms no part of the claimed design.

**1 Claim, 6 Drawing Sheets**



(56)

References Cited

U.S. PATENT DOCUMENTS

3,949,876 A 4/1976 Bridges et al.  
 4,040,549 A 8/1977 Sadler  
 4,071,163 A 1/1978 Martin  
 4,208,006 A 6/1980 Bixler et al.  
 4,334,623 A \* 6/1982 Geary ..... A47G 23/0208  
 211/131.1  
 D270,324 S \* 8/1983 French ..... D7/505  
 4,516,685 A \* 5/1985 French ..... A47G 19/06  
 206/563  
 4,524,701 A 6/1985 Chappell  
 D291,957 S 9/1987 Stevens  
 D298,296 S \* 11/1988 Washburn ..... D7/553.6  
 4,798,413 A 1/1989 Capelli  
 4,969,618 A 11/1990 Thompson  
 5,114,108 A 5/1992 Olschansky  
 D326,588 S \* 6/1992 Meisel ..... D7/549  
 5,118,063 A 6/1992 Young  
 5,135,195 A 8/1992 Dane  
 5,171,077 A 12/1992 Jondahl et al.  
 D342,421 S \* 12/1993 DuBow ..... D7/708  
 5,330,145 A 7/1994 Evans et al.  
 5,335,787 A 8/1994 Finchum et al.  
 D353,289 S 12/1994 Ayotte et al.  
 5,421,459 A 6/1995 Mazzotti  
 D359,885 S \* 7/1995 Yanuzzi ..... D7/549  
 5,598,944 A 2/1997 Aragona  
 5,601,268 A 2/1997 Dunchock  
 D378,334 S 3/1997 Legere  
 5,651,523 A 7/1997 Bridges  
 D382,727 S 8/1997 Kresge et al.  
 5,702,041 A 12/1997 Sun et al.  
 5,711,595 A \* 1/1998 Gerbe ..... A47G 23/06  
 362/154  
 5,713,628 A 2/1998 Lucatuorto  
 5,769,264 A \* 6/1998 Lipkowitz ..... A47G 23/0625  
 220/23.83  
 5,772,050 A \* 6/1998 Shih ..... B41K 1/58  
 211/163  
 D398,480 S 9/1998 Chica  
 D404,218 S 1/1999 Sussman  
 5,865,124 A 2/1999 Wroe  
 5,897,041 A 4/1999 Ney et al.  
 D410,820 S \* 6/1999 Lofrano ..... D7/507  
 5,953,999 A 9/1999 Kanehl  
 5,954,195 A 9/1999 Krueger et al.  
 5,971,139 A 10/1999 Bradley  
 D415,930 S \* 11/1999 Schmidt ..... D7/553.1  
 6,021,914 A \* 2/2000 Schmidt ..... A47G 19/06  
 220/23.83  
 6,036,020 A 3/2000 Distler  
 6,109,580 A 8/2000 Stern et al.  
 6,113,049 A 9/2000 Miljanich  
 6,152,302 A 11/2000 Miller et al.  
 D442,830 S \* 5/2001 Raucci ..... D7/553.5  
 6,264,026 B1 7/2001 Bradley  
 D453,891 S \* 2/2002 Sussman ..... D7/553.1  
 6,360,885 B1 3/2002 Krueger et al.  
 6,401,927 B1 6/2002 Sorensen et al.  
 6,425,480 B1 7/2002 Krueger et al.  
 6,511,030 B1 1/2003 Kelley  
 6,533,233 B2 3/2003 Thomas  
 6,651,836 B1 11/2003 Hofheins et al.  
 6,682,034 B1 1/2004 Vial  
 6,732,990 B2 5/2004 Hudson  
 D506,357 S \* 6/2005 Price ..... D7/553.6  
 D508,373 S \* 8/2005 Corrieri ..... D7/553.6  
 D509,104 S \* 9/2005 Price ..... D7/553.4  
 6,964,443 B1 \* 11/2005 Newton ..... A47G 23/0208  
 206/217  
 D524,108 S \* 7/2006 Price ..... D7/553.4  
 D534,816 S \* 1/2007 Newton ..... D9/755  
 D560,973 S \* 2/2008 Parlowski ..... D7/553.8

7,334,908 B1 \* 2/2008 Figueroa ..... A47G 23/0208  
 362/101  
 D563,726 S \* 3/2008 Fraser ..... D7/553.1  
 D571,228 S \* 6/2008 Maslowski ..... D9/420  
 D575,600 S \* 8/2008 Mayer ..... D7/553.1  
 D576,455 S \* 9/2008 Siddle ..... D7/701  
 D581,740 S 12/2008 Ingle  
 D592,813 S 5/2009 Newsome et al.  
 D594,280 S \* 6/2009 Wolhendler ..... D7/549  
 D594,281 S \* 6/2009 Luft ..... D7/549  
 D594,705 S \* 6/2009 McComas ..... D7/546  
 D595,093 S \* 6/2009 McComas ..... D7/546  
 D595,094 S \* 6/2009 Vernes ..... D7/553.4  
 7,562,785 B2 \* 7/2009 Meissen ..... B65D 11/1866  
 220/4.28  
 D604,993 S \* 12/2009 Vernes ..... D7/545  
 D606,810 S \* 12/2009 Clark ..... D7/545  
 D614,926 S \* 5/2010 Cox ..... D7/708  
 D620,761 S \* 8/2010 Boudreau ..... D7/549  
 D623,019 S 9/2010 Wildman  
 D623,020 S \* 9/2010 De Bretton Gordon ..... D7/555  
 D623,478 S \* 9/2010 Hayashi ..... D7/551.1  
 D625,958 S \* 10/2010 Deming ..... D7/553.6  
 7,871,050 B2 \* 1/2011 Epstein ..... B60N 3/002  
 206/217  
 8,015,943 B1 9/2011 Samuelson et al.  
 D650,237 S \* 12/2011 McComas ..... D7/546  
 D651,028 S \* 12/2011 Grimaldi ..... D6/707.2  
 D655,136 S \* 3/2012 Goodman ..... D7/553.6  
 8,136,667 B2 \* 3/2012 Raynor ..... A47G 23/0225  
 206/217  
 8,146,737 B2 \* 4/2012 D'Agostino ..... B65D 71/0007  
 206/162  
 8,186,524 B2 \* 5/2012 Siahpush ..... A47F 5/02  
 211/133.4  
 8,256,639 B1 9/2012 Samuelson et al.  
 8,272,512 B2 \* 9/2012 Joseph ..... A47G 23/0641  
 206/563  
 D686,459 S \* 7/2013 Maggio ..... D7/553.1  
 D686,460 S \* 7/2013 Maggio ..... D7/553.1  
 D705,438 S \* 5/2014 Wainwright ..... D24/216  
 D708,062 S \* 7/2014 Musi Navarro ..... D7/702  
 D712,204 S \* 9/2014 Hatcher ..... D7/553.5  
 D730,124 S \* 5/2015 Tollen ..... D7/552.1  
 D737,633 S \* 9/2015 Breton ..... D7/553.6  
 D750,441 S \* 3/2016 Hartmann ..... D7/553.5  
 D766,665 S \* 9/2016 Shames ..... D7/554.2  
 D778,116 S \* 2/2017 Cao ..... D7/554.2  
 D805,855 S \* 12/2017 Adams, IV ..... D7/620  
 D808,222 S \* 1/2018 Shames ..... D7/554.2  
 D819,408 S \* 6/2018 Floco ..... D7/553.6  
 2003/0141424 A1 7/2003 Thomas  
 2005/0017134 A1 \* 1/2005 Hooper ..... A47G 23/0208  
 248/103  
 2008/0264822 A1 \* 10/2008 Faiola ..... A47G 19/06  
 206/561  
 2009/0120832 A1 5/2009 Munden  
 2012/0031806 A1 \* 2/2012 Riley ..... A47G 23/0208  
 206/563  
 2012/0097574 A1 \* 4/2012 Parsons ..... A47G 19/065  
 206/557  
 2016/0236837 A1 8/2016 Malcolm  
 2017/0245610 A1 8/2017 French  
 2017/0311752 A1 11/2017 Roever et al.

OTHER PUBLICATIONS

“Travel Tray—Convenient Snack and Drink Travel Tray for Car Seats” Website [online], Travel Tray, Oct. 30, 2017 (retrieved on Feb. 6, 2018). Retrieved from the Internet: URL: <https://www.traveltray.us/>.  
 PCT/US2017/067752 International Search Report and Written Opinion, dated Mar. 8, 2018, 7 pages.

\* cited by examiner

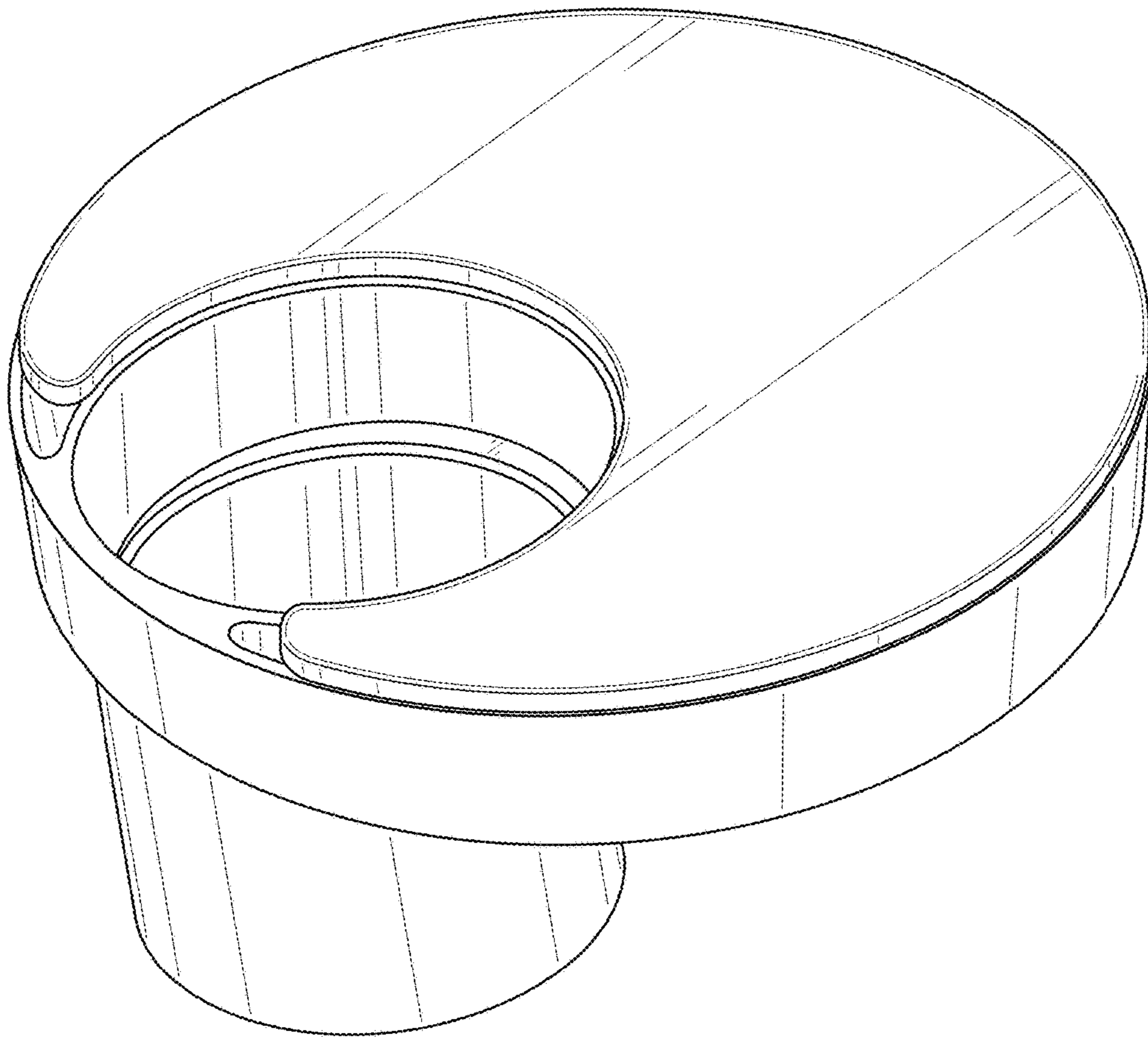


FIG. 1

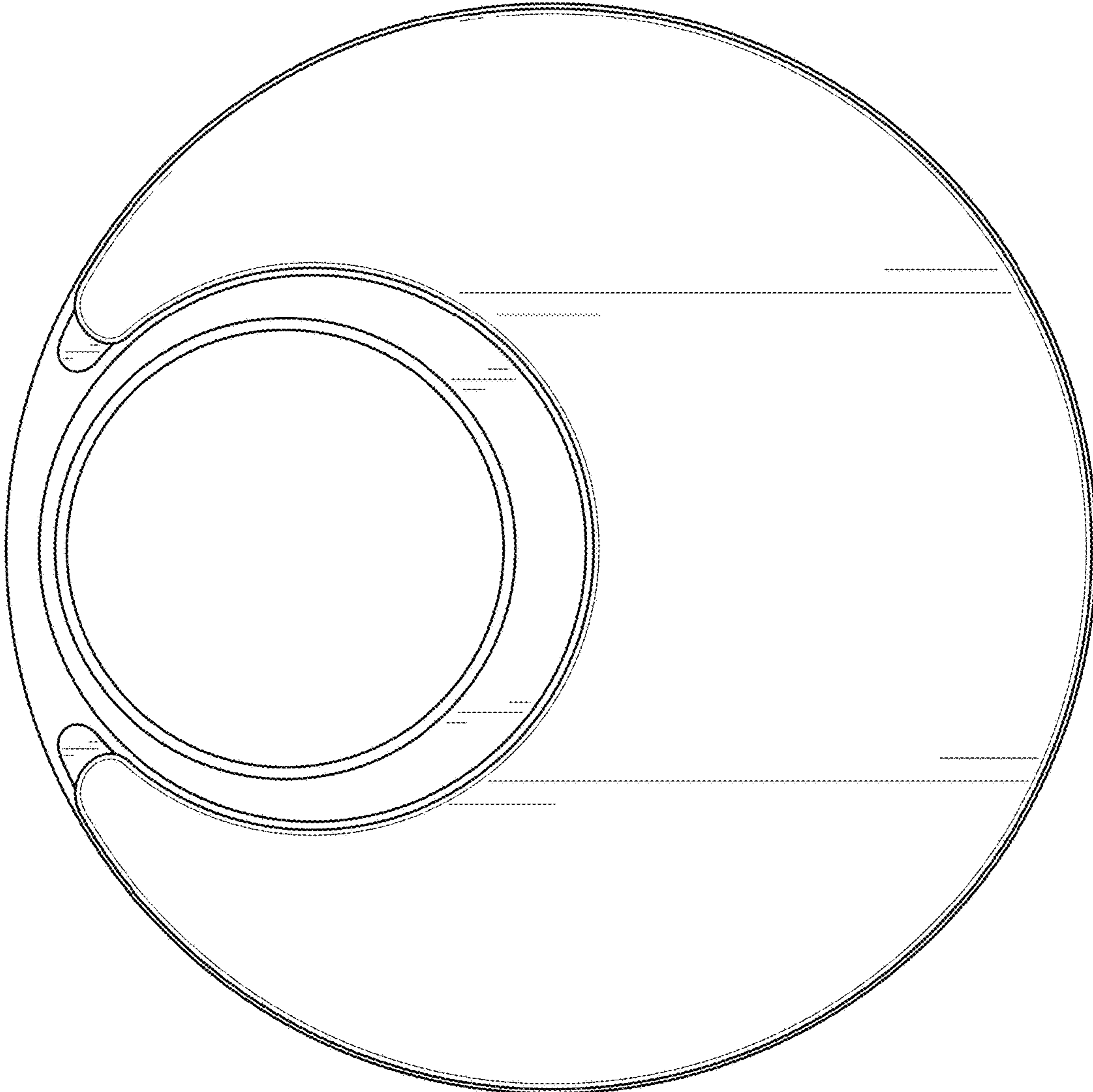


FIG. 2

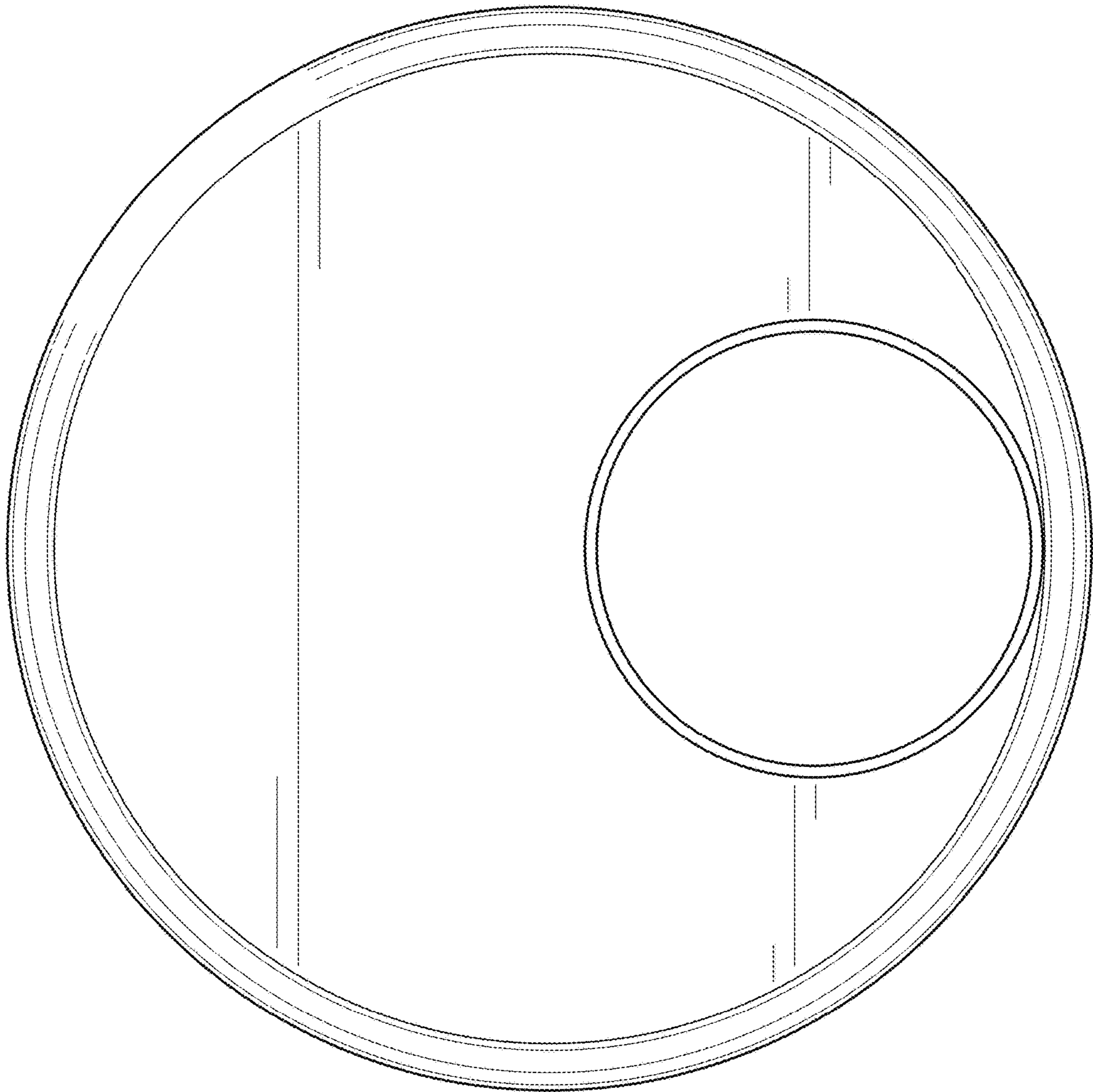


FIG. 3

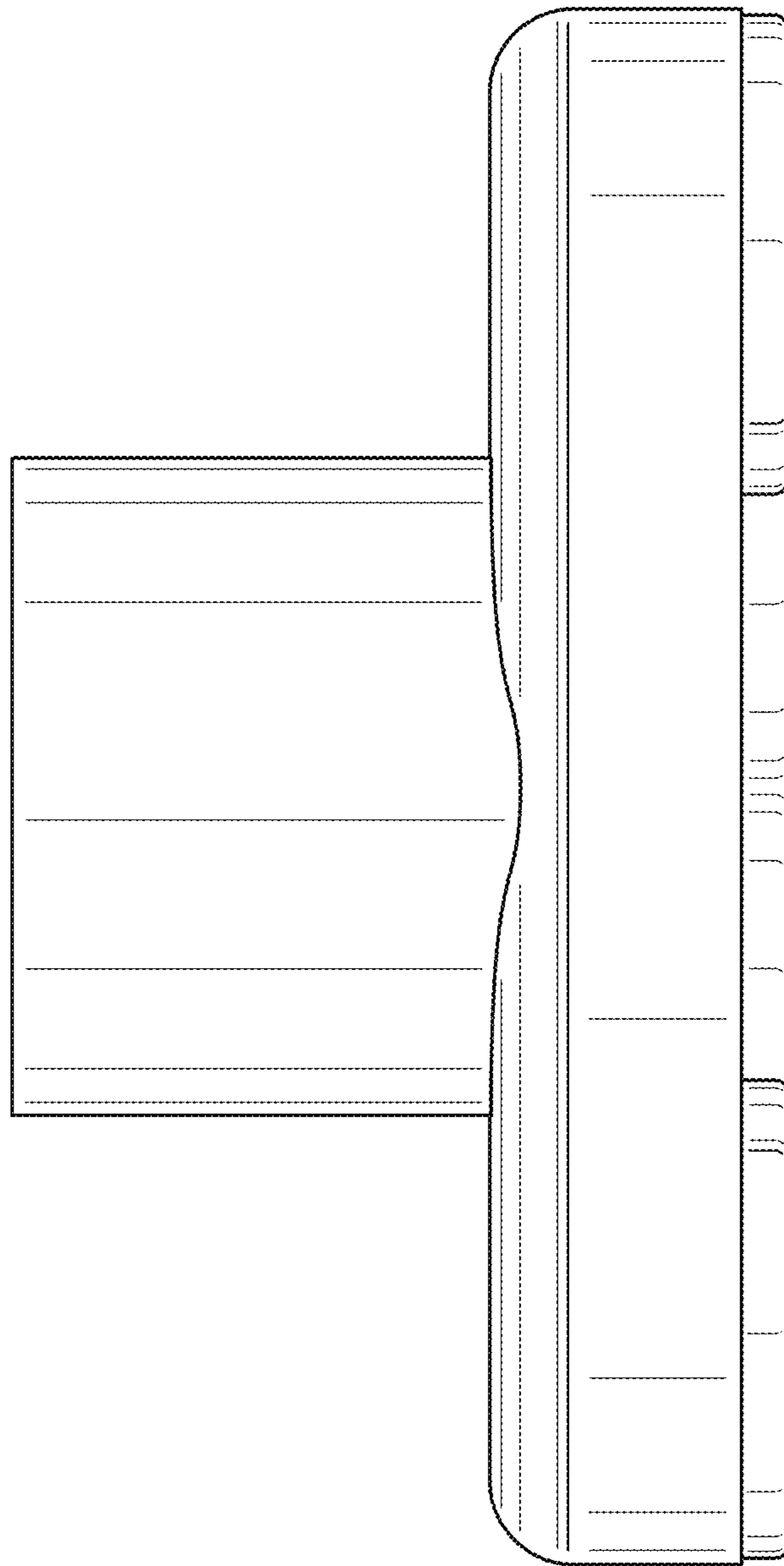


FIG. 4

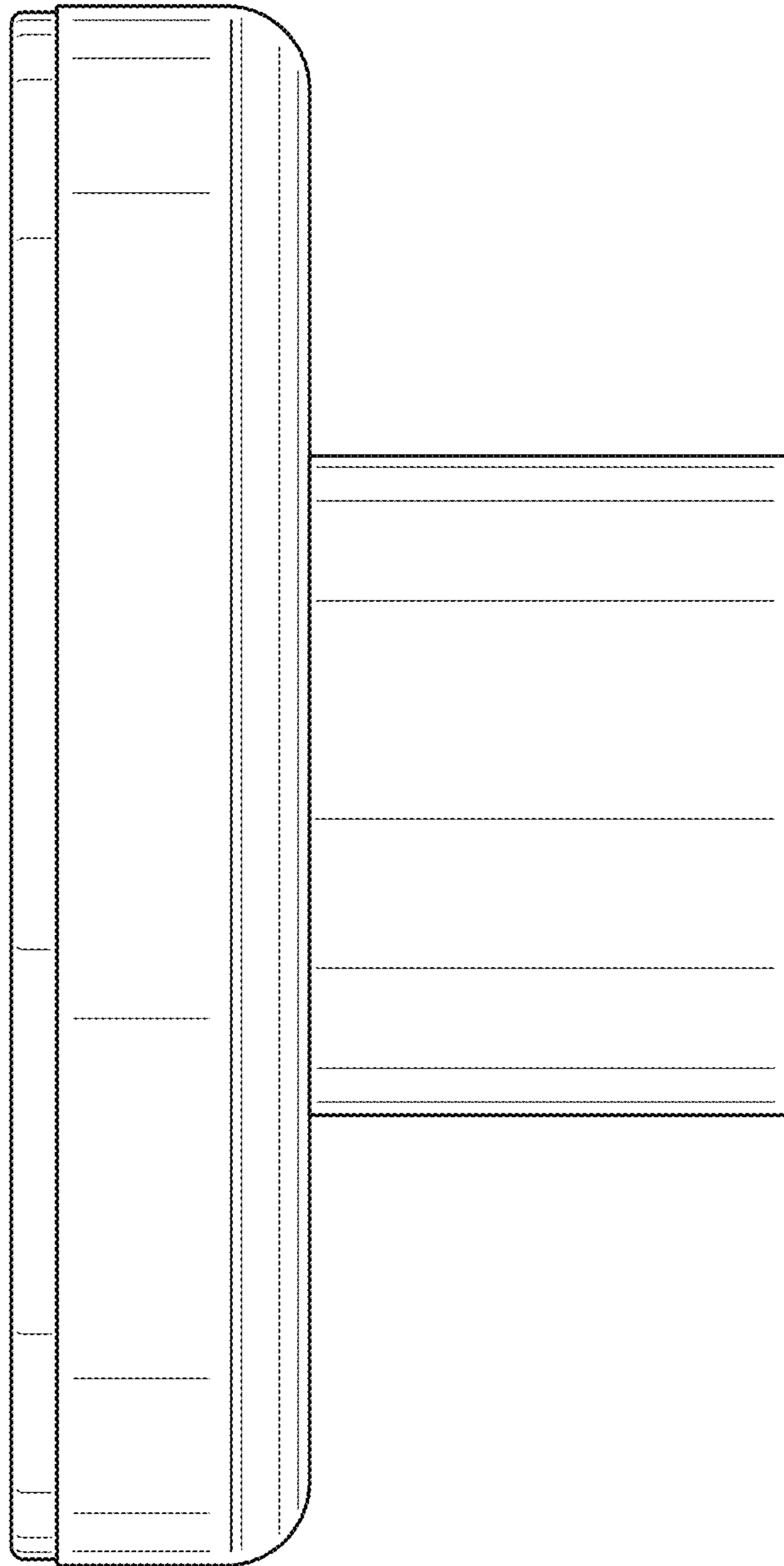


FIG. 5

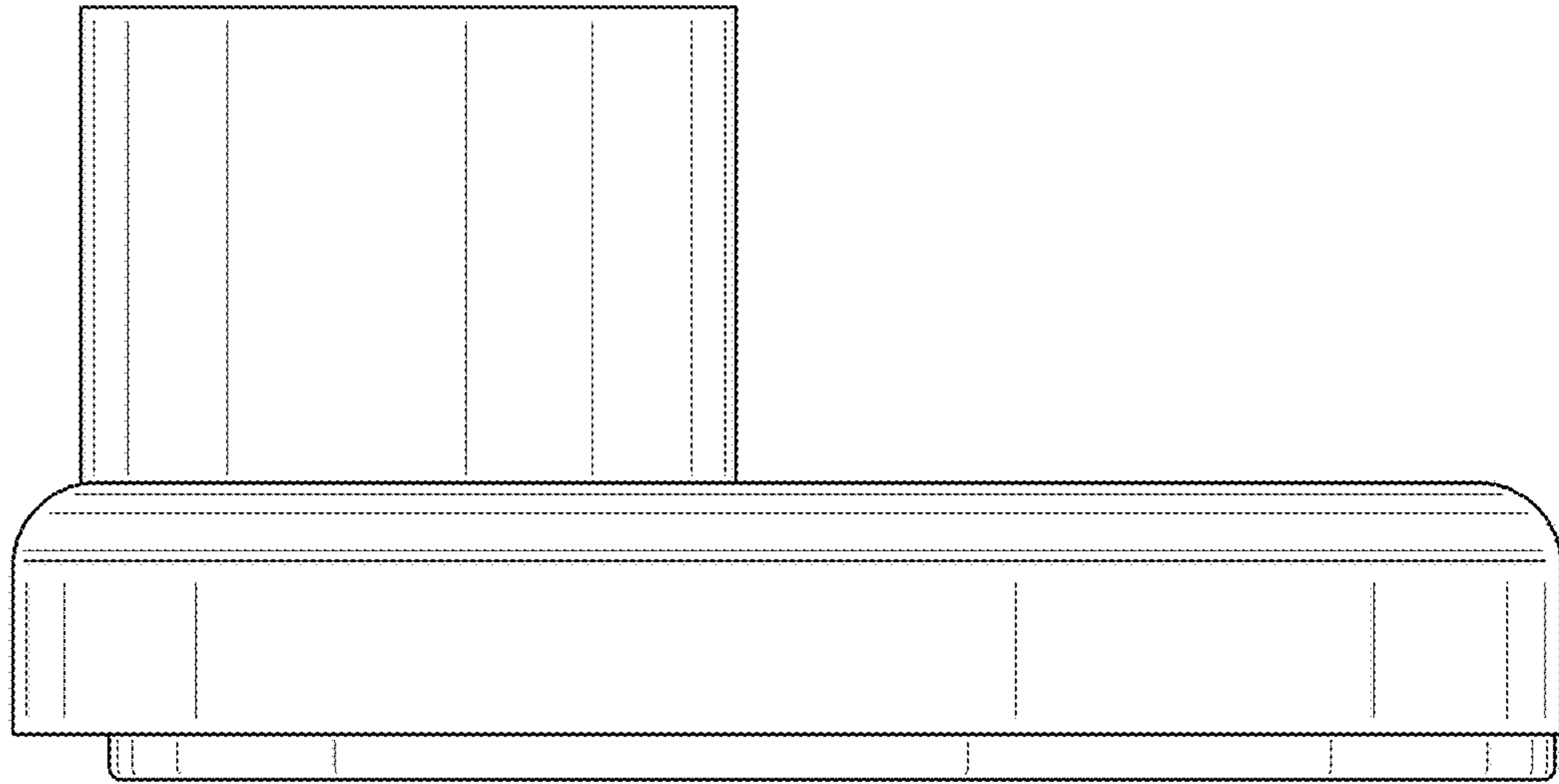


FIG. 6

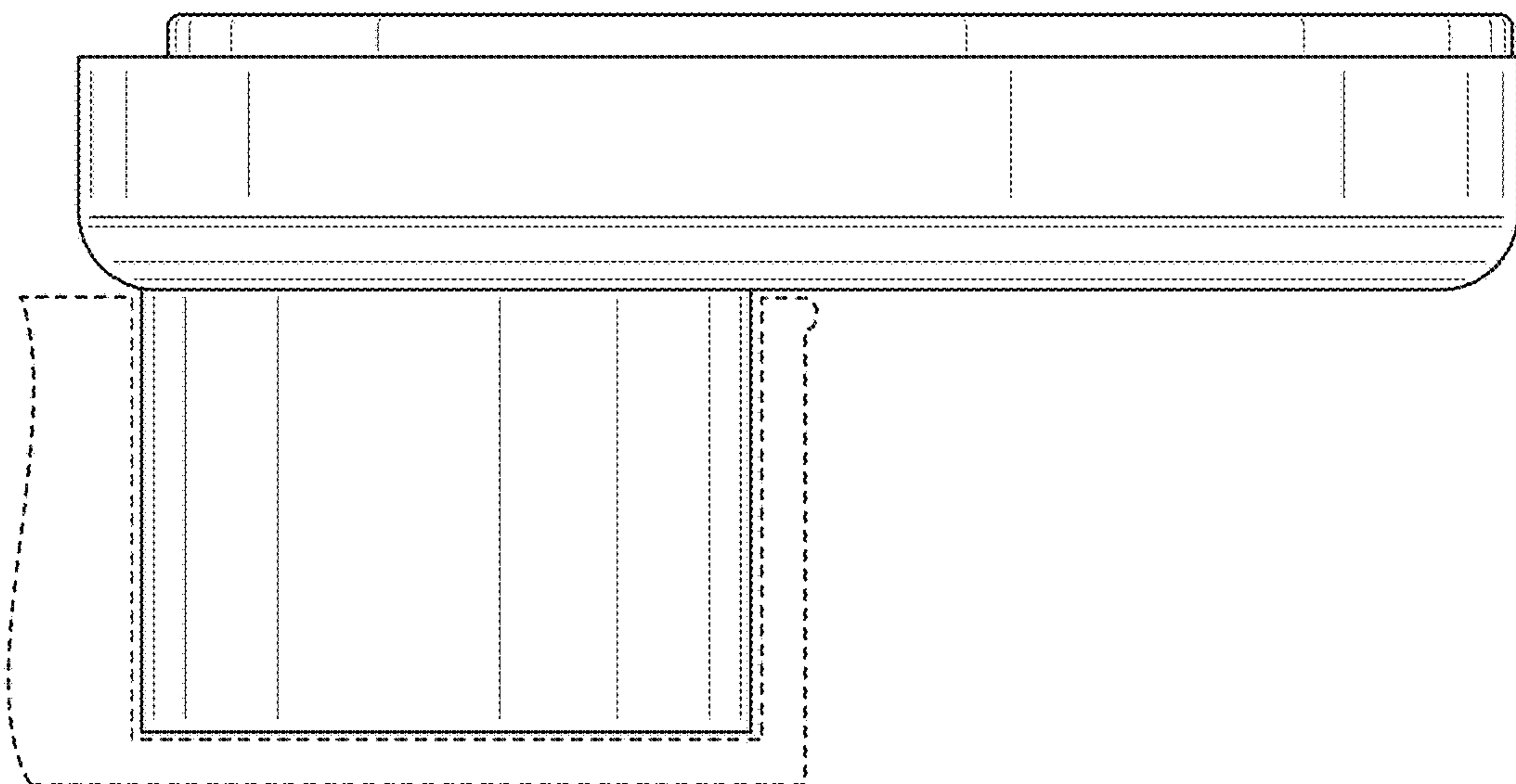


FIG. 7