



US00D831427S

(12) **United States Design Patent**
Thompson

(10) **Patent No.:** **US D831,427 S**
(45) **Date of Patent:** **** Oct. 23, 2018**

- (54) **MUG**
- (71) Applicant: **Piramal Glass—USA, Inc.**, Dayton, NJ (US)
- (72) Inventor: **Douglas Thompson**, Fort Lee, NJ (US)
- (73) Assignee: **PIRAMAL GLASS—USA, INC.**
- (**) Term: **15 Years**
- (21) Appl. No.: **29/566,740**
- (22) Filed: **Jun. 2, 2016**
- (51) **LOC (11) Cl.** **07-01**
- (52) **U.S. Cl.**
USPC **D7/515; D7/536**
- (58) **Field of Classification Search**
USPC D7/509, 514, 515, 518, 521, 539, 564,
D7/301, 623, 536; 220/212, 23.86;
215/387; D9/668, 618; D3/255, 202,
D3/215; 206/315.5
CPC A47G 19/2205; A47J 43/27; A45C 7/0086
See application file for complete search history.

6,050,414 A	4/2000	Saffron et al.	
D431,160 S	9/2000	Stadtler, II	
D490,654 S *	6/2004	Allen	D7/313
D493,071 S	7/2004	Fasula et al.	
D544,301 S *	6/2007	Tien	D7/510
D586,228 S *	2/2009	McWillis	D6/674
D607,278 S *	1/2010	Luchak	D7/532
D657,246 S	4/2012	Nemeth et al.	
D657,247 S	4/2012	Nemeth et al.	
D669,737 S	10/2012	Nemeth et al.	
D721,281 S	1/2015	Vella	
D732,894 S *	6/2015	Peterson	D7/510
D748,955 S	2/2016	Oliver	
D756,710 S *	5/2016	Beckman	D7/510
D765,473 S *	9/2016	Beckman	D7/509
D778,661 S *	2/2017	Vazin	D7/306

(56) **References Cited**

U.S. PATENT DOCUMENTS

D7,342 S	3/1874	Bakewell, Jr.	
D11,717 S *	4/1880	Chase	D10/6
D175,758 S *	10/1955	Bohm	D9/633
D207,236 S *	3/1967	Fields	D7/302
D228,489 S *	10/1973	Mascia	D9/633
D238,550 S *	1/1976	Edwards	D9/633
D266,397 S	10/1982	Coniglio	
D269,046 S *	5/1983	Faul	D34/4
D271,564 S	11/1983	Cooper	
D272,793 S	2/1984	Appel et al.	
D275,924 S *	10/1984	Andrews, Jr.	D7/301
D344,204 S *	2/1994	Dixon	D34/39
D372,564 S *	8/1996	Casey	D3/202
D377,738 S *	2/1997	Thorne	D7/515

OTHER PUBLICATIONS

Etsy, Search: Ceramic Beer Barrel, Multiple Images, 2016.

* cited by examiner

Primary Examiner — Marianne Pandozzi

(74) *Attorney, Agent, or Firm* — The Belles Group, P.C.

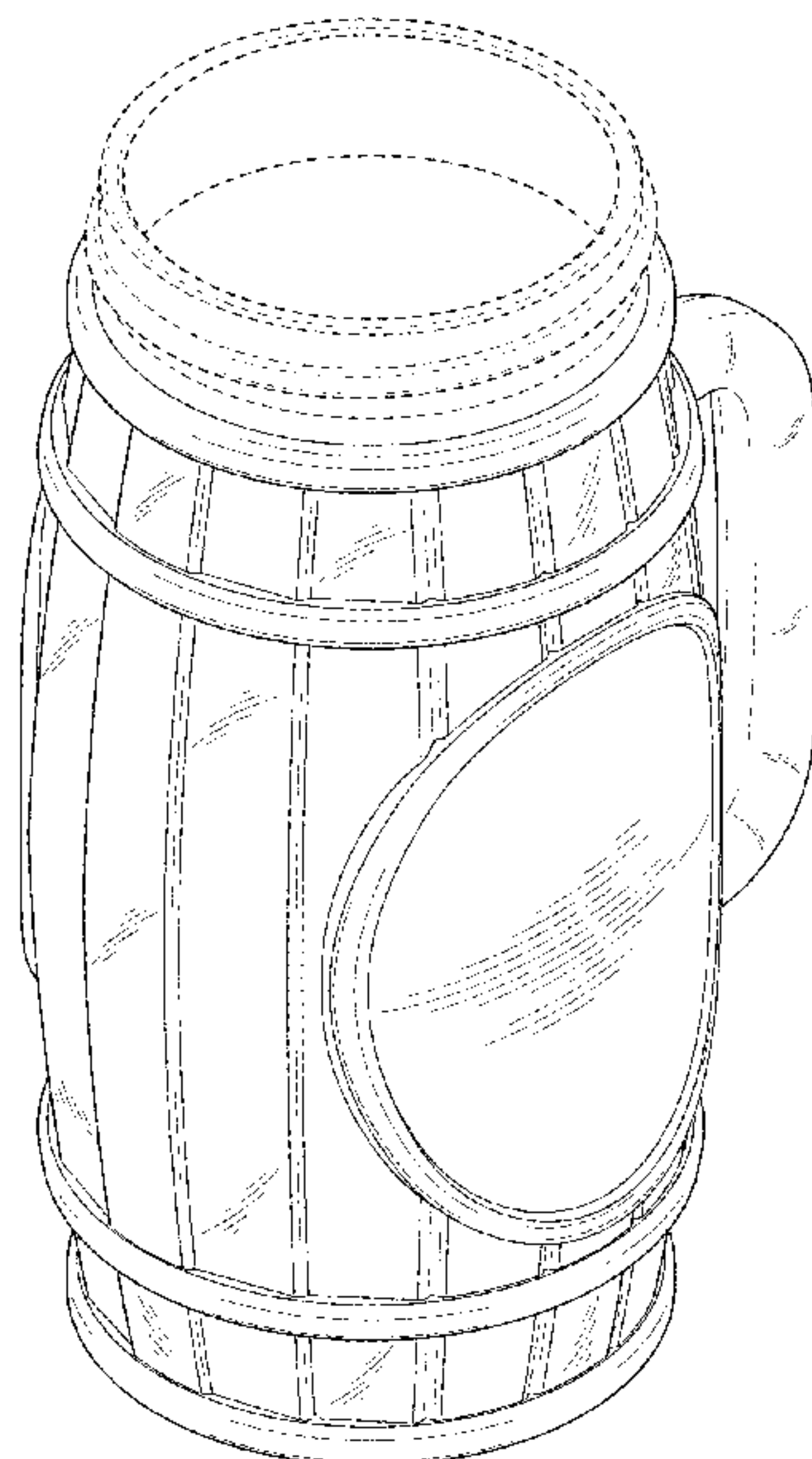
(57) **CLAIM**

The ornamental design for a mug, as shown and described.

DESCRIPTION

FIG. 1 is a perspective view of a mug showing my new design;
 FIG. 2 is a front elevation view thereof;
 FIG. 3 is a rear elevation view thereof;
 FIG. 4 is a right side elevation view thereof;
 FIG. 5 is a left side elevation view thereof;
 FIG. 6 is a top plan view thereof; and,
 FIG. 7 is a bottom plan view thereof.
 The broken lines in the drawing depict portions of the mug that form no part of the claimed design.

1 Claim, 6 Drawing Sheets



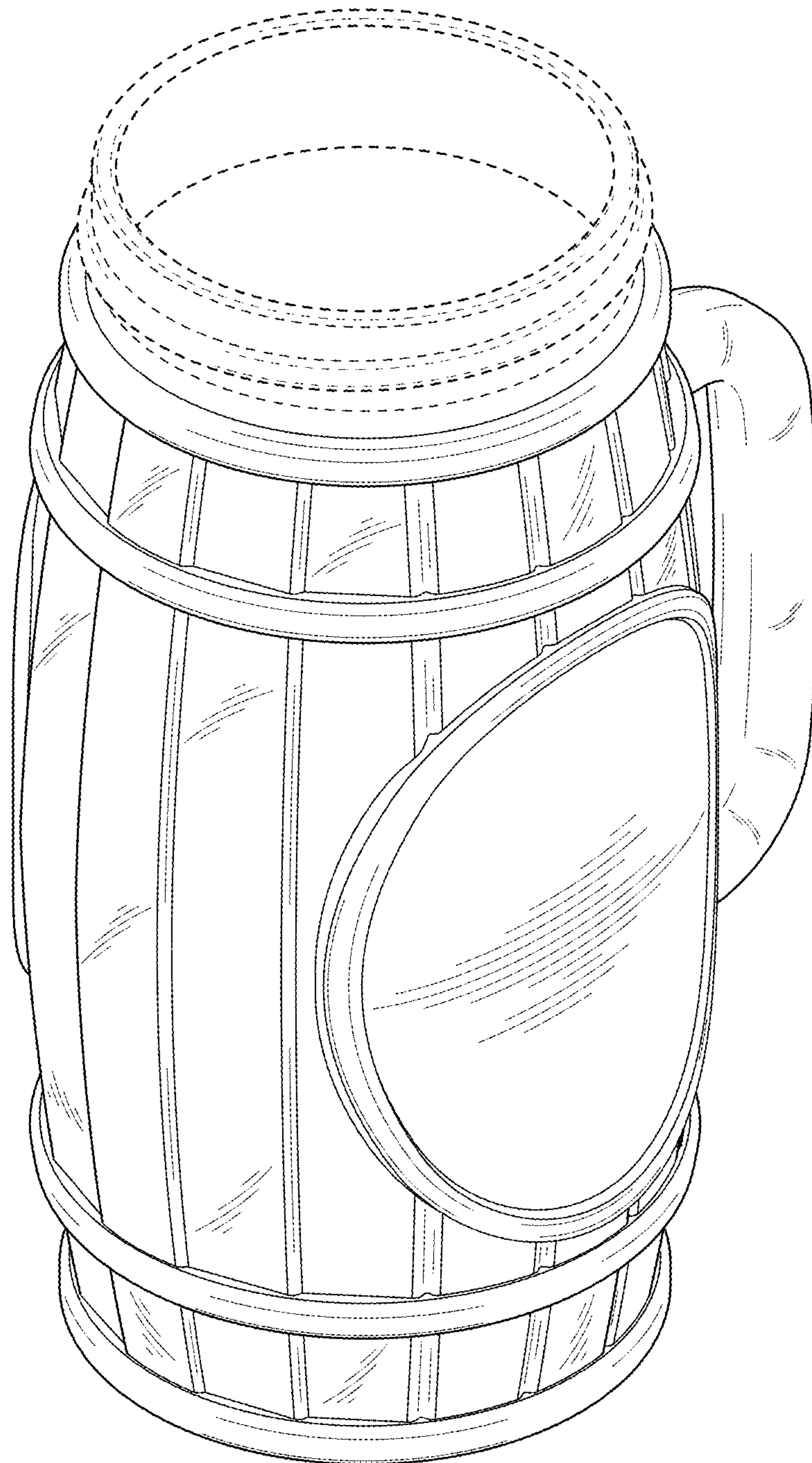


FIG. 1

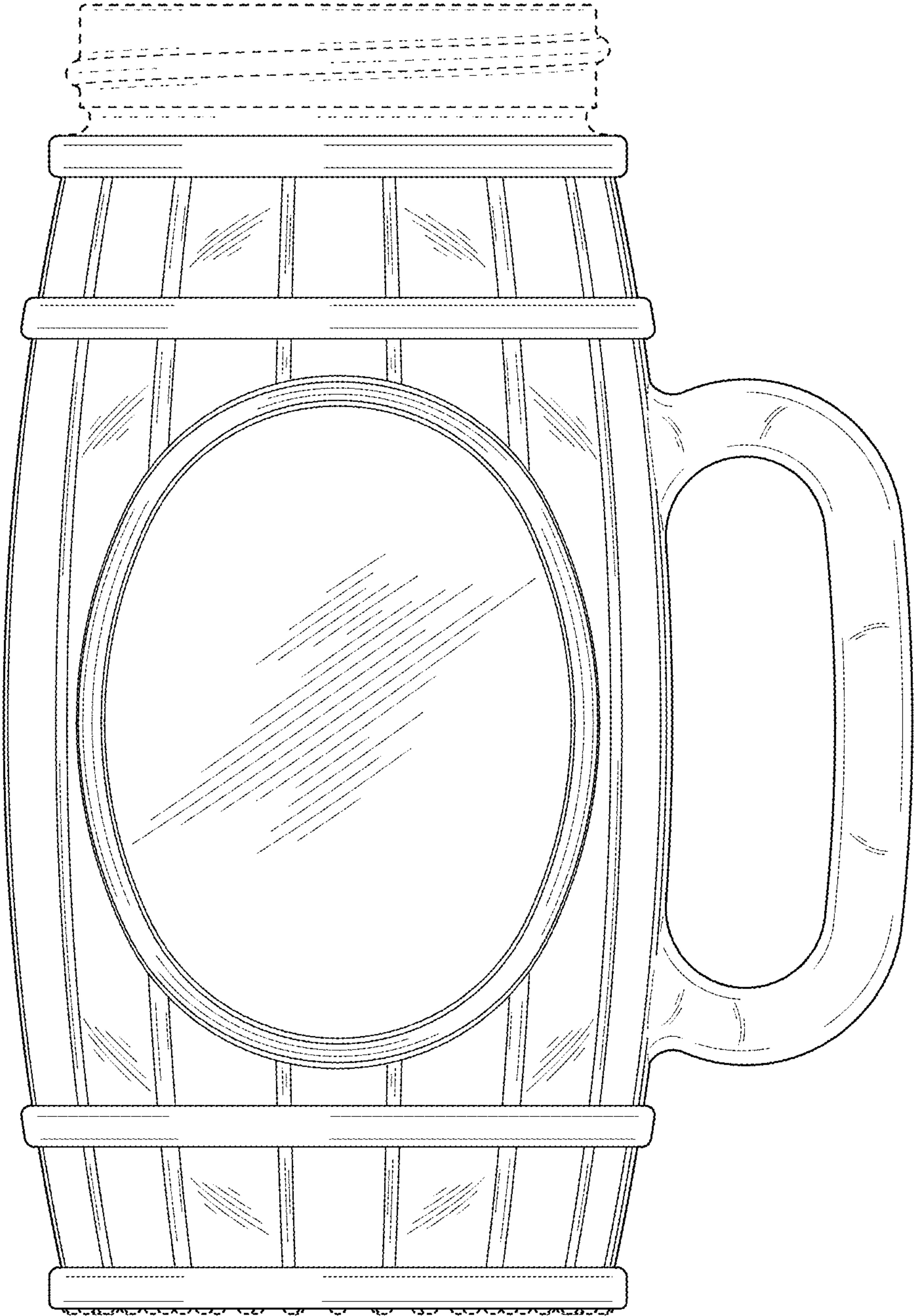


FIG. 2

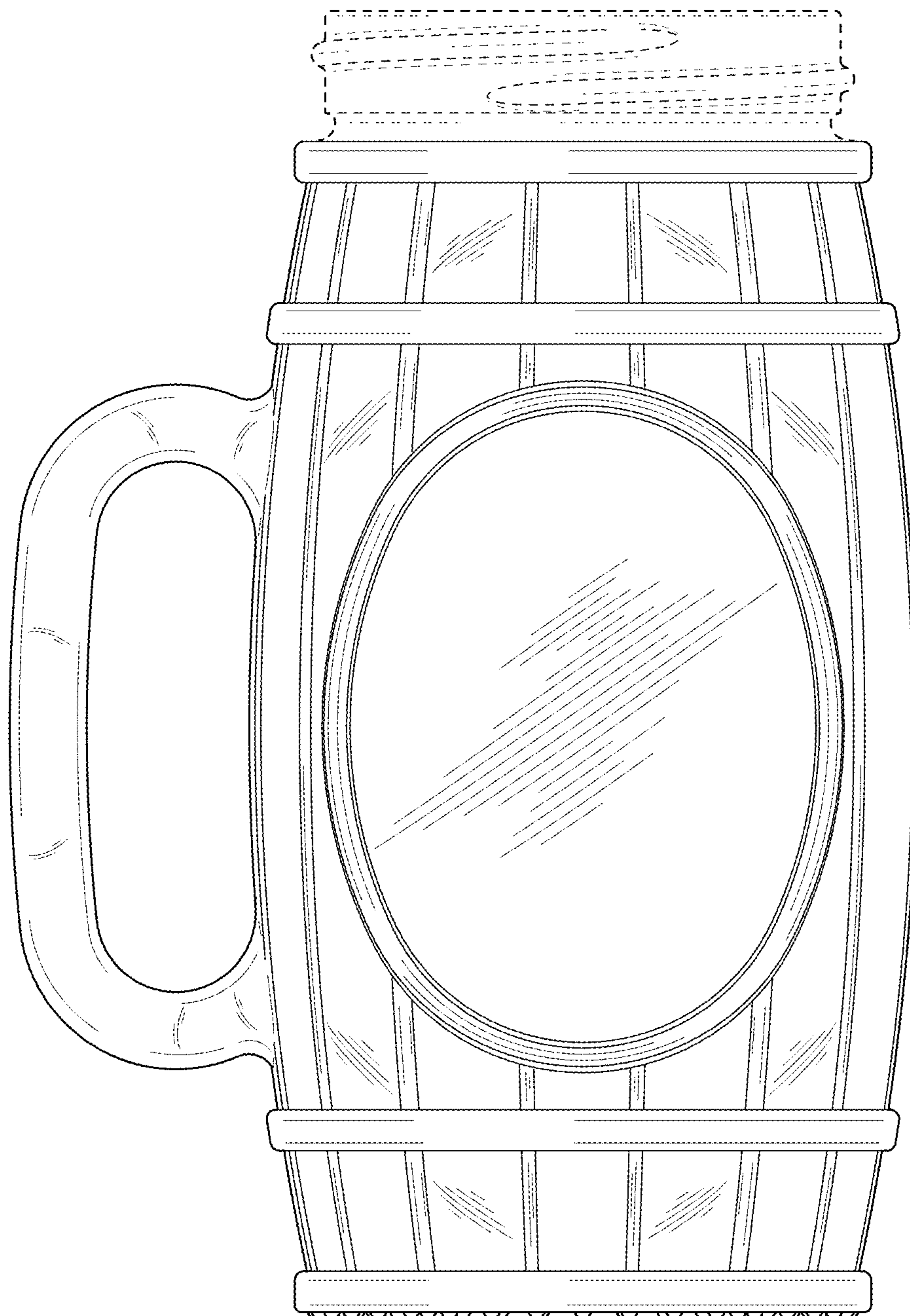


FIG. 3

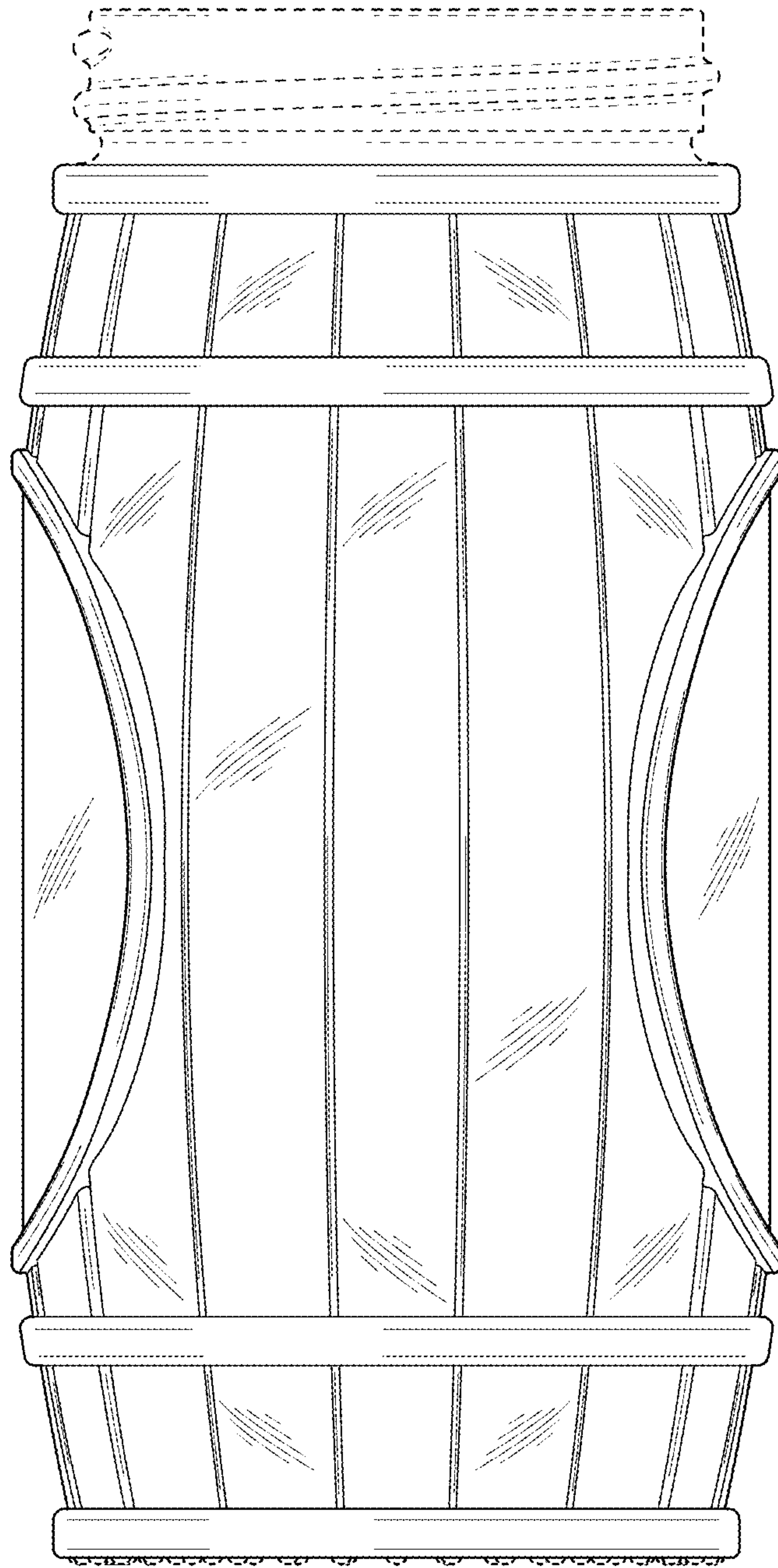


FIG. 4

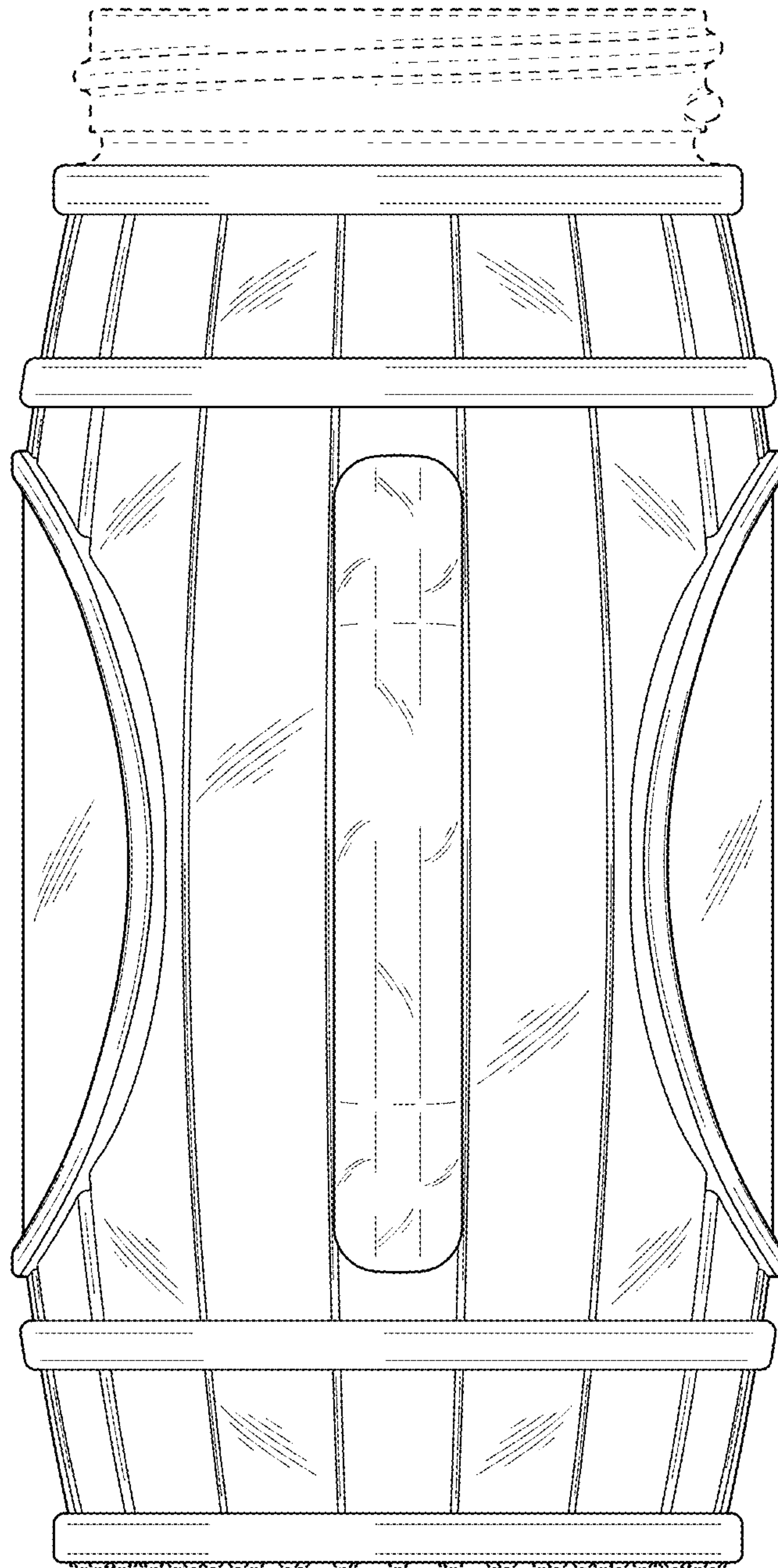


FIG. 5

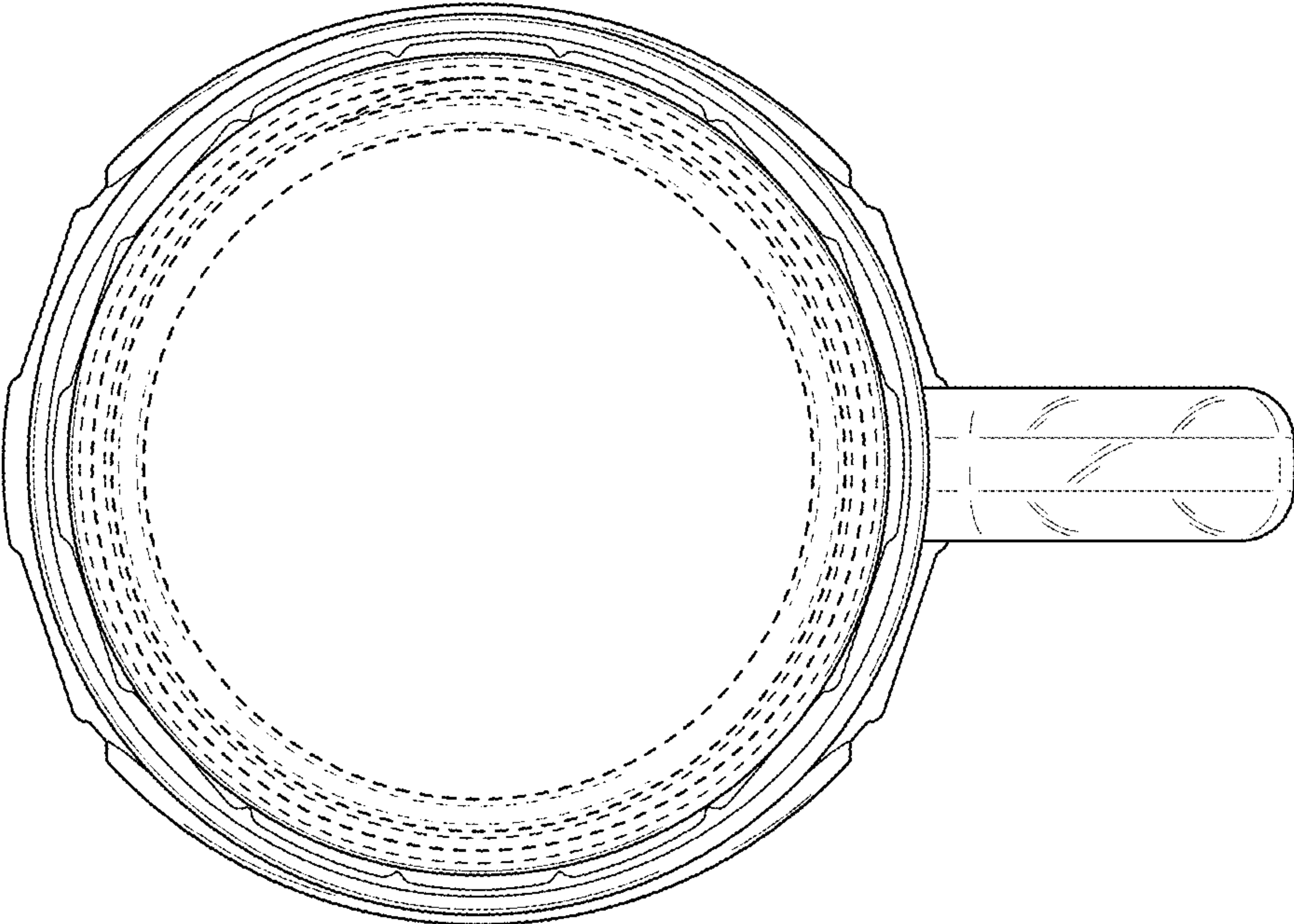


FIG. 6

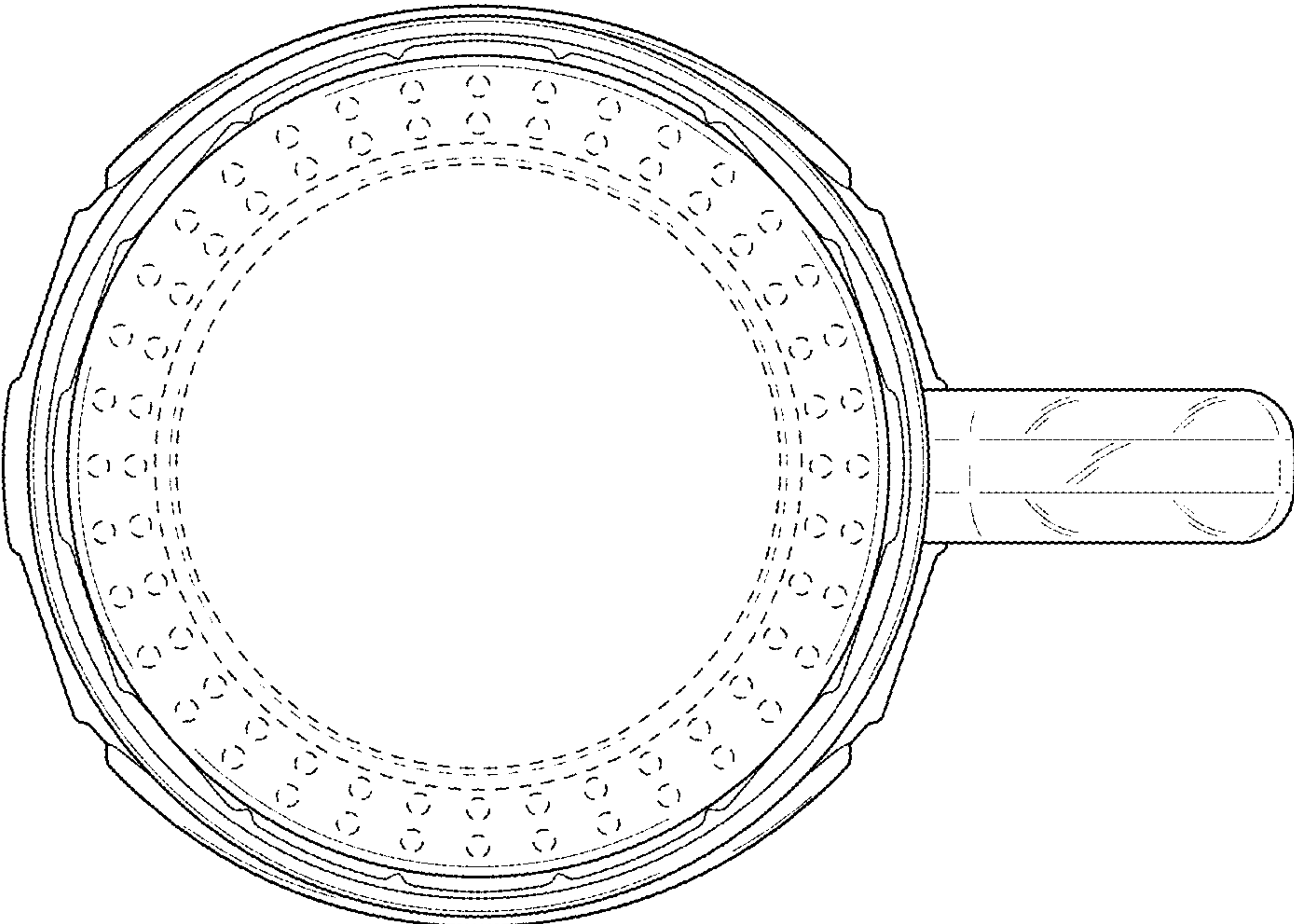


FIG. 7