



US00D831422S

(12) **United States Design Patent**
Gebhardt

(10) **Patent No.:** **US D831,422 S**

(45) **Date of Patent:** **** Oct. 23, 2018**

(54) **FLATWARE HANDLE**

(71) Applicant: **Oneida Ltd.**, Columbus, OH (US)

(72) Inventor: **Paul E. Gebhardt**, Oneida, NY (US)

(73) Assignee: **Oneida Ltd.**, Columbus, OH (US)

(**) Term: **15 Years**

(21) Appl. No.: **29/604,720**

(22) Filed: **May 19, 2017**

(51) **LOC (11) Cl.** **07-03**

(52) **U.S. Cl.**

USPC **D7/401.2**; D7/653

(58) **Field of Classification Search**

USPC D7/368, 401.2, 642-649, 653-664, 669,
D7/675-677, 683, 688-689, 691;
D8/107, 300-301; D10/57;
D22/117-118

CPC ... A01D 9/02; A01D 9/04; A01D 9/06; A47G
21/00; A47G 21/004; A47G 21/005;
A47G 21/02; A47G 21/023; A47G 21/04;
A47G 21/06; A47G 21/08; A47J 43/28;
A47J 43/281; A47J 43/282; A61F 13/10;
A61J 7/0023; B25G 1/00; B25G 1/01;
B25G 1/02; B25G 3/00; B65D 75/56;
B65D 75/563; B65D 75/566; B67B 7/00;
B67B 7/724; B67B 7/73

See application file for complete search history.

(56) **References Cited**

U.S. PATENT DOCUMENTS

D184,777 S * 3/1959 Magnus D7/653
D202,926 S * 11/1965 David D7/653
D247,086 S * 1/1978 Gonshorek D7/645
D333,946 S * 3/1993 Richmond D7/653
D345,284 S * 3/1994 Burdick D7/649

D345,486 S * 3/1994 Burdick D7/401.2
D358,741 S * 5/1995 Burdick D7/642
D424,954 S * 5/2000 Chambers D10/57

(Continued)

Primary Examiner — Ricky Pham

(74) *Attorney, Agent, or Firm* — Frost Brown Todd LLC

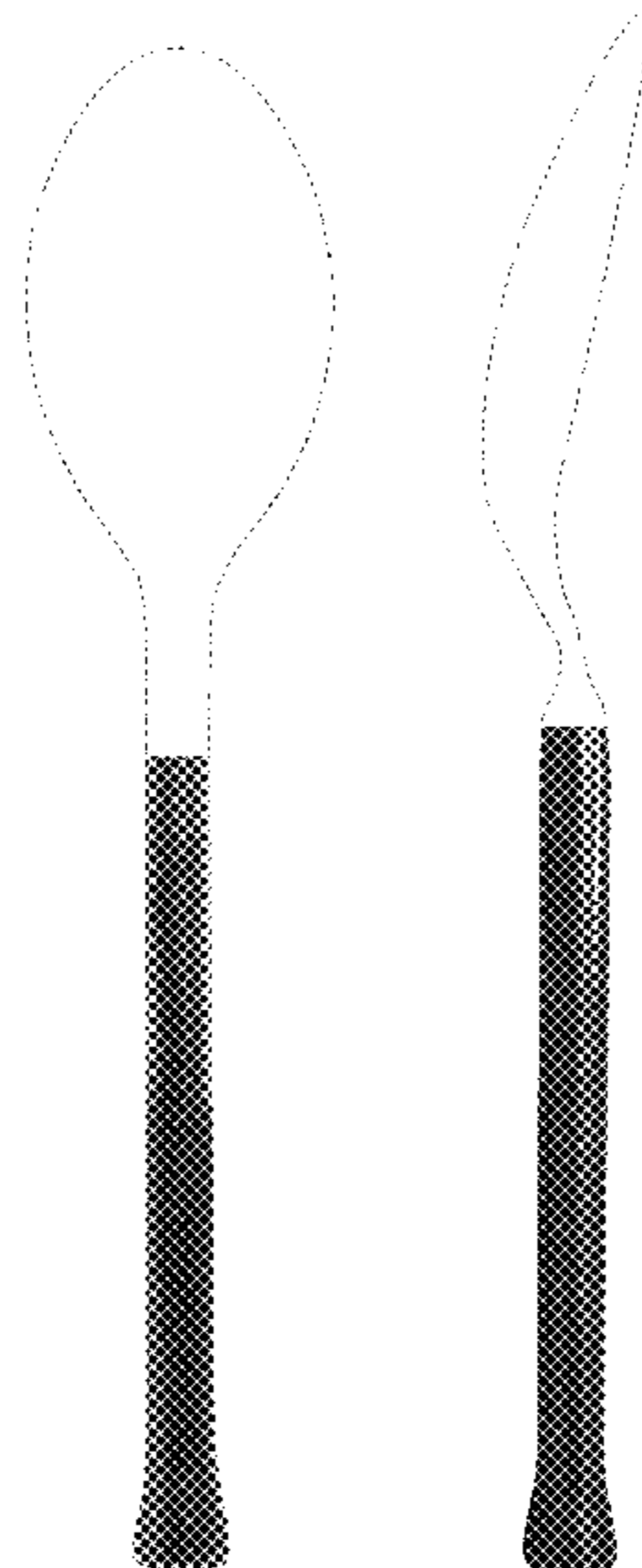
(57) **CLAIM**

The ornamental design for a flatware handle, as shown and described.

DESCRIPTION

FIG. 1 is a top view of an ornamental design for flatware handle embodied as a spoon;
FIG. 2 is a bottom view thereof;
FIG. 3 is a side view thereof;
FIG. 4 is a side view thereof, opposite to the side view of FIG. 3;
FIG. 5 is an end view thereof;
FIG. 6 is an end view thereof; opposite to the end view of FIG. 5 and rotated about the longitudinal axis 180 degrees;
FIG. 7 is a top view of an ornamental design for flatware handle embodied as a knife;
FIG. 8 is a bottom view thereof;
FIG. 9 is a side view thereof;
FIG. 10 is a side view thereof, opposite to the side view of FIG. 9;
FIG. 11 is an end view thereof; and,
FIG. 12 is an end view thereof; opposite to the end view of FIG. 11 and rotated about the longitudinal axis 180 degrees.
The dot-dash-dot broken lines immediately adjacent to the photographic area represent an unclaimed boundary of the design. The evenly spaced broken lines showing the remainder of the flatware are for environmental purposes only and form no part of the claimed design. Any textual information shown on the article is environmental only and forms no part of the claimed design. Any images appearing as reflections in the polished finish portions of the article are environmental only and form no part of the claimed design.

1 Claim, 6 Drawing Sheets



(56)

References Cited

U.S. PATENT DOCUMENTS

D463,956 S	*	10/2002	Richmond	D7/653
D594,711 S	*	6/2009	Coppo	D7/653
D597,385 S	*	8/2009	Coppo	D7/653
D651,849 S	*	1/2012	Shane-Schuldt	D7/401.2
D801,114 S	*	10/2017	Cohen	D7/401.2

* cited by examiner

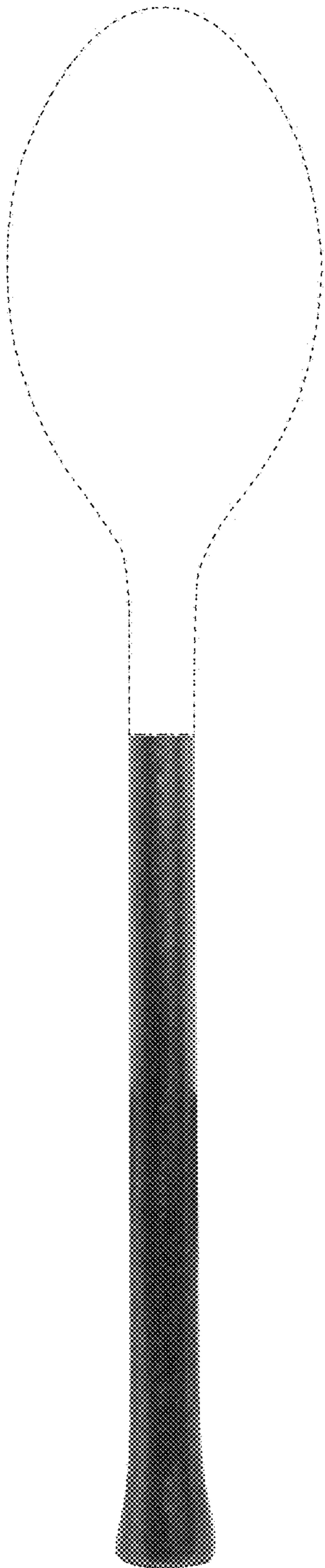


FIG. 1

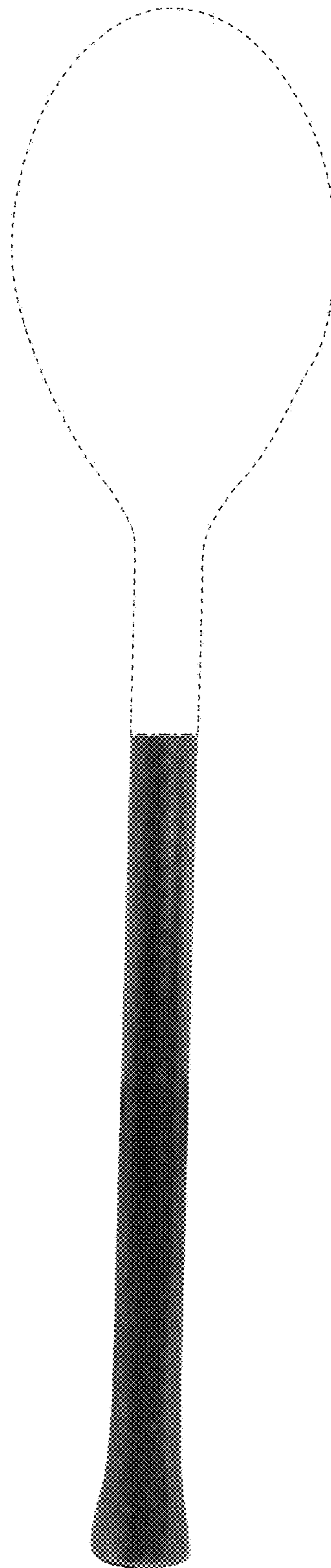


FIG. 2

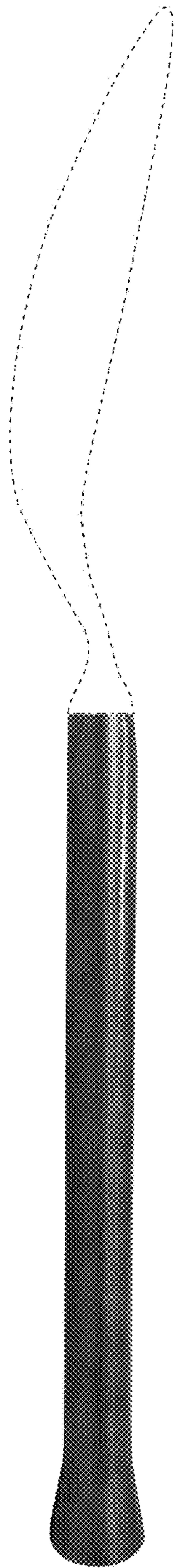


FIG. 3

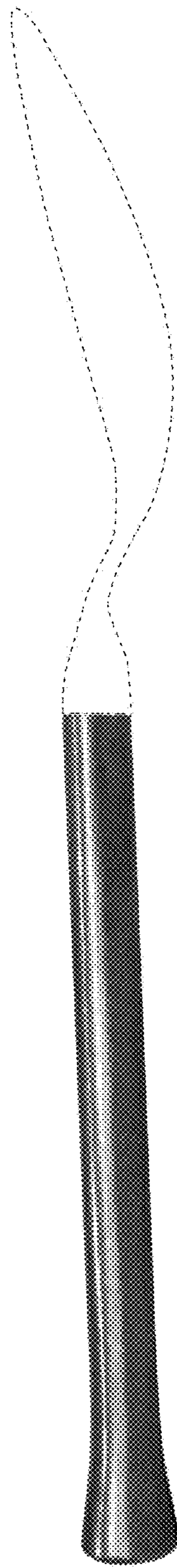


FIG. 4

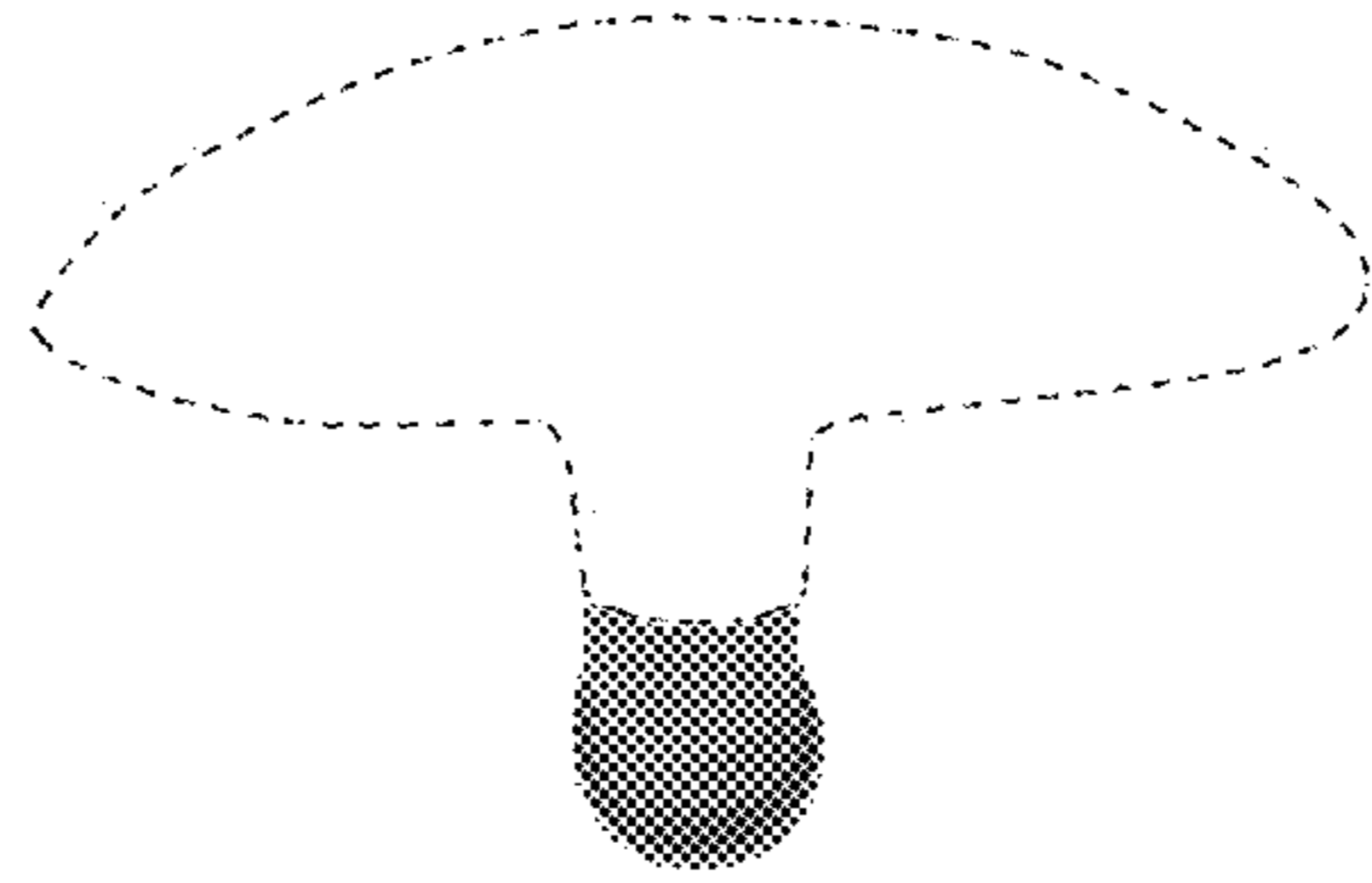


FIG. 5

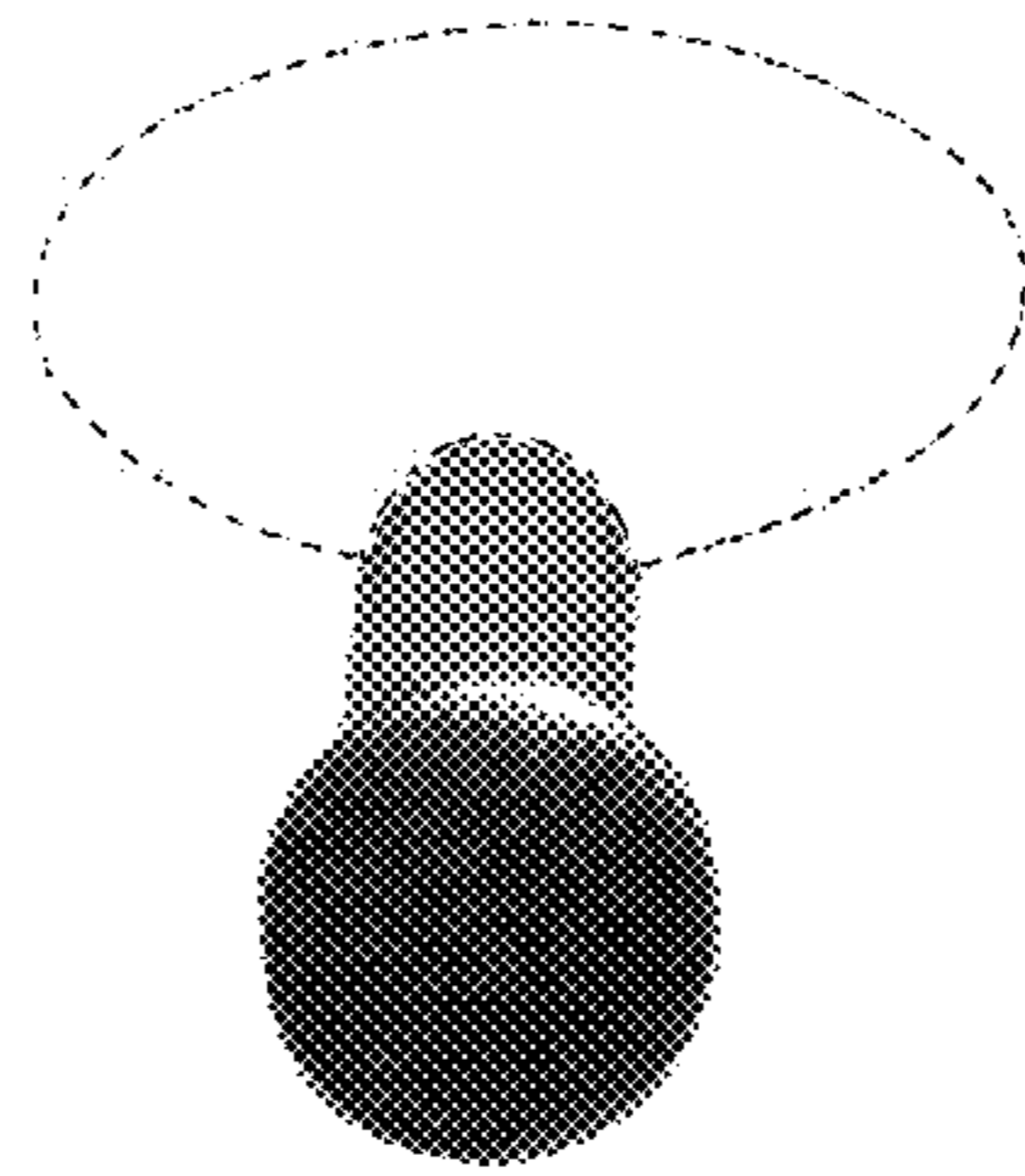


FIG. 6

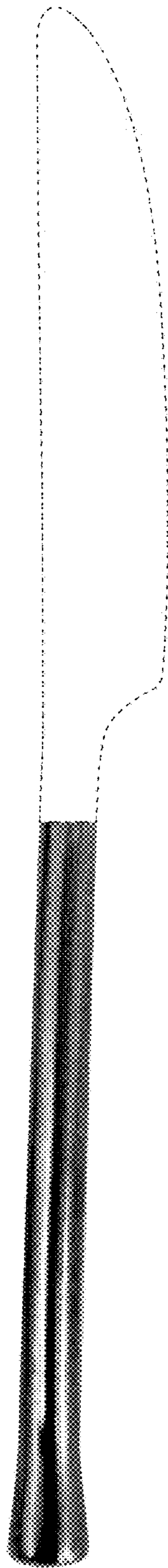


FIG. 7

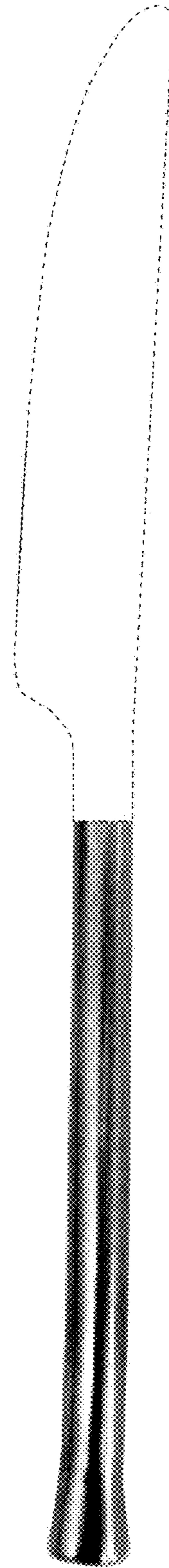


FIG. 8



FIG. 9



FIG. 10

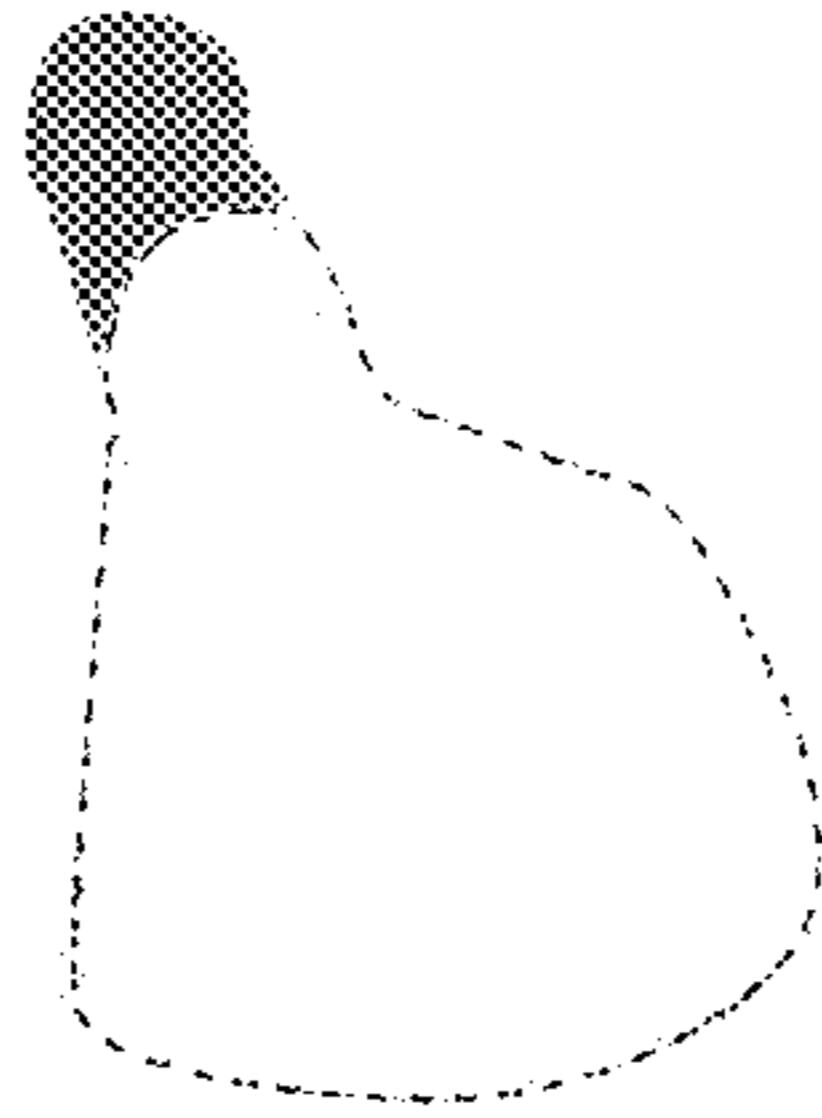


FIG. 11

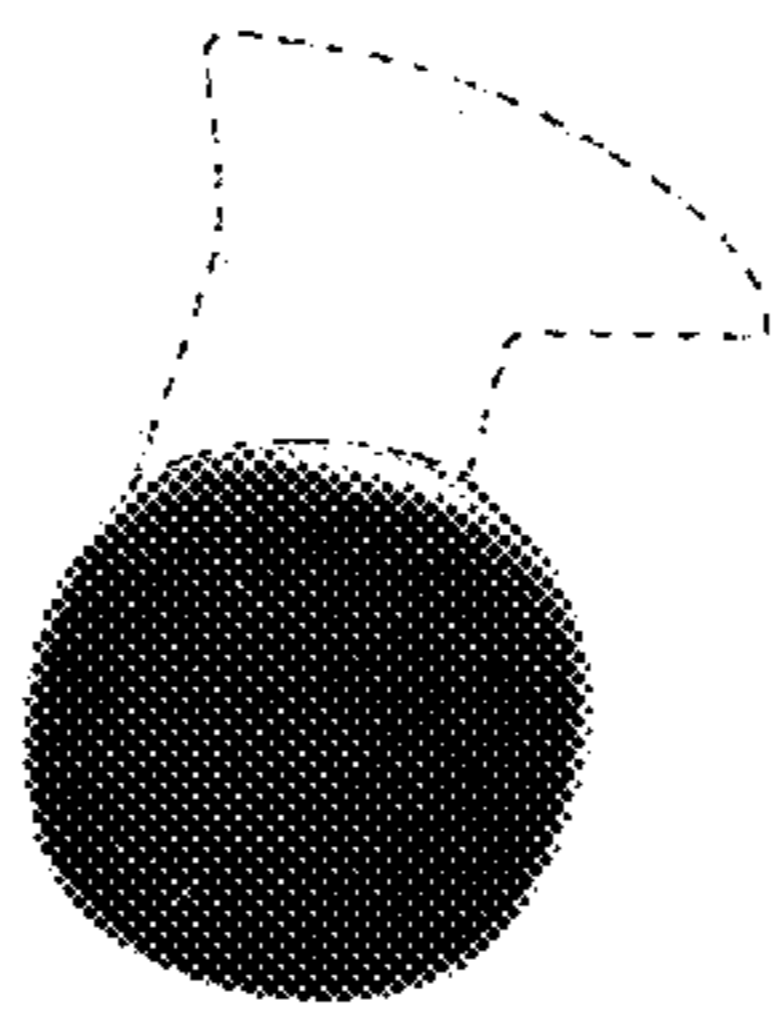


FIG. 12