



US00D831421S

(12) **United States Design Patent**
McConnell et al.

(10) **Patent No.:** **US D831,421 S**

(45) **Date of Patent:** **** Oct. 23, 2018**

(54) **FOOD PROCESSING ATTACHMENT**

(71) Applicant: **WHIRLPOOL CORPORATION**,
Benton Harbor, MI (US)

(72) Inventors: **John W. McConnell**, St. Joseph, MI
(US); **Wenkai Wu**, Aurora, IL (US)

(73) Assignee: **Whirlpool Corporation**, Benton
Harbor, MI (US)

(**) Term: **15 Years**

(21) Appl. No.: **29/589,335**

(22) Filed: **Dec. 30, 2016**

(51) **LOC (11) Cl.** **31-00**

(52) **U.S. Cl.**
USPC **D7/401.2; D7/381**

(58) **Field of Classification Search**
USPC D7/372, 376-386, 412-413, 602, 629,
D7/665-666, 669, 679, 693-694
CPC .. A21C 1/02; A21C 1/04; A21C 15/04; A23N
1/00; A23N 1/02; A23N 4/14; A23N
4/18; A47J 17/16; A47J 43/04; A47J
43/25; A47J 43/27; A47J 43/042; A47J
43/044; A47J 43/046; A47J 43/075; A47J
43/0722; A47J 43/0727; B01F 3/00; B01F
3/0807; B01F 3/0853; B01F 13/0059;
B01F 13/0064; B02C 1/08; B02C 2/04;
B02C 4/42; B02C 4/142; B02C 4/143;
B02C 4/423; B02C 13/1835; B26D 3/11;
B28C 5/10; B28C 5/12; B28C 5/14;
B28C 5/16

See application file for complete search history.

(56) **References Cited**

U.S. PATENT DOCUMENTS

256,214 A * 4/1882 Heizmann A23N 4/14
99/541
430,139 A * 6/1890 Meyer A47J 17/16
99/598

633,932 A * 9/1899 Williamson A47J 17/16
99/598
1,008,555 A * 11/1911 Mower A47J 17/16
99/573
1,966,186 A 7/1934 Remmsnider
2,307,829 A 1/1943 Ellis
2,361,241 A * 10/1944 Rogers A23N 4/18
99/592
2,410,683 A 11/1946 Marquez
2,464,993 A * 3/1949 Ross B26D 3/11
82/173

(Continued)

Primary Examiner — Ricky Pham

(74) *Attorney, Agent, or Firm* — Price Heneveld LLP

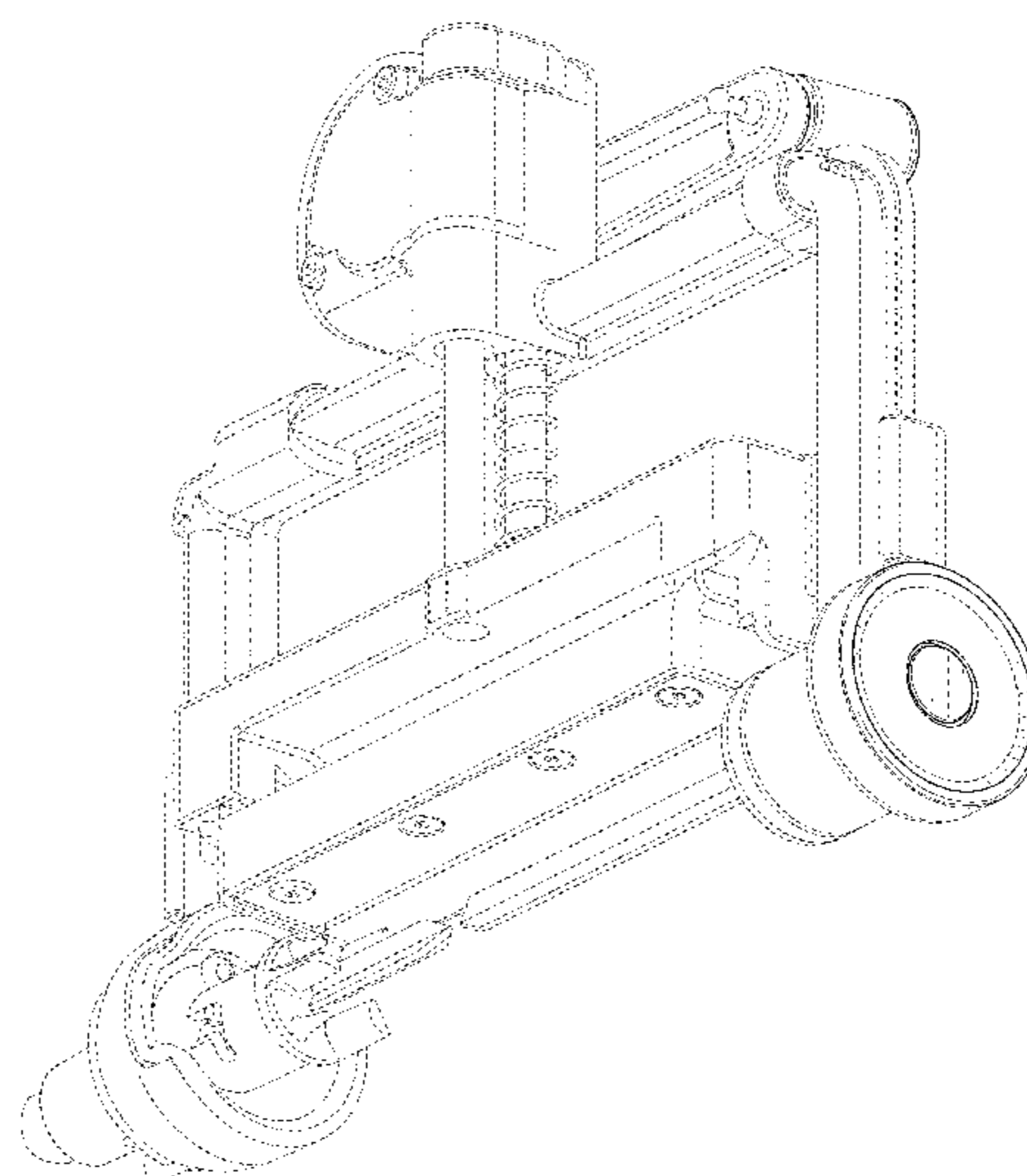
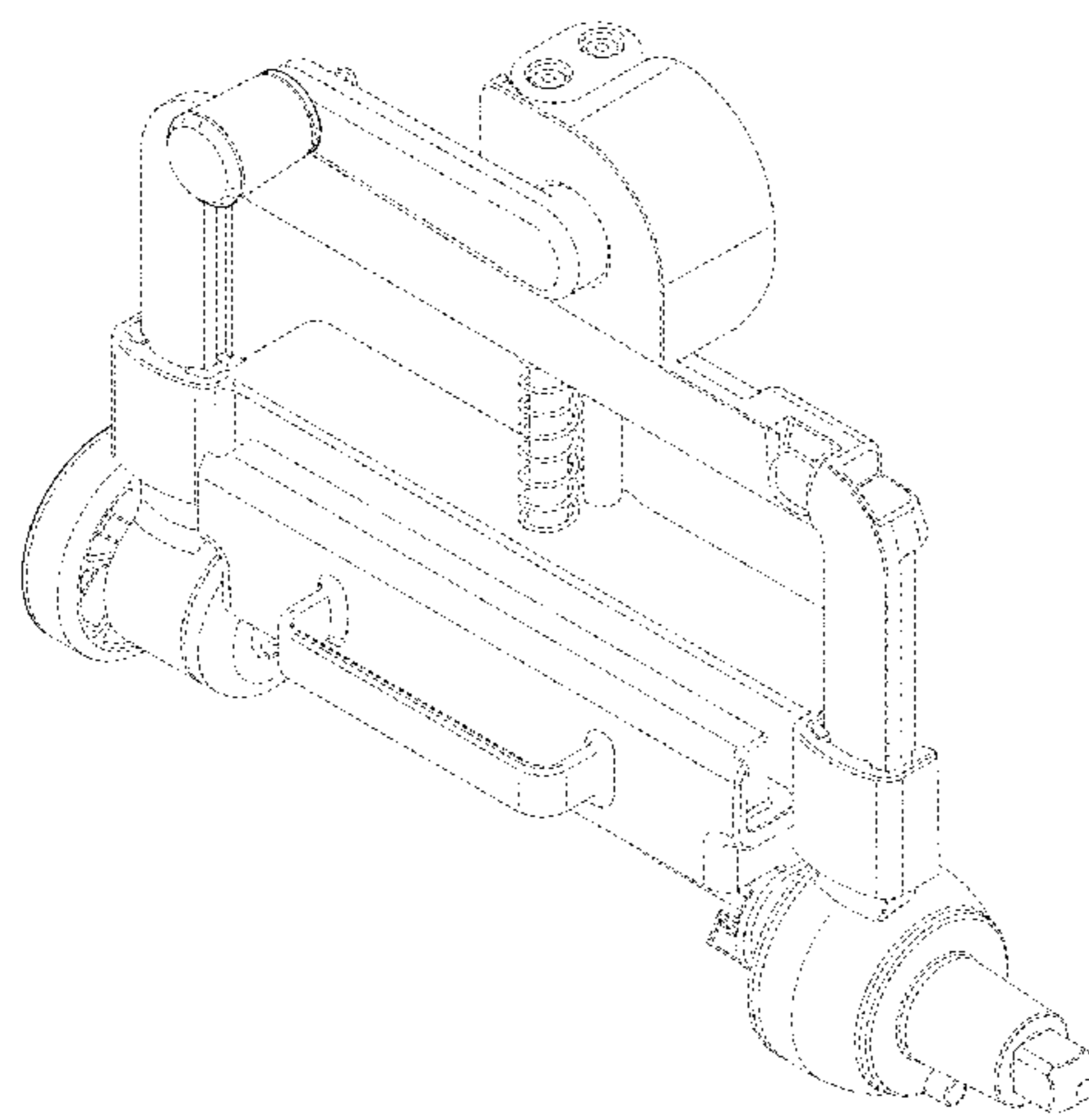
(57) **CLAIM**

We claim the ornamental design for a food processing attachment, as shown and described.

DESCRIPTION

FIG. 1 is a top perspective view of the food processing attachment of the present invention;
FIG. 2 is bottom perspective view of the food processing attachment of the present invention;
FIG. 3 is a first side elevation view of the food processing attachment of the present invention;
FIG. 4 is a second side elevation view of the food processing attachment of the present invention;
FIG. 5 is a third side elevation view of the food processing attachment of the present invention;
FIG. 6 is a fourth side elevation view of the food processing attachment of the present invention;
FIG. 7 is a top plan view of the food processing attachment of the present invention; and,
FIG. 8 is a bottom plan view of the food processing attachment of the present invention.
The broken lines in the figures are for contextual purposes or show the environment and form no part of the claimed design.

1 Claim, 7 Drawing Sheets



(56)

References Cited

U.S. PATENT DOCUMENTS

2,508,868 A * 5/1950 Ross B26D 3/11
241/276
2,566,568 A 9/1951 Ives
2,693,210 A * 11/1954 Gustafson A47J 17/16
99/485
3,881,406 A 5/1975 Perez
3,952,621 A 4/1976 Chambos
4,038,915 A 8/1977 Saito
5,557,998 A * 9/1996 Schwartz A21C 15/04
269/13
5,690,022 A 11/1997 Chai
D414,983 S * 10/1999 Wong D7/381
6,053,098 A * 4/2000 Yamamoto B26D 3/11
83/425.1
6,314,849 B1 11/2001 Arrasmith
6,523,464 B1 2/2003 Widelo
7,032,491 B2 4/2006 Fischer
D669,324 S * 10/2012 Bodum D7/693
D773,894 S * 12/2016 Benoit D7/381

* cited by examiner

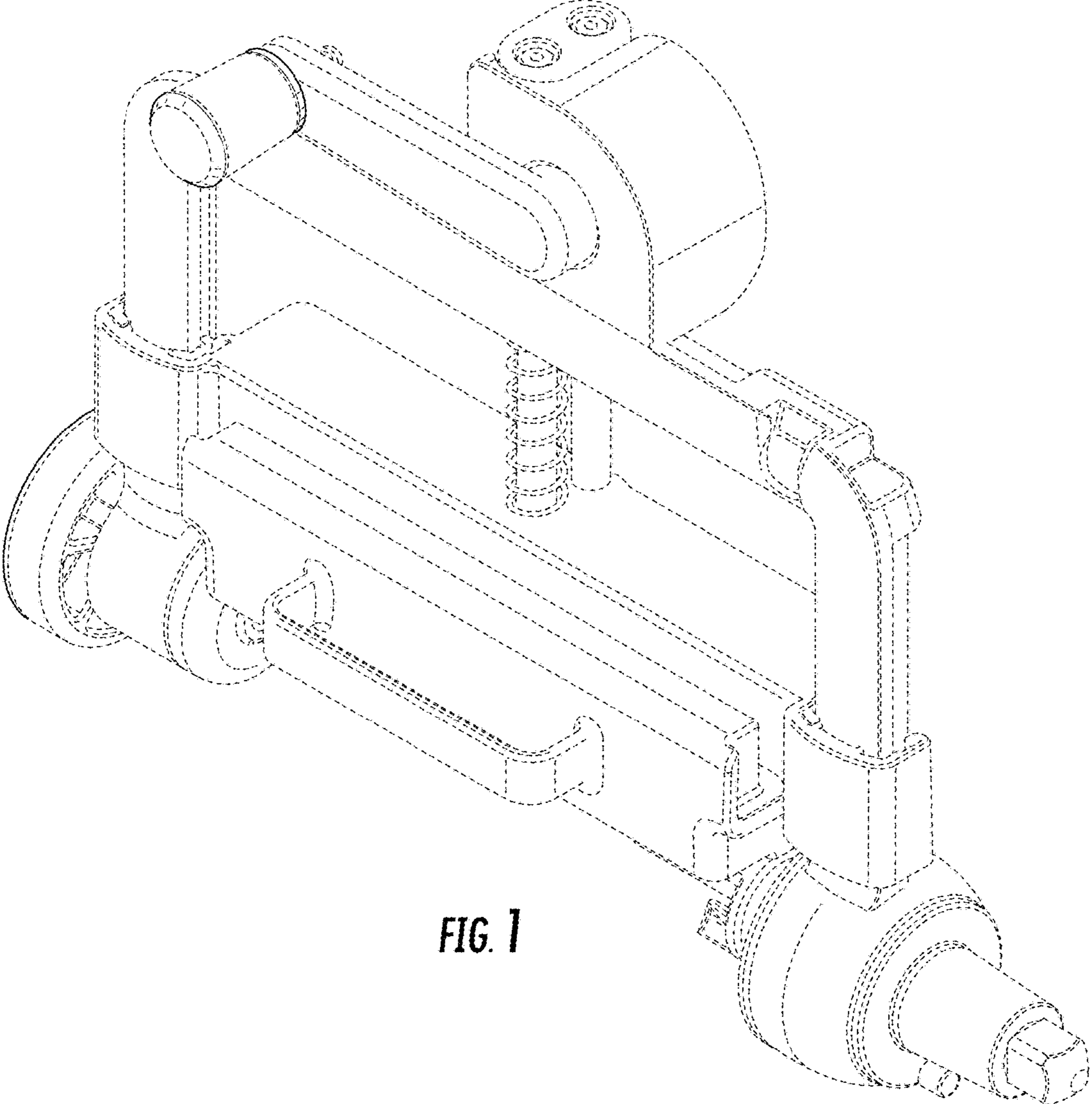


FIG. 1

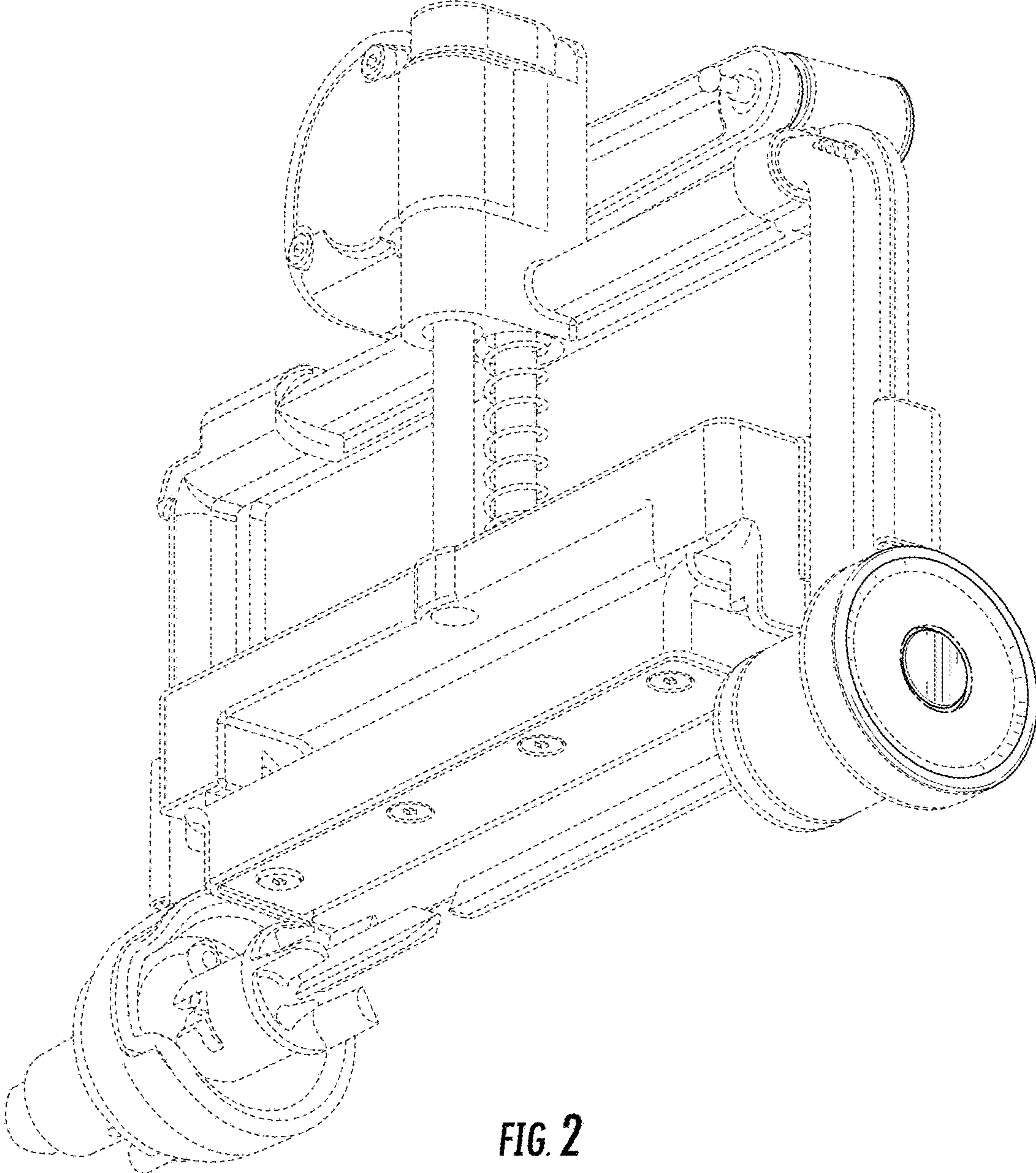


FIG. 2

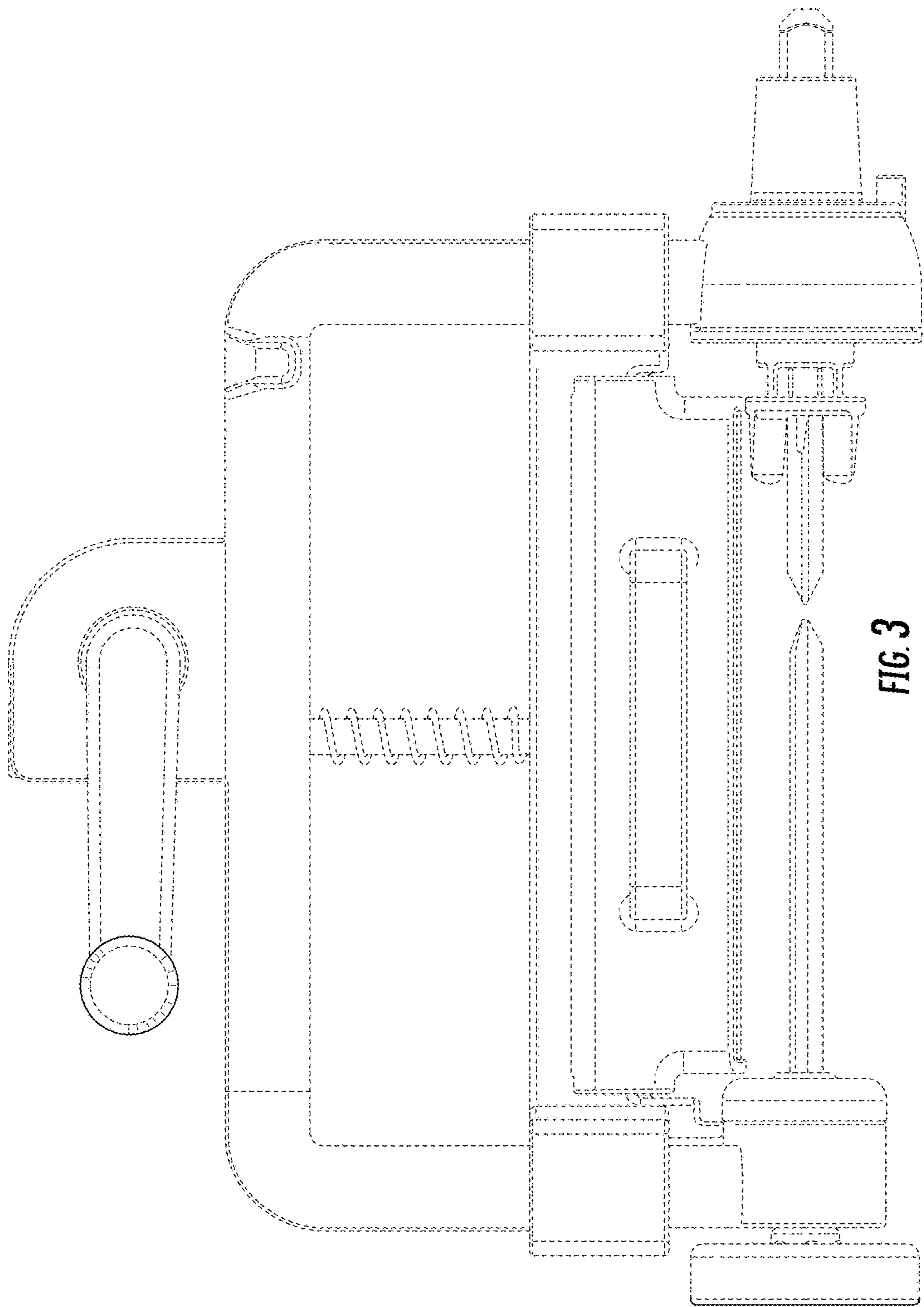


FIG. 3

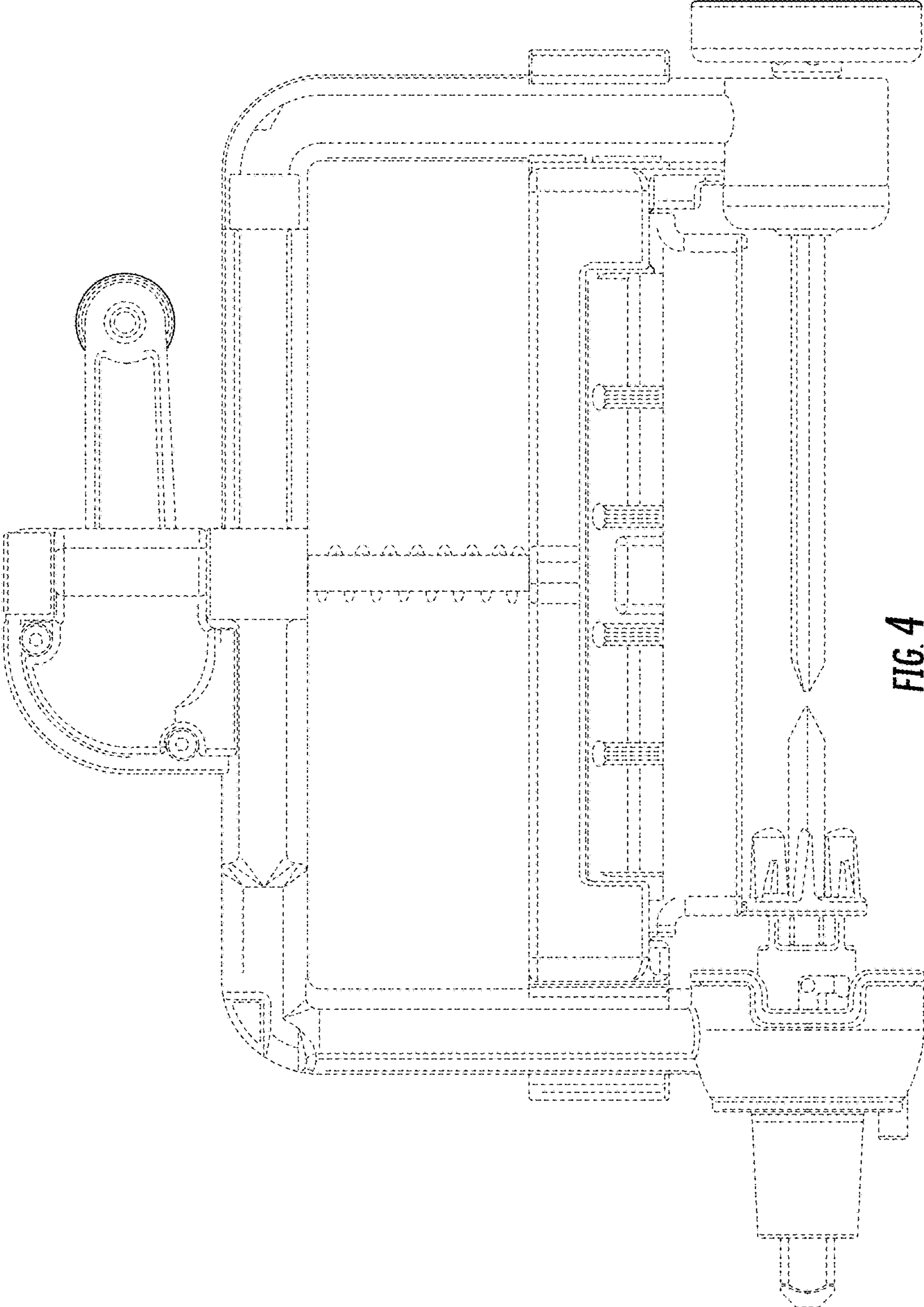


FIG. 4

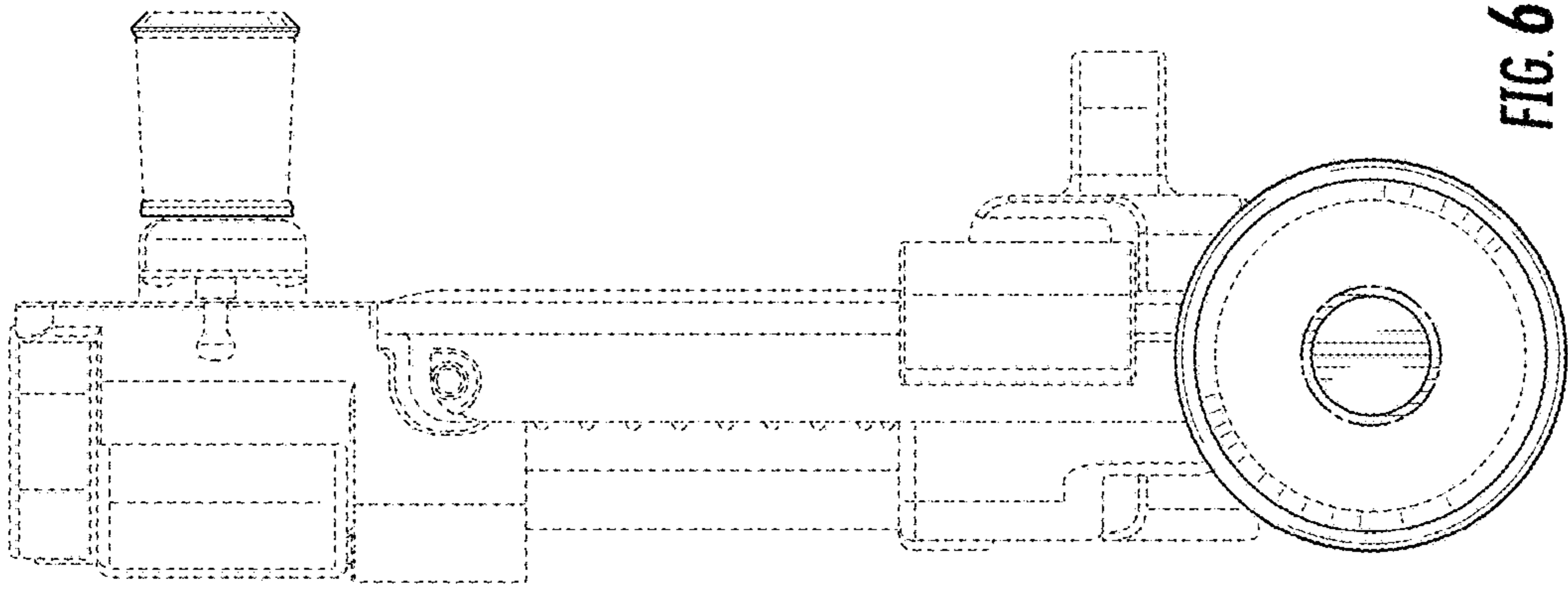


FIG. 6

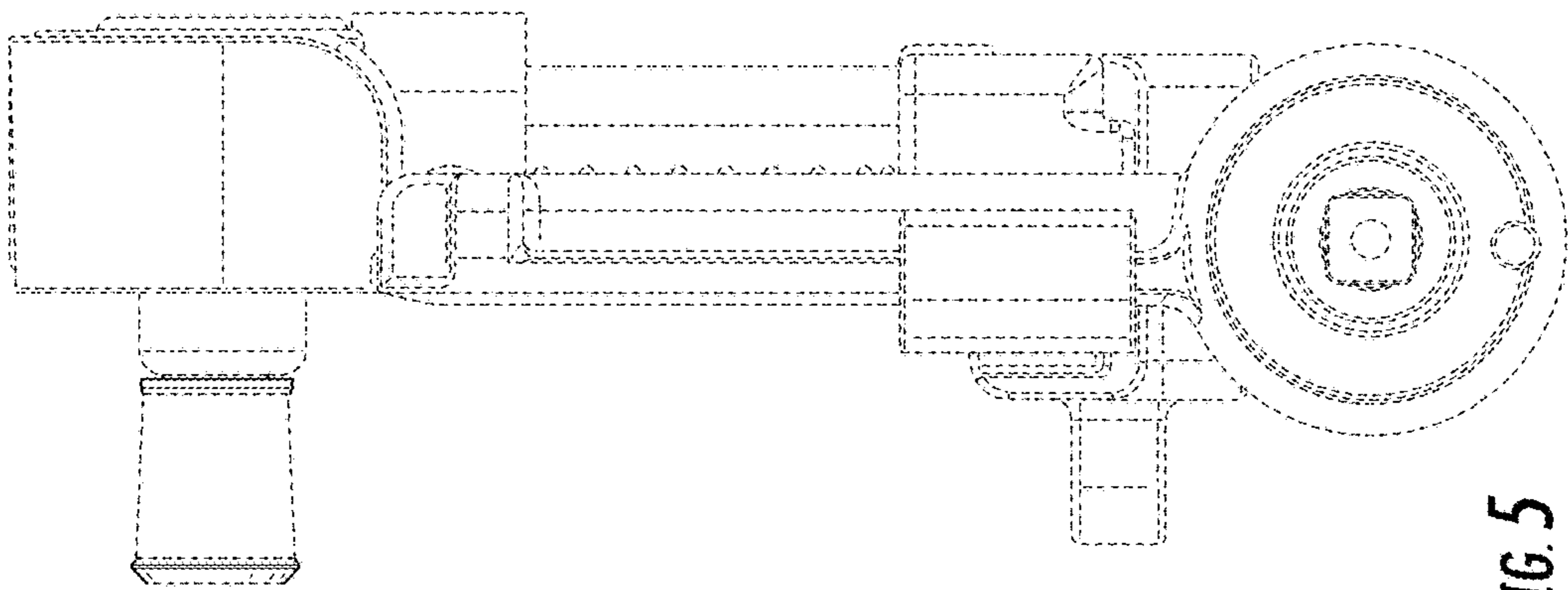


FIG. 5

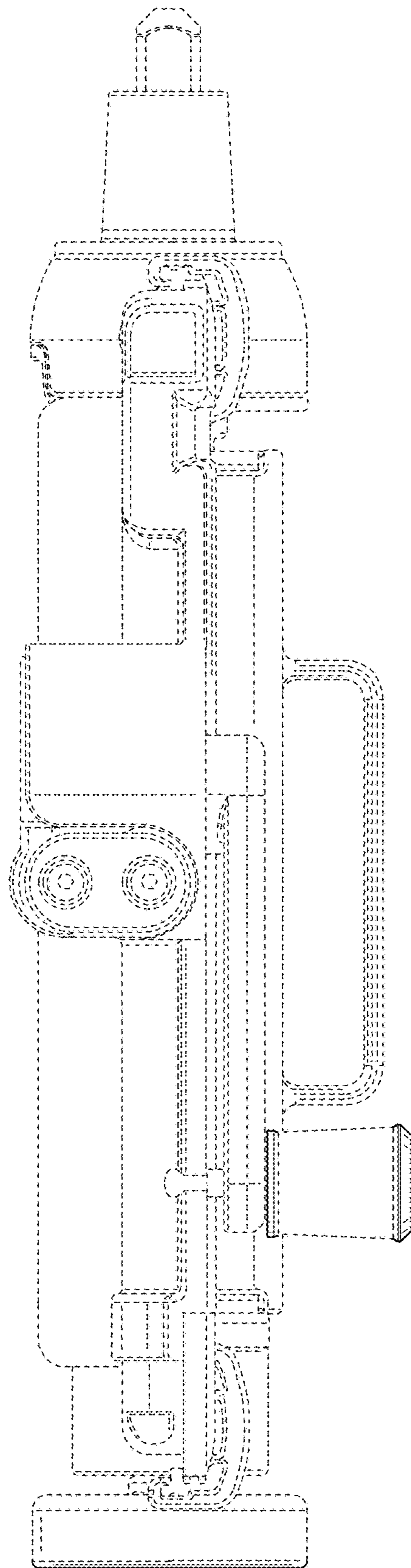


FIG. 7

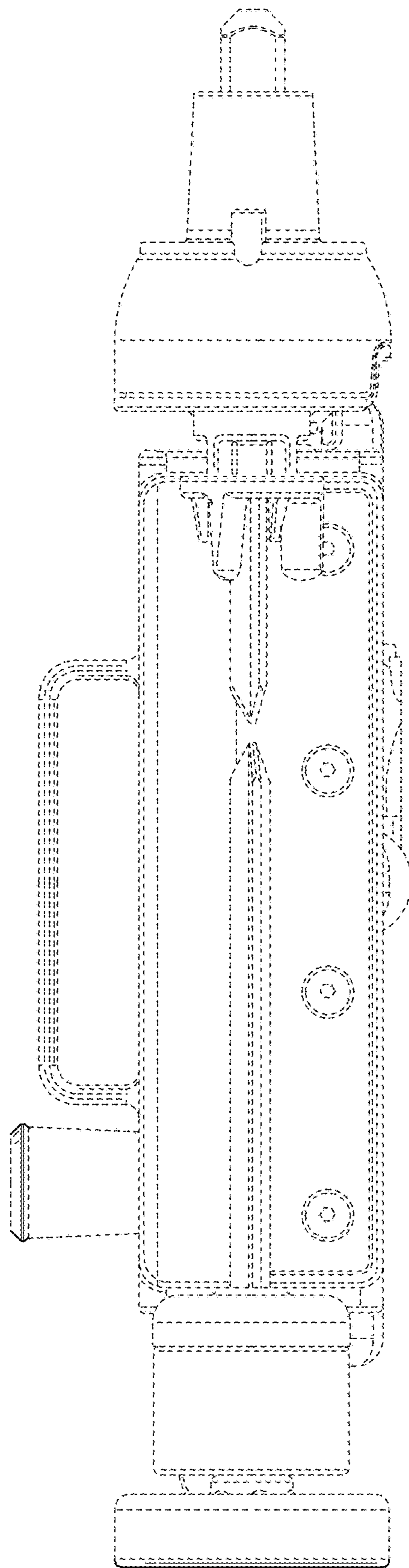


FIG. 8