



US00D831418S

(12) **United States Design Patent** (10) **Patent No.:** **US D831,418 S**
Kastner et al. (45) **Date of Patent:** **** Oct. 23, 2018**

(54) **COOKWARE HANDLE**

A47J 45/061; A47J 45/085; A47J 45/071;
A47J

(71) Applicant: **Meyer Intellectual Properties Limited,**
Kowloon (CN)

(Continued)

(72) Inventors: **Martin Kastner,** Chicago, IL (US);
Christoph Milz, Vallejo, CA (US)

(56) **References Cited**

U.S. PATENT DOCUMENTS

1,773,506 A 8/1930 Torndahl
D147,950 S 11/1947 Blazey

(73) Assignee: **Meyer Intellectual Properties Limited**
(VG)

(Continued)

FOREIGN PATENT DOCUMENTS

(**) Term: **15 Years**

CN 201213748 Y * 4/2009

(21) Appl. No.: **29/576,229**

OTHER PUBLICATIONS

(22) Filed: **Sep. 1, 2016**

Japanese Office Action dated Jun. 27, 2017 issued in connection
with Japanese Design Application No. 2016-018858.

(Continued)

Related U.S. Application Data

(63) Continuation of application No. 29/556,562, filed on
Mar. 1, 2016, now Pat. No. Des. 812,414.

Primary Examiner — Barbara Fox

Assistant Examiner — Messina L Smith

(51) **LOC (11) Cl.** **07-99**

(74) *Attorney, Agent, or Firm* — Akerman LLP

(52) **U.S. Cl.**

(57) **CLAIM**

USPC **D7/395**

The ornamental design for a cookware handle, as shown and
described.

(58) **Field of Classification Search**

DESCRIPTION

USPC D7/323, 330–331, 337, 339, 347,
D7/350–367, 378–384, 391–396, 401.2,
D7/402, 409, 542–545, 560, 664;
D8/107, 300, 303, 307, 313, 321;
D4/129, 138

FIG. 1 is a perspective view of the “cookware handle”
showing my new design;

FIG. 2 is a front view thereof;

FIG. 3 is a back view thereof;

FIG. 4 is a right side view thereof;

FIG. 5 is a left side view thereof;

FIG. 6 is a top view thereof;

FIG. 7 is a bottom view thereof;

FIG. 8 is a perspective view of a second embodiment of the
“cookware handle”;

FIG. 9 is a front view of the embodiment of FIG. 8;

FIG. 10 is a back view of the embodiment of FIG. 8;

FIG. 11 is a right side view of the embodiment of FIG. 8;

(Continued)

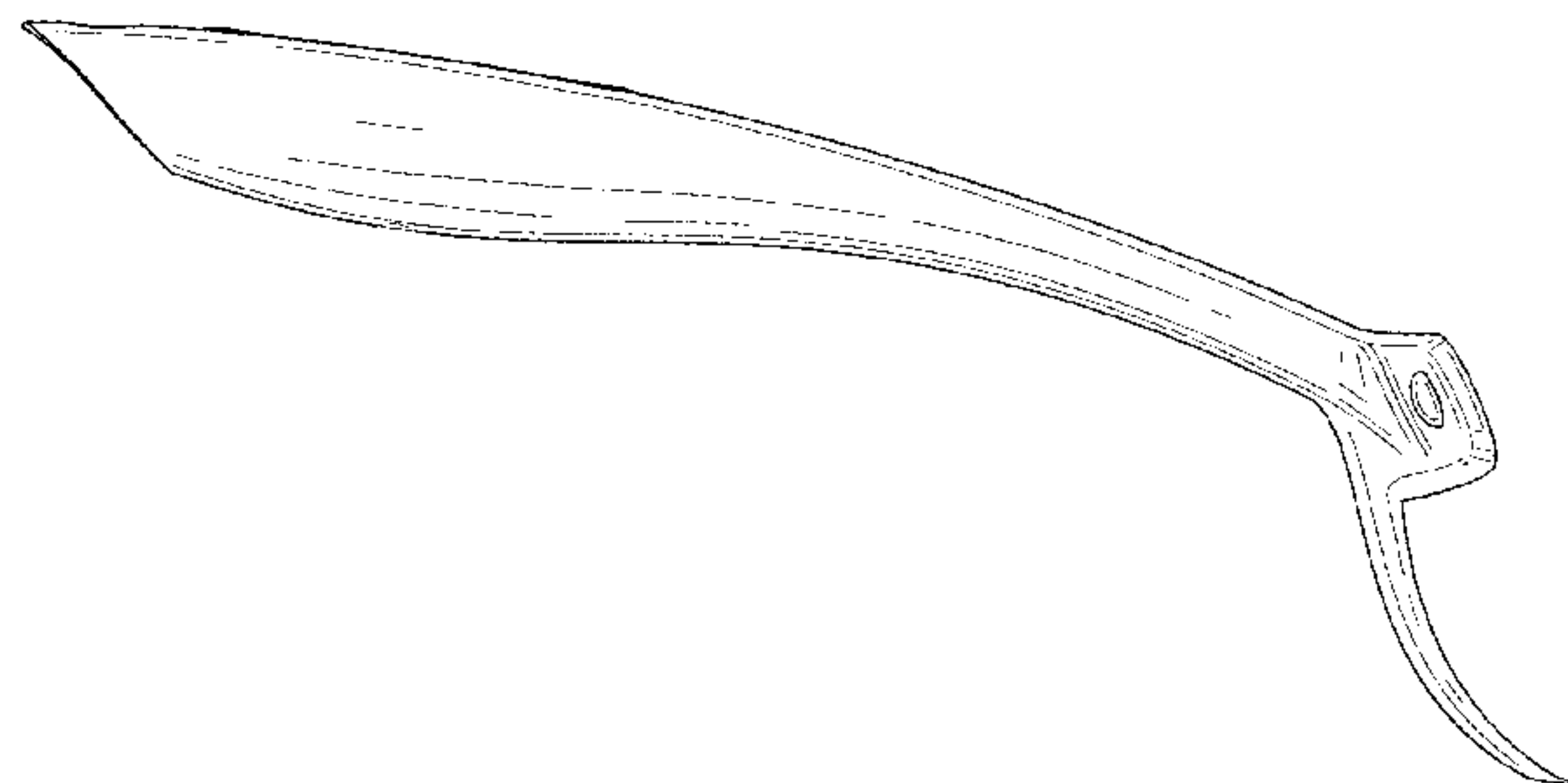
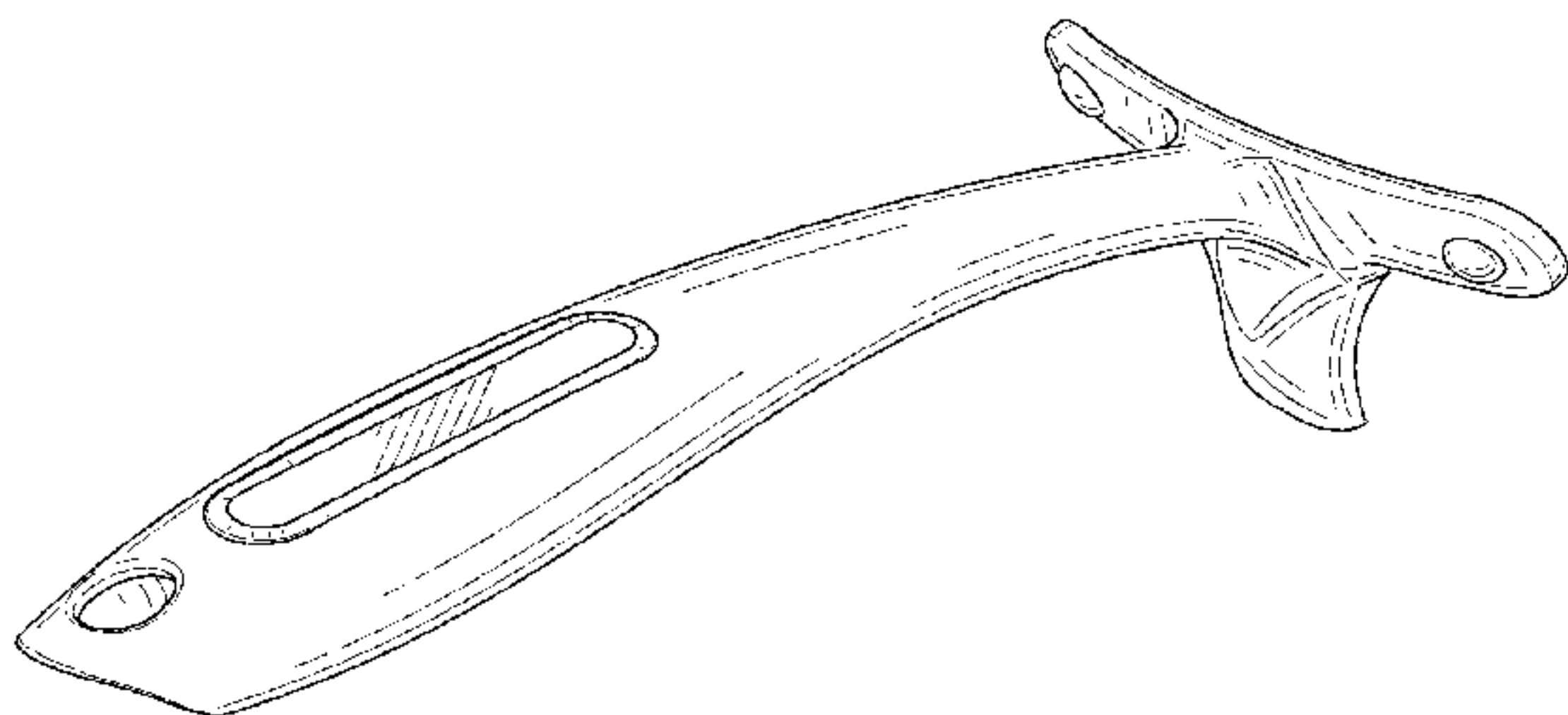


FIG. 12 is a left view of the embodiment of FIG. 8;
 FIG. 13 is a top view of the embodiment of FIG. 8; and,
 FIG. 14 is a bottom view of the embodiment of FIG. 8.
 The broken lines in the figures illustrate portions of the
 cookware handle that form no part of the claimed design.

1 Claim, 14 Drawing Sheets

(58) **Field of Classification Search**

CPC 45/072; B65D 25/2802; B65D 25/2882;
 B65D 25/2885; B65D 25/2888; B65D
 25/2894; G07F 17/0064; G07F 17/0078;
 G07F 17/0085; H05B 6/12; H05B
 6/1227; Y10S 220/912

See application file for complete search history.

(56) **References Cited**

U.S. PATENT DOCUMENTS

D263,441	S	3/1982	Johnson et al.	
D273,755	S	5/1984	Thurlow	
D274,402	S	6/1984	Ziskind	
D368,828	S	4/1996	Thurlow	
D370,826	S	6/1996	Thurlow	
D418,009	S	12/1999	Banc	
D431,149	S	9/2000	Cooke et al.	
D431,411	S	10/2000	Chang	
D438,754	S	3/2001	Mendelson	
D440,463	S *	4/2001	Groll	D7/395
D450,217	S *	11/2001	Rae	D7/393
6,419,107	B1	7/2002	Cheng	
D468,583	S *	1/2003	Kerulis	D7/395
D479,432	S	9/2003	Barker	
D488,670	S	4/2004	Chan	
D494,412	S *	8/2004	Prakasa	D7/395
D496,555	S	9/2004	Rommelfanger et al.	
D543,772	S	6/2007	Roussard	
D548,518	S	8/2007	Rae	
D550,030	S	9/2007	Peterson	
D555,421	S	11/2007	Thurlow et al.	
D555,972	S *	11/2007	Rae	D7/395
D557,062	S	12/2007	Henry	
D560,427	S *	1/2008	Prakasa	D7/395
D560,428	S *	1/2008	Prakasa	D7/395
D560,429	S *	1/2008	Prakasa	D7/395
D575,578	S	8/2008	Ball	
D576,446	S	9/2008	Rae	
D579,714	S	11/2008	Cheng et al.	
D584,105	S	1/2009	Moulin Robson	
D592,450	S	5/2009	Rae	
D592,902	S	5/2009	Currie	
D598,702	S	8/2009	Hoekstra	
D612,193	S	3/2010	Darling	
D614,908	S	5/2010	Berge	
D614,909	S	5/2010	Lavy	
D622,541	S	8/2010	Josancy	
D625,950	S	10/2010	Regnart	
D642,015	S	7/2011	Rae	
D658,436	S	5/2012	Rae	
D663,576	S	7/2012	McEldowney	
D666,272	S	8/2012	Shi et al.	
D682,022	S *	5/2013	Rae	D7/395
D685,222	S	7/2013	Dang	

D693,634	S	11/2013	Lee et al.	
D693,635	S	11/2013	Lee et al.	
D693,636	S *	11/2013	Sweet	D7/395
D693,637	S *	11/2013	Sweet	D7/395
D693,638	S *	11/2013	Sweet	D7/395
D704,505	S *	5/2014	Clabots	D7/395
D728,998	S	5/2015	Barberi	
D757,488	S	5/2016	McConnell et al.	
D761,613	S	7/2016	Moon et al.	
D763,618	S	8/2016	Feng et al.	
D783,343	S *	4/2017	Barberi	D7/395
D790,271	S *	6/2017	Ryan	D7/395
D809,337	S *	2/2018	Chen	D7/395
D810,501	S	2/2018	Kastner et al.	
D812,414	S *	3/2018	Kastner	D7/361
D814,859	S	4/2018	Kastner et al.	
2001/0042753	A1	11/2001	Park	
2004/0200851	A1	10/2004	Wooderson	
2011/0260023	A1	10/2011	Braun	
2012/0055347	A1	3/2012	Kim	
2015/0196157	A1	7/2015	Swisth	

OTHER PUBLICATIONS

Nonstick Jumbo Cooker / Sauté Pan Grey 11 inches—Deep Frying Pan Cookware with Glass Lid, posted at Amazon.com, posted on Mar. 31, 2015, site visited Feb. 8, 2017, <https://www.amazon.com/Nonstick-Jumbo-Cooker-Sau%C3%A9-inches/dp/BOOVGZ9XVA/ref=sr_1_1?ie=UTF8&qid=1486570885&sr=8-1&keywords=deep+frying+pan+with+lid>.

Stainless Steel Saucier Pan, posted at LeCreuset.com, posted on Dec. 18, 2016, site visited Feb. 8, 2017, <<http://www.lecreuset.com/stainless-steel-saucier-pans>>.

Revere® Copper Confidence Core™ 2-qt Stainless Steel Sauce Pot w/ Lid, posted at Revereware.com, no posting date given, © 2017, site visited Feb. 8, 2017, <<http://www.revereware.com/copper-confidence-core%E2%084%A2-2-qt-stainless-steel-sauce-pot-w%2F-lid/1123142.html>>.

The Kitchen Craft Difference, posted at Kitchencraftcookware.com, no posting date given, © 2017, <<http://www.kitchencraftcookware.com/about-us/>>.

Frieling USA Black Cube Hybrid Stainless/Nonstick Cookware Tempered Glass Lid, 8-Inch Diameter, posted at Amazon.com, posted on Sep. 24, 2015, site visited Feb. 8, 2017, <https://www.amazon.com/Frieling-Stainless-Nonstick-Cookware-Tempered/dp/B015XX9FF4/ref=sr_1_7?ie=UTF8&qid=1486571221&sr=8-7&keywords=glass+and+metal+pan+lid>.

Visual kitchen pot lid tempered glass cover large non-stick saucepan skillet stainless steel, posted at Aliexpress.com, no posting date given, © 2010-2016, site visited Feb. 8, 2017, <https://www.aliexpress.com/store/product/Visual-kitchen-pot-lid-tempered-glass-cover-large-non-stick-saucepan-skillet-stainless-steel-wok-lid/1726173_32453754257.html>.

10-piece Stainless Steel Cookware Set with Glass Lids, posted at Houzz.com, no posting date given, © 2017, <<http://www.houzz.com/photos/5834412/10-piece-Stainless-Steel-Cookware-Set-with-Glass-Lids-contemporary-cookware-sets>>.

Visions® 2.25L Casserole, 2.5L Saucepan / Stewpot Glass Lid, posted at Corningware.com, posted on Mar. 3, 2016, site visited Feb. 8, 2017, <<http://www.corningware.com/2.251-casserole,-2.51-saucepan-%2F-stewpot-glass-lid/1122299.html>>.

Design U.S. Appl. No. 29/576,280, filed Mar. 28, 2018.

Design U.S. Appl. No. 29/576,249, filed Mar. 22, 2018.

* cited by examiner

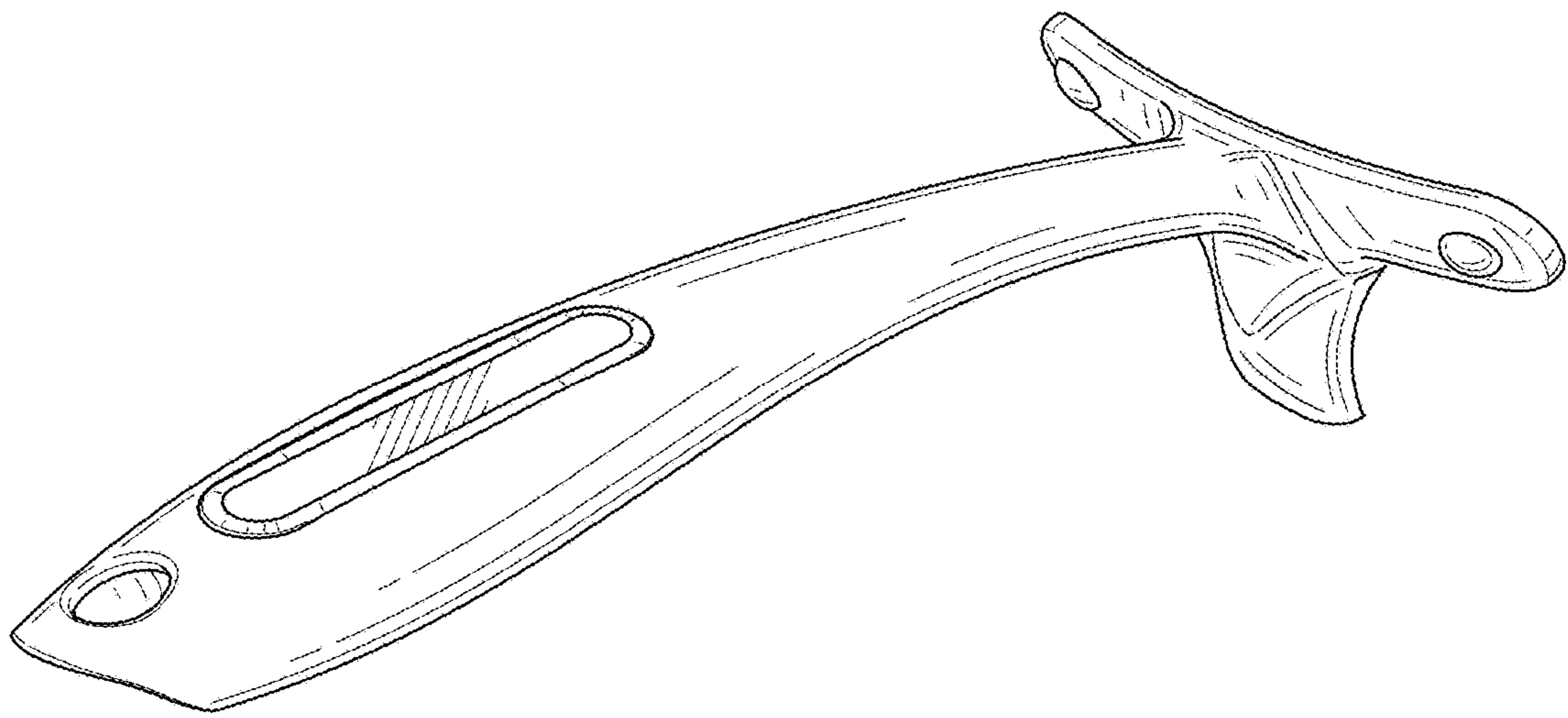


FIG. 1

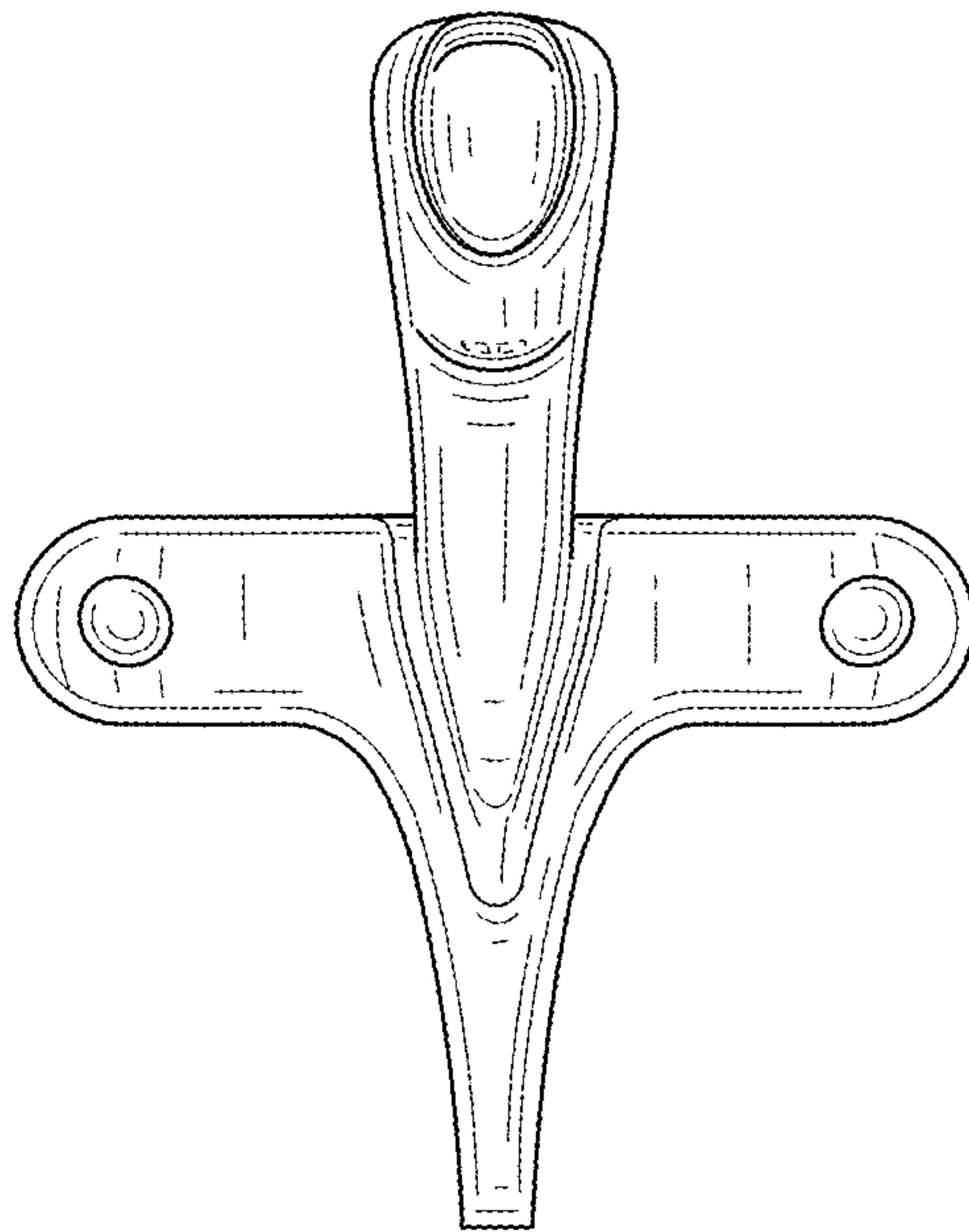


FIG. 2

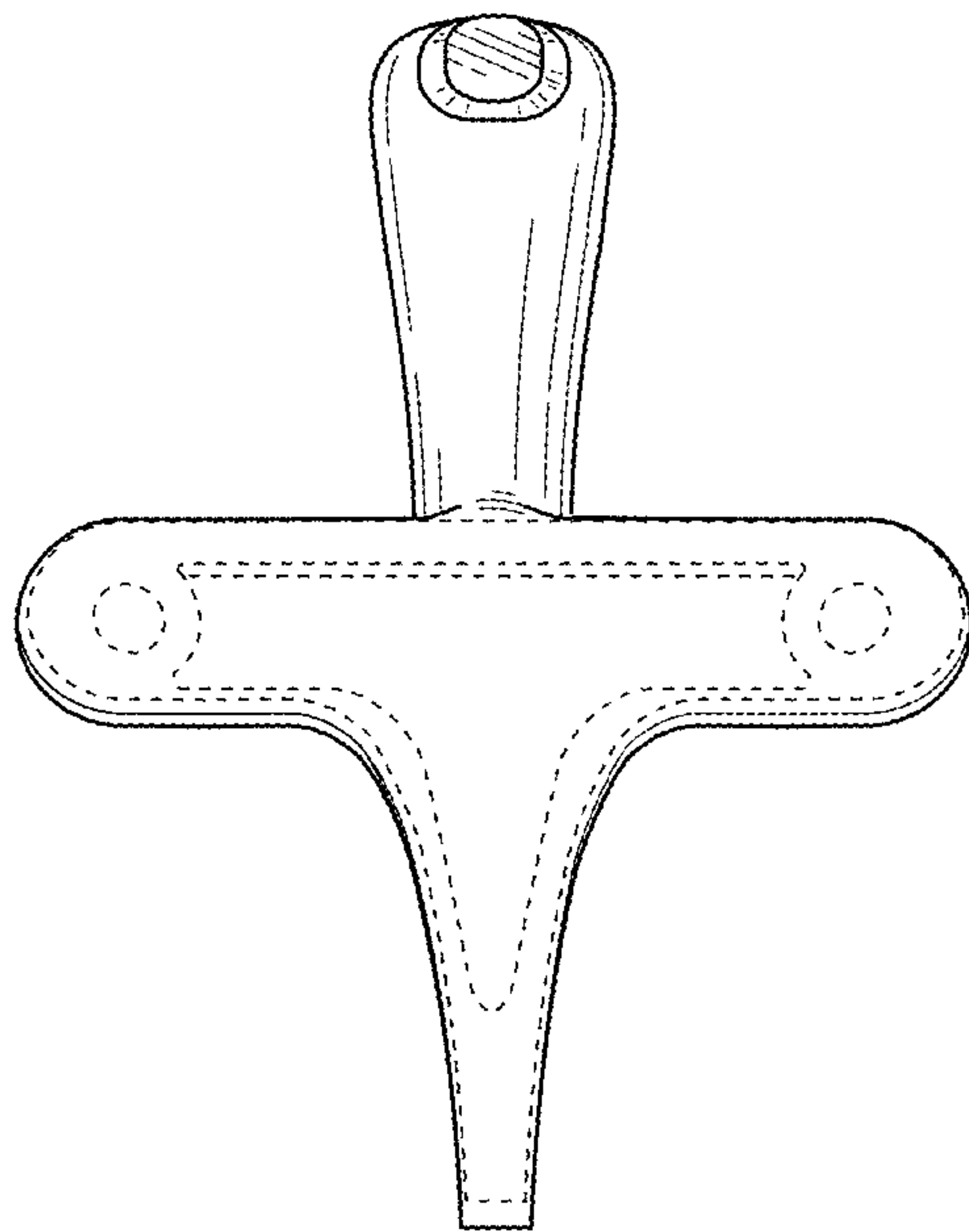


FIG. 3

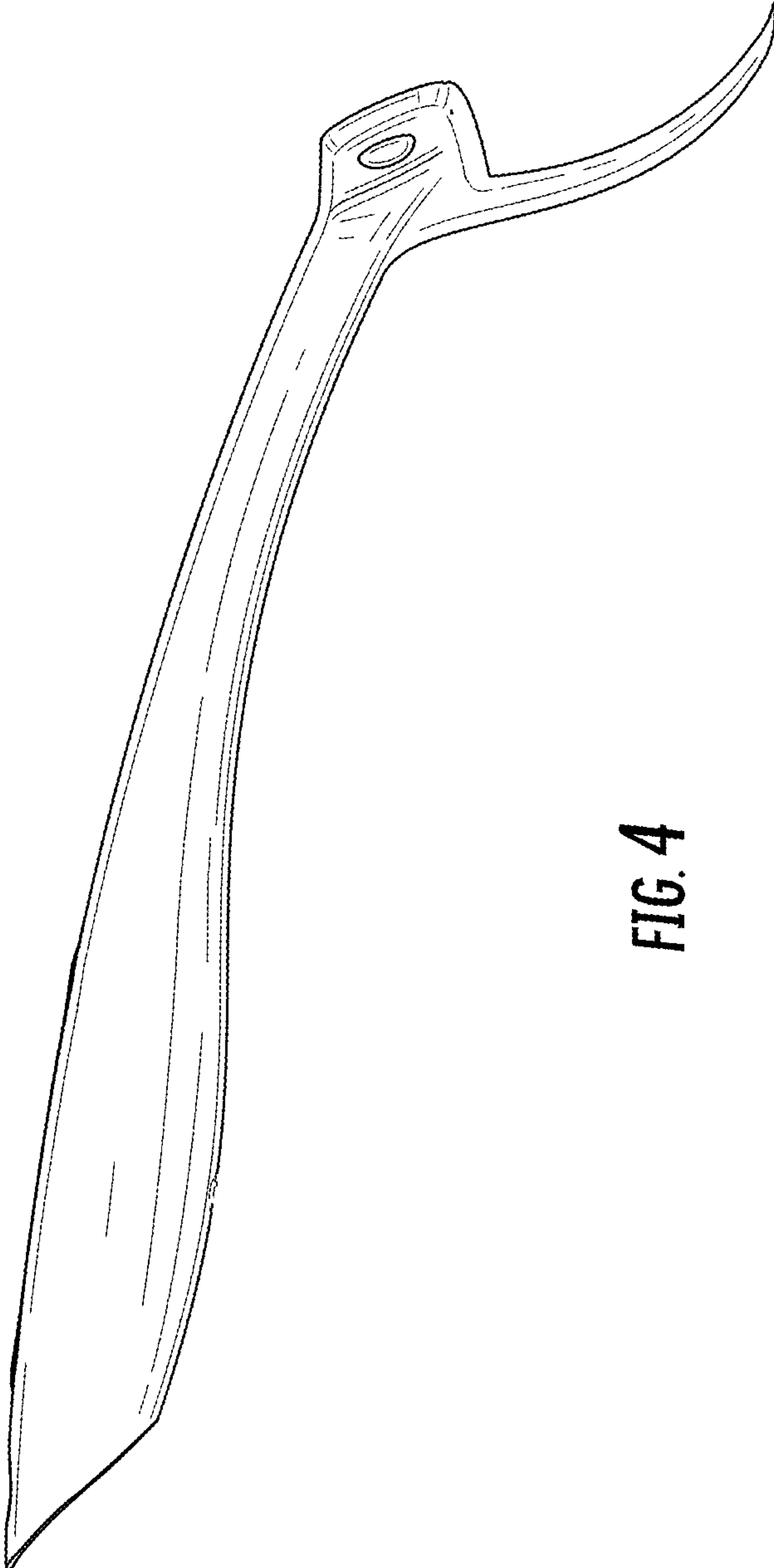


FIG. 4

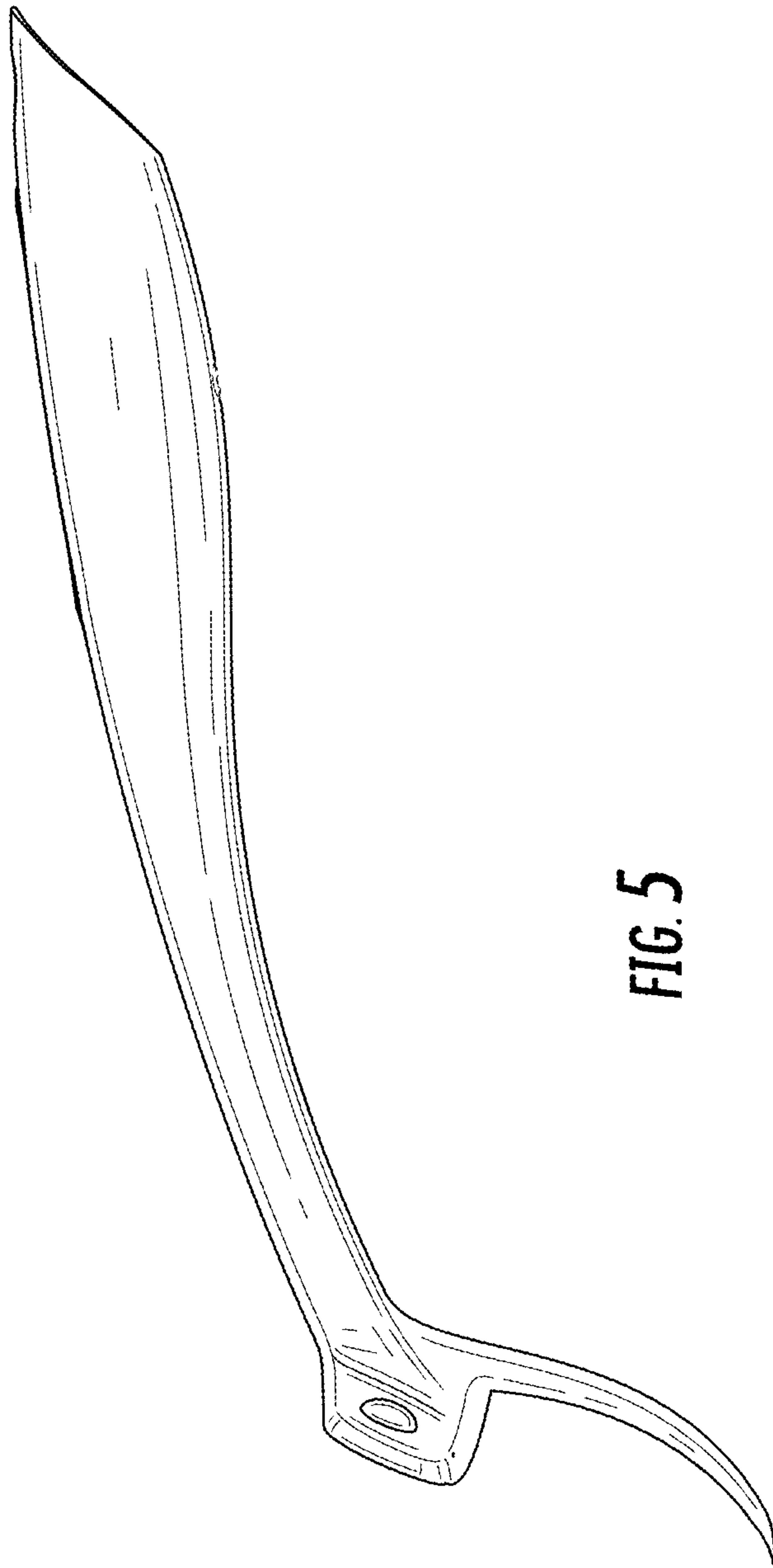


FIG. 5

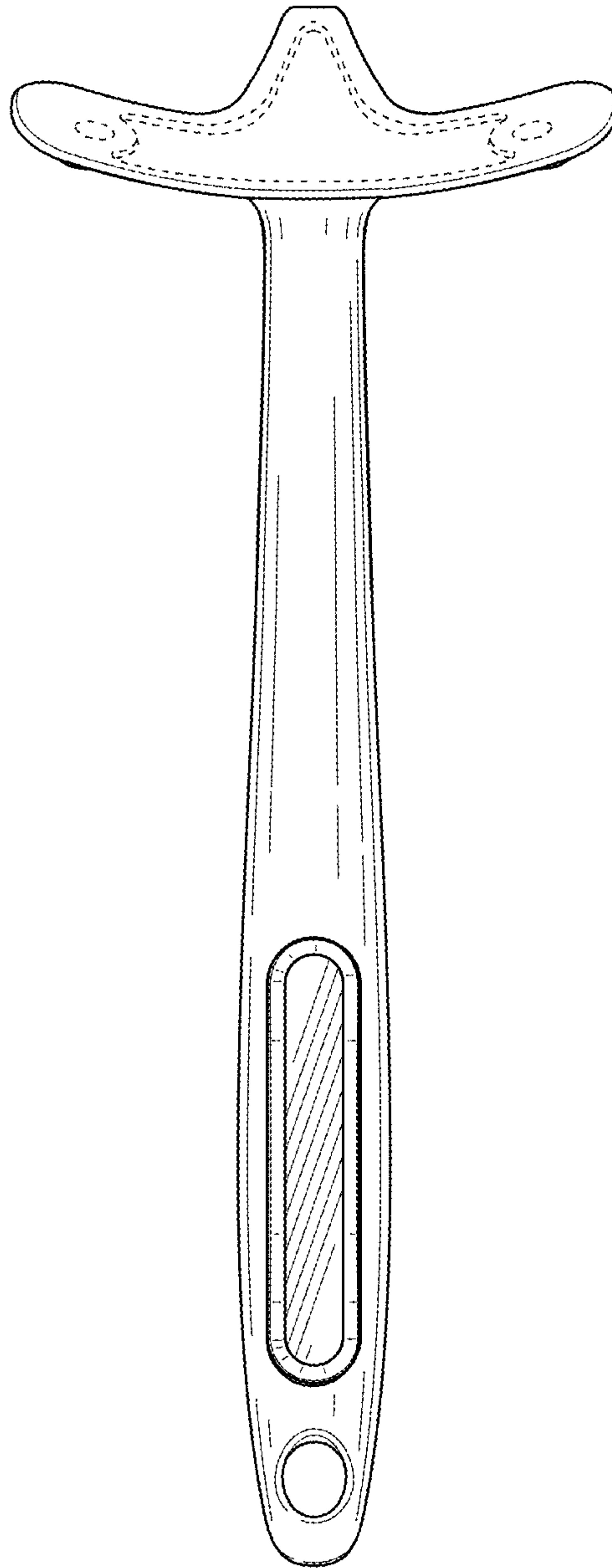


FIG. 6

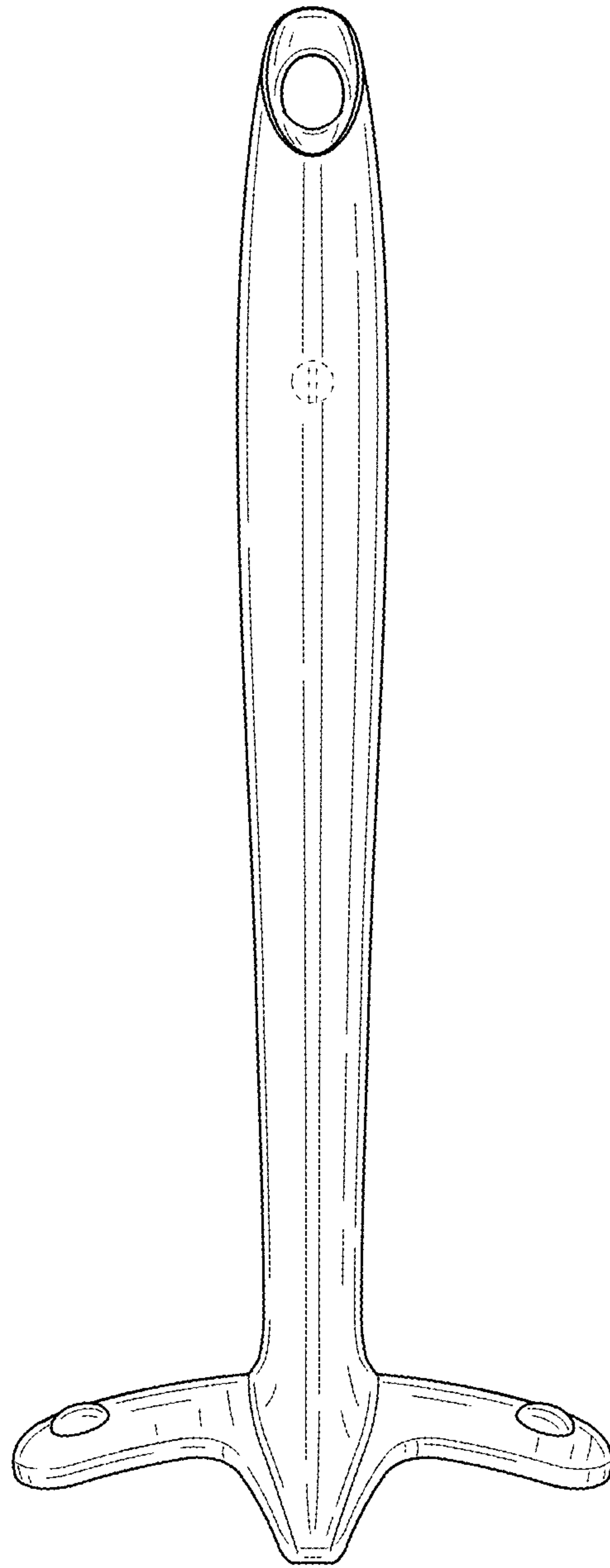


FIG. 7

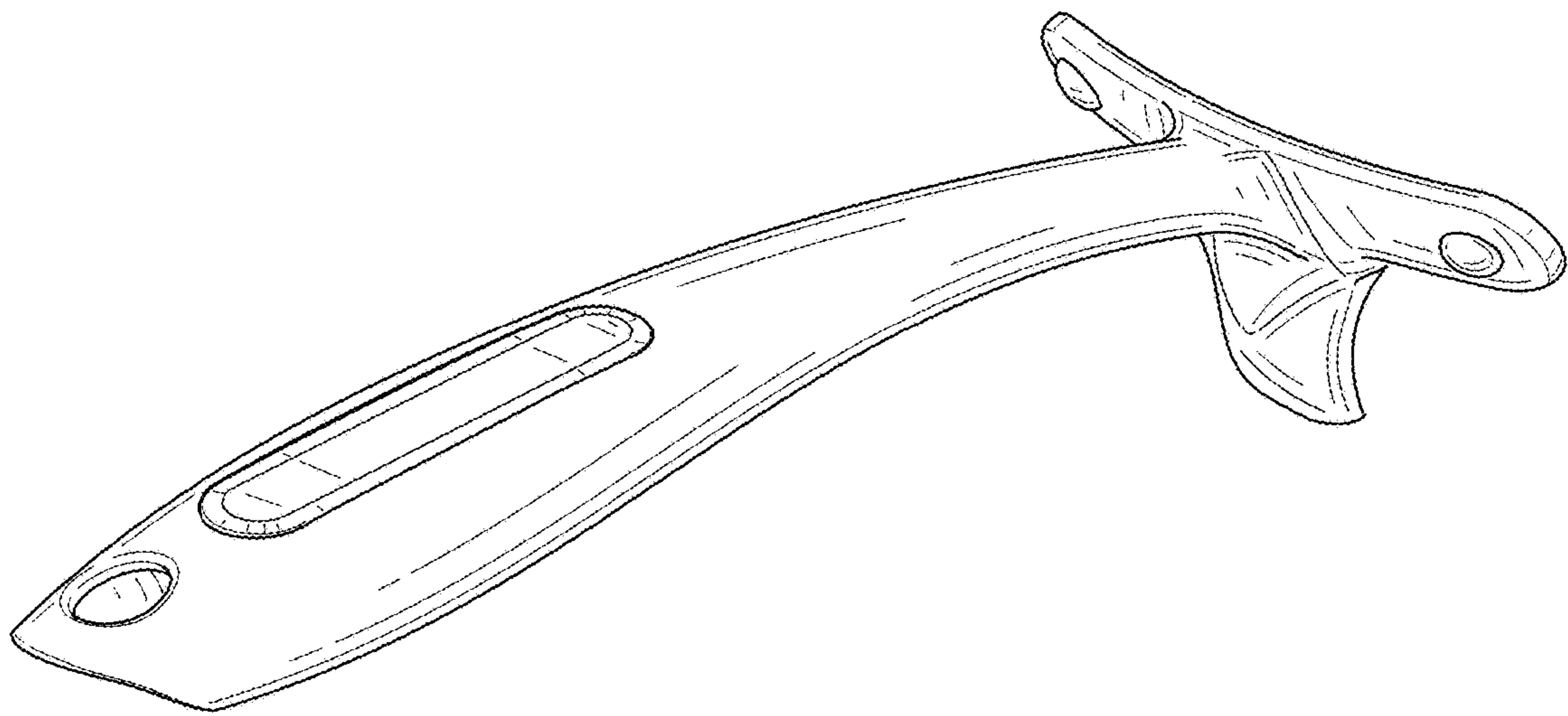


FIG. 8

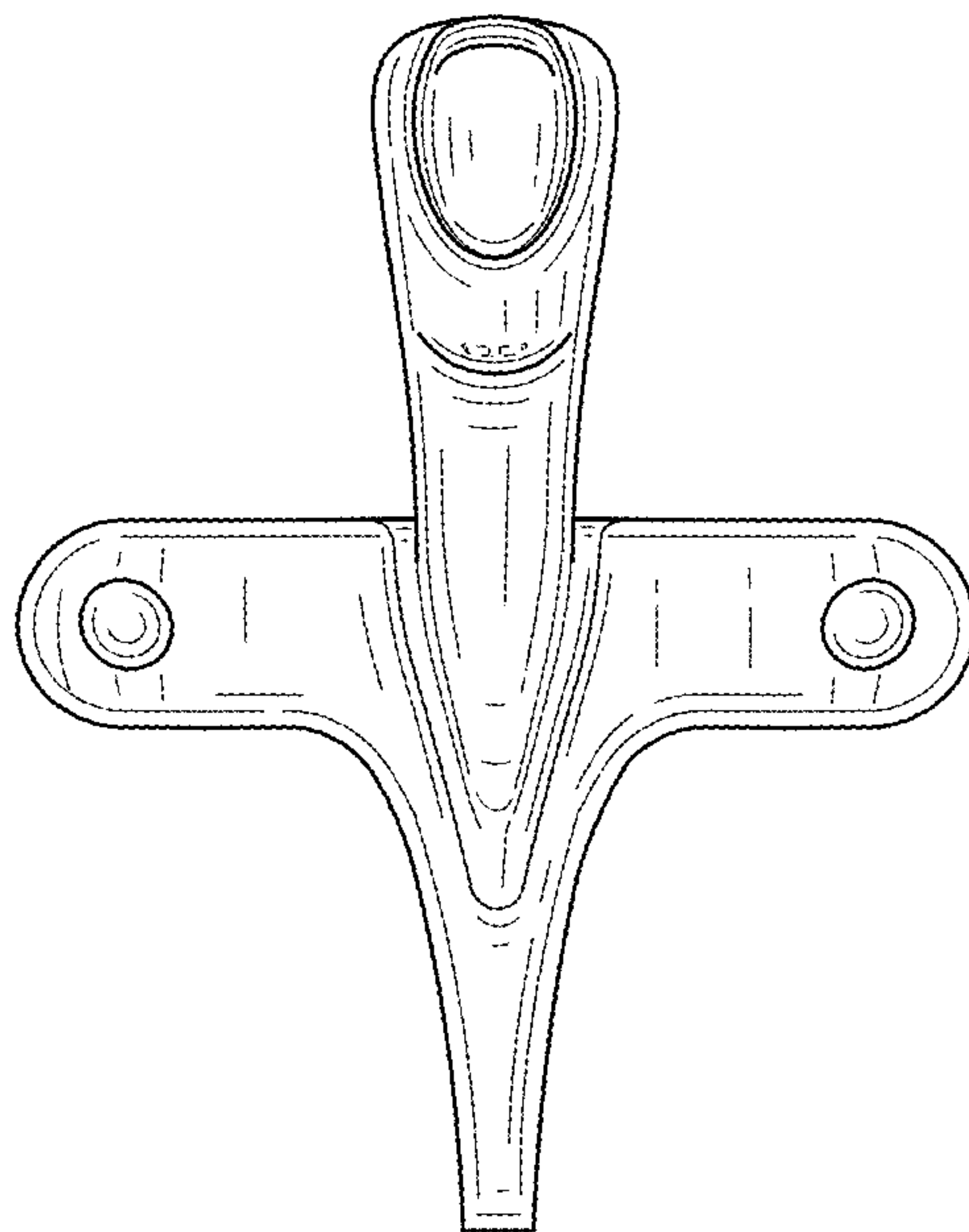


FIG. 9

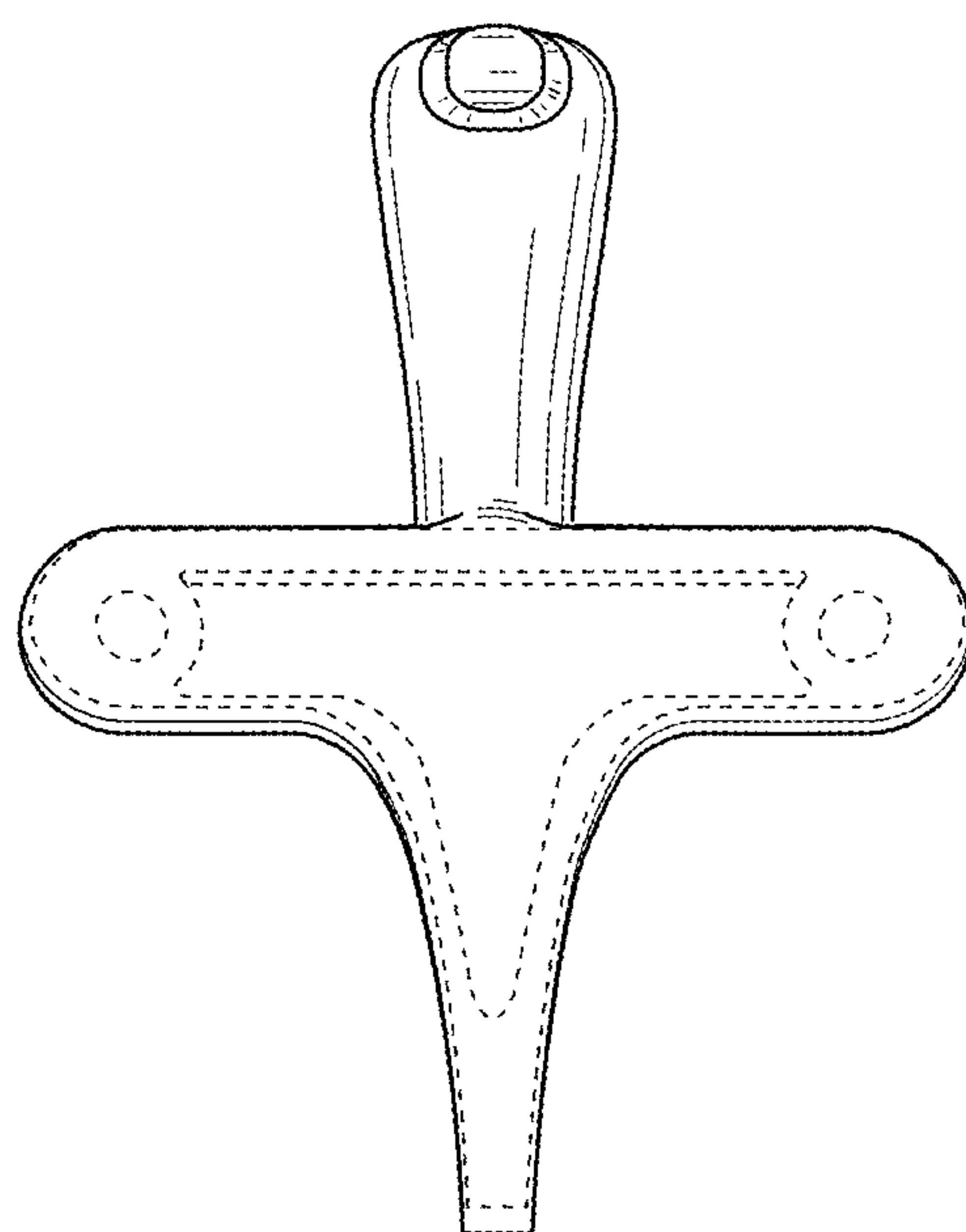


FIG. 10

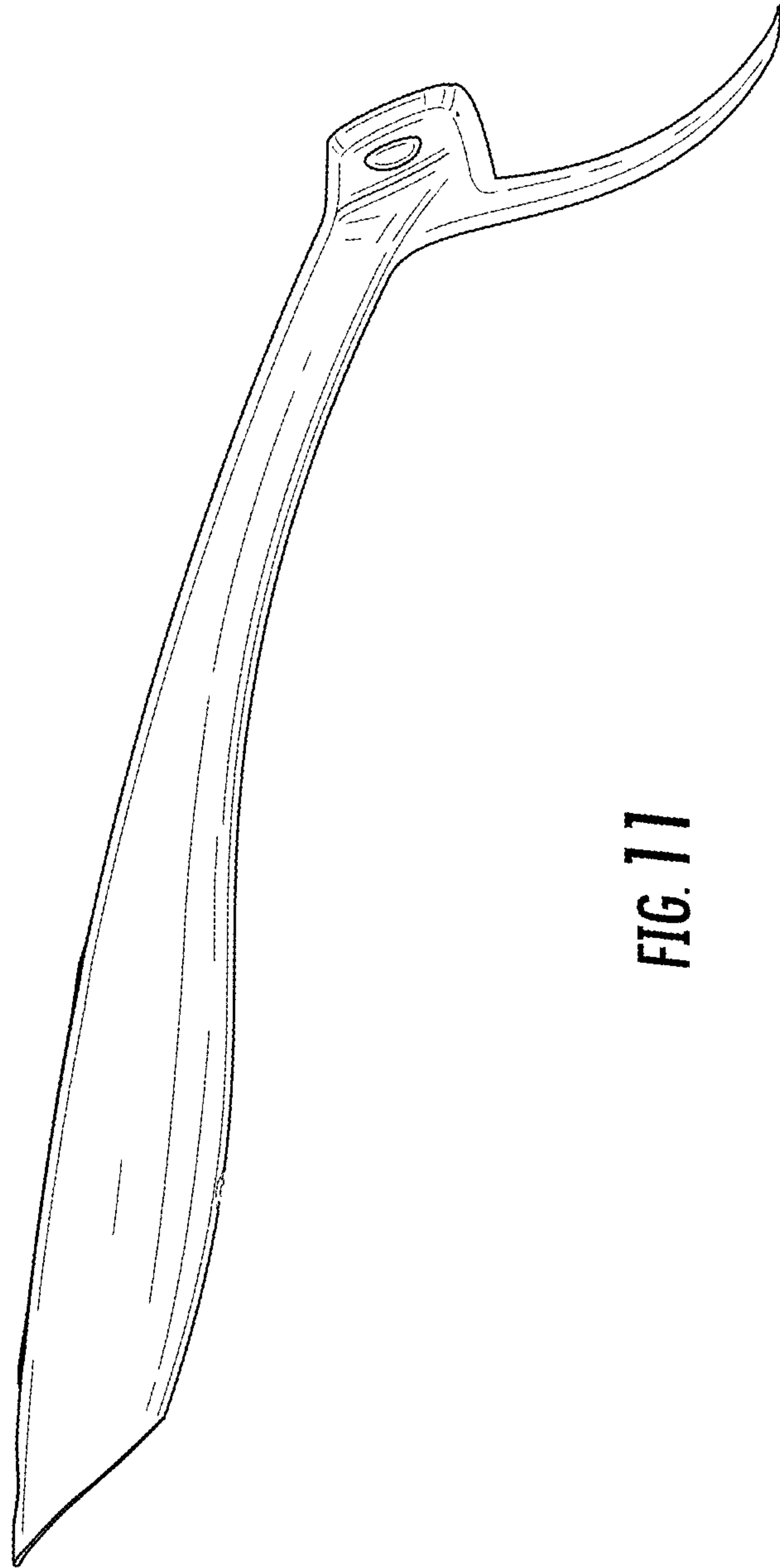


FIG. 17

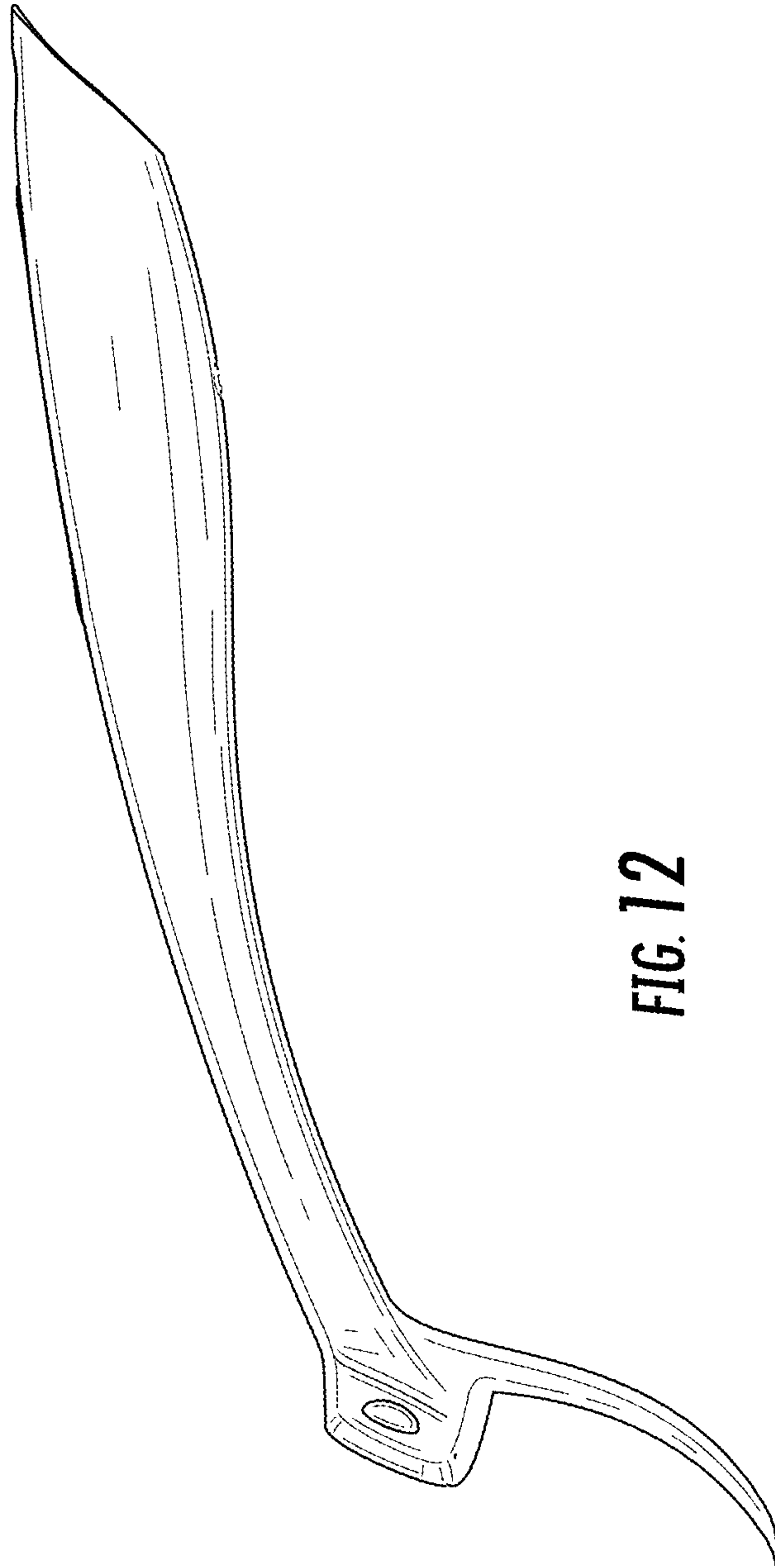


FIG. 12

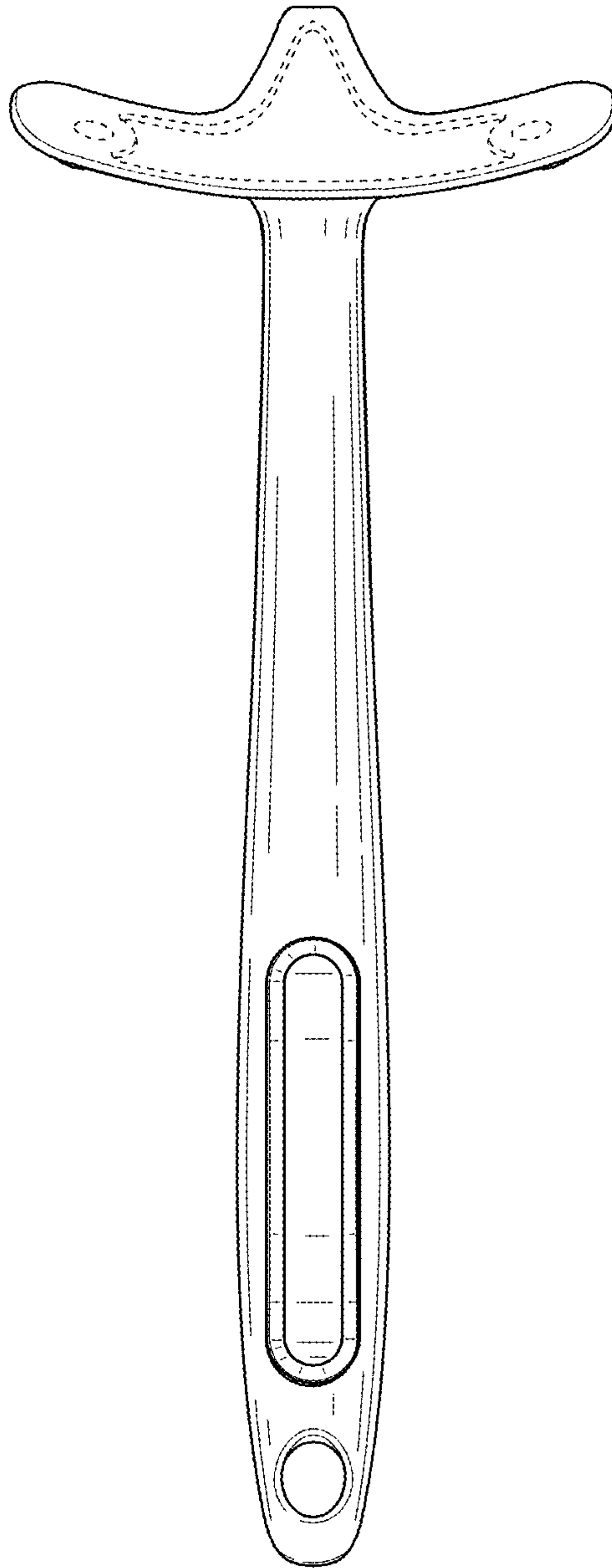


FIG. 13

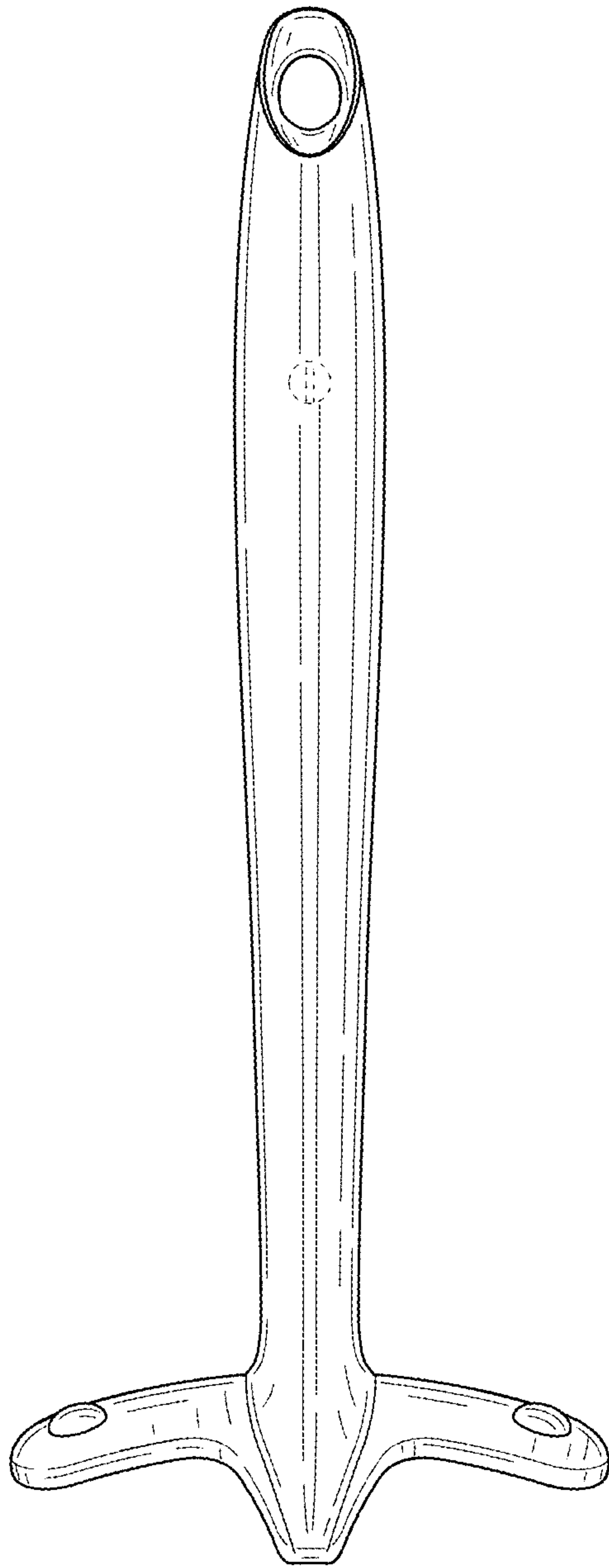


FIG. 14