



US00D831416S

(12) **United States Design Patent** (10) **Patent No.:** **US D831,416 S**
Tosdale et al. (45) **Date of Patent:** **** Oct. 23, 2018**

(54) **COVER**

4,179,039 A 12/1979 Kawolics
4,736,867 A 4/1988 Feimer et al.
D369,942 S 5/1996 Ahern
(Continued)

(71) Applicant: **The Vollrath Company, L.L.C.**,
Sheboygan, WI (US)

(72) Inventors: **David R. Tosdale**, Manitowoc, WI
(US); **Jill E. Hundley**, Manitowoc, WI
(US); **Rebecca J. Schreiber-Pethan**,
Sheboygan, WI (US)

FOREIGN PATENT DOCUMENTS

FR 2804409 8/2011

(73) Assignee: **The Vollrath Company, L.L.C.**,
Sheboygan, WI (US)

OTHER PUBLICATIONS

Contemporary Hinged Inset Covers, [online], [site visited Jan. 31,
2017]. Available from Internet, URL:<http://vollrath.com/Contemporary-Hinged-Inset-Covers-2439.htm>.*

(**) Term: **15 Years**

(Continued)

(21) Appl. No.: **29/592,779**

(22) Filed: **Feb. 2, 2017**

Primary Examiner — Caron D Veynar
Assistant Examiner — Katrina N Gonzalez
(74) *Attorney, Agent, or Firm* — Foley & Lardner LLP

Related U.S. Application Data

(62) Division of application No. 29/592,061, filed on Jan.
26, 2017.

(57) **CLAIM**

The ornamental design for a cover, as shown and described.

(51) **LOC (11) Cl.** **07-99**

DESCRIPTION

(52) **U.S. Cl.**
USPC **D7/393**

(58) **Field of Classification Search**
USPC D7/391, 412, 413, 300, 601, 323, 339,
D7/347, 354, 409, 402, 550.1, 355;
D3/273, 276, 280, 282, 283, 284;
D9/516, 558
CPC .. A47J 36/06; A47J 47/14; B65D 1/22; B65D
1/34; B65D 1/40; B65D 1/165; B65D
15/02; B65D 1/00; B65D 1/26
See application file for complete search history.

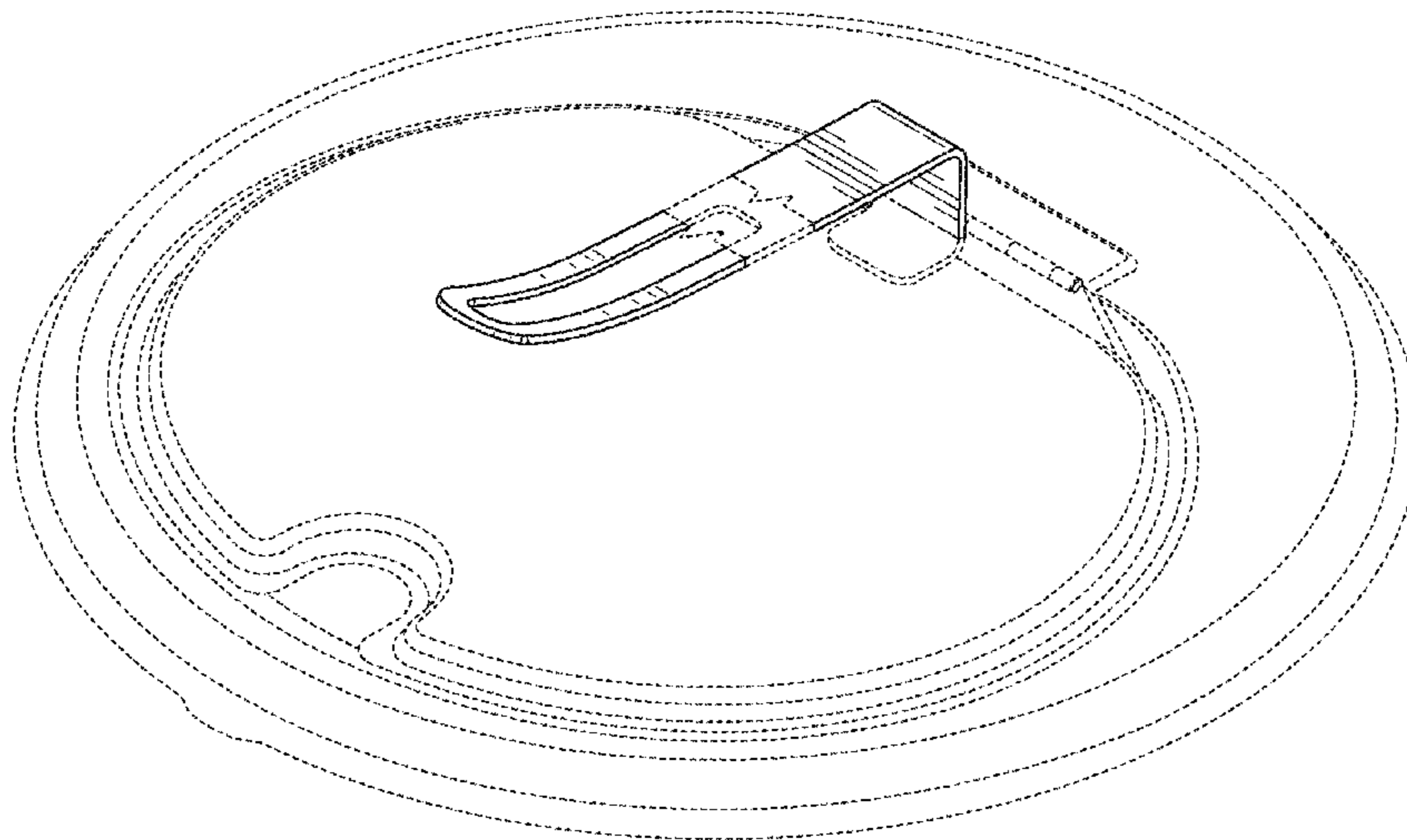
FIG. 1 is a top perspective view of a claimed design;
FIG. 2 is a top perspective view of FIG. 1, shown in a
configuration of use;
FIG. 3 is a front view of FIG. 1;
FIG. 4 is a rear view thereof;
FIG. 5 is a right side view thereof, with the left side view
being a mirror image;
FIG. 6 is a top view thereof; and,
FIG. 7 is a cross-sectional view taken along and in the
direction of line 7-7 in FIG. 6.
The dash-dash broken lines illustrate portions of the cover
that form no part of the claimed design. The dash-dot broken
lines illustrate the boundaries of the claimed design. The
cover is shown with symbolic breaks. The appearance of any
portion of the cover between the break lines form no part of
the claimed design.

(56) **References Cited**

U.S. PATENT DOCUMENTS

1,002,333 A 9/1911 Stollberg
1,431,288 A 10/1922 Corder
3,120,912 A * 2/1964 Mount B65D 25/42
222/567

1 Claim, 6 Drawing Sheets



(56)

References Cited

U.S. PATENT DOCUMENTS

D398,811 S * 9/1998 Montgelard D7/391
 D433,272 S 11/2000 Park
 D437,181 S 2/2001 Park
 D438,422 S 3/2001 Choi
 6,273,288 B1 8/2001 Jarvis
 D495,922 S * 9/2004 Settele D7/391
 D510,522 S * 10/2005 Laveault D9/434
 D522,362 S 6/2006 Liebe
 D539,604 S * 4/2007 Chan D7/391
 D551,446 S * 9/2007 Elnekaveh D3/249
 D582,205 S * 12/2008 Gerlach D7/391
 D598,746 S * 8/2009 Caldwell D9/435
 D614,909 S 5/2010 Lavy
 D619,892 S * 7/2010 Welk A47J 36/12
 D7/391
 D645,298 S 9/2011 Saboe et al.
 D650,628 S * 12/2011 Pallotto D7/354
 D684,816 S * 6/2013 Chen D7/392.1
 D701,700 S 4/2014 Abdi et al.
 D719,143 S * 12/2014 Vidovic D14/250
 D722,814 S 2/2015 Heiberg et al.
 D741,066 S 10/2015 Abdi et al.

D746,631 S * 1/2016 Tseng D7/392.1
 D749,896 S * 2/2016 Pallotto D7/354
 D772,002 S 11/2016 Affatato et al.
 D784,811 S 4/2017 Scevola
 D794,456 S 8/2017 Rockwell
 2004/0195238 A1 10/2004 Brija
 2014/0021214 A1 1/2014 Jack

OTHER PUBLICATIONS

The Vollrath Company Twitter, [online], [site visited Jan. 31, 2017]. Available from Internet, URL:<https://twitter.com/vollrathco>.*

Vollrath 8261710 Miramar, [online], [site visited Jan. 31, 2017]. Available from Internet, URL:<https://www.webstaurantstore.com/vollrath-8261710-miramar-hinged-cover-with-chrome-knob-for-10-qt-8231220-stainless-steel-soup-inset/9228261710%20%20CHRM.html>.*

Vollrath 72222, [online], [site visited Jan. 31, 2017]. Available from Internet, URL:<http://www.zesco.com/Vollrath-72222-Flip-Top-Hinge-Cover-Only-Fits-Covers-for-Vegetable-Insets-pz470D011.htm>.*

Amazon clip, [online], [site visited Feb. 2, 2018]. Available from Internet, URL:https://www.amazon.com/dp/B007CBSM4/ref=psdc_2407765011_t1_B0035R3N1I.*

* cited by examiner

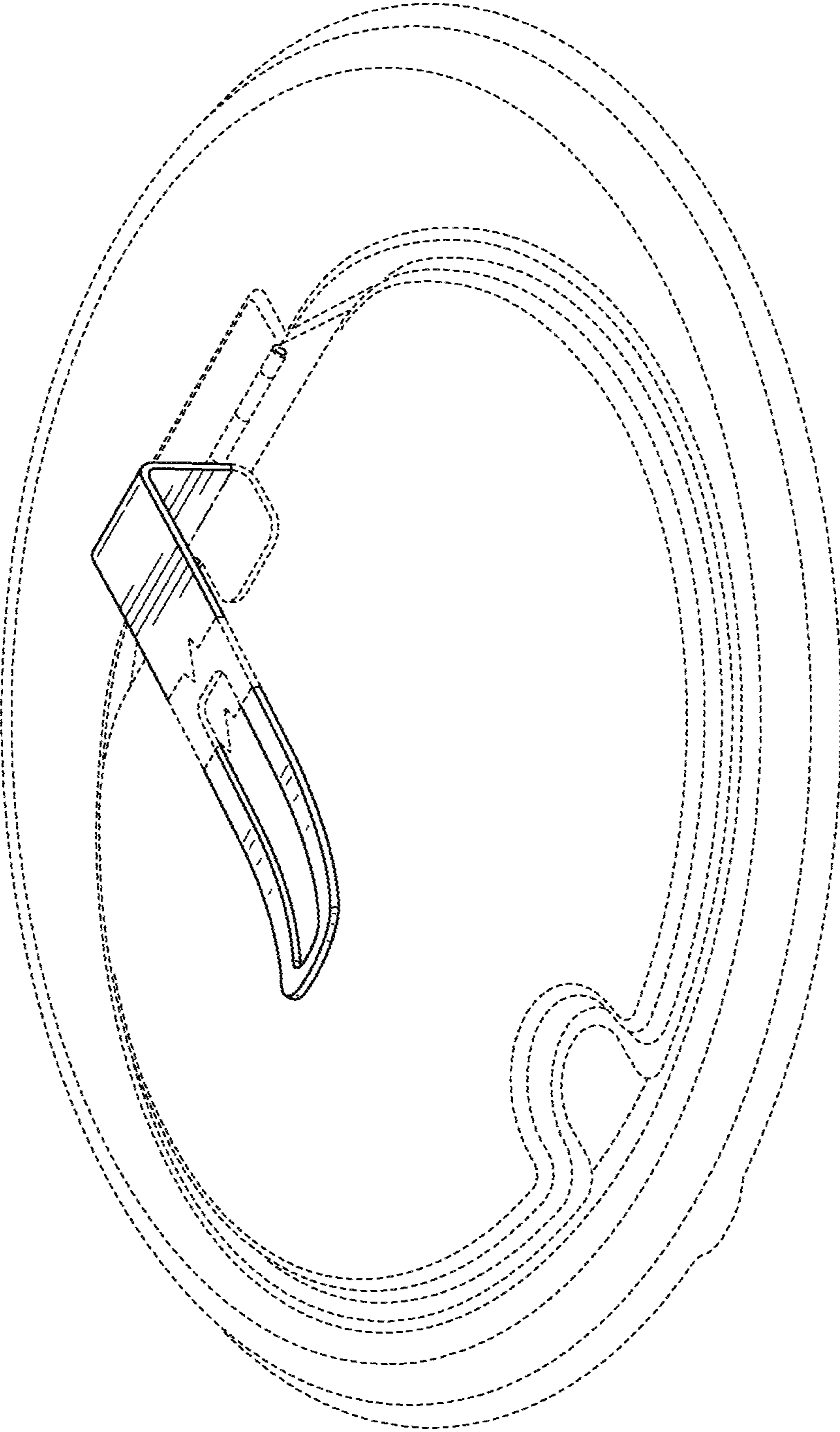


FIG. 1

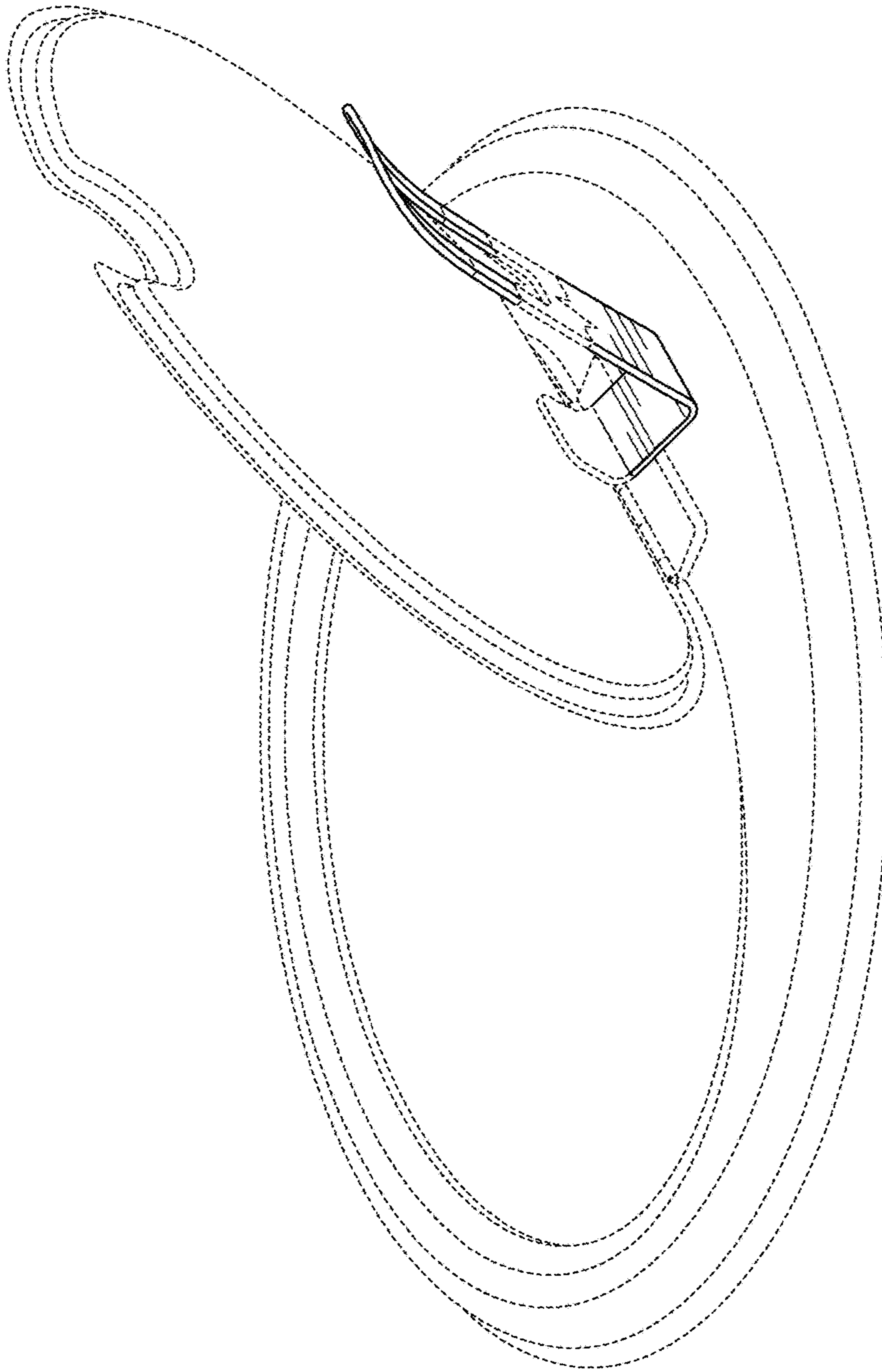


FIG. 2

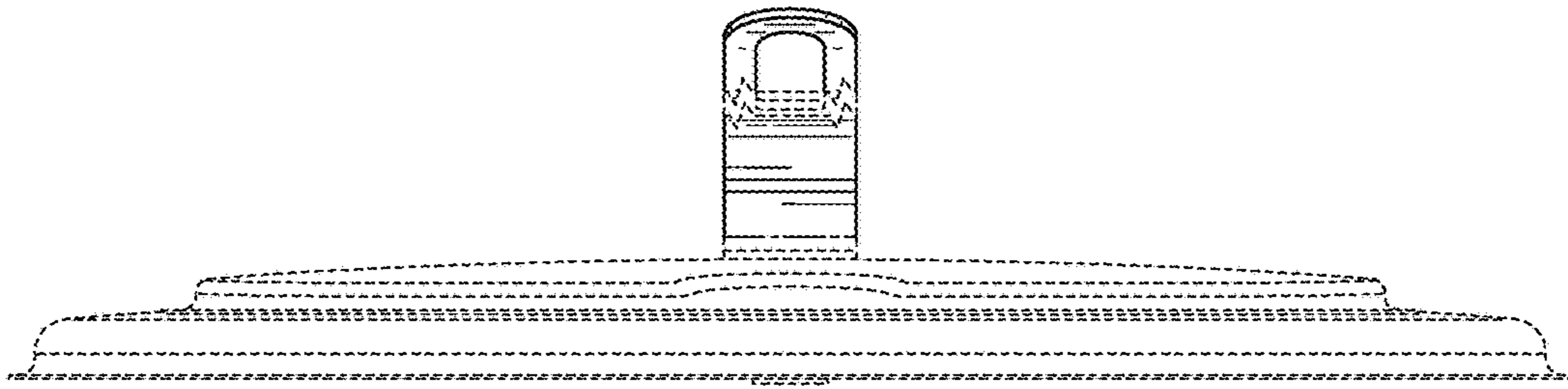


FIG. 3

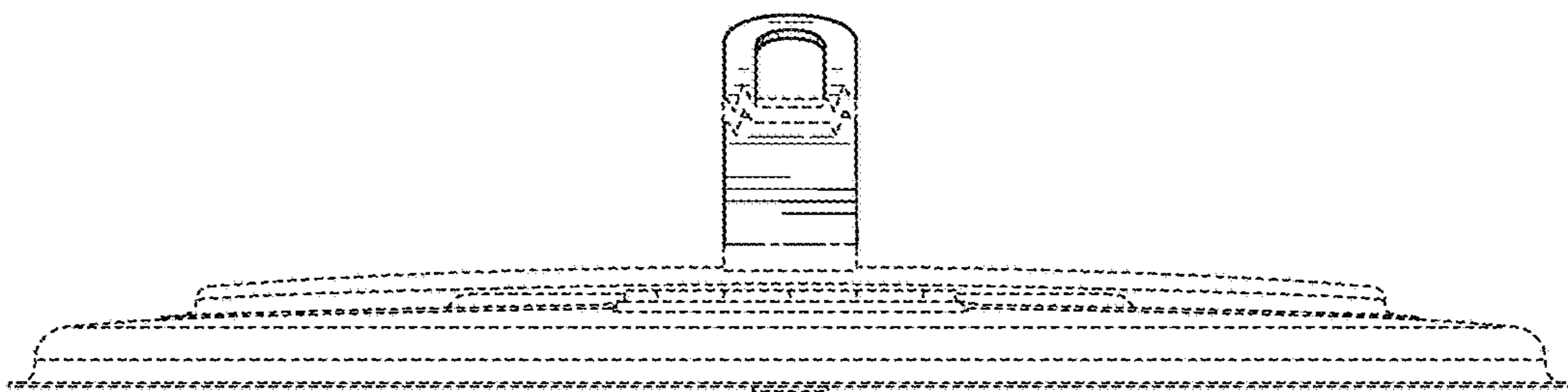


FIG. 4

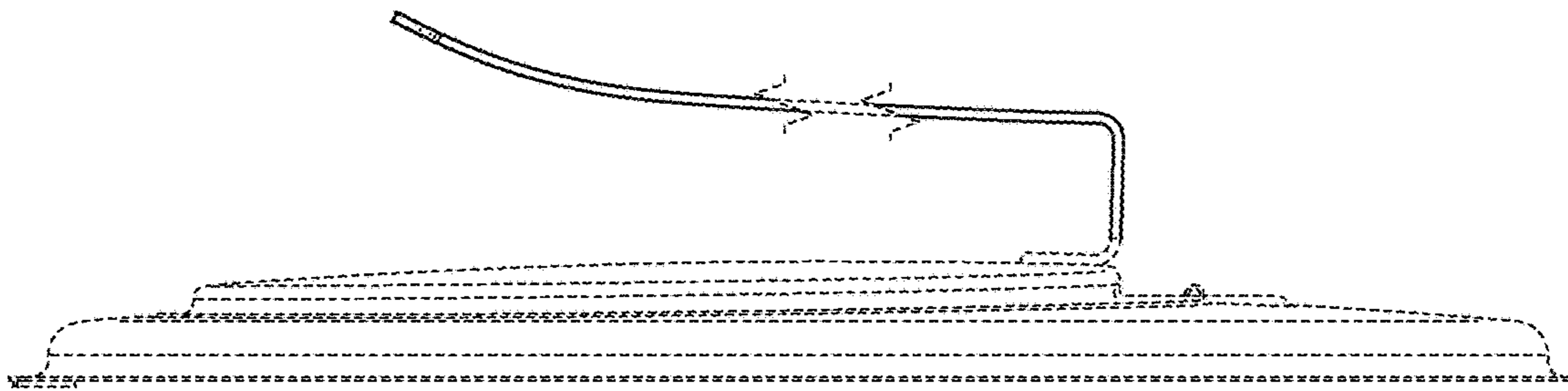


FIG. 5

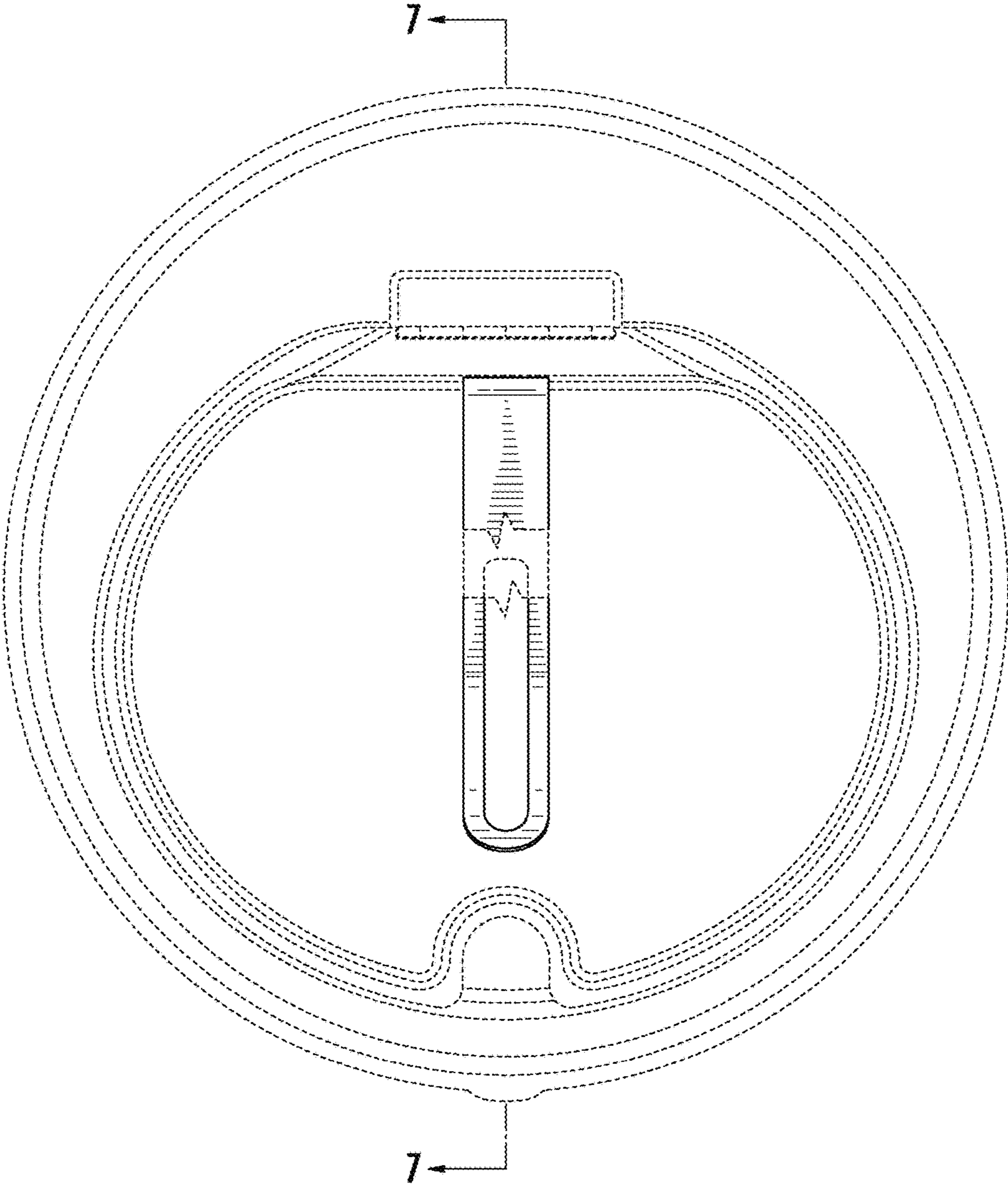


FIG. 6

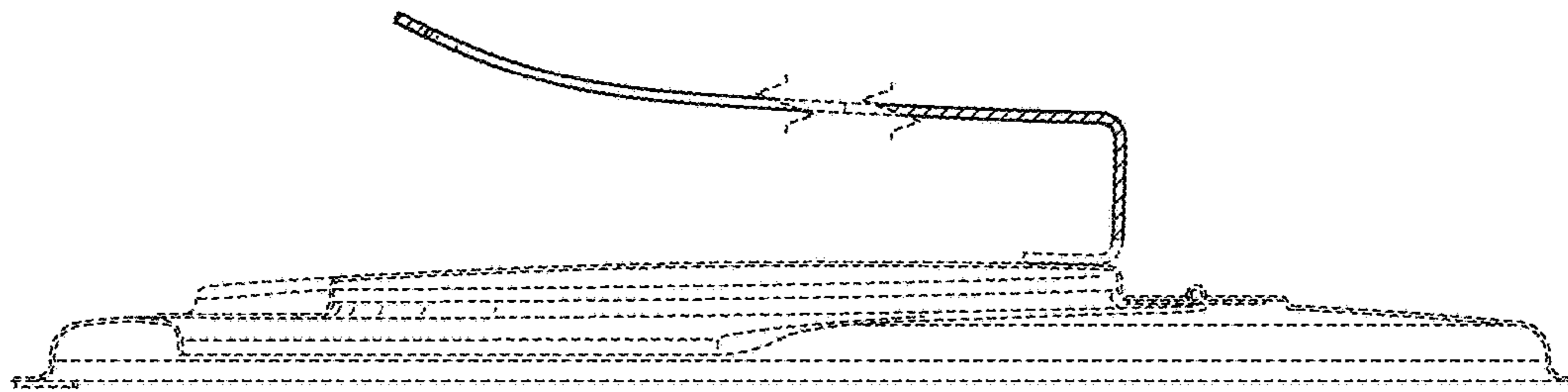


FIG. 7