



US00D831415S

(12) **United States Design Patent** (10) **Patent No.:** **US D831,415 S**
Hansen et al. (45) **Date of Patent:** **** Oct. 23, 2018**

(54) **COVER FOR GLASSWARE** D731,239 S * 6/2015 Rothfield D7/392.1
D736,560 S * 8/2015 Dexter D7/392.1
(71) Applicants: **Susan M Hansen**, Marana, AZ (US); D746,631 S * 1/2016 Tseng D7/392.1
Jeanne M Wittry, Marana, AZ (US) D754,470 S * 4/2016 Rothfield D7/392.1
D767,329 S * 9/2016 Mock D7/392.1
(72) Inventors: **Susan M Hansen**, Marana, AZ (US); D810,501 S * 2/2018 Kastner D7/392.1
Jeanne M Wittry, Marana, AZ (US) D811,811 S * 3/2018 Wachter D7/392.1
2012/0091142 A1 * 4/2012 Jamison A47G 19/2211
220/371
(**) Term: **15 Years** 2014/0374428 A1 * 12/2014 Watson B65D 7/40
220/780

(21) Appl. No.: **29/612,116**

(22) Filed: **Jul. 28, 2017**

(51) **LOC (11) Cl.** **07-99**

(52) **U.S. Cl.**
USPC **D7/392.1**

(58) **Field of Classification Search**
USPC D7/392.1, 396.2, 510, 509, 511, 624.1;
D9/435, 439, 440, 445, 447, 449, 450,
D9/454, 500, 503, 504, 505; D14/215,
D14/216, 219; D23/209, 261, 213, 249
CPC A47G 19/22-19/23; E03C 1/084; Y10S
261/22

See application file for complete search history.

(56) **References Cited**

U.S. PATENT DOCUMENTS

D168,261 S * 11/1952 Gruen D7/392.1
D219,531 S * 12/1970 Solomon D7/391
D266,389 S * 10/1982 Jensen D7/392.1
D315,474 S * 3/1991 Turner D7/391
D528,358 S * 9/2006 Snell D7/392.1
D550,030 S * 9/2007 Peterson D7/392.1
D615,860 S * 5/2010 Cero, Jr. D9/443
D642,425 S * 8/2011 Hale D7/392.1
D682,099 S * 5/2013 Blythe D9/439
D689,735 S * 9/2013 Redfern D7/392.1
D717,104 S * 11/2014 Redfern D7/392.1
D717,589 S * 11/2014 Harshnnan D7/392.1

* cited by examiner

Primary Examiner — Karen S Acker

Assistant Examiner — Steven B Reinholdt, Jr.

(74) *Attorney, Agent, or Firm* — Gutwein Law; Greg N. Geiser

(57) **CLAIM**

The ornamental design for a cover for glassware, as shown and described.

DESCRIPTION

FIG. 1 is an isometric view of a cover for glassware showing my new design;

FIG. 2 is an isometric view in use thereof;

FIG. 3 is a left side view, the right side view being a mirror image thereof;

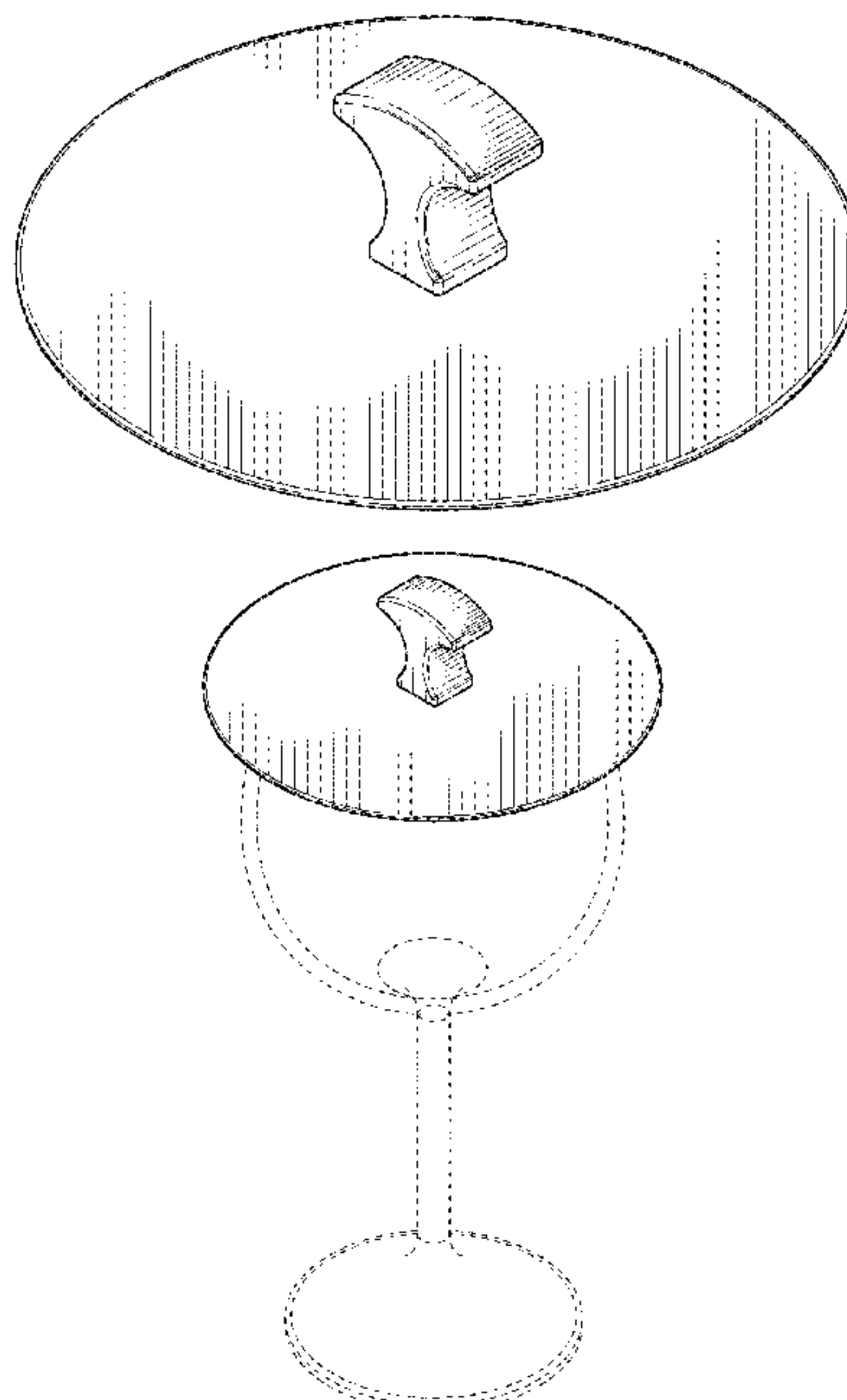
FIG. 4 is a front view, the rear view being a mirror image thereof;

FIG. 5 is a top view thereof; and,

FIG. 6 is a bottom view thereof.

The broken lines in FIG. 2 depict environmental structure that forms no part of the claimed design. The broken lines and areas within them in FIG. 6 depict portions of the cover for glasswear that form no part of the claimed design.

1 Claim, 3 Drawing Sheets



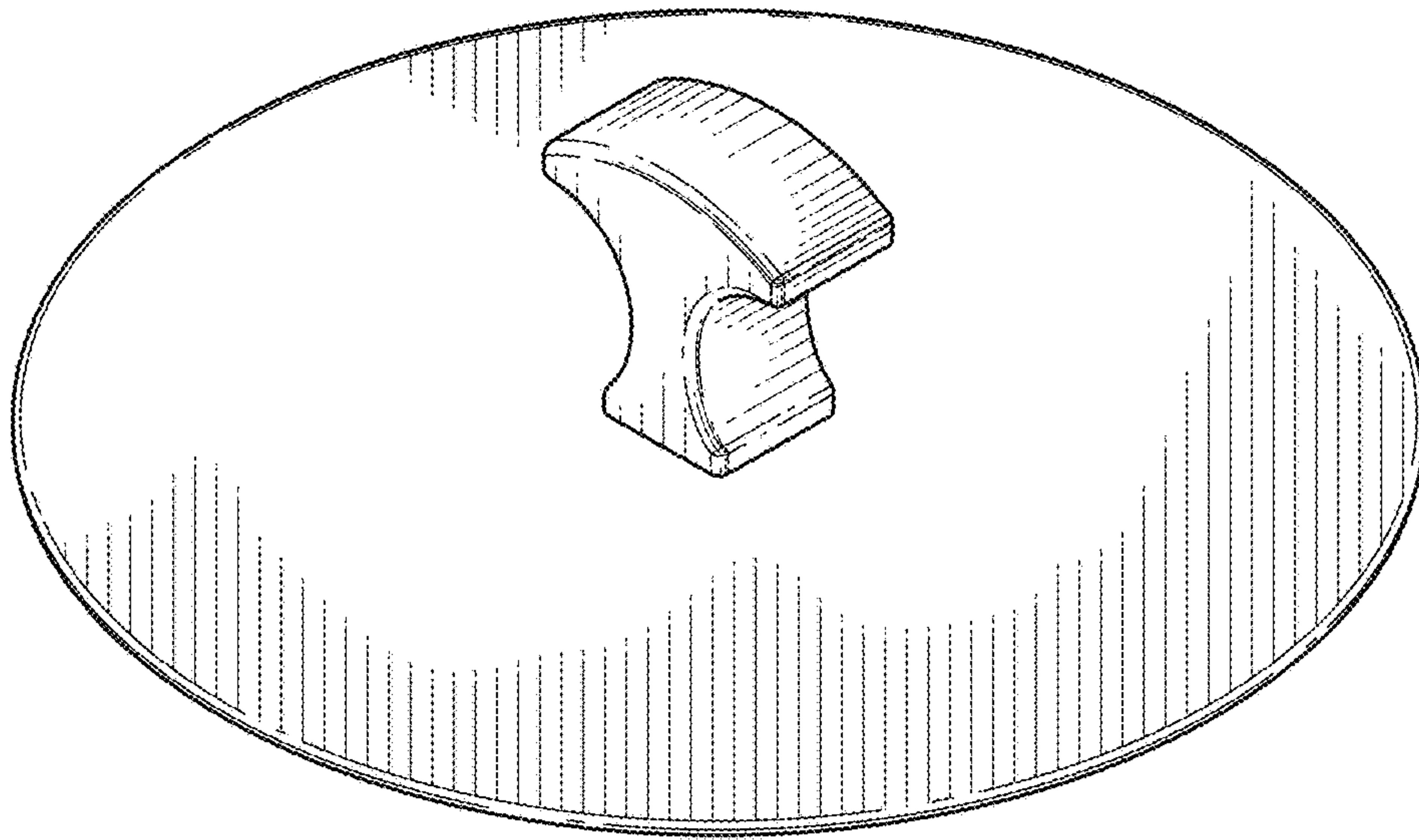


FIG. 1

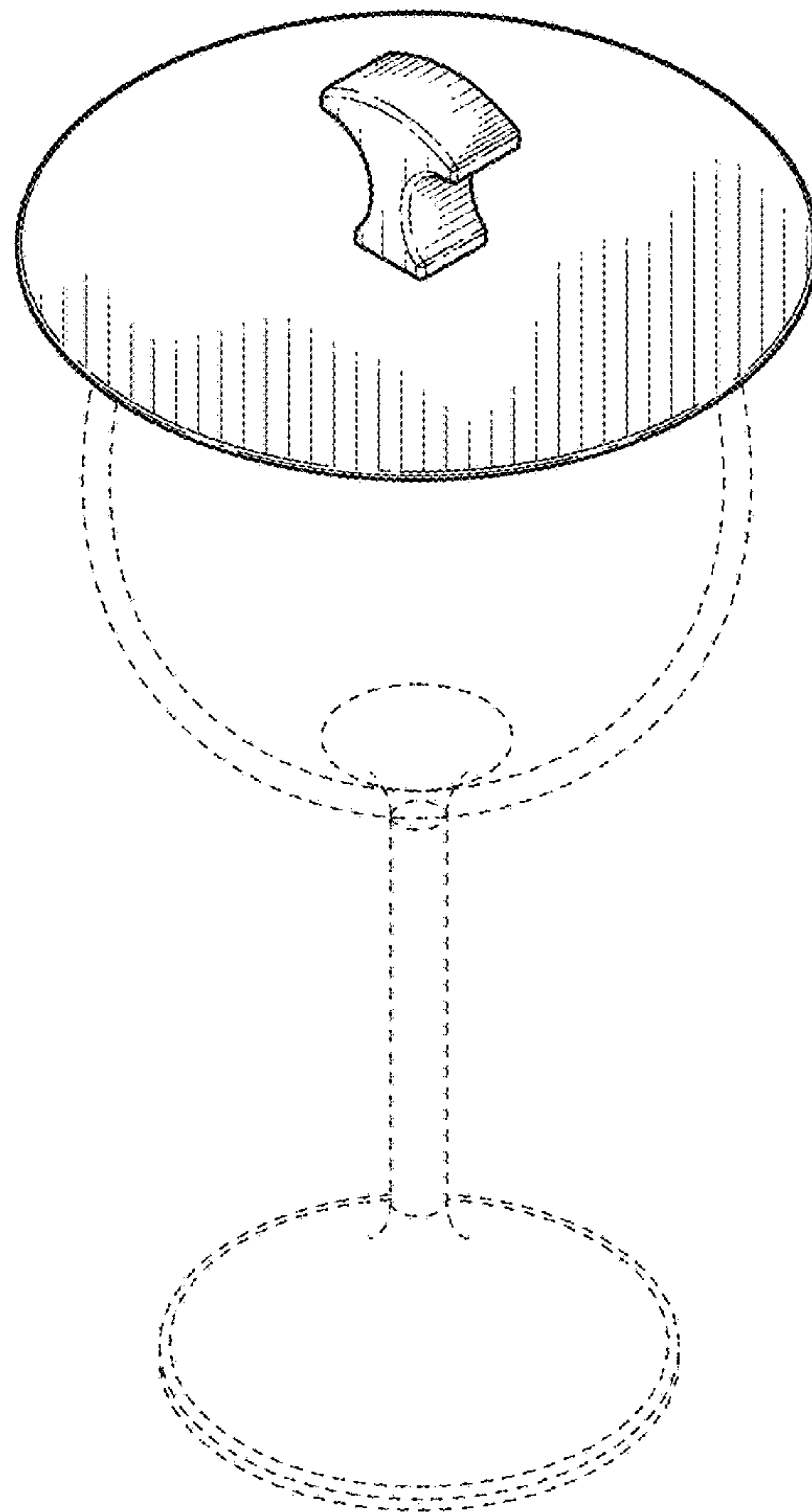
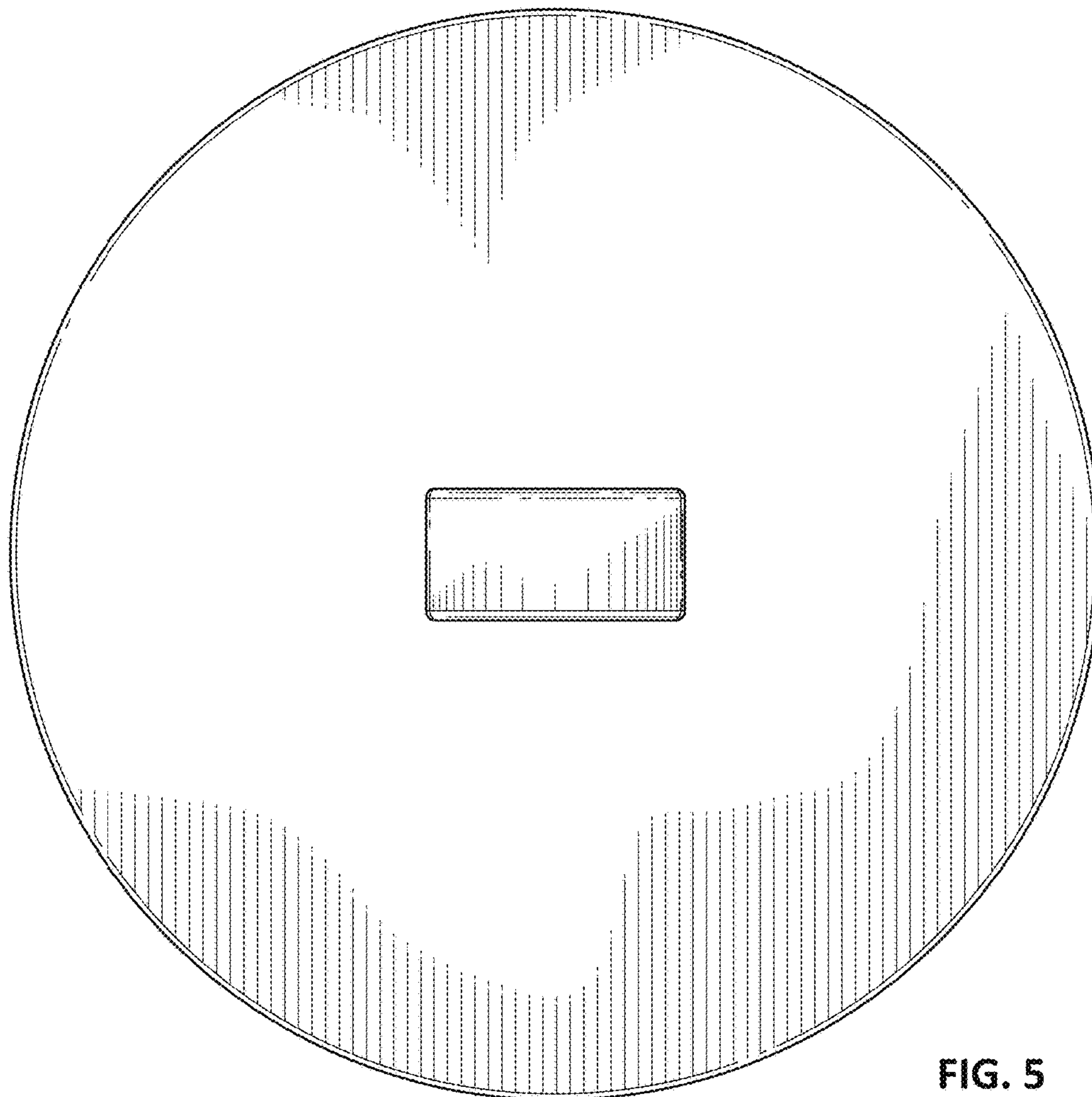
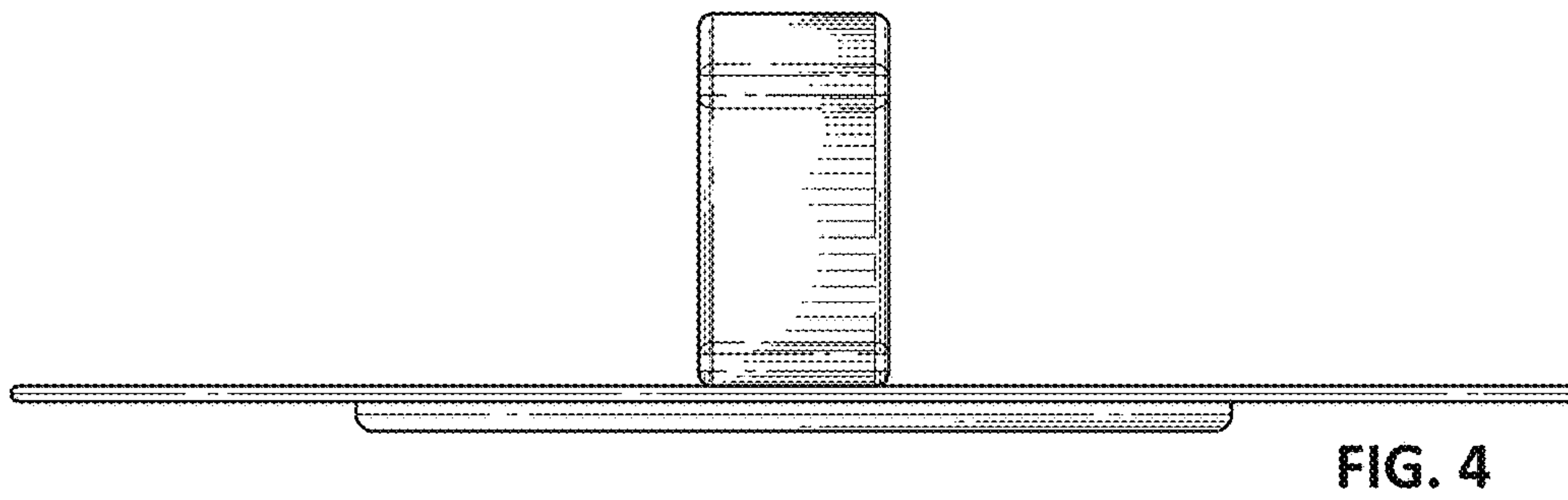
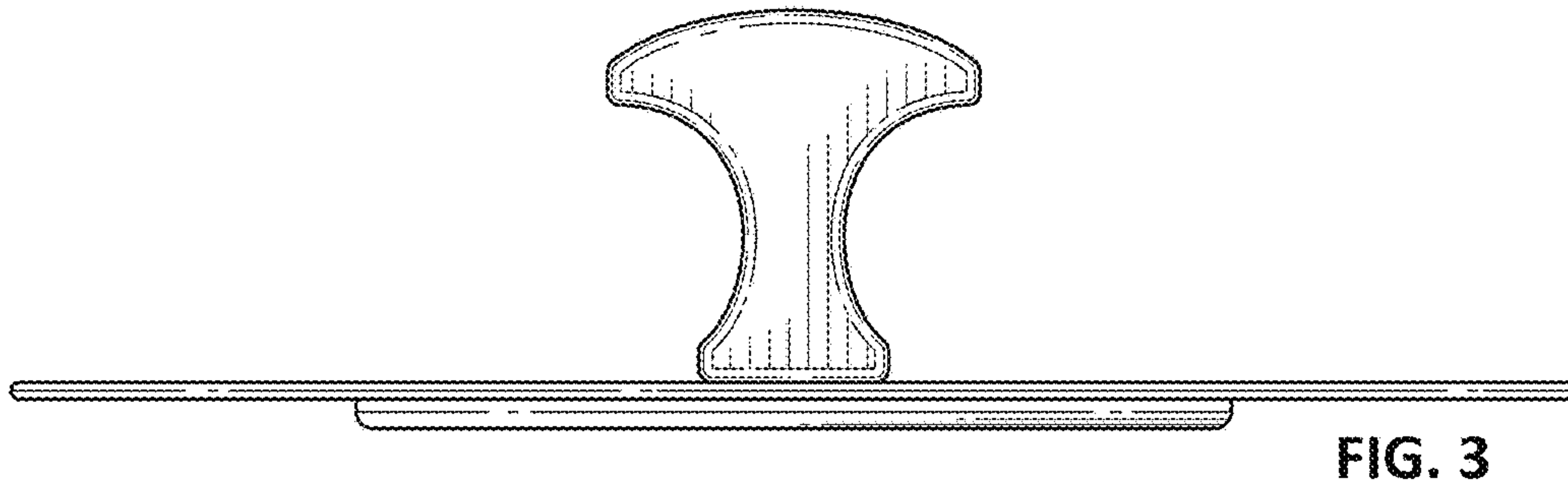


FIG. 2



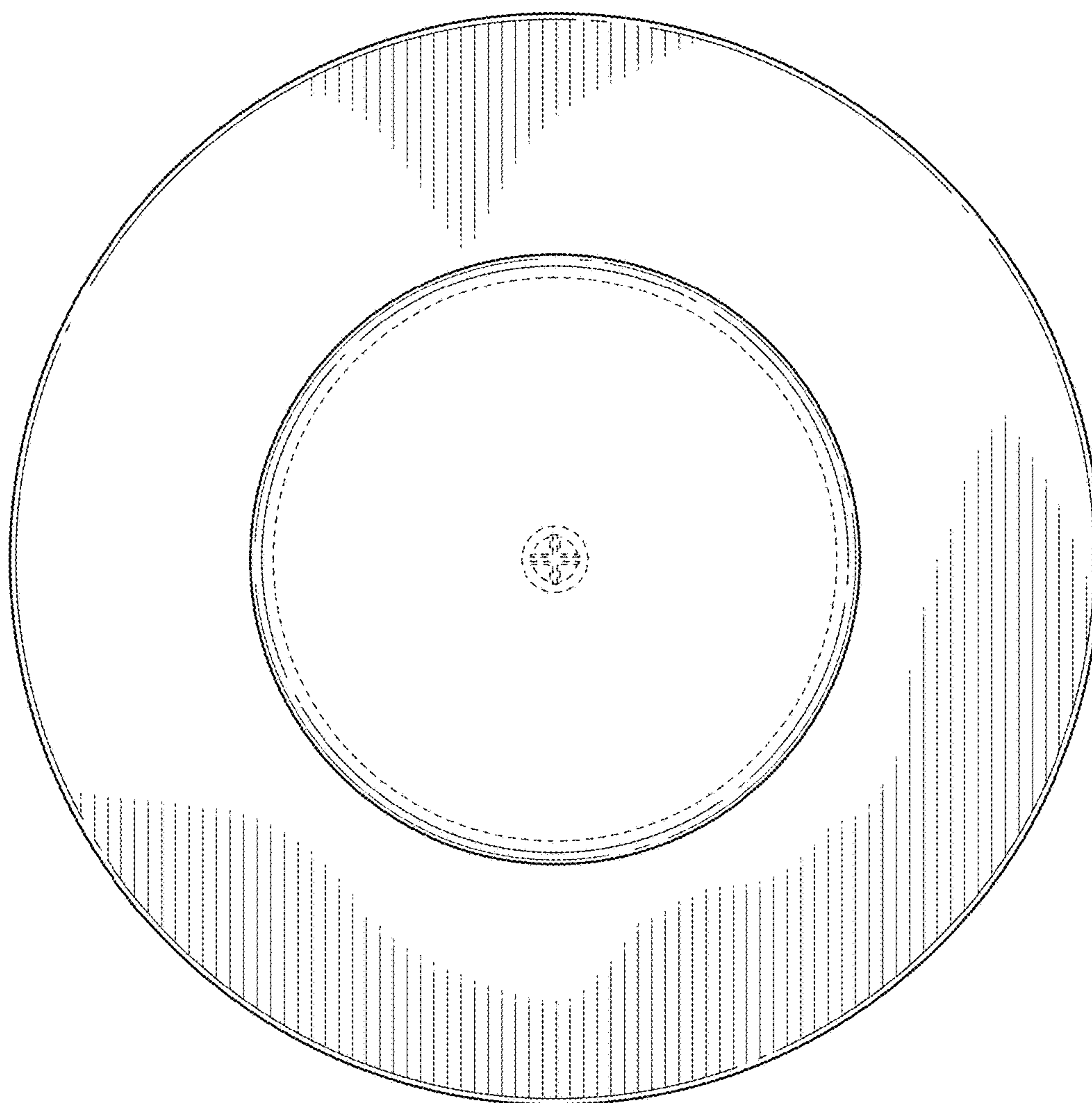


FIG. 6