



US00D831414S

(12) **United States Design Patent**
Diener et al.

(10) **Patent No.:** **US D831,414 S**

(45) **Date of Patent:** **** Oct. 23, 2018**

(54) **CAP FOR A BOTTLE**

(71) Applicant: **Helen of Troy Limited**, St. Michael (BB)

(72) Inventors: **Ryan James Diener**, Bend, OR (US); **Justin Taylor**, Bend, OR (US); **Shelley Palazzolo**, Bend, OR (US); **Benjamin Robert Hein**, Bend, OR (US)

(73) Assignee: **Helen of Troy Limited** (BB)

(**) Term: **15 Years**

(21) Appl. No.: **29/594,810**

(22) Filed: **Feb. 22, 2017**

(51) **LOC (11) Cl.** **07-99**

(52) **U.S. Cl.**
USPC **D7/392**; D7/392.1

(58) **Field of Classification Search**
USPC D9/452, 453, 454, 435, 447, 449, 780, D9/434, 424, 430, 443; D7/391, 392, D7/392.1, 510, 511, 538, 540, 542, 543, D7/544, 545, 629, 354, 360, 396.1, 602, D7/705

CPC ... A47G 19/2205; A47G 19/2222; A45F 3/16; A45F 3/20; B67D 7/06; B67D 1/0004; B65D 25/14; B65D 47/065; B65D 47/066; B65D 2543/00101; B65D 2543/00027

See application file for complete search history.

(56) **References Cited**

U.S. PATENT DOCUMENTS

D596,458 S *	7/2009	McKinney	D7/510
D609,969 S *	2/2010	McKinney	D7/510
D634,160 S *	3/2011	Cetera	D7/510
D763,076 S *	8/2016	Lane	D9/446
D763,688 S *	8/2016	Breit	D9/443
D792,216 S *	7/2017	Breit	D9/443
D802,419 S *	11/2017	Seiders	D9/447

D816,397 S *	5/2018	Karl, IV	D7/392.1
D817,084 S *	5/2018	Hammer	D7/392.1
2009/0236341 A1 *	9/2009	McKinney	A47G 19/2266 220/375

OTHER PUBLICATIONS

Eastern Surf website, Hydro Flask Launches New Oasis Products Designed for Sharing, Publication date Jul. 24, 2017, [site visited May 8, 2018], Available on the Internet URL <http://www.easternsurf.com/industry/media-buzz/hydro-flask-oasis/>.*

Yeti, Rambler One Gallon Jug, Product was commercially available and could be located at <https://www.yeti.com/drinkware/rambler-one-gallon-jug/YRAMONEJUG.html> prior to the filing date of the instant application.

* cited by examiner

Primary Examiner — Karen S Acker

Assistant Examiner — Steven B Reinholdt, Jr.

(74) *Attorney, Agent, or Firm* — Kolisch Hartwell, P.C.

(57) **CLAIM**

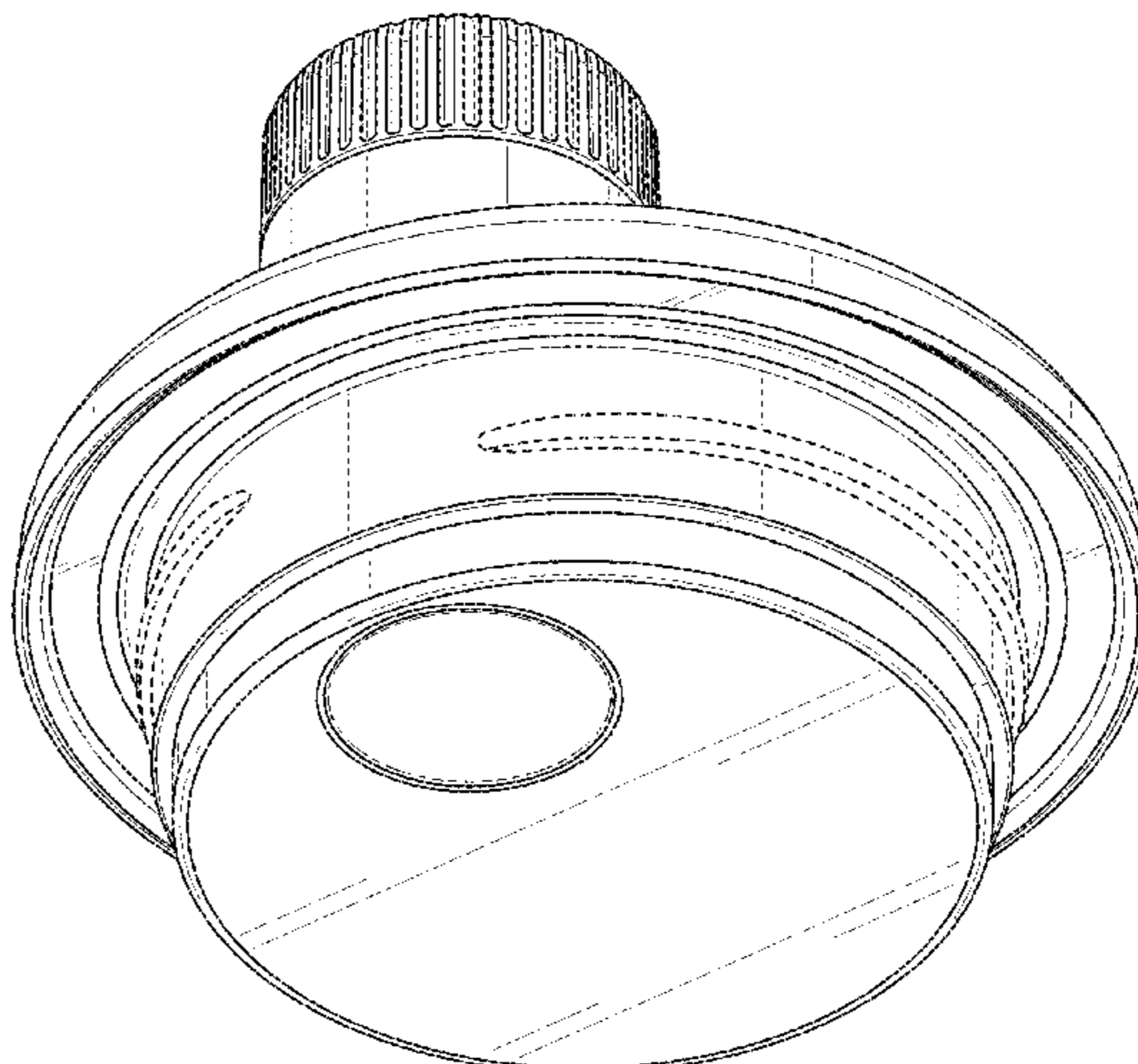
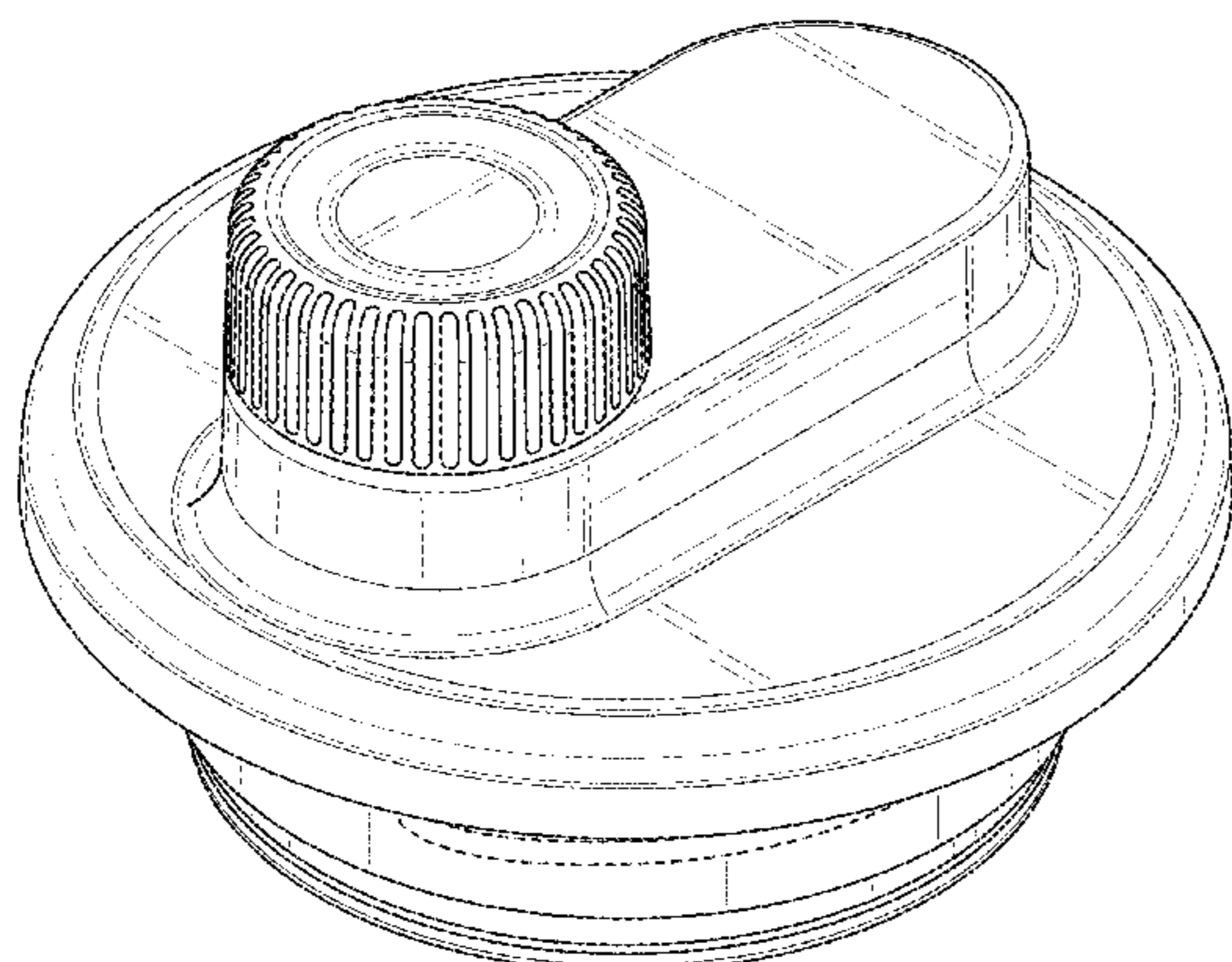
The ornamental design for a cap for a bottle, as shown and described.

DESCRIPTION

FIG. 1 is an upper perspective view of a cap for a bottle showing the new design;
FIG. 2 is a front elevation view thereof;
FIG. 3 is a rear elevation view thereof;
FIG. 4 is a right side elevation view thereof;
FIG. 5 is a left side elevation view thereof;
FIG. 6 is a top plan view thereof;
FIG. 7 is a bottom plan view thereof; and,
FIG. 8 is a lower perspective view thereof.

The broken lines depict portions of the cap for a bottle that form no part of the claimed design. The dot-dash-dot lines in FIGS. 7 and 8 depict the boundaries of the claim and form no part thereof.

1 Claim, 8 Drawing Sheets



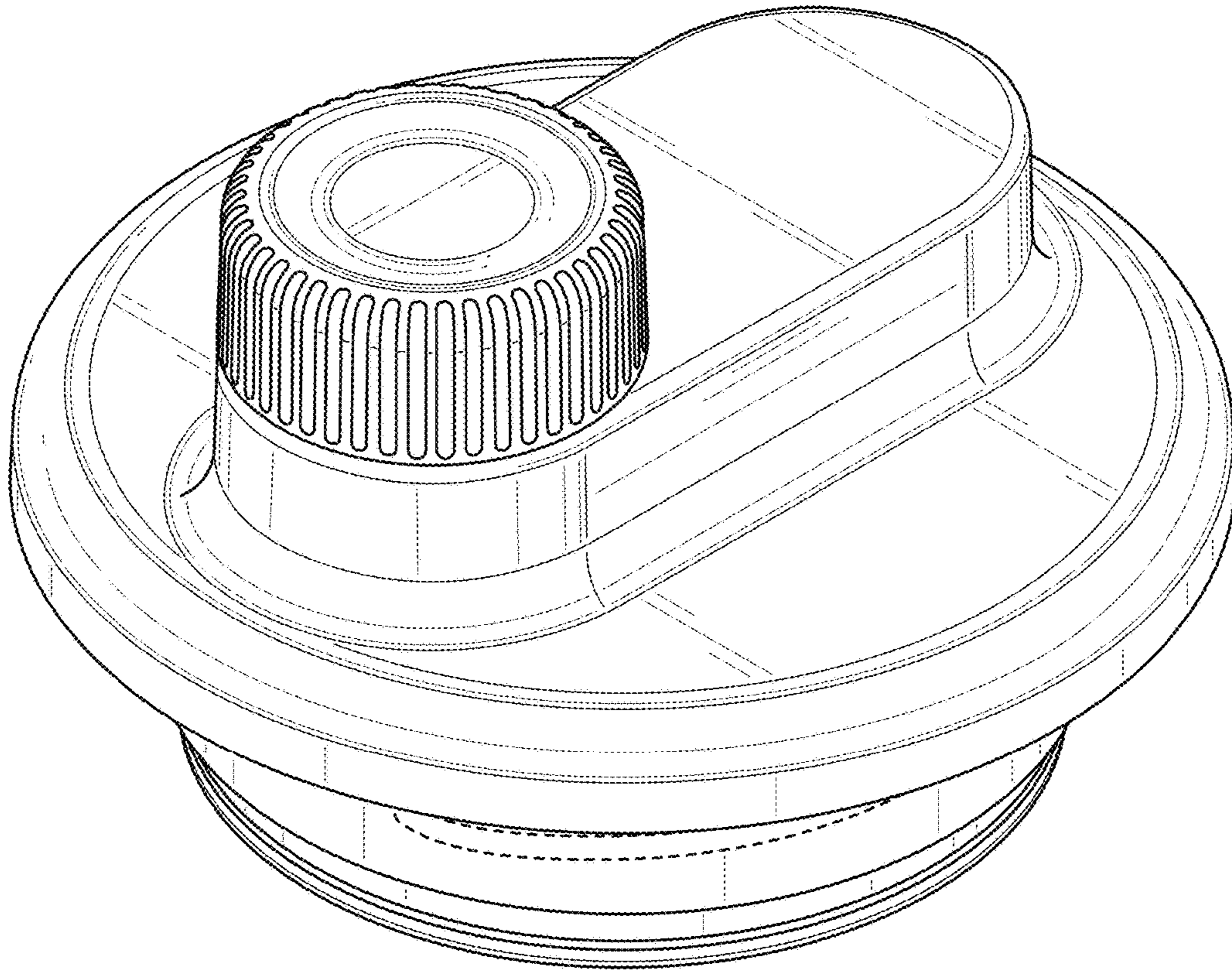


FIG. 1

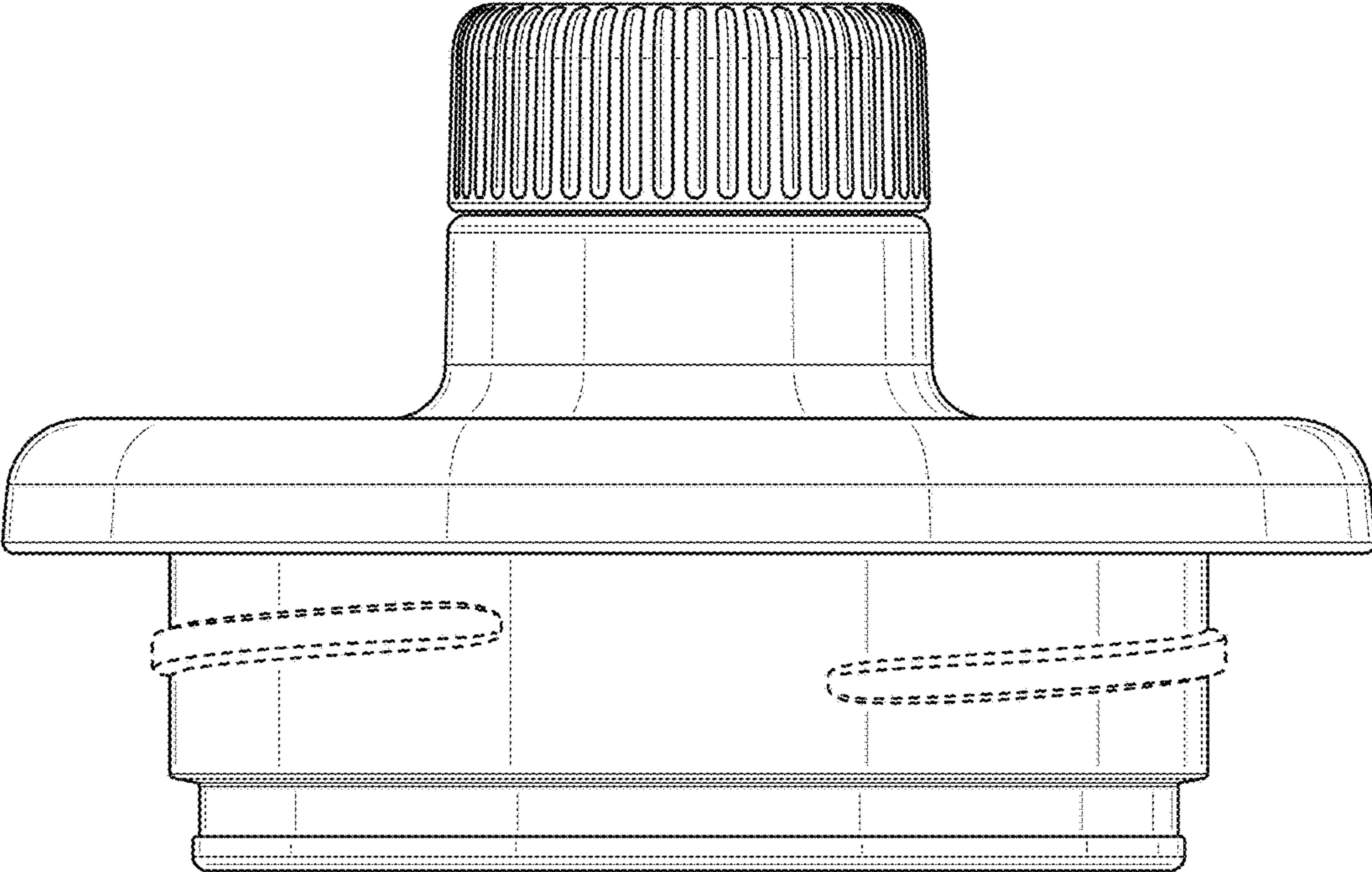


FIG. 2

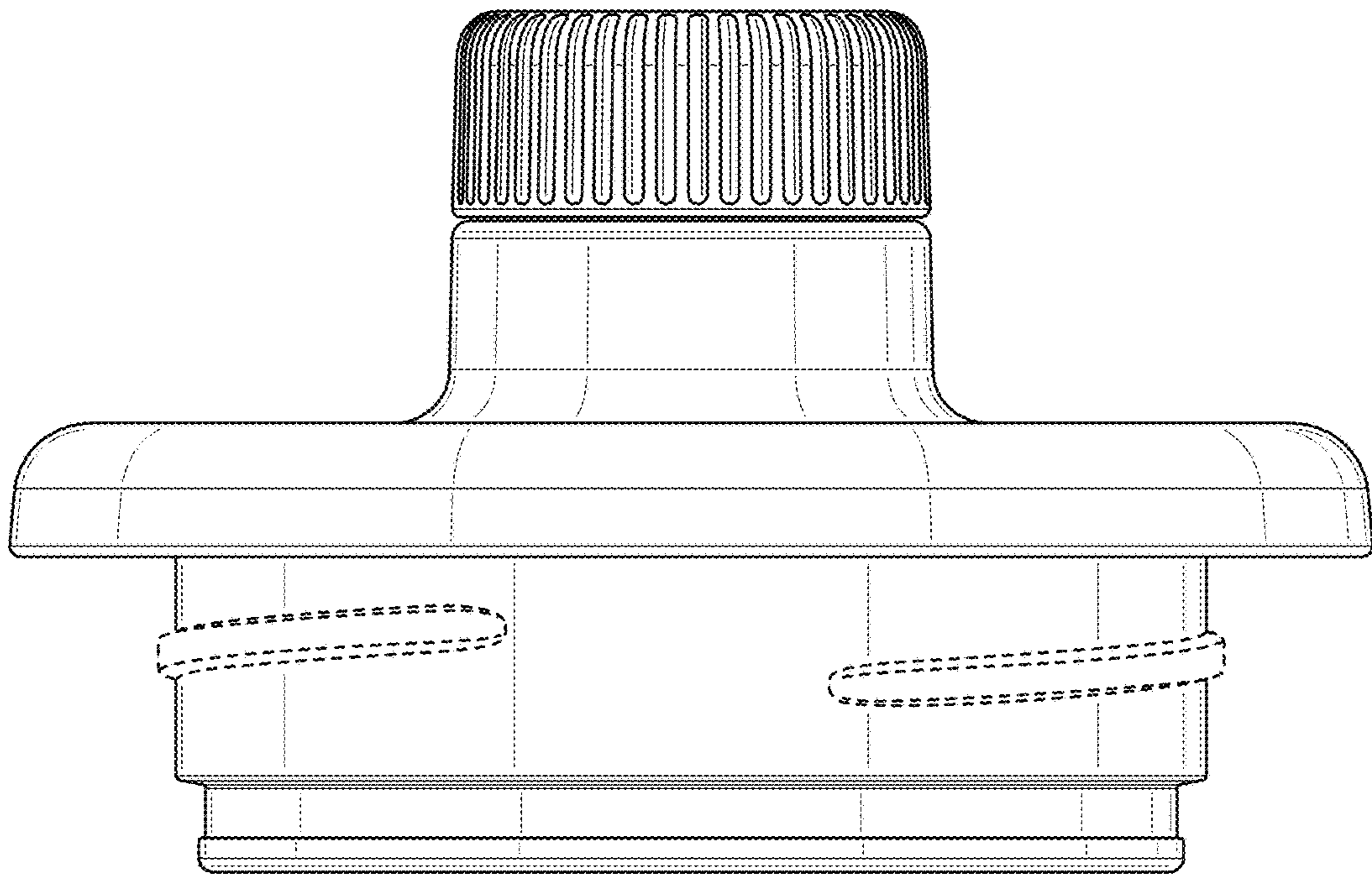


FIG. 3

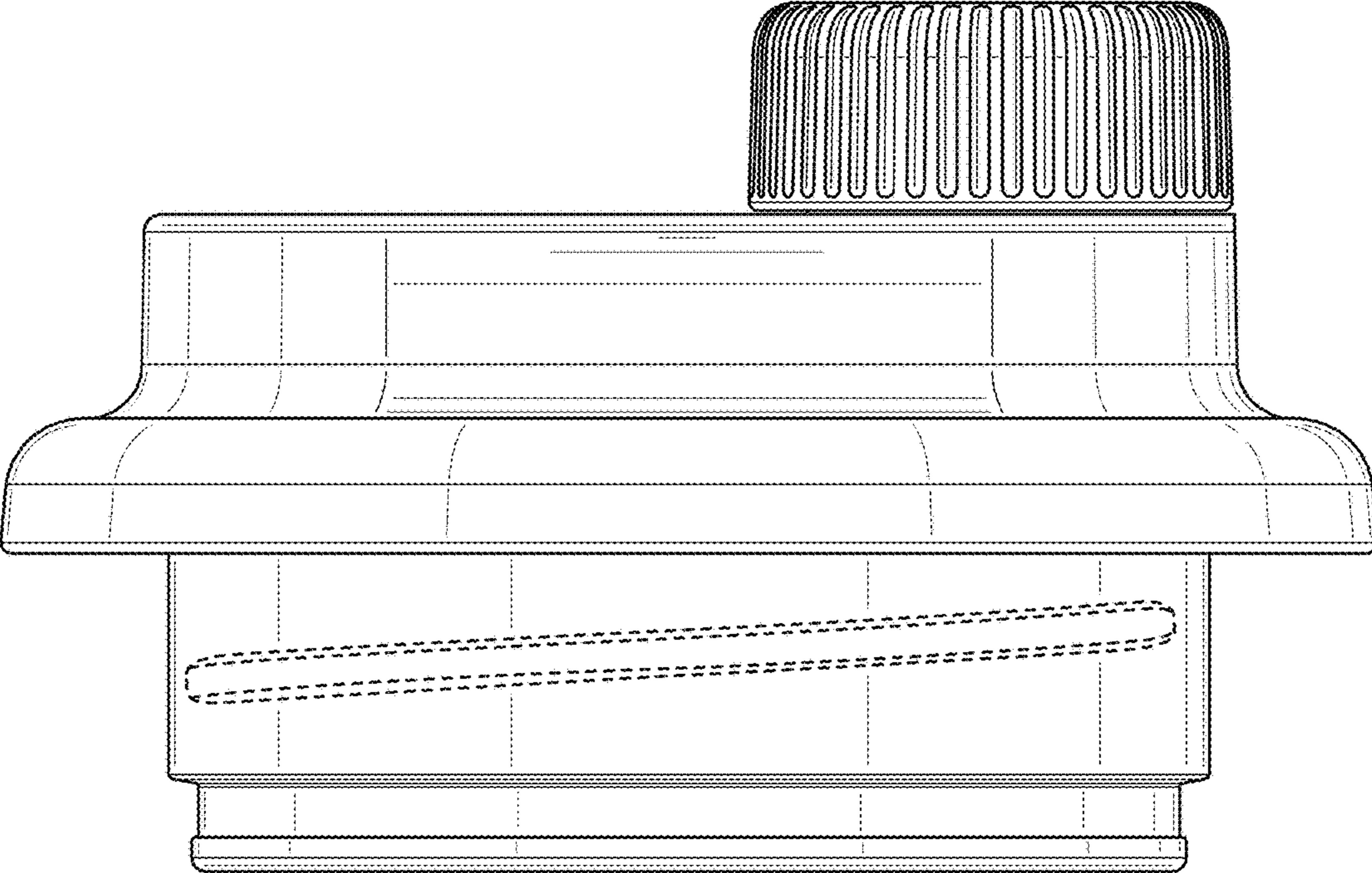


FIG. 4

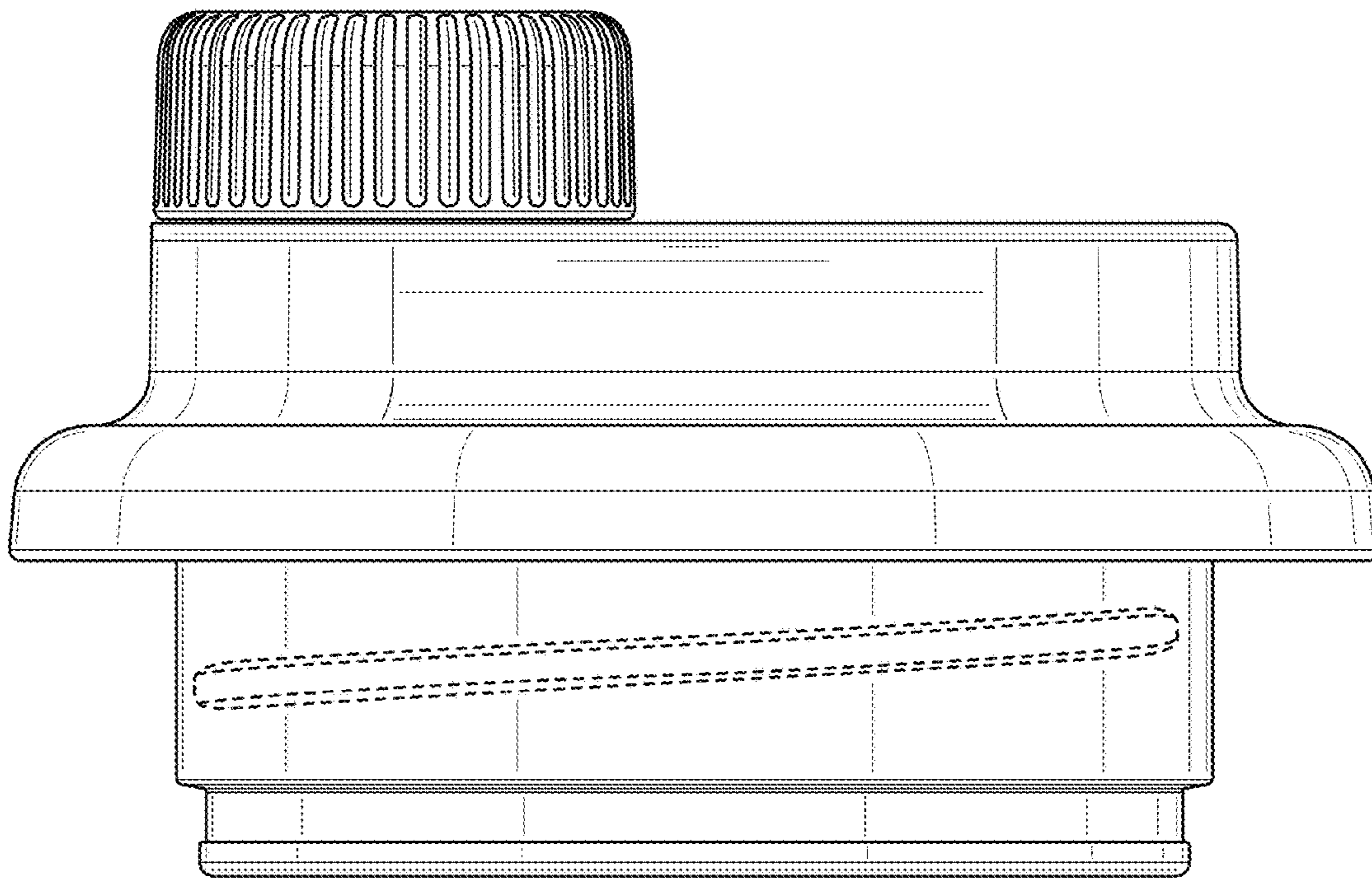


FIG. 5

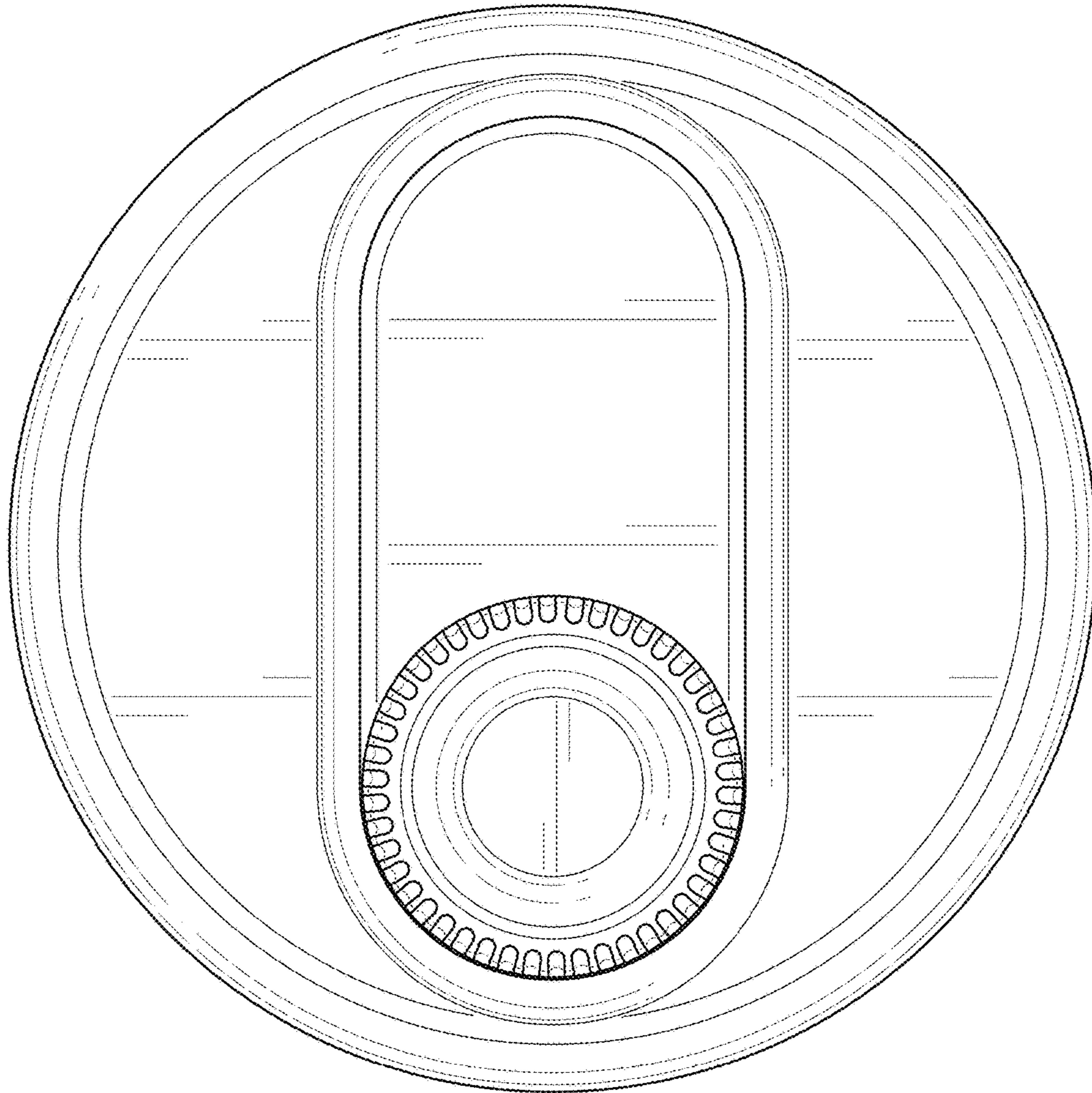


FIG. 6

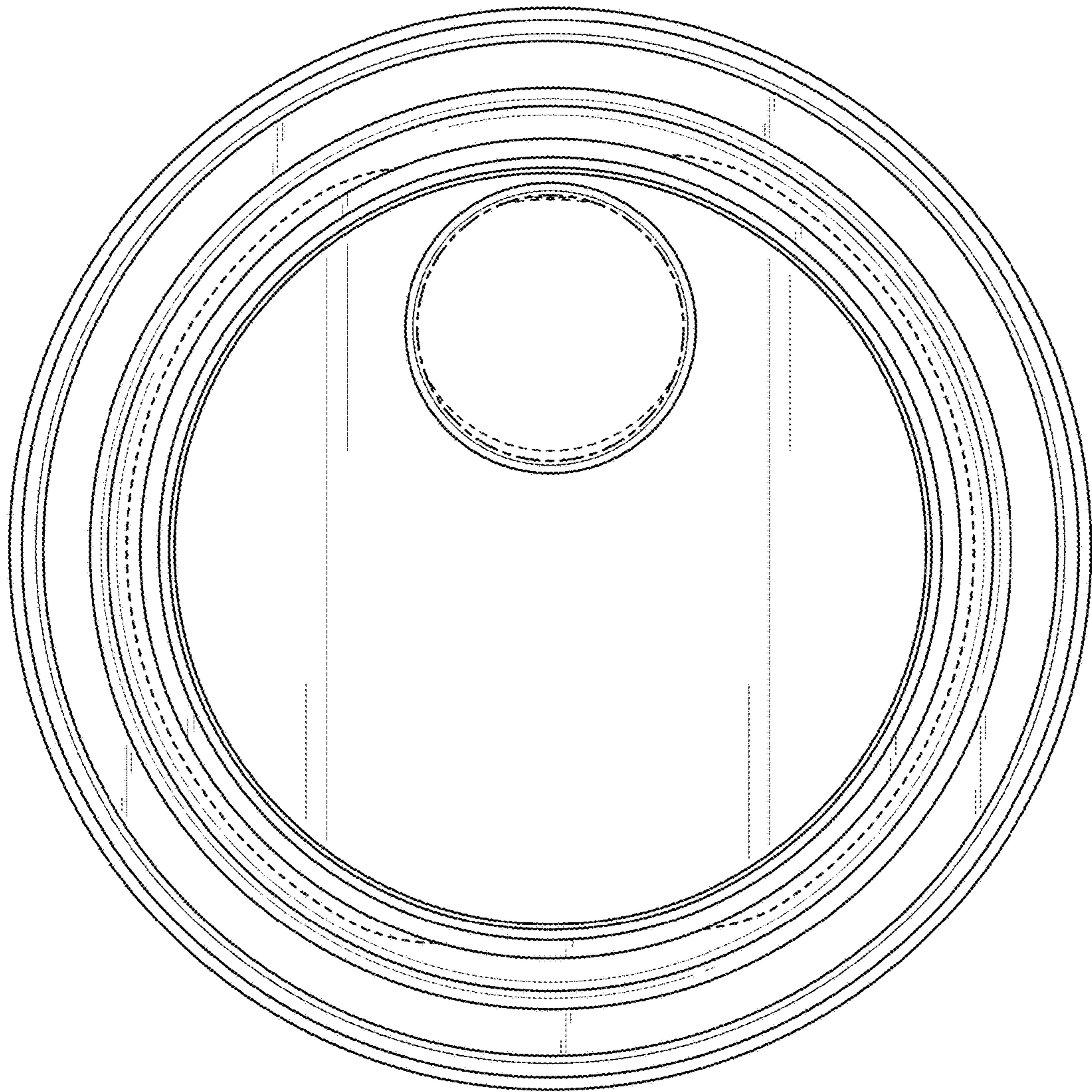


FIG. 7

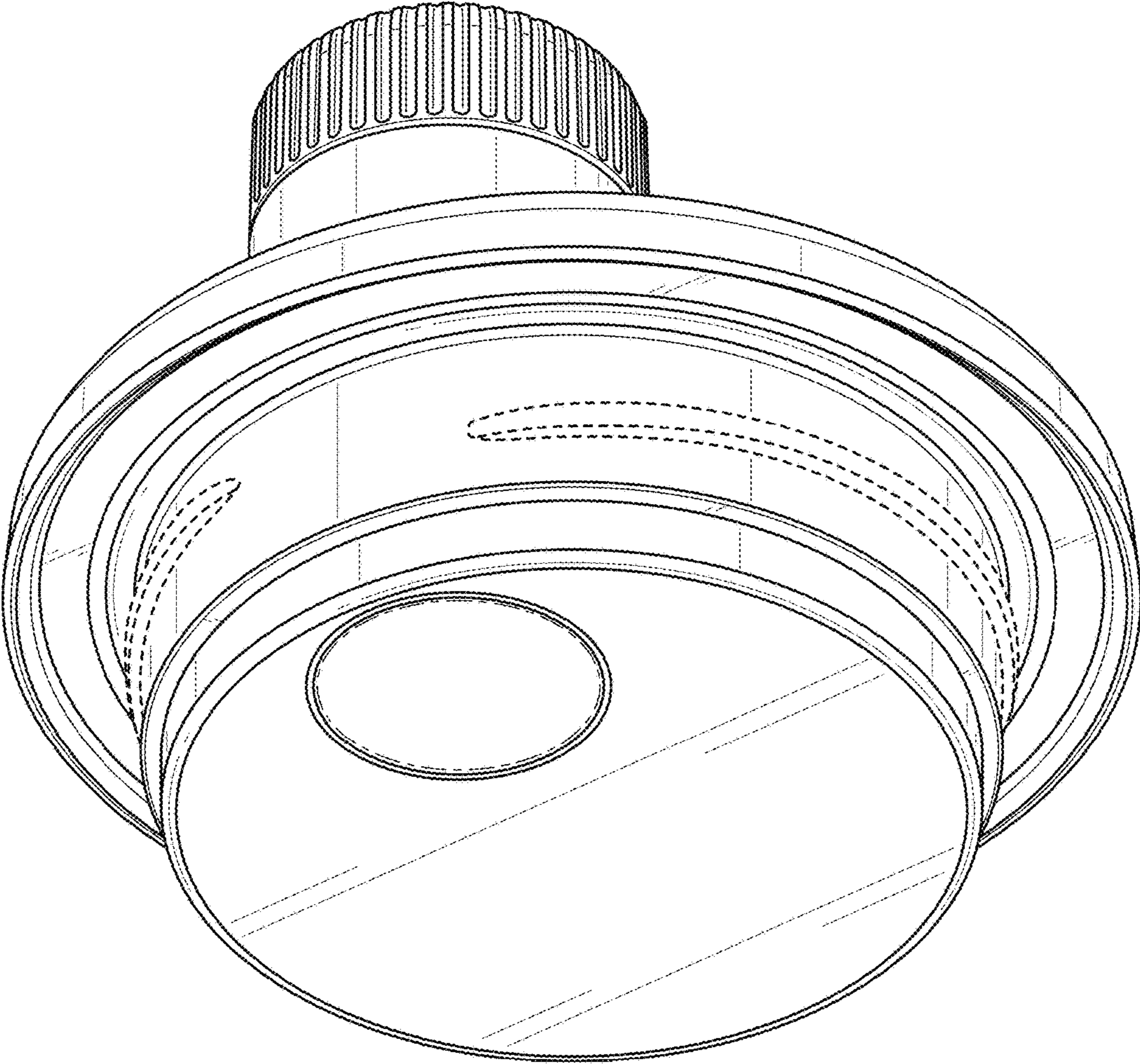


FIG. 8