



US00D831413S

(12) **United States Design Patent**
Tosdale et al.

(10) **Patent No.:** **US D831,413 S**
(45) **Date of Patent:** **** Oct. 23, 2018**

- (54) **COVER**
- (71) Applicant: **The Vollrath Company, L.L.C.**,
Sheboygan, WI (US)
- (72) Inventors: **David R. Tosdale**, Manitowoc, WI
(US); **Jill E. Hundley**, Manitowoc, WI
(US); **Rebecca J. Schreiber-Pethan**,
Sheboygan, WI (US)
- (73) Assignee: **The Vollrath Company, L.L.C.**,
Sheboygan, WI (US)
- (**) Term: **15 Years**
- (21) Appl. No.: **29/592,061**
- (22) Filed: **Jan. 26, 2017**
- (51) **LOC (11) Cl.** **07-99**
- (52) **U.S. Cl.**
USPC **D7/391**
- (58) **Field of Classification Search**
USPC D7/391, 412, 413, 300, 601, 323, 339,
D7/347, 354, 409, 402, 550.1, 355;
D3/273, 276, 280, 282, 283, 284;
D9/516, 558
CPC .. A47J 36/06; A47J 47/14; B65D 1/22; B65D
1/34; B65D 1/40; B65D 1/165; B65D
15/02; B65D 1/00; B65D 1/26
See application file for complete search history.

D437,181 S * 2/2001 Park D7/355
D438,422 S * 3/2001 Choi D7/355
6,273,288 B1 8/2001 Jarvis
(Continued)

FOREIGN PATENT DOCUMENTS

FR 2804409 8/2011

OTHER PUBLICATIONS

Contemporary Hinged Inset Covers, [online], [site visited Jan. 31, 2017]. Available from Internet, URL:<http://vollrath.com/Contemporary-Hinged-Inset-Covers-2439.htm>.*

(Continued)

Primary Examiner — Caron D Veynar
Assistant Examiner — Katrina N Gonzalez
(74) *Attorney, Agent, or Firm* — Foley & Lardner LLP

(57) **CLAIM**

We claim the ornamental design for a cover, as shown and described.

DESCRIPTION

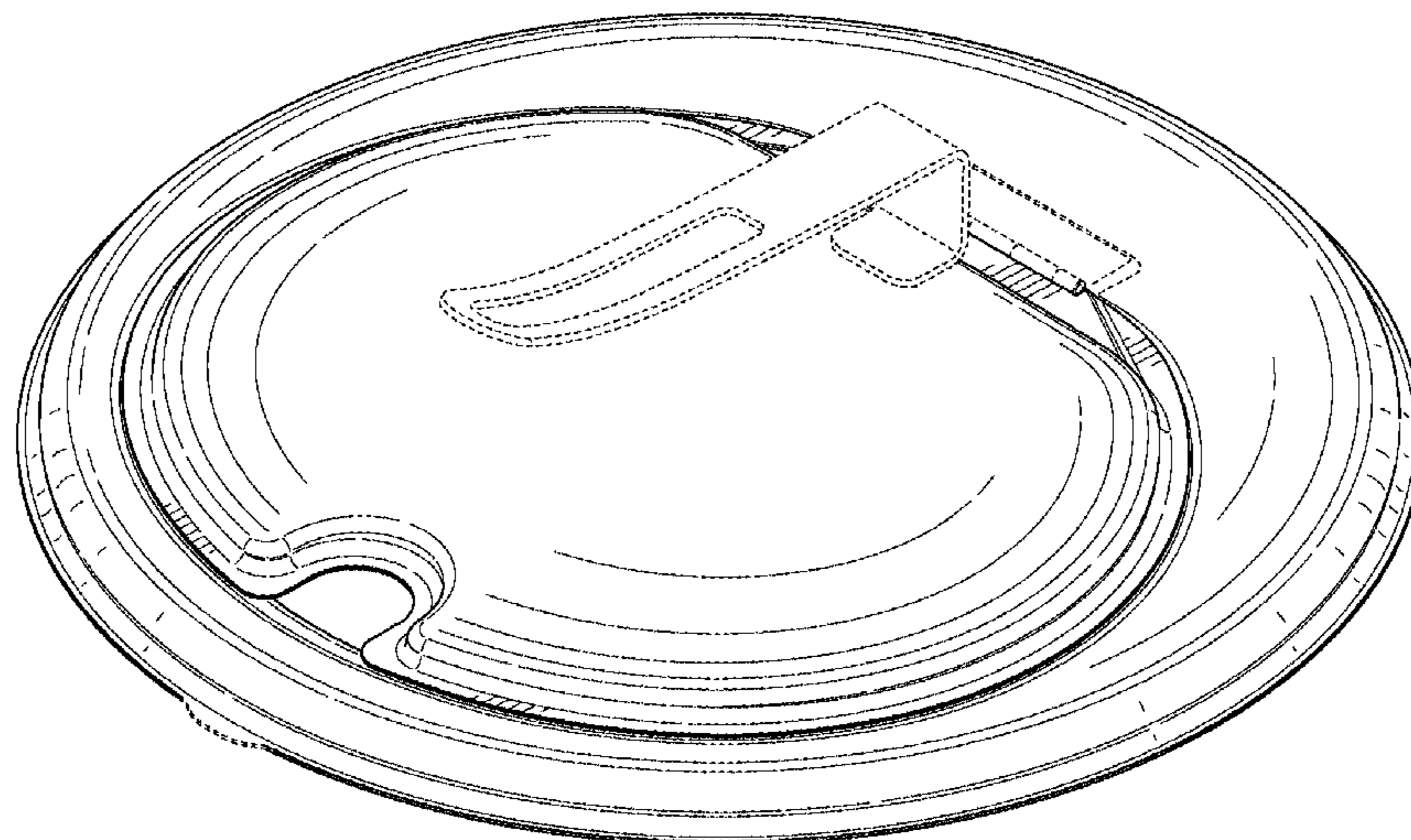
FIG. 1 is a top perspective view of a claimed design with the lid closed;
FIG. 2 is a top perspective view thereof with the lid open;
FIG. 3 is a front view thereof;
FIG. 4 is a rear view thereof;
FIG. 5 is a right side view thereof, with the left side view being a mirror image;
FIG. 6 is a top view thereof;
FIG. 7 is a bottom view thereof; and,
FIG. 8 is a cross-sectional view taken along line 8-8 in FIG. 6.
The cross-hatching in FIG. 8 is shown in broken lines. The broken lines are shown for the purpose of illustrating portions of the cover that form no part of the claimed design.

1 Claim, 7 Drawing Sheets

(56) **References Cited**

U.S. PATENT DOCUMENTS

- 619,145 A 2/1899 Day et al.
- 1,002,333 A 9/1911 Stollberg
- 1,431,288 A 10/1922 Corder
- 3,120,912 A 2/1964 Mount et al.
- 4,179,039 A 12/1979 Kawolics
- 4,736,867 A 4/1988 Feimer et al.
- D369,942 S * 5/1996 Ahern, Jr. D7/391
- D398,811 S * 9/1998 Montgelard D7/391
- D433,272 S * 11/2000 Park D7/355



(56)

References Cited

U.S. PATENT DOCUMENTS

D495,922 S * 9/2004 Settele D7/391
 D510,522 S 10/2005 Laveault et al.
 D522,362 S * 6/2006 Liebe D9/449
 D539,604 S * 4/2007 Chan D7/391
 D551,446 S 9/2007 Elnekaveh
 D582,205 S * 12/2008 Gerlach D7/391
 D598,746 S 8/2009 Caldwell
 D614,909 S * 5/2010 Lavy D7/354
 D619,892 S * 7/2010 Welk A47J 36/12
 D7/391
 D645,298 S * 9/2011 Saboe D7/354
 D650,628 S * 12/2011 Pallotto D7/354
 D684,816 S 6/2013 Chen
 D701,700 S * 4/2014 Abdi D3/318
 D719,143 S 12/2014 Vidovic
 D722,814 S * 2/2015 Heiberg D7/354
 D741,066 S * 10/2015 Abdi D3/318
 D746,631 S * 1/2016 Tseng D7/392.1

D749,896 S * 2/2016 Pallotto D7/354
 D772,002 S * 11/2016 Affatato D7/354
 D784,811 S * 4/2017 Scevola D7/387
 D794,456 S * 8/2017 Rockwell D9/434
 2004/0195238 A1 10/2004 Brija
 2014/0021214 A1 1/2014 Jack

OTHER PUBLICATIONS

The Vollrath Company Twitter, [online], [site visited Jan. 31, 2017]. Available from Internet, URL:<https://twitter.com/vollrathco>.
 Vollrath 8261710 Miramar, [online], [site visited Jan. 31, 2017]. Available from Internet, URL:<https://www.webstaurantstore.com/vollrath-8261710-miramar-hinged-cover-with-chrome-knob-for-10-qt-8231220-stainless-steel-soup-inset/9228261710%20%20CHRM.html>.
 Vollrath 72222, [online], [site visited Jan. 31, 2017]. Available from Internet, URL:<http://www.zesco.com/Vollrath-72222-Flip-Top-Hinge-Cover-Only-Fits-Covers-for-Vegetable-Insets-pz470D011.htm>.

* cited by examiner

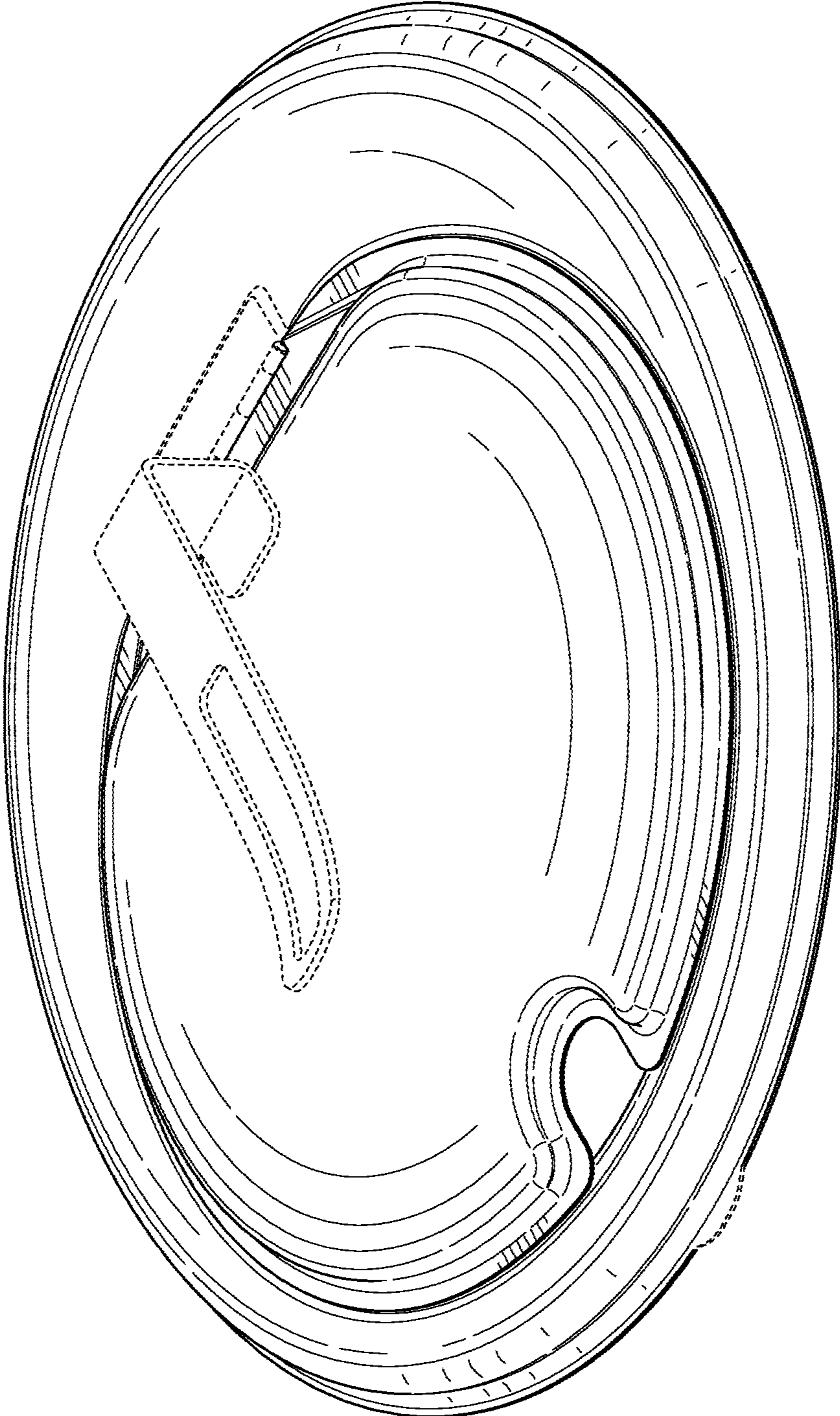


FIG. 1

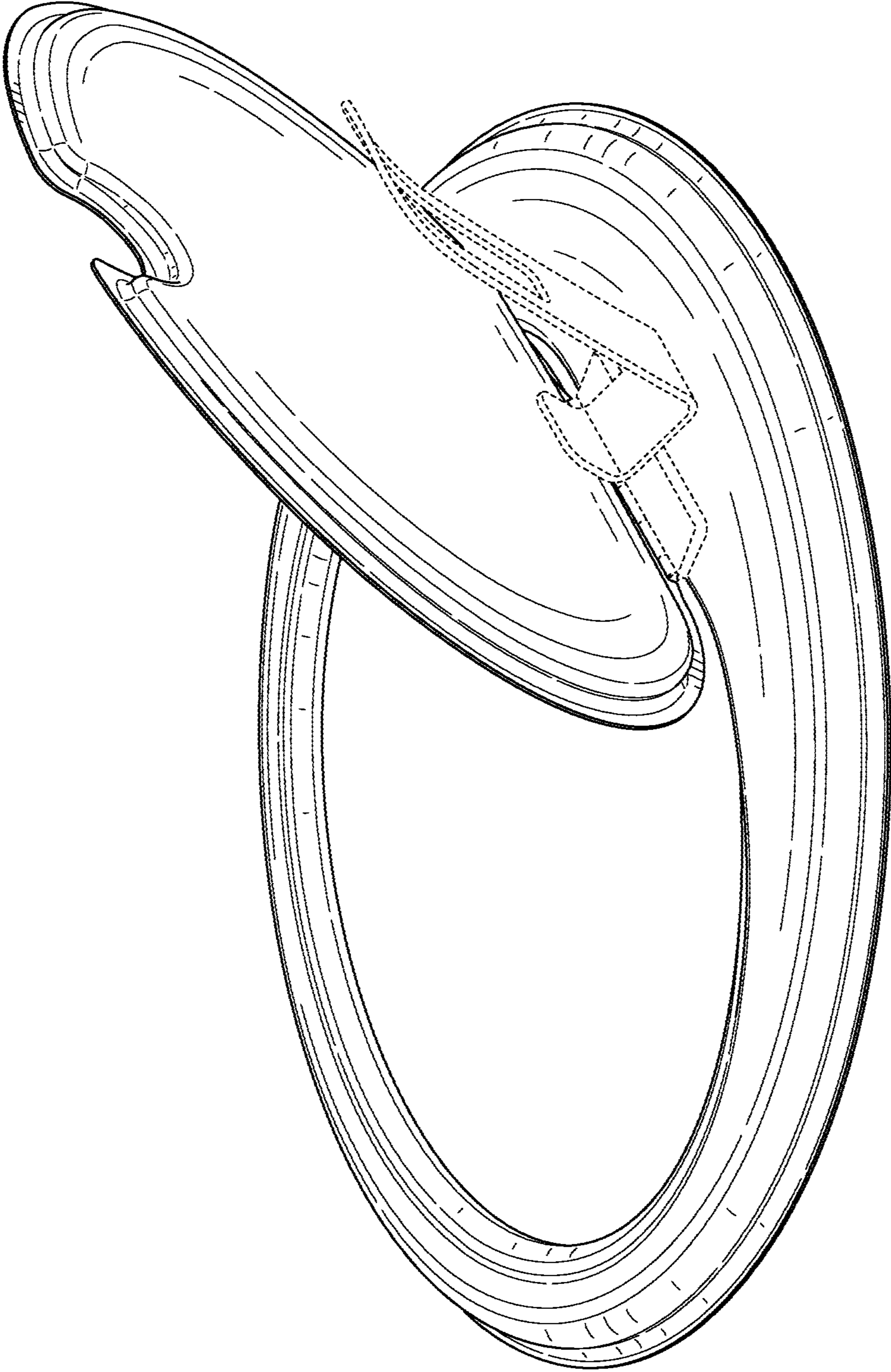


FIG. 2

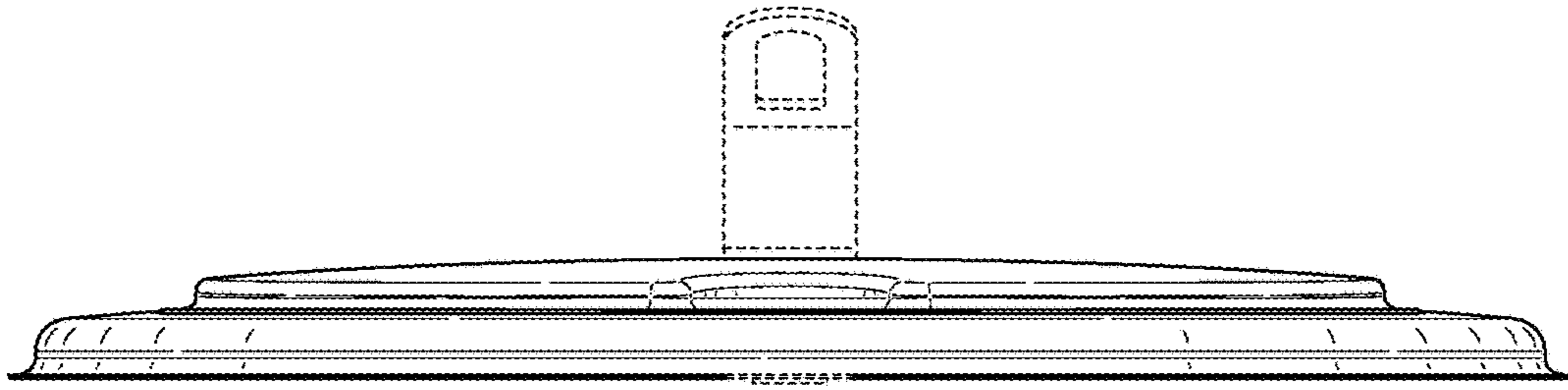


FIG. 3

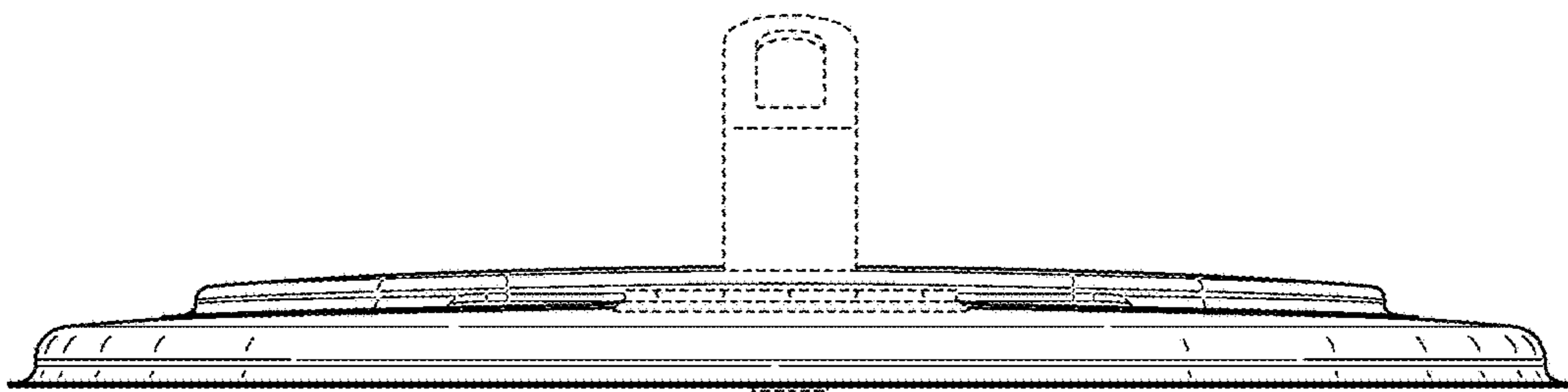


FIG. 4

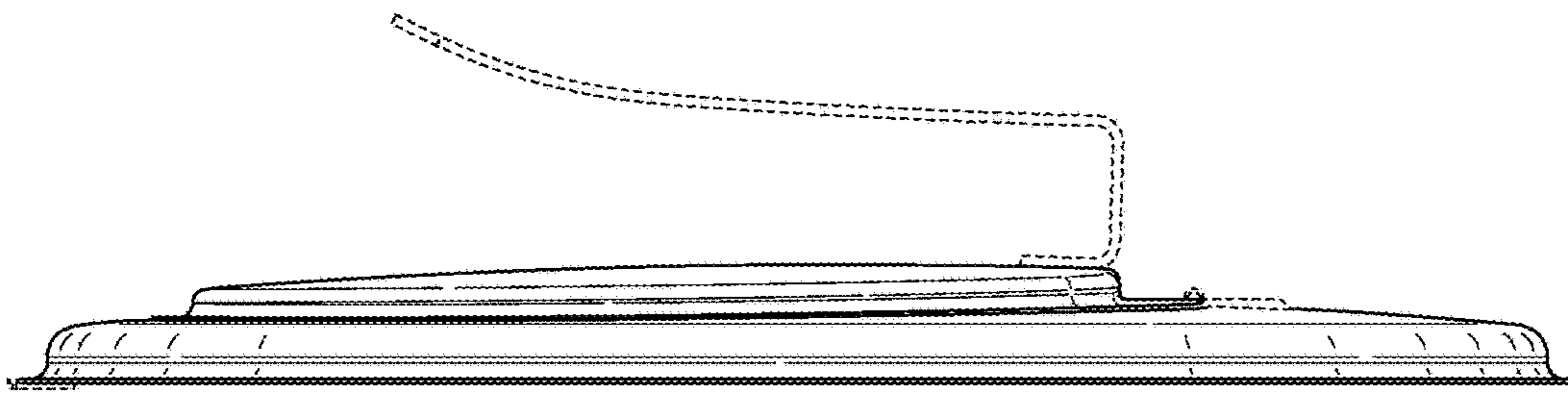


FIG. 5

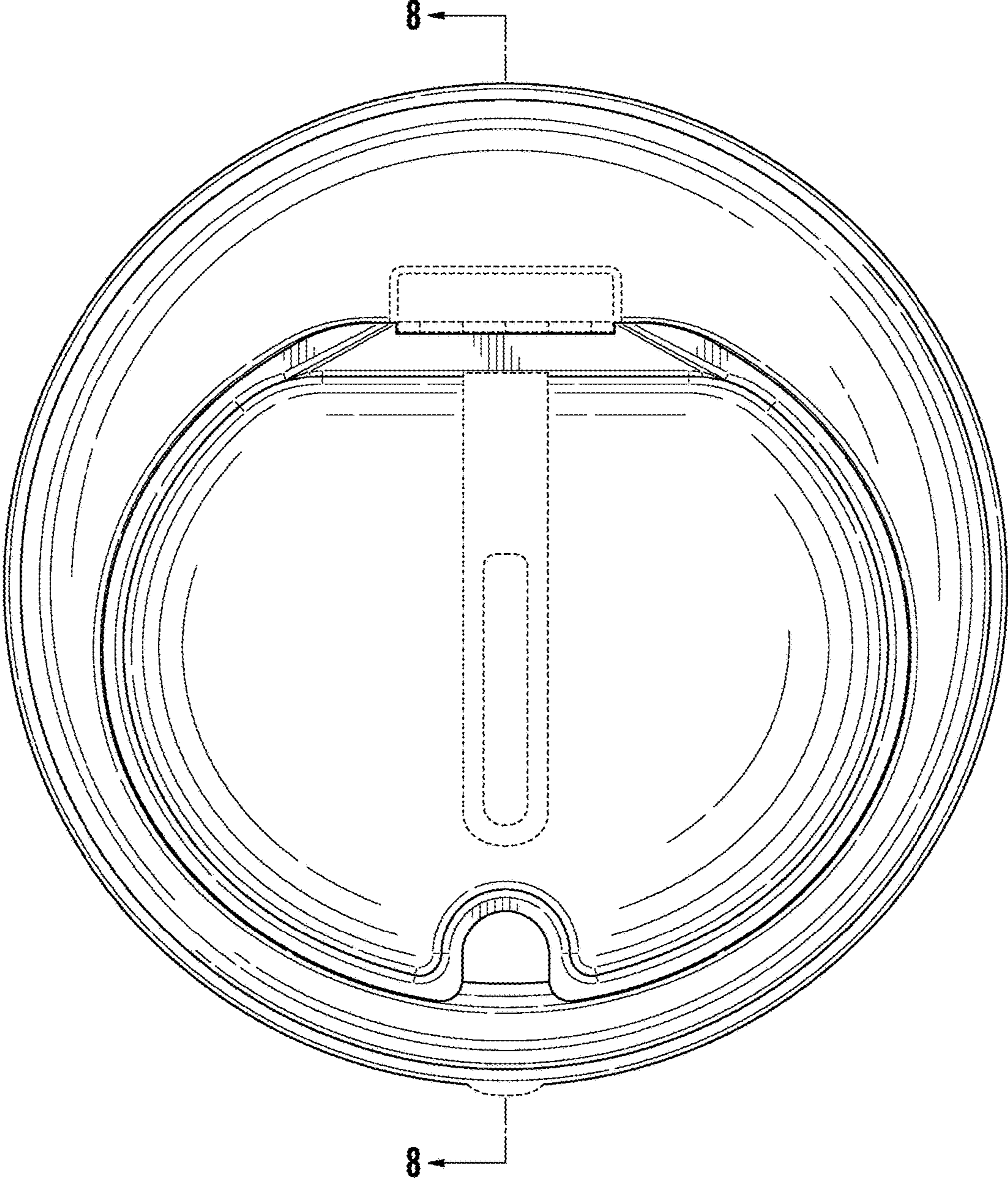


FIG. 6

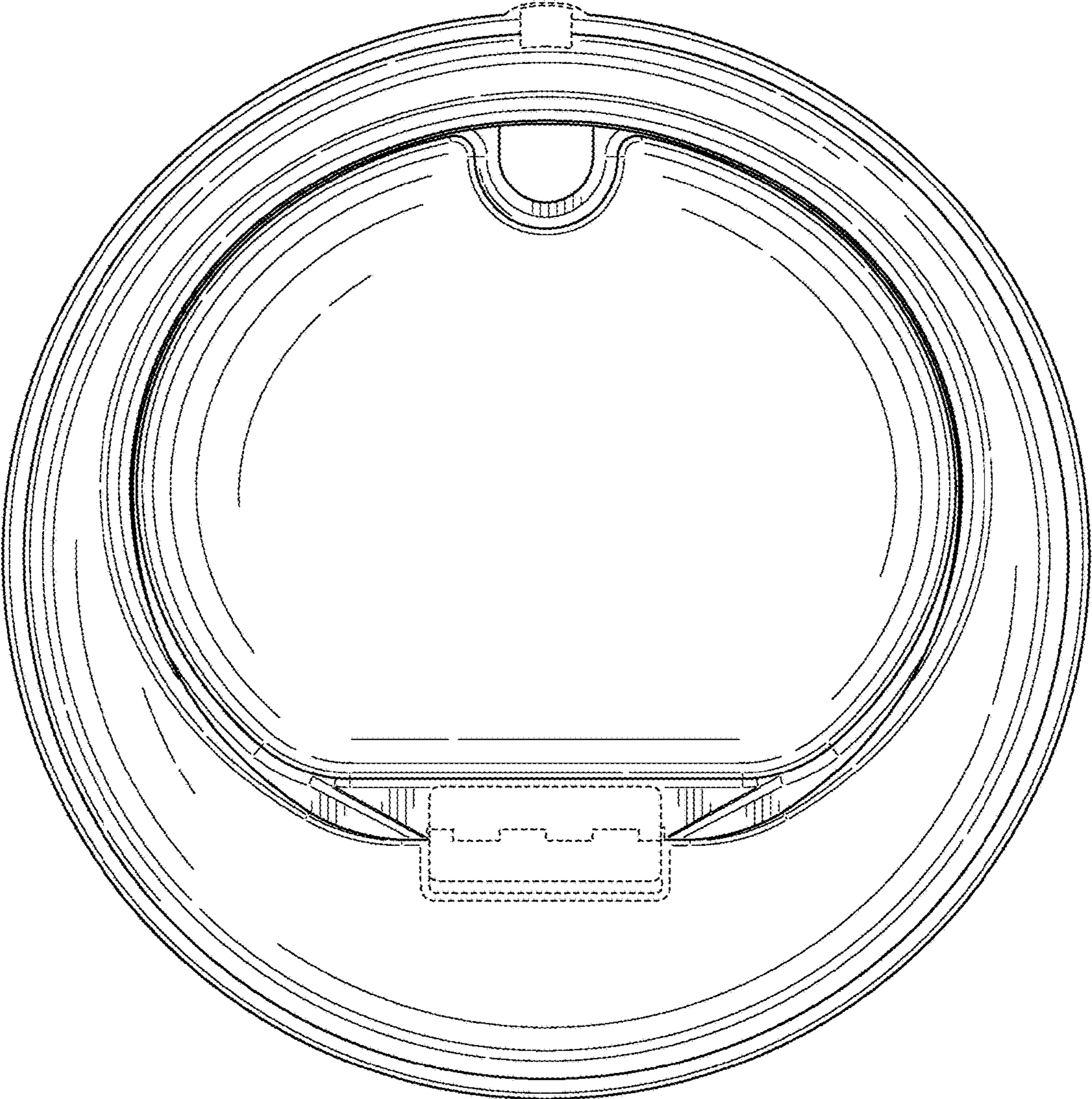


FIG. 7

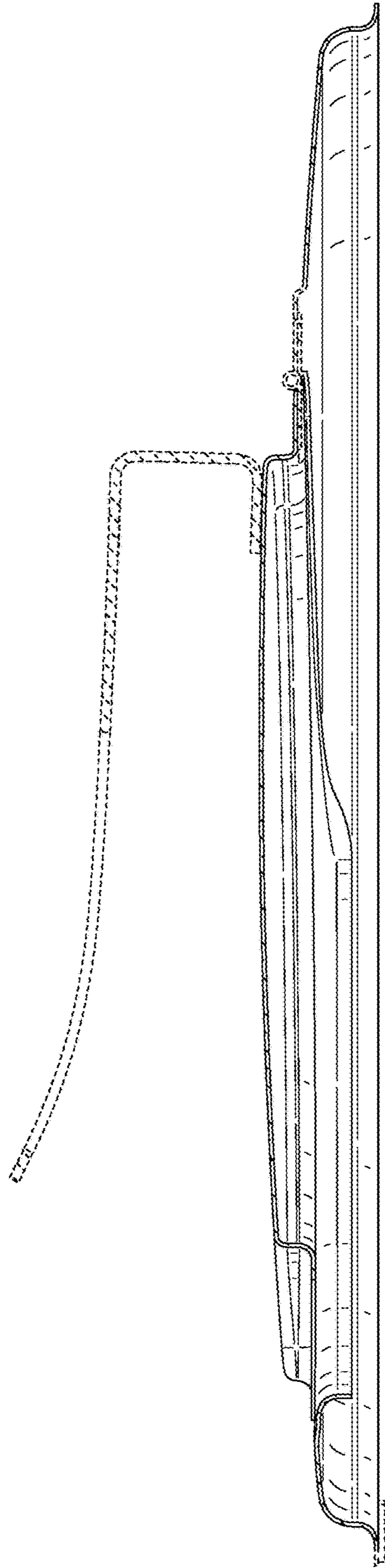


FIG. 8