



US00D831408S

(12) **United States Design Patent** (10) **Patent No.:** **US D831,408 S**
Tsai (45) **Date of Patent:** **** Oct. 23, 2018**

(54) **BASKET FOR DEEPFRYING**

(71) Applicant: **KE M.O. HOUSE CO., LTD.**,
Shenzhen (CN)

(72) Inventor: **Mo-Tsan Tsai**, Shenzhen (CN)

(73) Assignee: **KE M.O. HOUSE CO., LTD.**,
Shenzhen (CN)

(**) Term: **15 Years**

(21) Appl. No.: **29/604,008**

(22) Filed: **May 15, 2017**

(30) **Foreign Application Priority Data**

Mar. 10, 2017 (CN) 2017 3 0068887

(51) **LOC (11) Cl.** **07-02**

(52) **U.S. Cl.**
USPC **D7/361**

(58) **Field of Classification Search**

USPC D7/323, 330-331, 337, 339, 347,
D7/350-367, 378-384, 391-396, 401.2,
D7/402, 409, 542-545, 560, 664;
D8/107, 300, 303, 307, 313, 321;
D4/129, 138
CPC A47G 19/12; A47J 27/00; A47J 27/002;
A47J 27/004; A47J 27/006; A47J 27/02;
A47J 27/022; A47J 27/04; A47J 27/043;
A47J 36/025; A47J 36/06; A47J 36/08;
A47J 36/18; A47J 36/20; A47J 36/22;
A47J 37/00; A47J 37/10; A47J 37/101;
A47J 37/108; A47J 37/067; A47J 45/08;
A47J 45/061; A47J 45/085; A47J 45/071;
A47J 45/072; B65D 25/2802; B65D
25/2882; B65D 25/2885; B65D 25/2888;
B65D 25/2894; G07F 17/0064; G07F
17/0078; G07F 17/0085; H05B 6/12;
H05B 6/1227; Y10S 220/912

See application file for complete search history.

(56) **References Cited**

U.S. PATENT DOCUMENTS

1,569,544 A * 1/1926 Jamison A47J 37/1295
99/413
1,582,109 A * 4/1926 Wills A47J 37/1295
99/413
1,634,733 A * 7/1927 Wills A47J 37/1295
99/413

(Continued)

FOREIGN PATENT DOCUMENTS

CN 103829772 A * 6/2014
EP 241410 A * 10/1987
MX 3477 B * 4/2016

OTHER PUBLICATIONS

Lodge 8FB2 Deep Fry Basket, posted Feb. 1, 2004 [online],
retrieved Mar. 13, 2018, retrieved from internet, <<https://www.amazon.com/Lodge-8FB2-Deep-Basket-9-inch/dp/B00063RXPG>>.*

(Continued)

Primary Examiner — Barbara Fox

Assistant Examiner — Messina L Smith

(74) *Attorney, Agent, or Firm* — Hauptman Ham, LLP

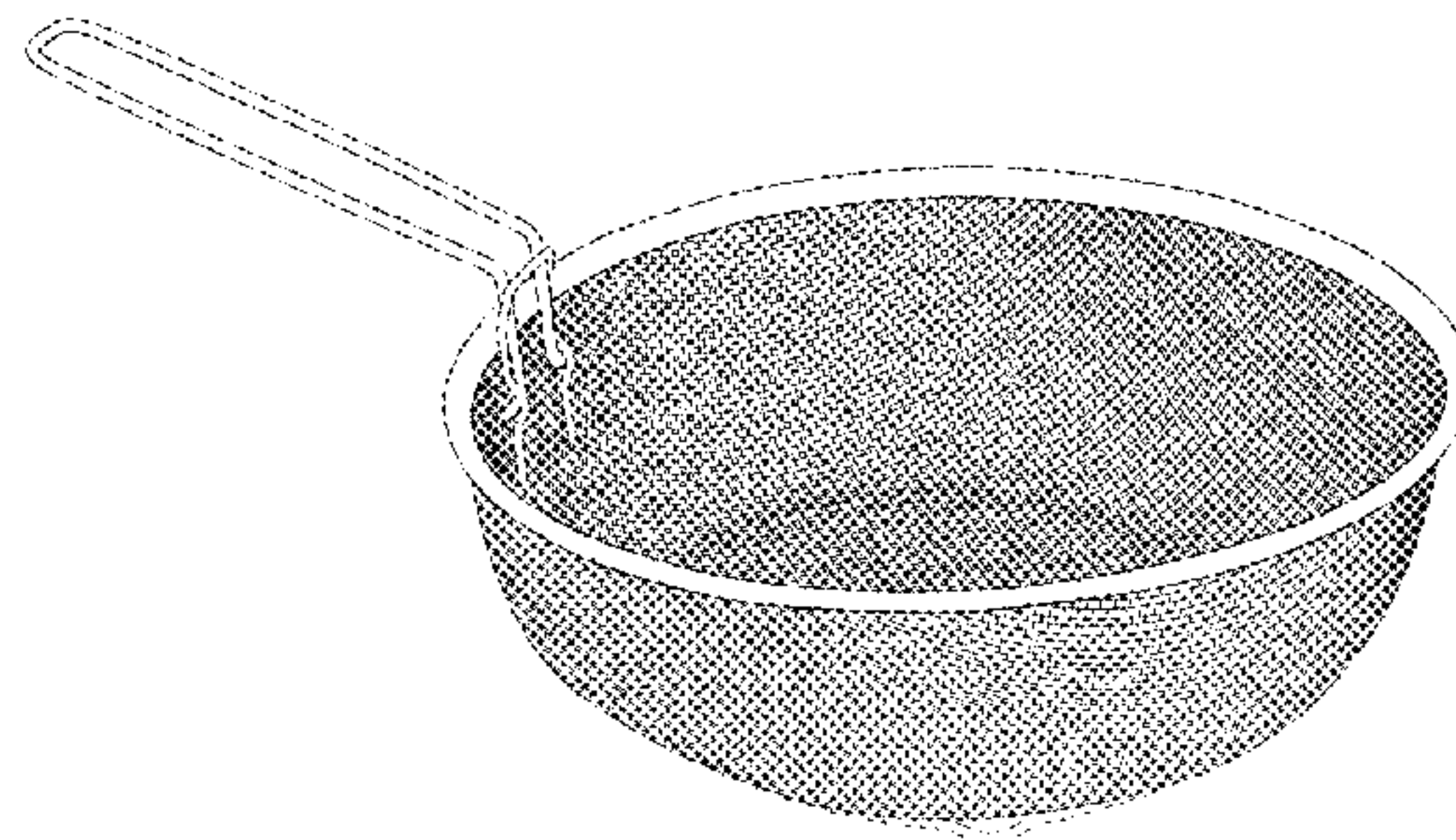
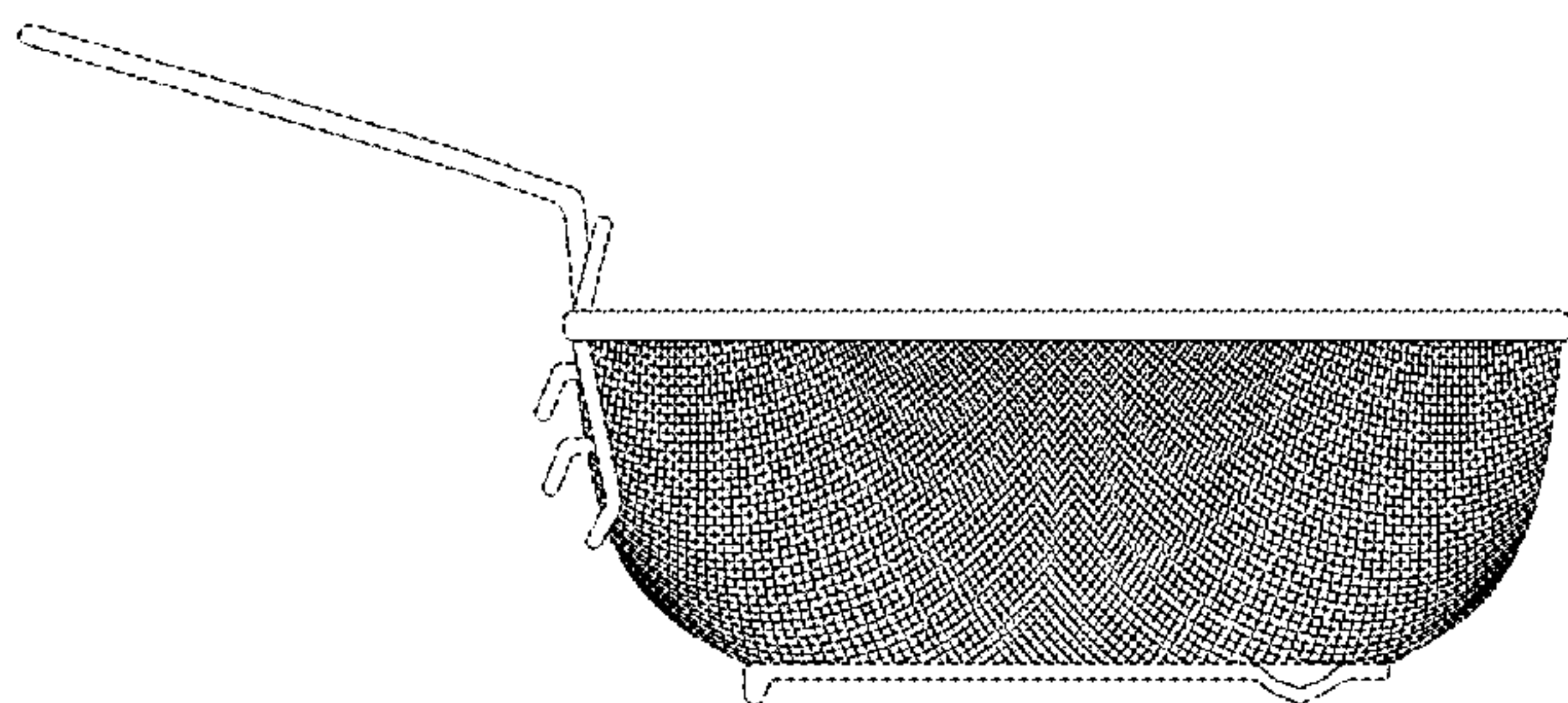
(57) **CLAIM**

The ornamental design for a basket for deepfrying, as shown
and described.

DESCRIPTION

FIG. 1 is a front view of a basket for deepfrying showing my
new design;
FIG. 2 is a rear view thereof;
FIG. 3 is a left side view thereof;
FIG. 4 is a right side view thereof;
FIG. 5 is a top plan view thereof;
FIG. 6 is a bottom plan view thereof; and,
FIG. 7 is a perspective view thereof.

1 Claim, 4 Drawing Sheets



(56)

References Cited

U.S. PATENT DOCUMENTS

1,712,161 A * 5/1929 Olson A47J 36/22
99/411
D291,642 S * 9/1987 Jerome D7/356
D503,592 S * 4/2005 de Groote D7/667
D639,604 S * 6/2011 Degnan D7/354
D643,247 S * 8/2011 Zemel D7/409
D648,983 S * 11/2011 Zemel D7/409
D799,897 S * 10/2017 McGrath D7/409
2005/0092762 A1 * 5/2005 Murat A47J 27/08
220/759
2009/0025128 A1 * 1/2009 Chong E03C 1/264
4/292

OTHER PUBLICATIONS

Cuisinox 8.5 inch Stainless Steel Fry Basket, posted May 28, 2008
[online], retrieved Mar. 13, 2018, retrieved from internet, <https://www.amazon.com/Cuisinox-inch-Stainless-Steel-Basket/dp/B001BKL8EA/ref=sr_1_64?s=home-garden&ie=UTF8&qid=1520953471&sr=1-64&keywords=frying+basket>.*

* cited by examiner

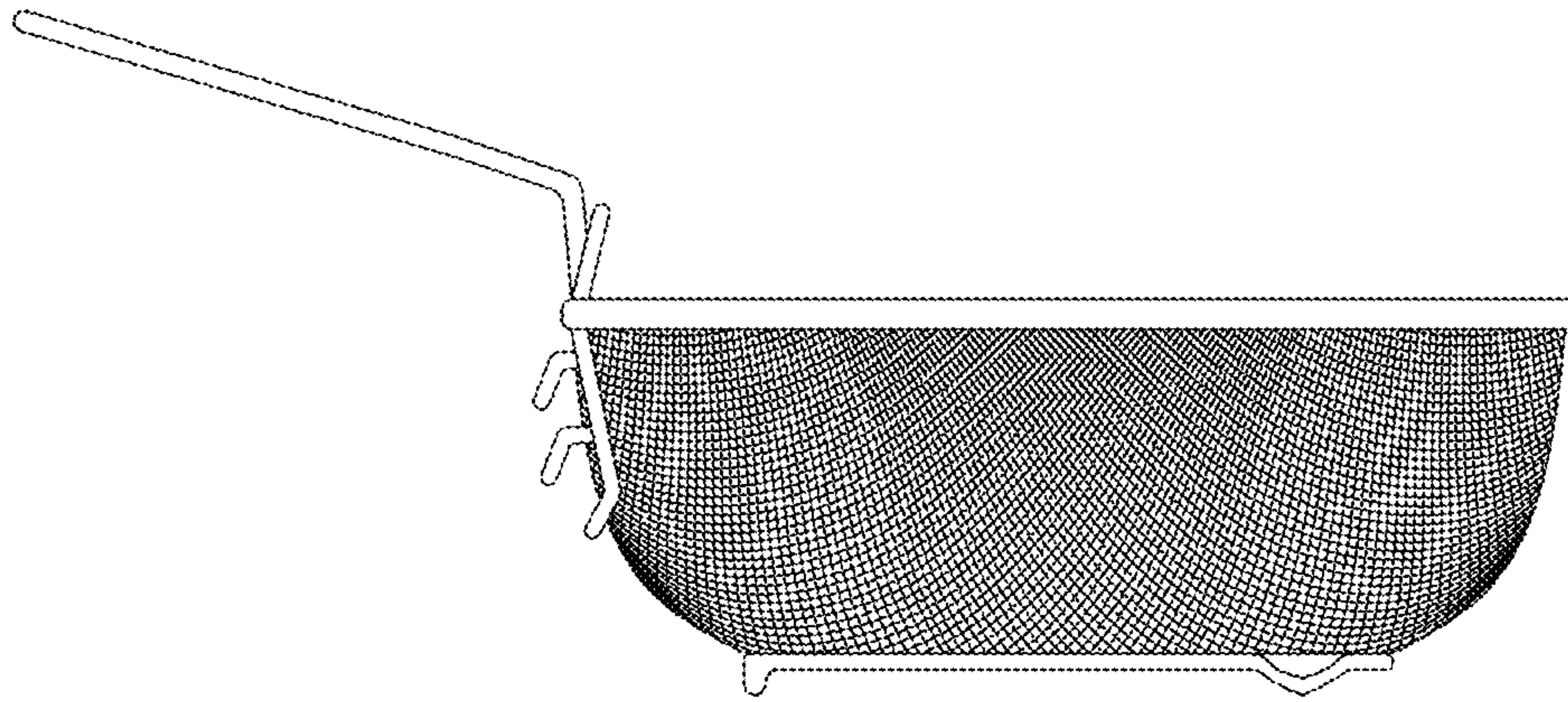


FIG. 1

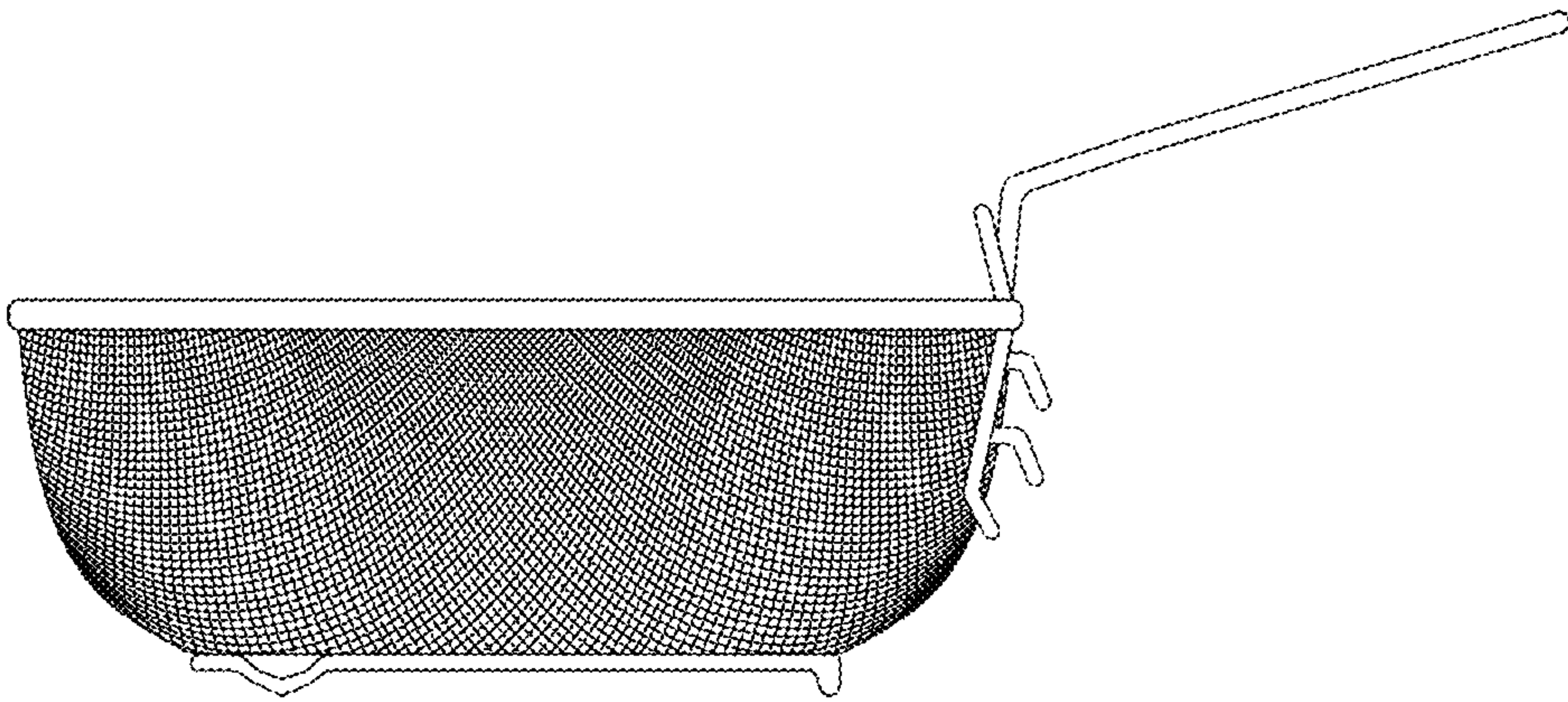


FIG. 2

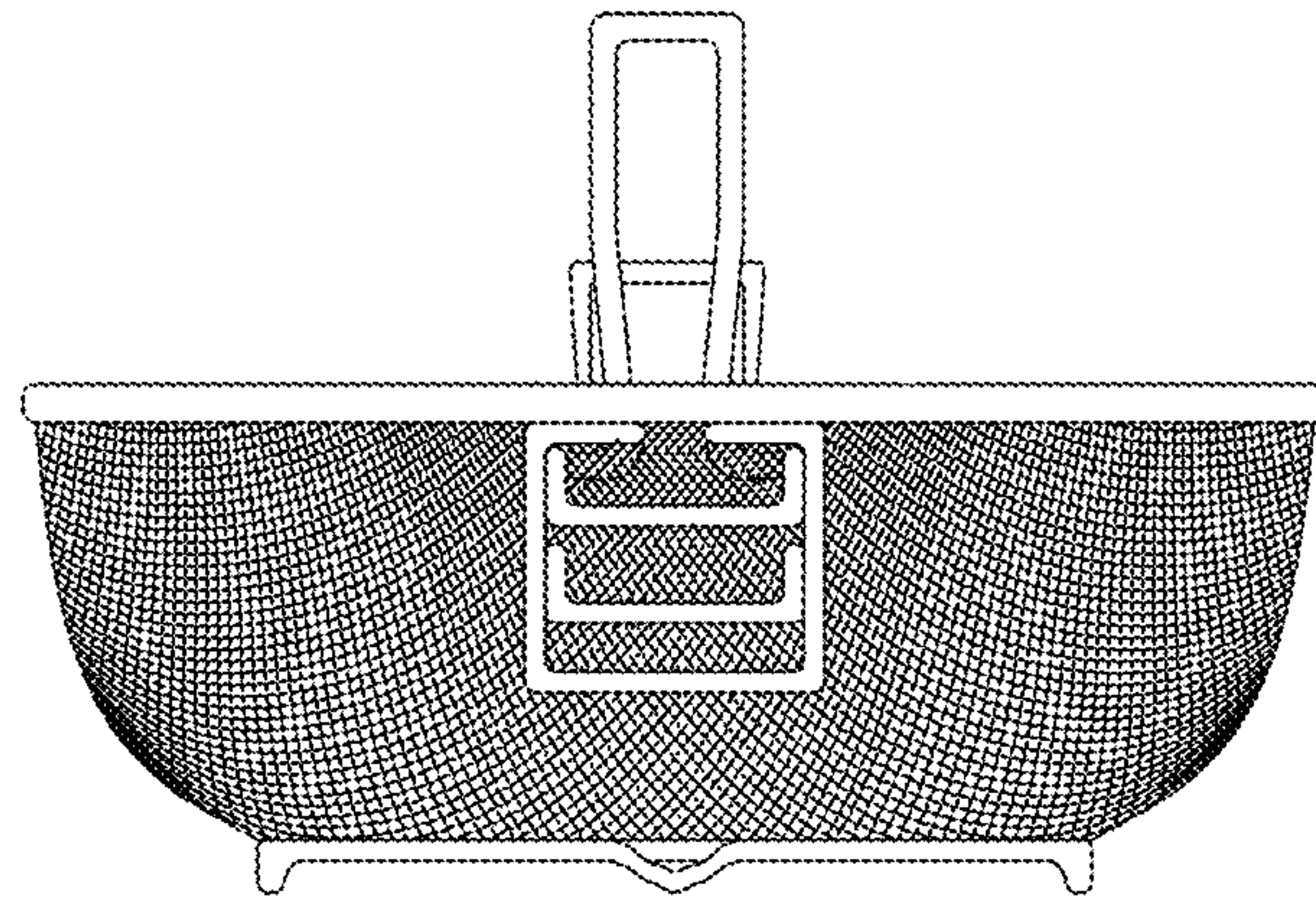


FIG.3

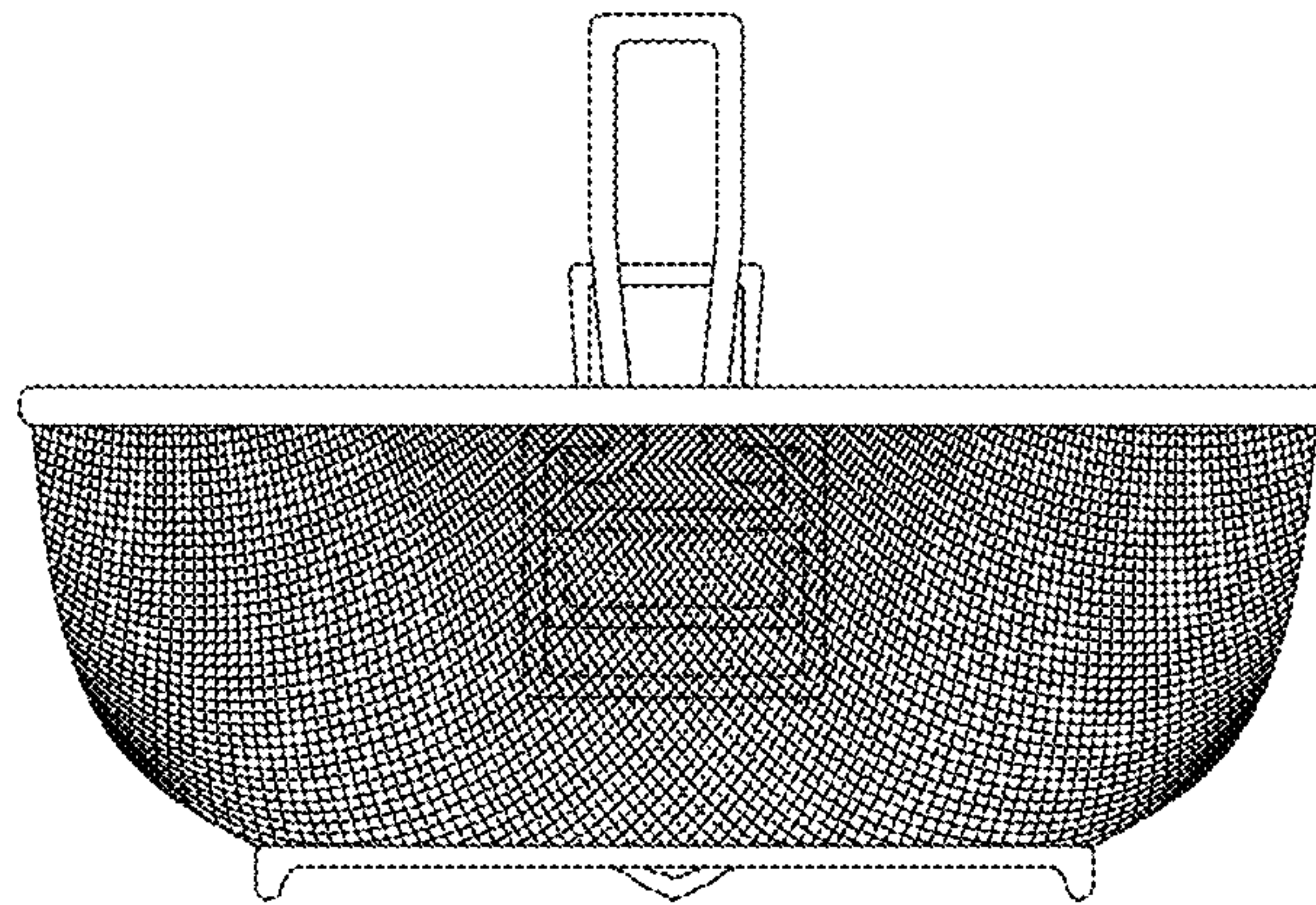


FIG.4

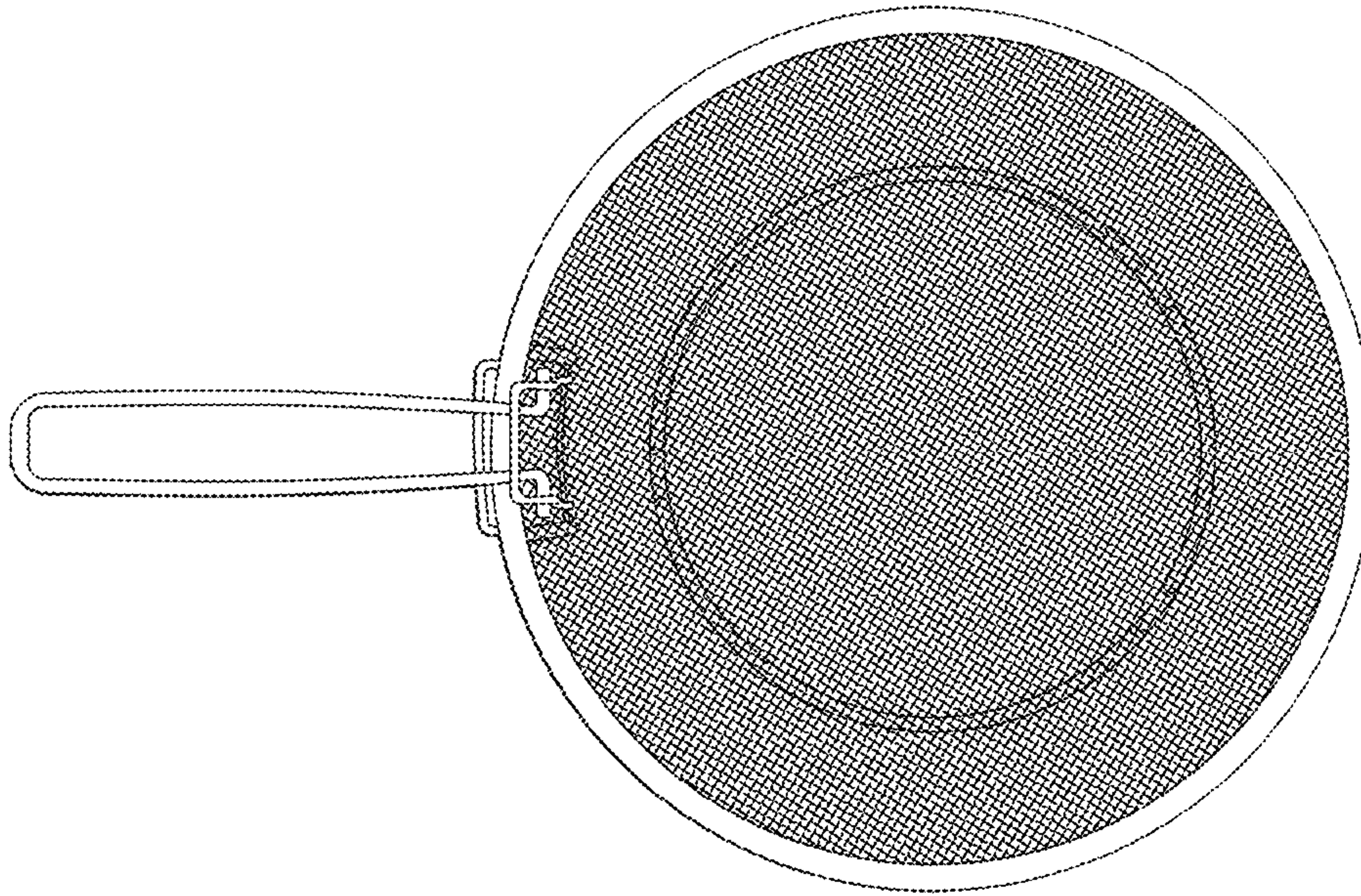


FIG.5

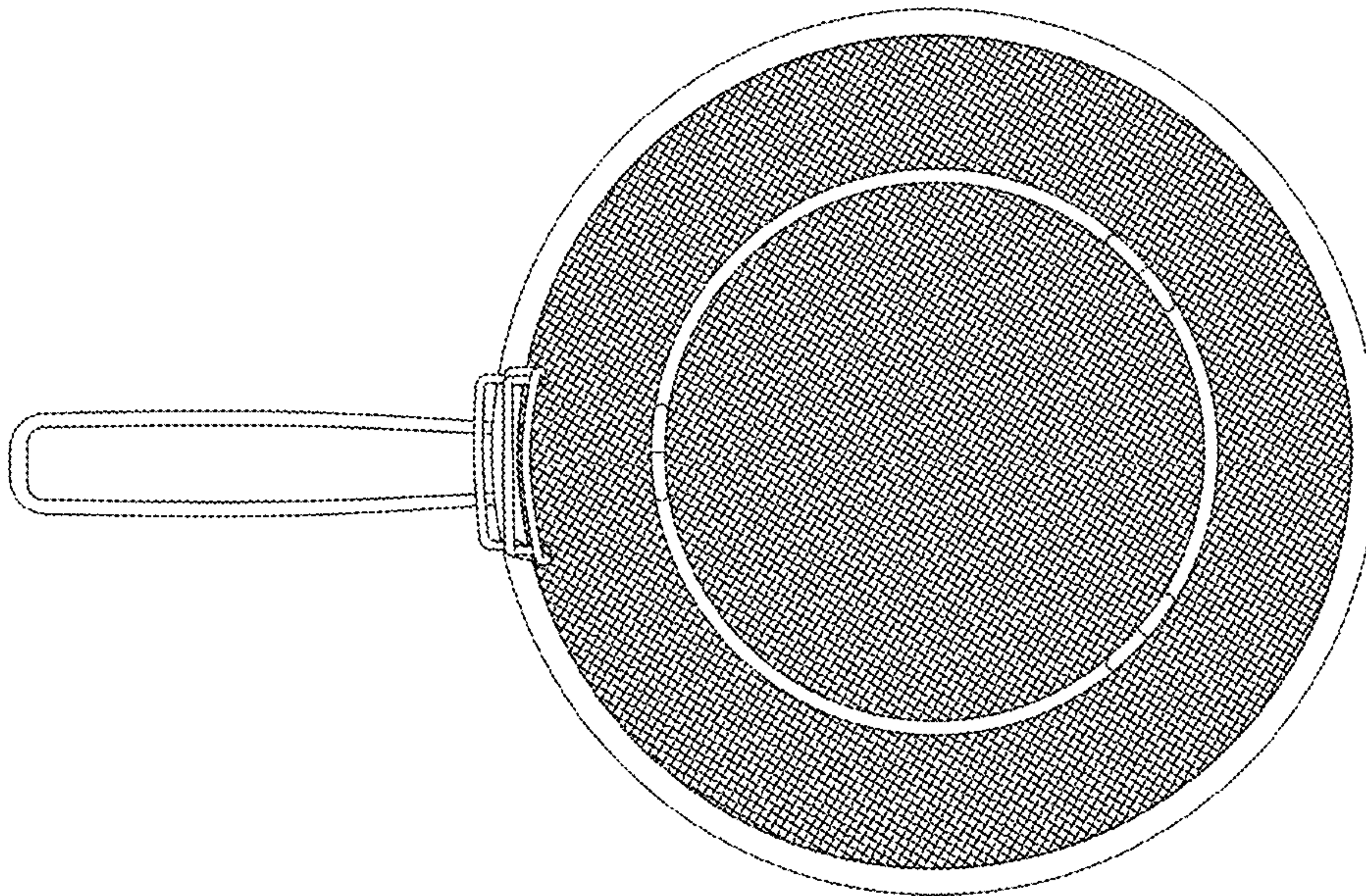


FIG.6

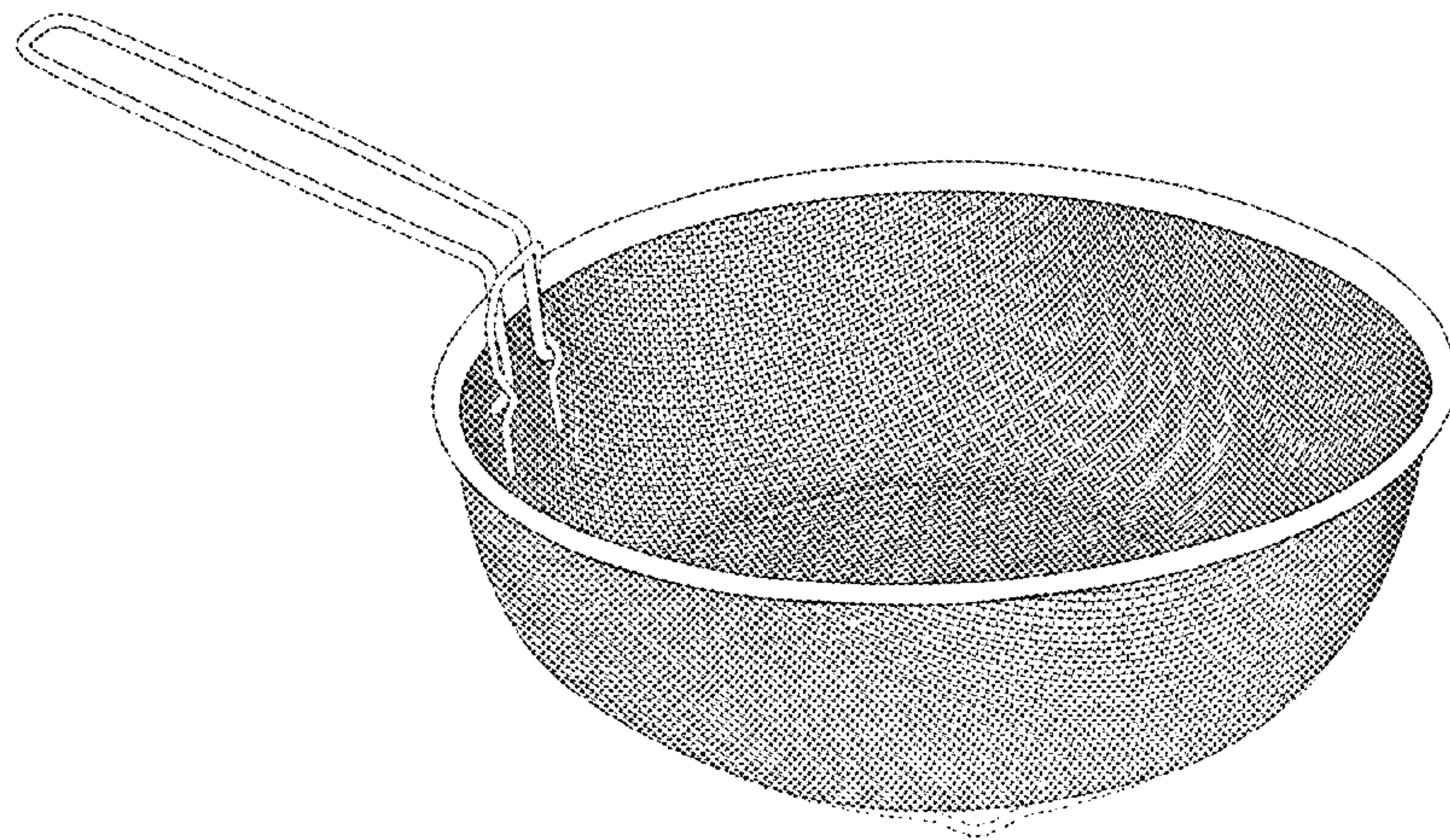


FIG.7