



US00D831406S

(12) **United States Design Patent**
Corlay

(10) **Patent No.:** **US D831,406 S**
(45) **Date of Patent:** **** Oct. 23, 2018**

- (54) **ELECTRIC GRILL**
- (71) Applicant: **TEFAL**, Rumilly (FR)
- (72) Inventor: **Florent Corlay**, Lyons (FR)
- (73) Assignee: **TEFAL**, Rumilly (FR)
- (**) Term: **15 Years**
- (21) Appl. No.: **29/617,967**
- (22) Filed: **Sep. 18, 2017**

(30) **Foreign Application Priority Data**

Mar. 17, 2017 (EM) 003805738-0001

(51) **LOC (11) Cl.** **07-02**

(52) **U.S. Cl.**
USPC **D7/352**

(58) **Field of Classification Search**
USPC D7/323, 328-330, 337, 347, 352-364,
D7/367, 402, 409-411
CPC . A21B 5/023; A47J 27/60; A47J 27/62; A47J
36/36; A47J 37/04; A47J 37/06; A47J
37/067; A47J 37/0605; A47J 37/0611;
A47J 37/0623; A47J 37/0629; A47J
37/0676; A47J 37/105; A47J 2037/06;
A47J 2037/0611; B01D 46/10; F24C
15/10; F24C 15/102; H05B 6/02; H05B
6/062

See application file for complete search history.

(56) **References Cited**

U.S. PATENT DOCUMENTS

- D509,703 S 9/2005 Barker
- D527,941 S 9/2006 Serra
- D528,350 S 9/2006 McHutchison
- D546,619 S 7/2007 McHutchison
- D568,090 S * 5/2008 Lam D7/352
- D588,858 S 3/2009 Tetreault et al.

- D591,550 S 5/2009 Lam
- 7,717,028 B2 * 5/2010 Serra A47J 37/0611
99/339
- D622,538 S 8/2010 Hoare et al.
- D632,127 S 2/2011 Whitcombe
- D634,969 S 3/2011 De' Longhi
- 7,963,215 B2 6/2011 Ho et al.
- D644,477 S 9/2011 Burton et al.
- 8,156,860 B2 4/2012 Liu et al.
- D670,530 S 11/2012 Huber et al.
- D671,791 S 12/2012 Cesaroni et al.
- D679,129 S 4/2013 Cesaroni et al.
- D694,570 S * 12/2013 Day D7/352
- D697,360 S 1/2014 Josancy
- D714,092 S 9/2014 Verbrugge
- D715,085 S 10/2014 Piret
- D715,086 S 10/2014 Piret
- D731,228 S 6/2015 Garman
- D760,532 S 7/2016 Koszylko

(Continued)

Primary Examiner — Ricky Pham

(74) *Attorney, Agent, or Firm* — Loeb & Loeb LLP

(57) **CLAIM**

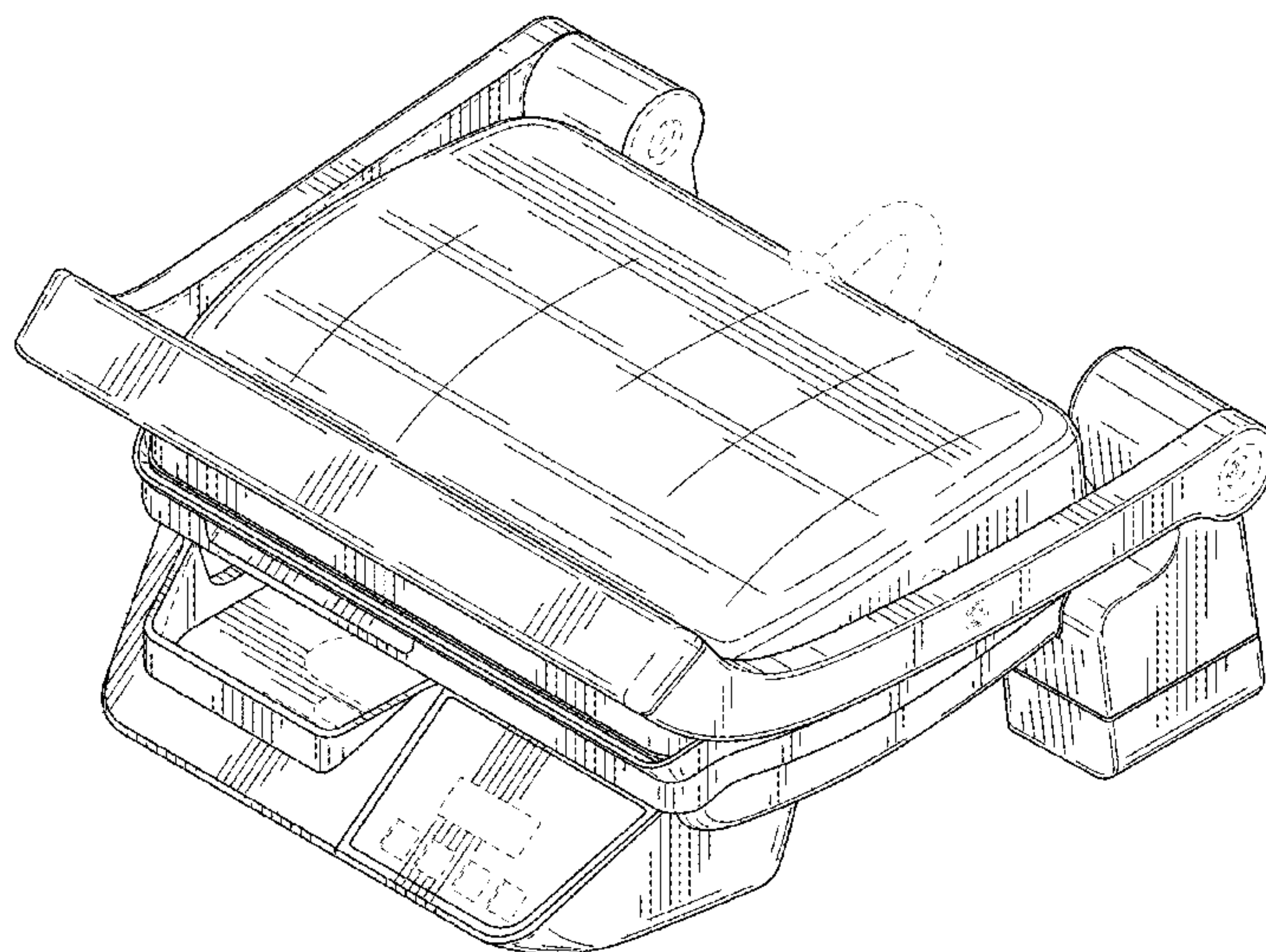
The ornamental design for an electric grill, as shown and described.

DESCRIPTION

FIG. 1 is a perspective view of an electric grill showing my new design;
FIG. 2 is a front elevational view thereof;
FIG. 3 is a back elevational view thereof;
FIG. 4 is a right side elevational view thereof;
FIG. 5 is a left side elevational view thereof;
FIG. 6 is a top view thereof; and,
FIG. 7 is a bottom view thereof.

The broken lines shown in the drawings are for the purpose of illustrating portions of the electric grill that form no part of the claimed design. The dot dash lines are for the purpose of illustrating the bounds of the claim and form no part of the claimed design.

1 Claim, 7 Drawing Sheets



(56)

References Cited

U.S. PATENT DOCUMENTS

9,392,899 B2 * 7/2016 Fung A47J 27/62
9,402,506 B2 * 8/2016 Fung A47J 37/0611
D766,645 S 9/2016 Koszylko
9,433,319 B2 * 9/2016 Fung A47J 36/36
9,636,618 B2 * 5/2017 Fung B01D 46/10
D801,102 S * 10/2017 Koszylko D7/352
D802,984 S 11/2017 Dutruel
D811,155 S * 2/2018 De' Longhi D7/352
D817,695 S * 5/2018 Liu D7/352
2005/0139086 A1 * 6/2005 McHutchison A47J 37/0611
99/389
2007/0017384 A1 1/2007 Serra
2010/0319550 A1 * 12/2010 Wu A47J 37/0611
99/380
2017/0367531 A1 * 12/2017 Yan A47J 37/0611

* cited by examiner

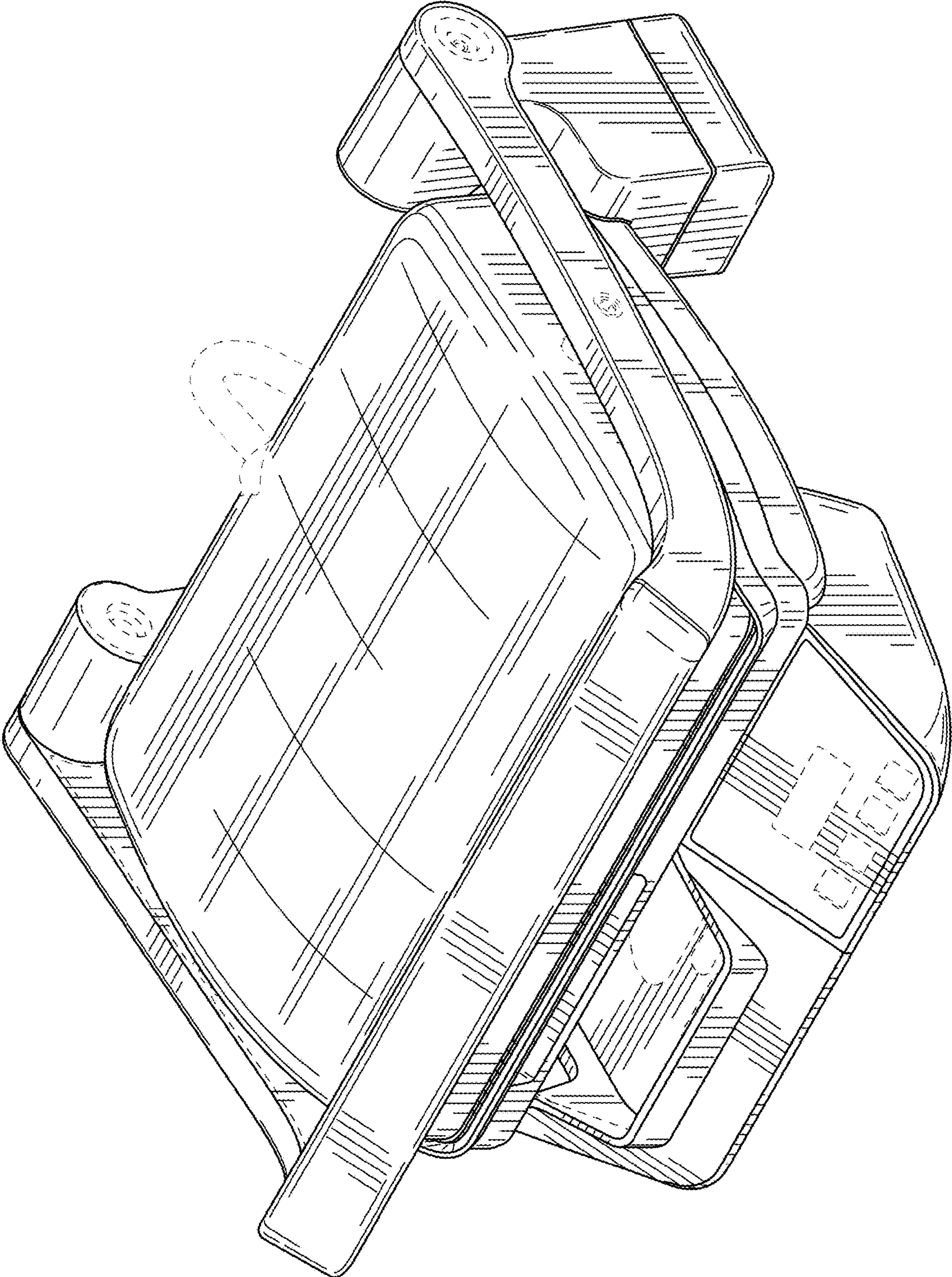


FIG. 1

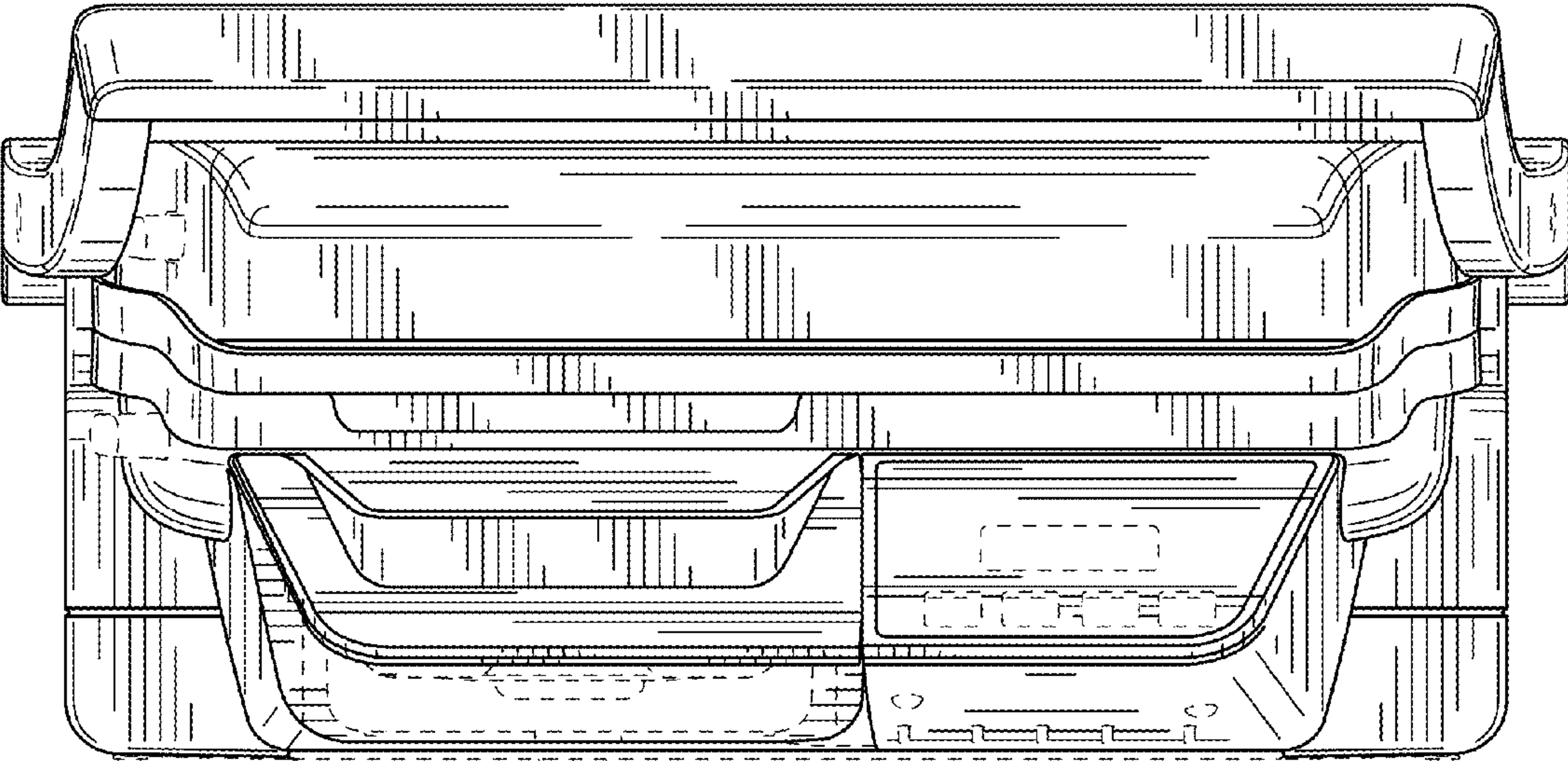


FIG. 2

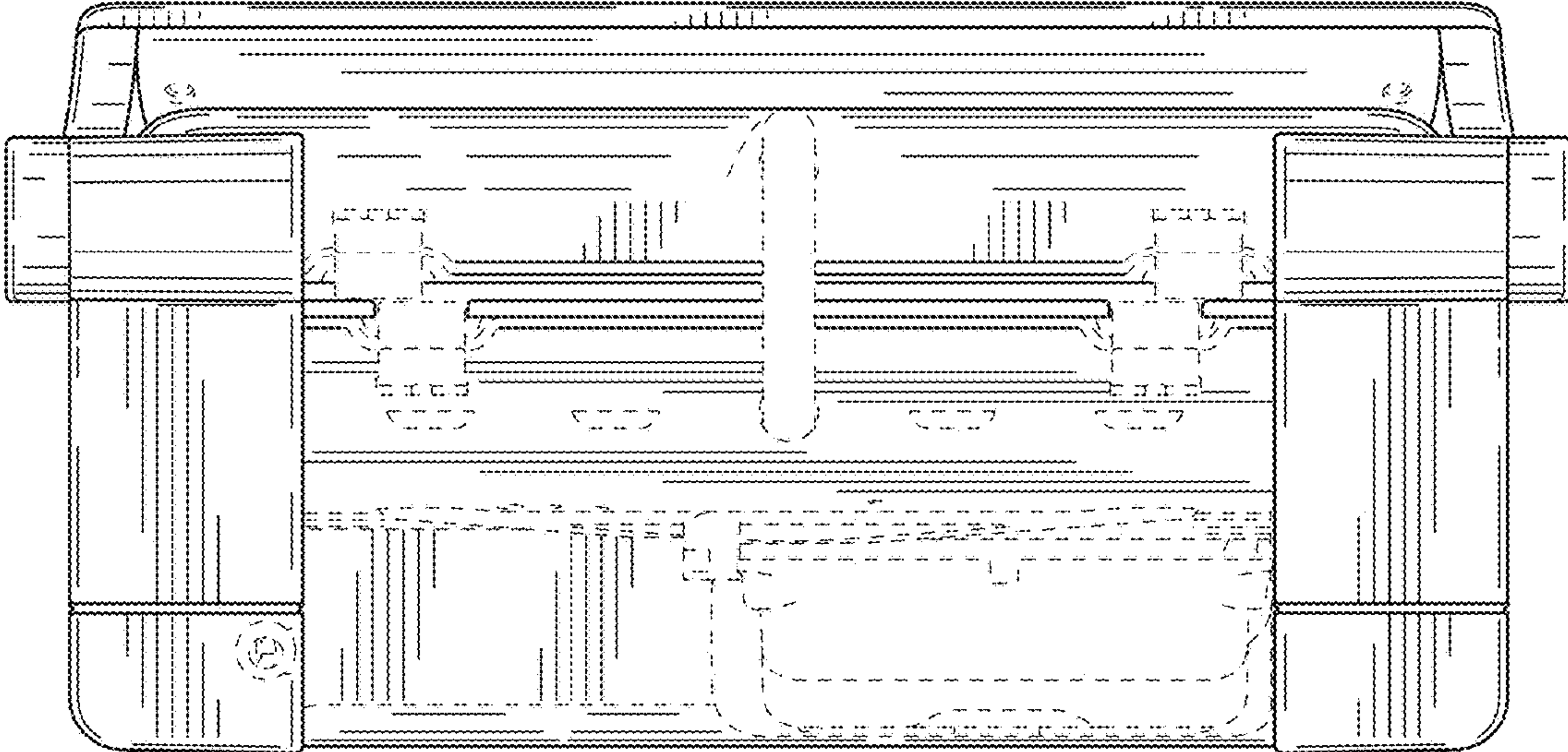


FIG. 3

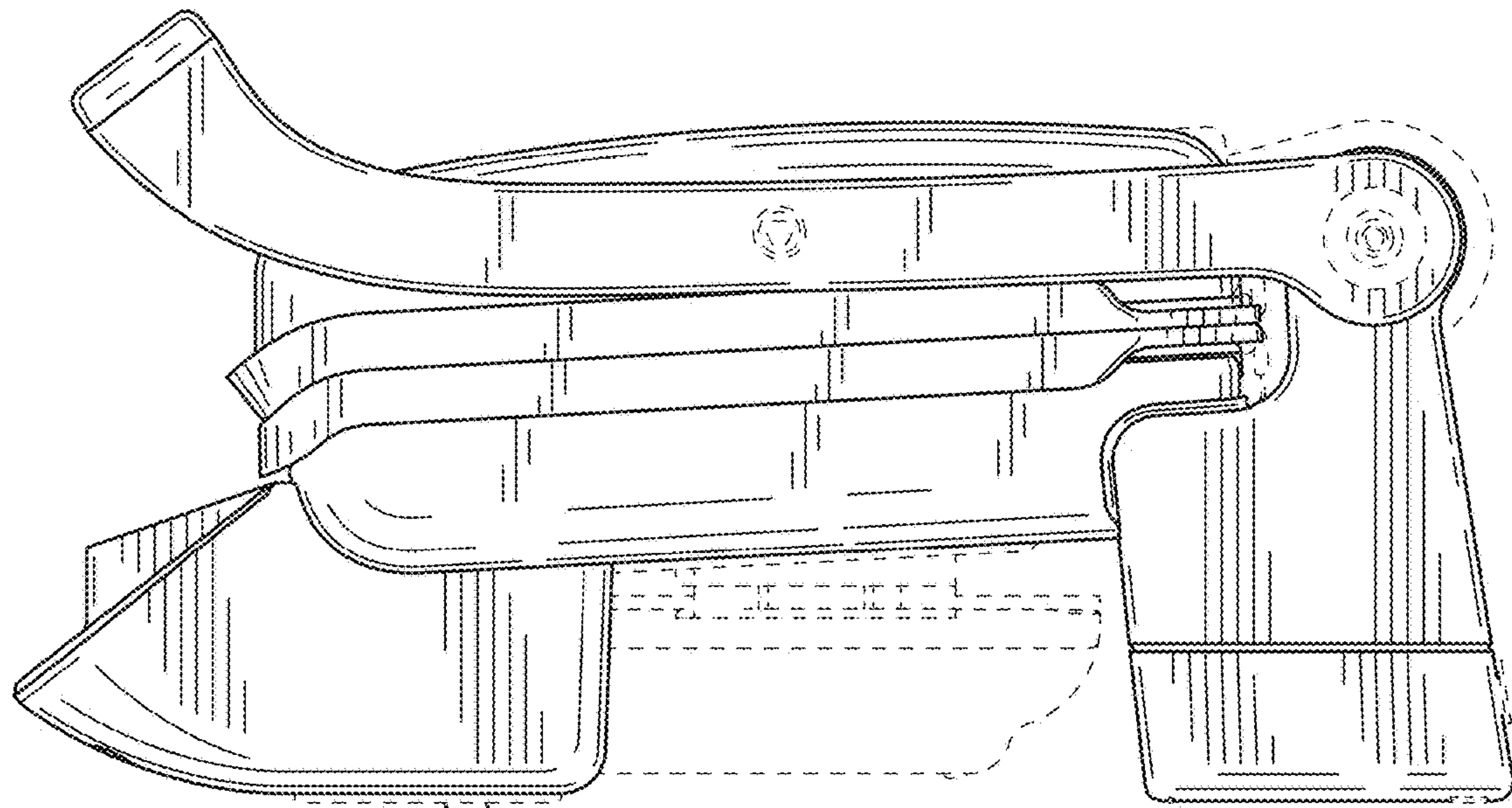


FIG. 4

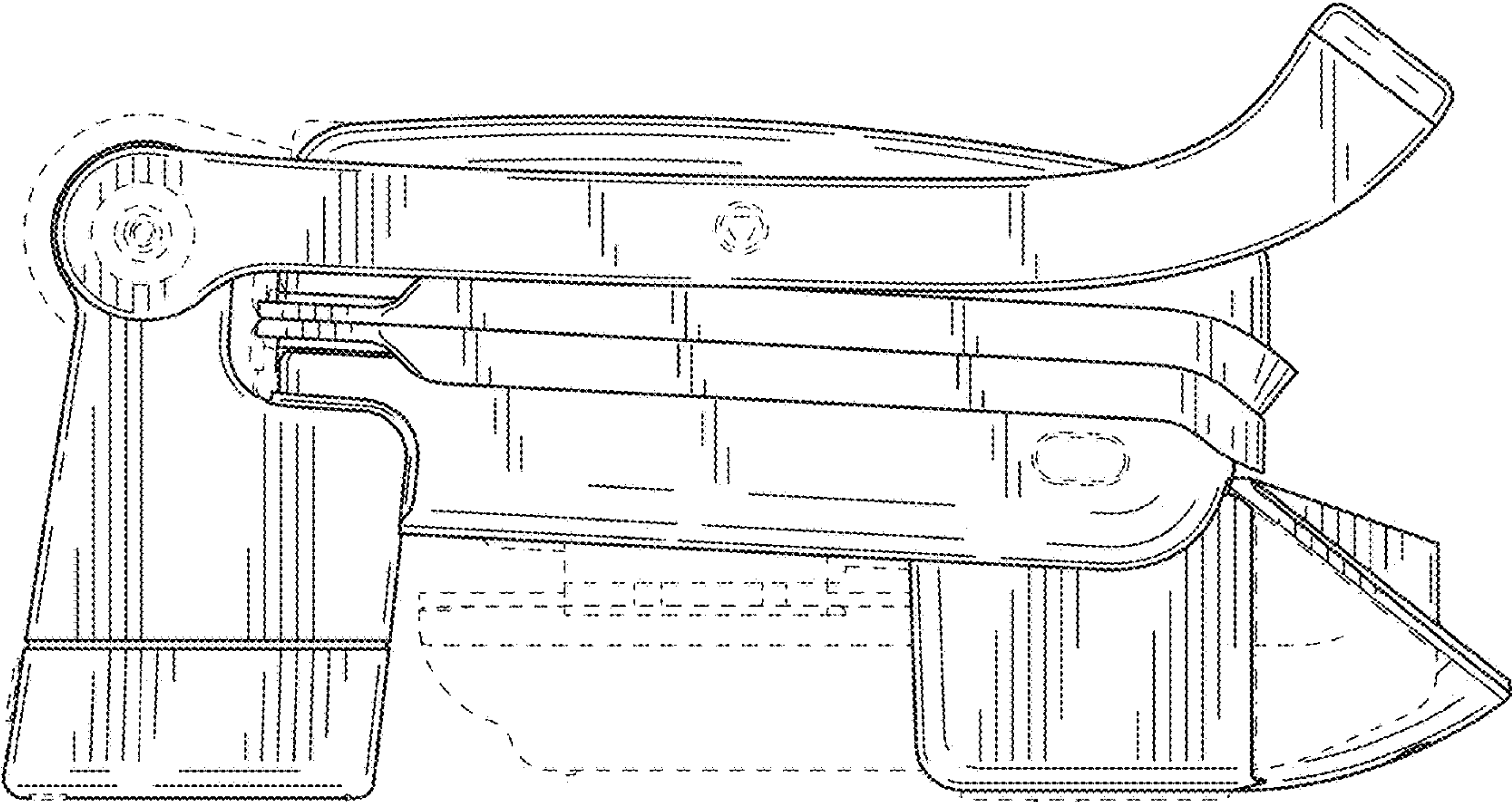


FIG. 5

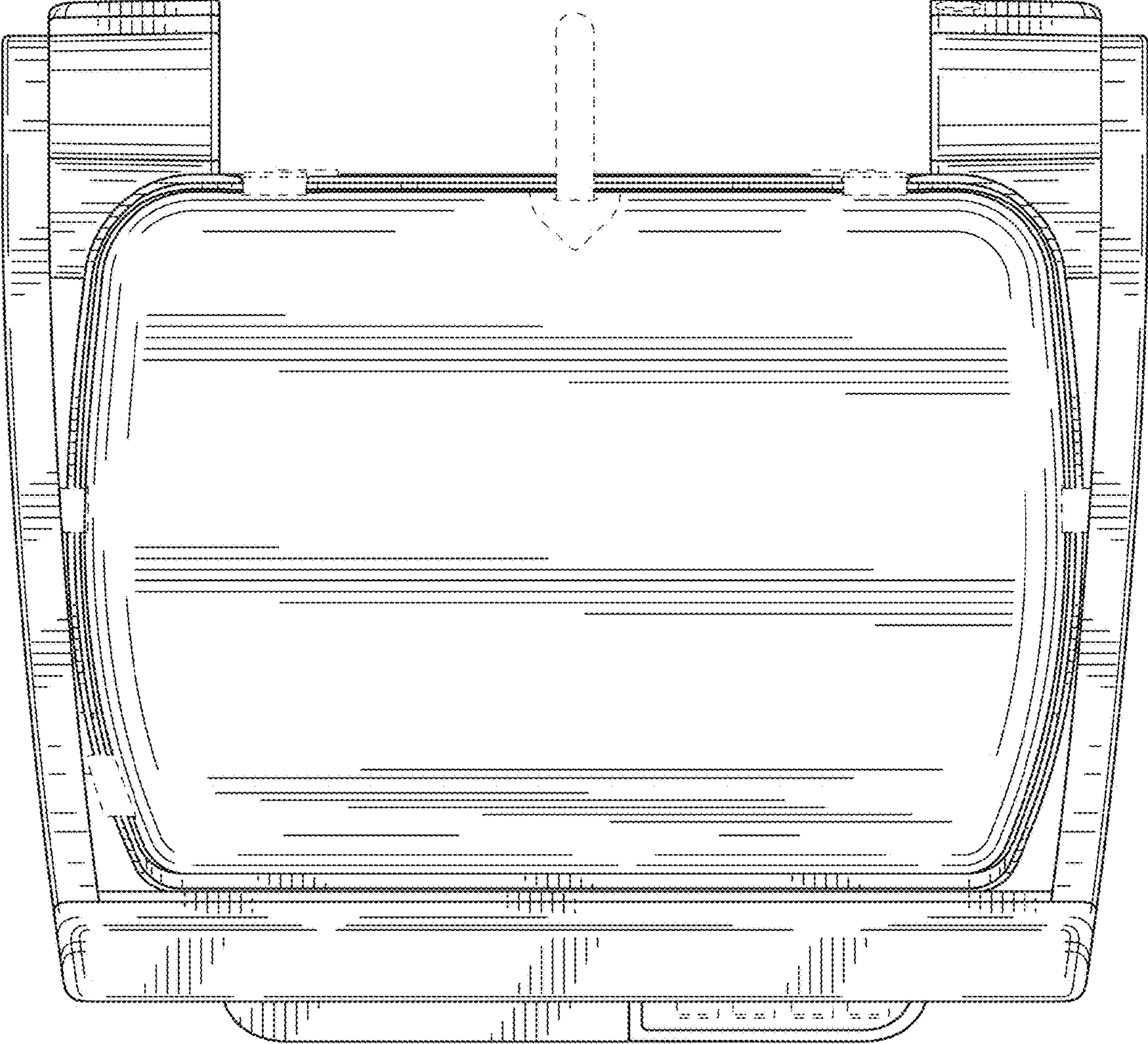


FIG. 6

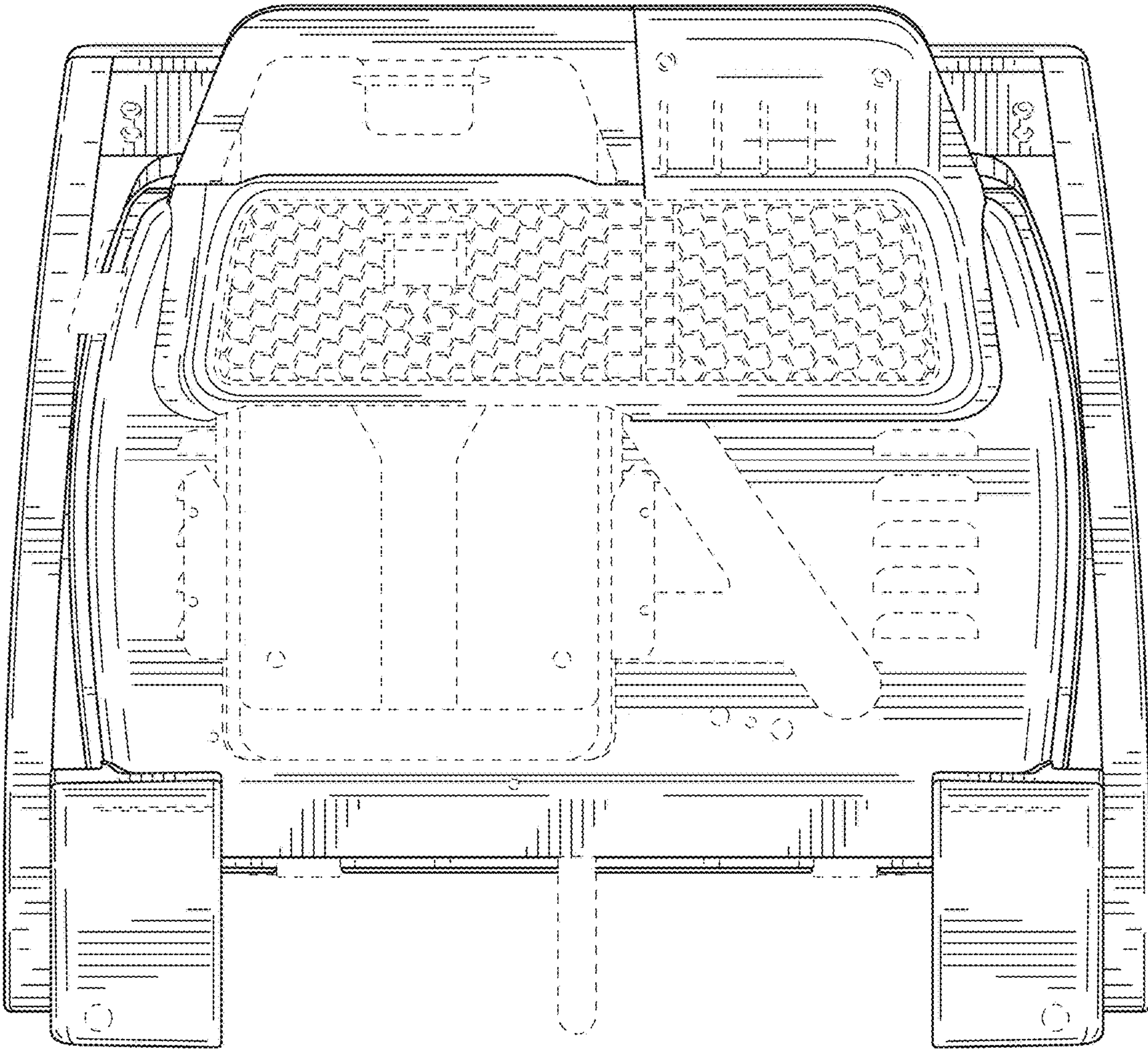


FIG. 7