



US00D831405S

(12) **United States Design Patent**  
**Carcano et al.**

(10) **Patent No.:** **US D831,405 S**

(45) **Date of Patent:** **\*\* Oct. 23, 2018**

(54) **OVEN**

(71) Applicant: **ILLINOIS TOOL WORKS INC.**,  
Glenview, IL (US)

(72) Inventors: **Marco Carcano**, Senago (IT); **Michele Sclocchi**, San Donato Milanese (IT);  
**Michele Gentile**, Jesi (IT)

(73) Assignee: **ILLINOIS TOOL WORKS INC.**,  
Glenview, IL (US)

(\*\*) Term: **15 Years**

(21) Appl. No.: **29/585,985**

(22) Filed: **Nov. 30, 2016**

(51) **LOC (11) Cl.** ..... **07-02**

(52) **U.S. Cl.**  
USPC ..... **D7/348**

(58) **Field of Classification Search**  
USPC ..... D7/323, 328-330, 339-349, 390,  
D7/402-406; D21/523-524;  
D8/300-306

CPC ... A21B 2/00; A47J 37/00; A47J 37/06; A47J  
37/0611; A47J 37/08; A47J 37/0807;  
A47J 37/0814; A47J 37/0835; A47J  
37/0842; A47J 37/085; A47J 37/0864;  
A47J 37/0878; A47J 37/0885; A47J  
37/0892; F24C 7/00; F24C 7/002; F24C  
7/046; F24C 7/067; F24C 15/04; F24C  
15/10; F24C 15/102; F24C 15/107

See application file for complete search history.

(56) **References Cited**

**U.S. PATENT DOCUMENTS**

D463,198 S \* 9/2002 Nishikawa ..... D7/351  
D521,804 S \* 5/2006 Huxhold ..... D7/405

D604,988 S \* 12/2009 Yalcin ..... D7/349  
D762,086 S \* 7/2016 Kim ..... D7/405  
D762,415 S \* 8/2016 Chung ..... D7/405  
D786,611 S \* 5/2017 Funnell, II ..... D7/348  
D787,878 S \* 5/2017 Kim ..... D7/348  
D787,879 S \* 5/2017 Kim ..... D7/348  
D794,389 S \* 8/2017 Hessen ..... D7/405  
2017/0261213 A1 \* 9/2017 Park ..... F24C 15/008

**OTHER PUBLICATIONS**

RF Energy Is Finally Cooking, posted at MWRF.com, posted on  
Dec. 18, 2017, site visited Jan. 13, 2018, <[http://www.mwrf.com/  
community/rf-energy-finally-cooking](http://www.mwrf.com/community/rf-energy-finally-cooking)>.\*

\* cited by examiner

*Primary Examiner* — Barbara Fox

*Assistant Examiner* — Messina L Smith

(74) *Attorney, Agent, or Firm* — McNair Law Firm, P.A.

(57) **CLAIM**

The ornamental design for an oven, as shown and described.

**DESCRIPTION**

FIG. 1 is a front perspective view of an oven, showing our  
new design;

FIG. 2 is a front perspective view of the oven of FIG. 1 with  
the door open;

FIG. 3 is a rear perspective view of the oven of FIG. 1;

FIG. 4 is a front view of the oven of FIG. 1;

FIG. 5 is a back view of the oven of FIG. 1;

FIG. 6 is a left side view of the oven of FIG. 1;

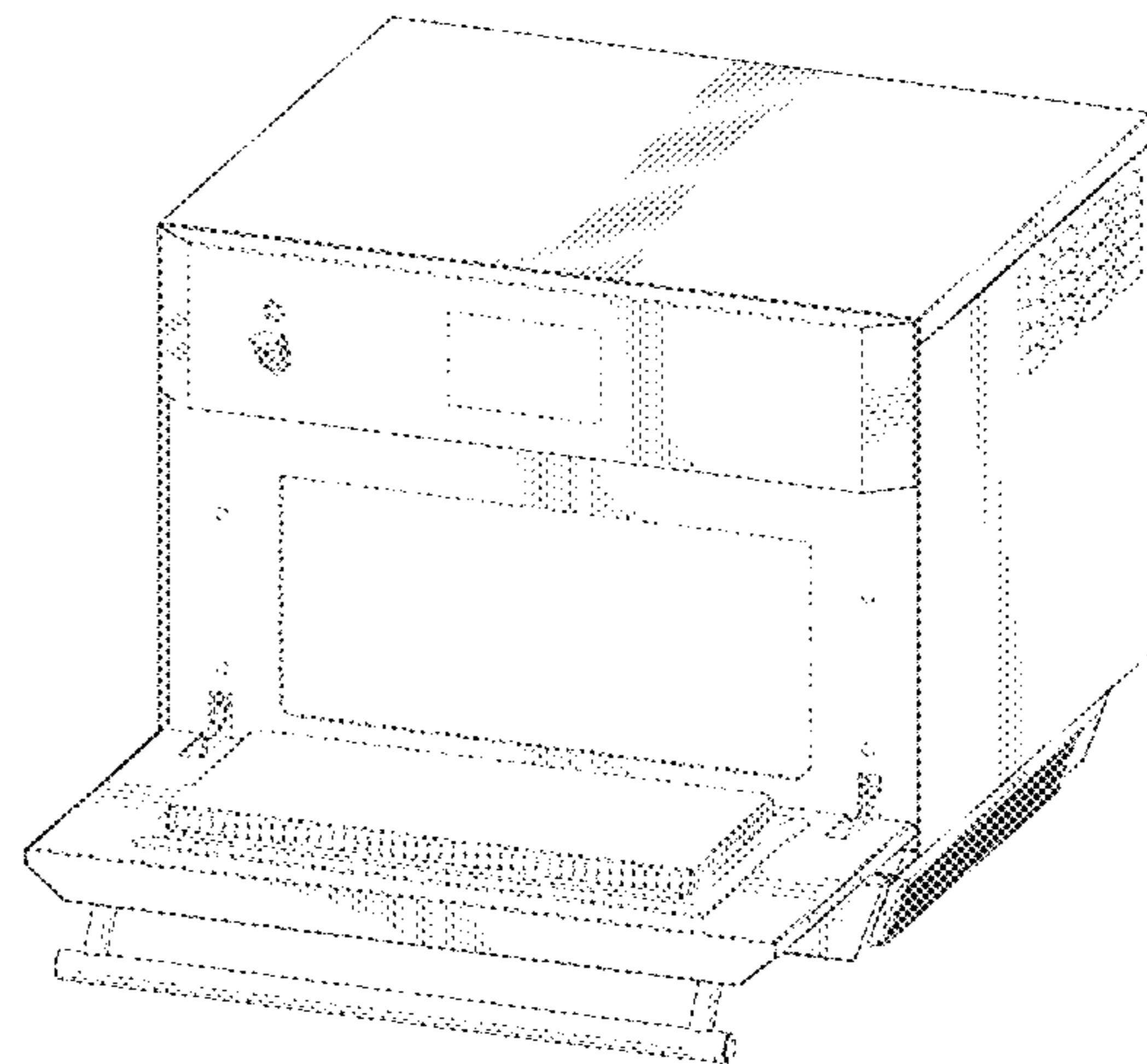
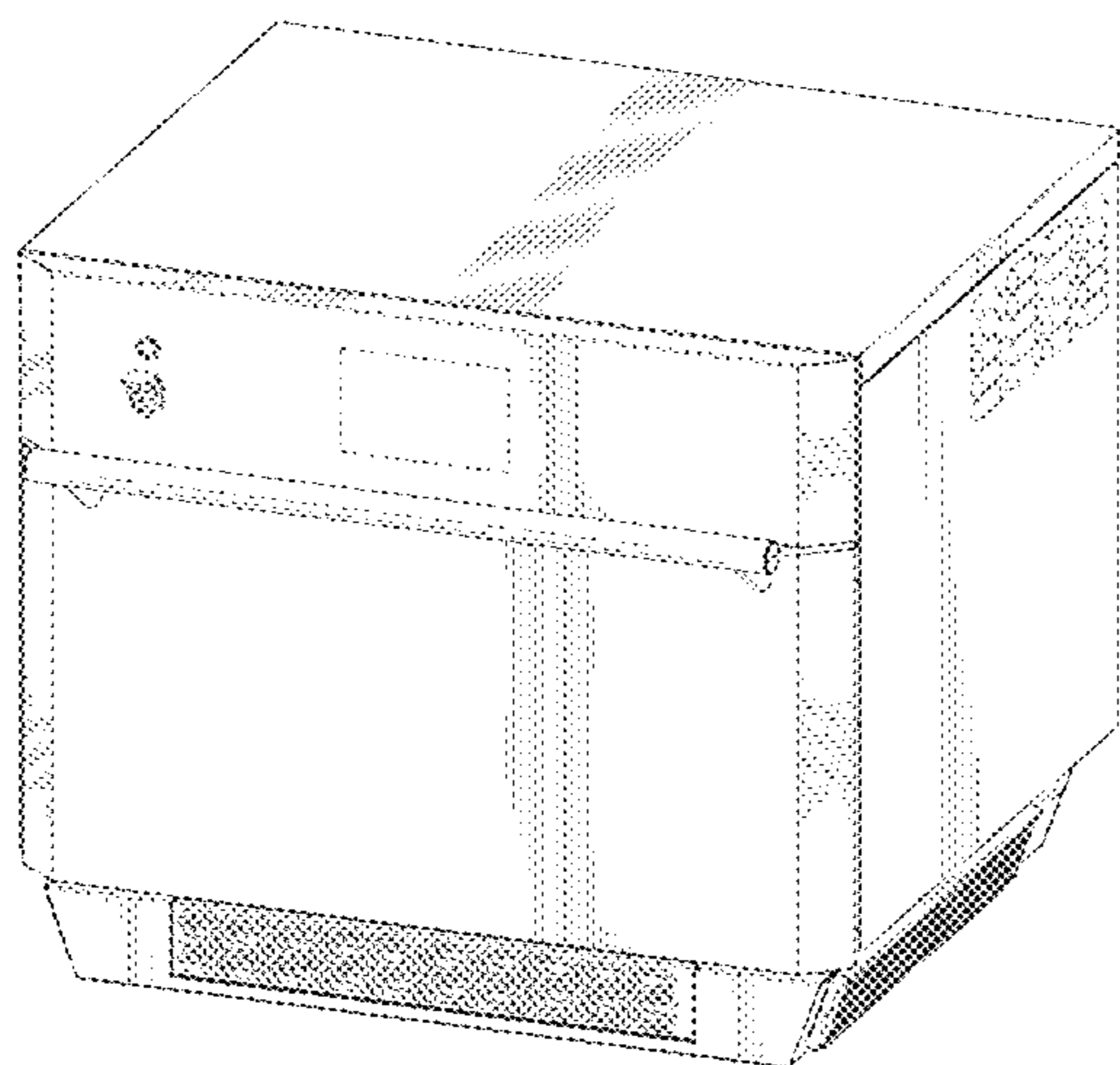
FIG. 7 is a right side view of the oven of FIG. 1;

FIG. 8 is a top view of the oven of FIG. 1; and,

FIG. 9 is a bottom view of the oven of FIG. 1.

The broken lines in the drawings depict portions of the oven  
that form no part of the claimed design.

**1 Claim, 9 Drawing Sheets**



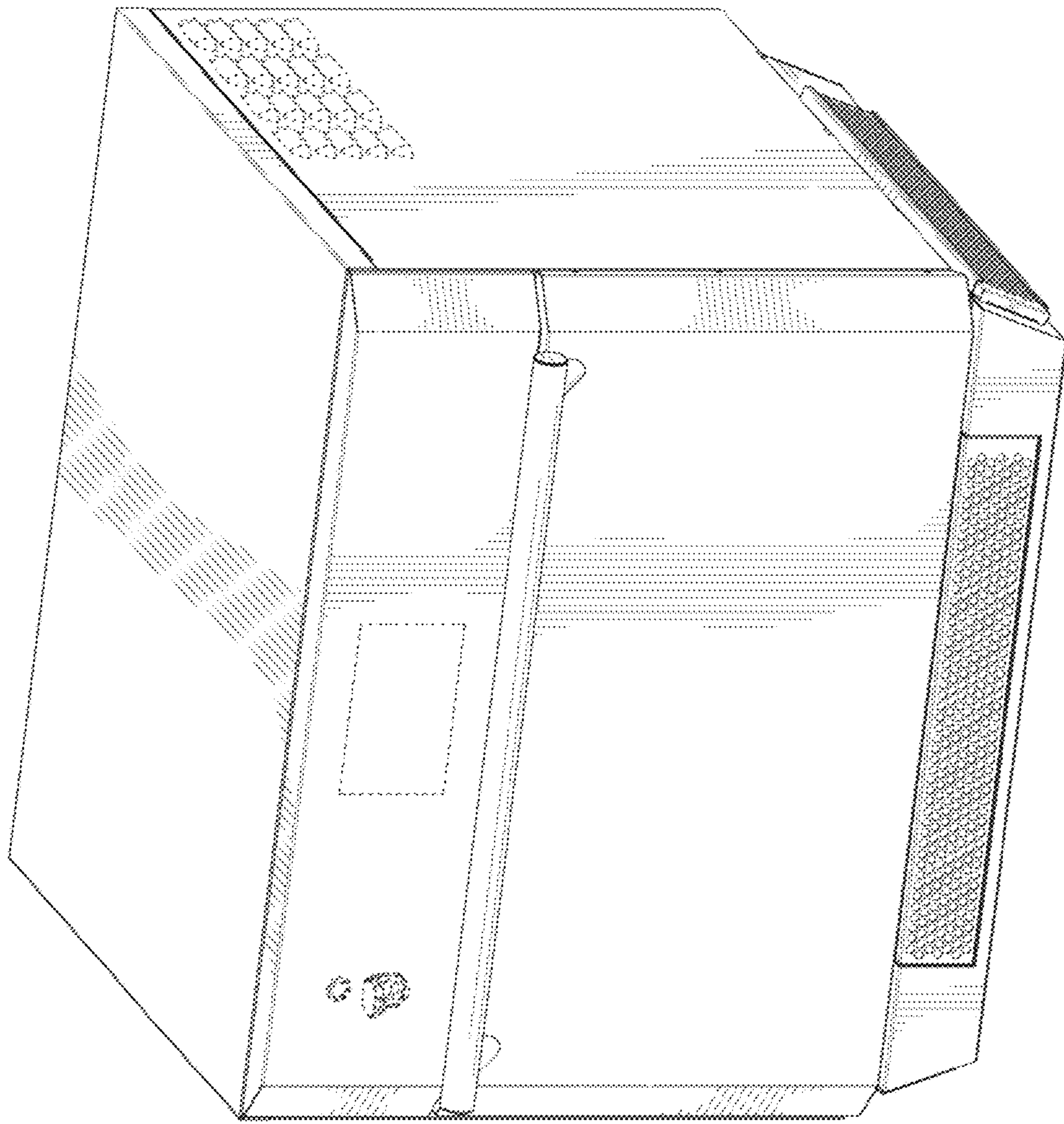


FIG. 1

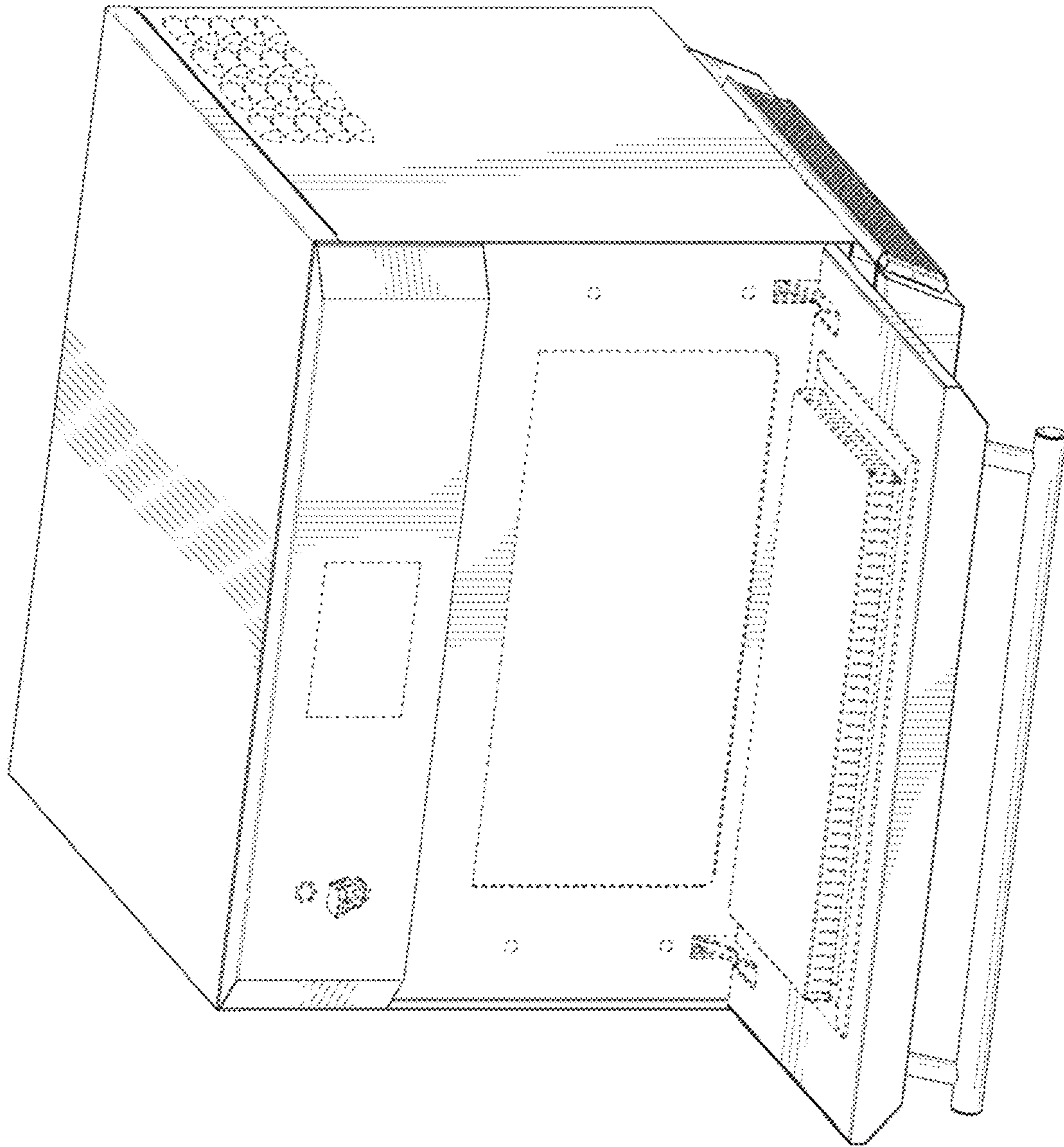


FIG. 2



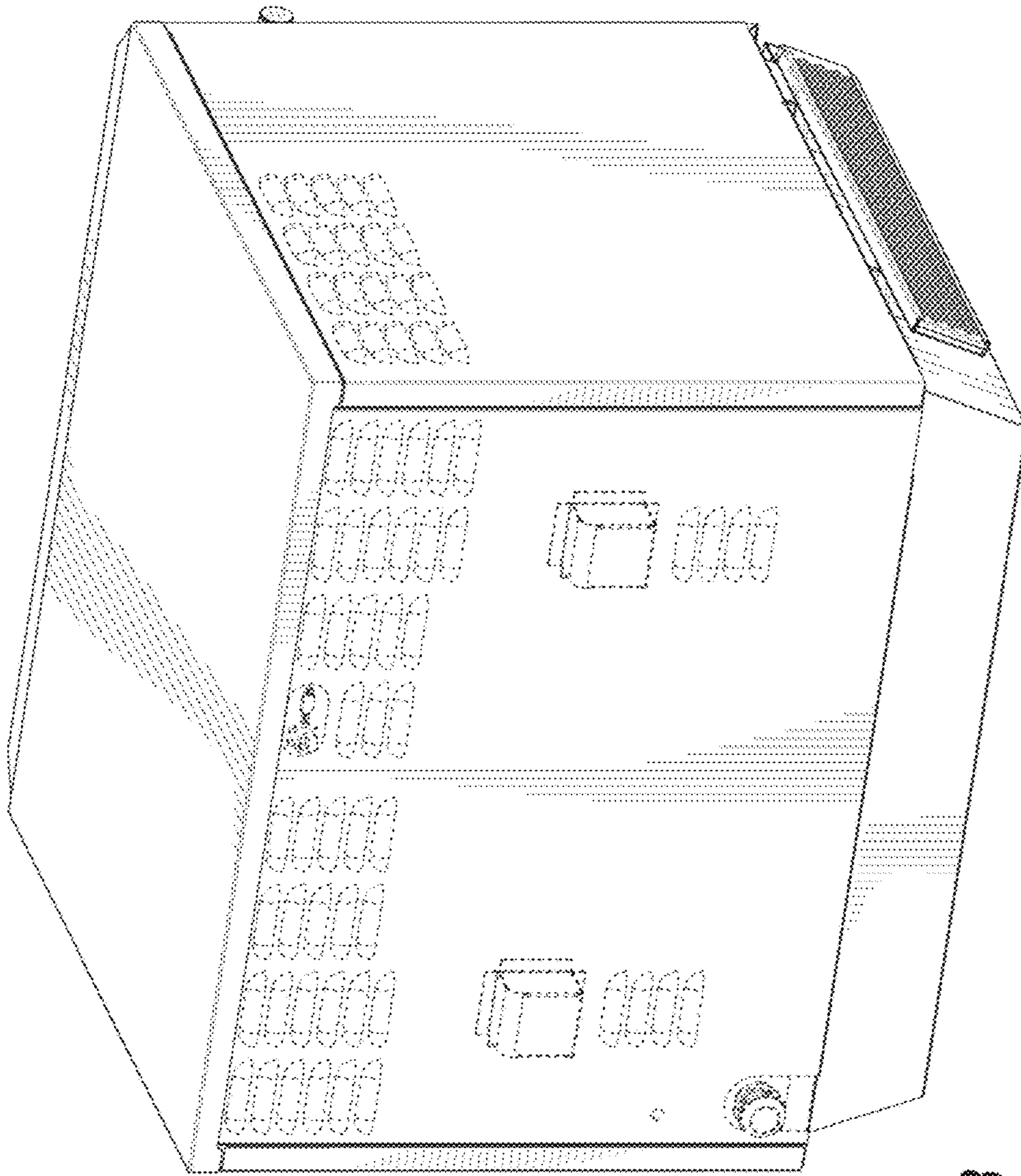


FIG. 3

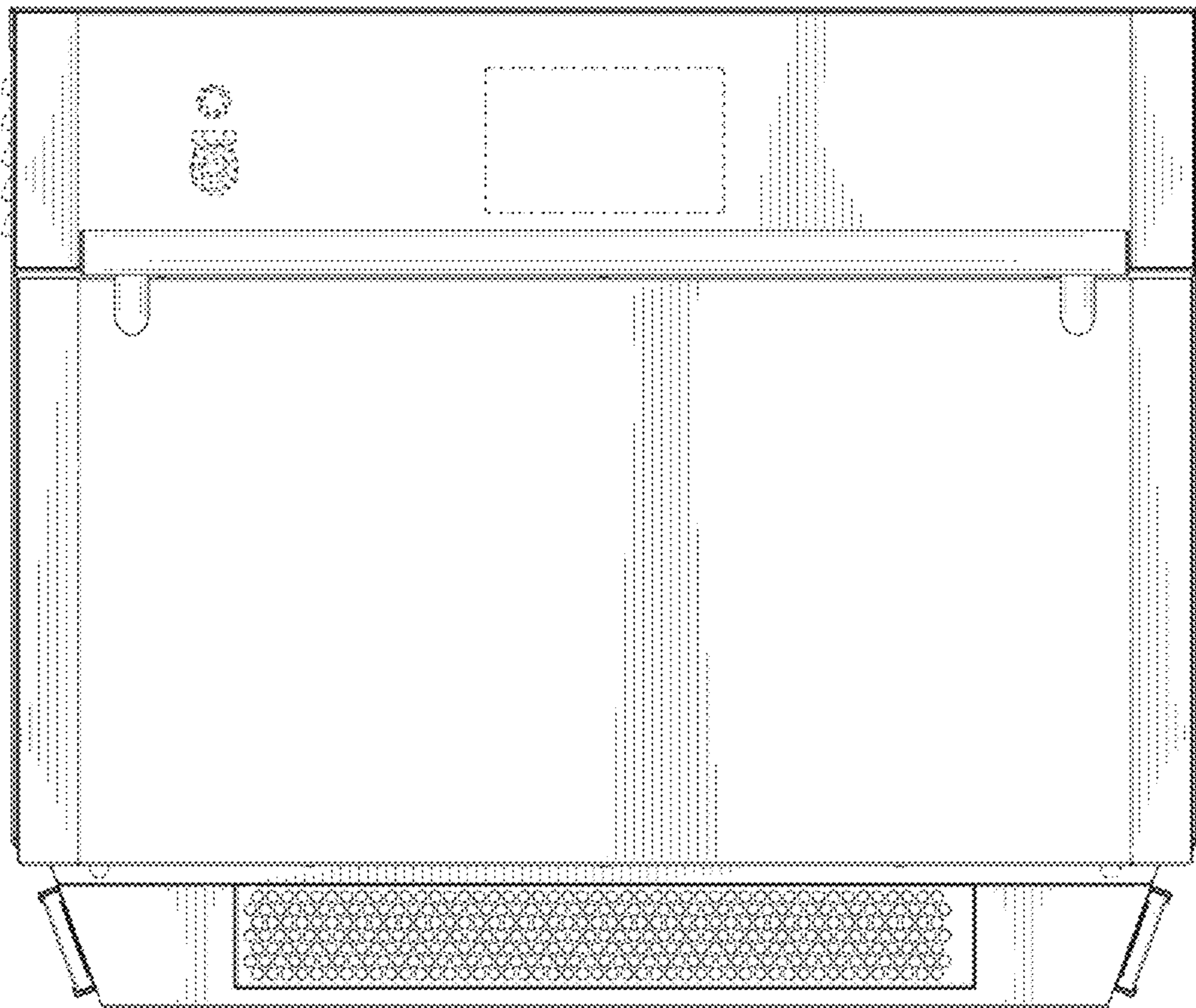


FIG. 4

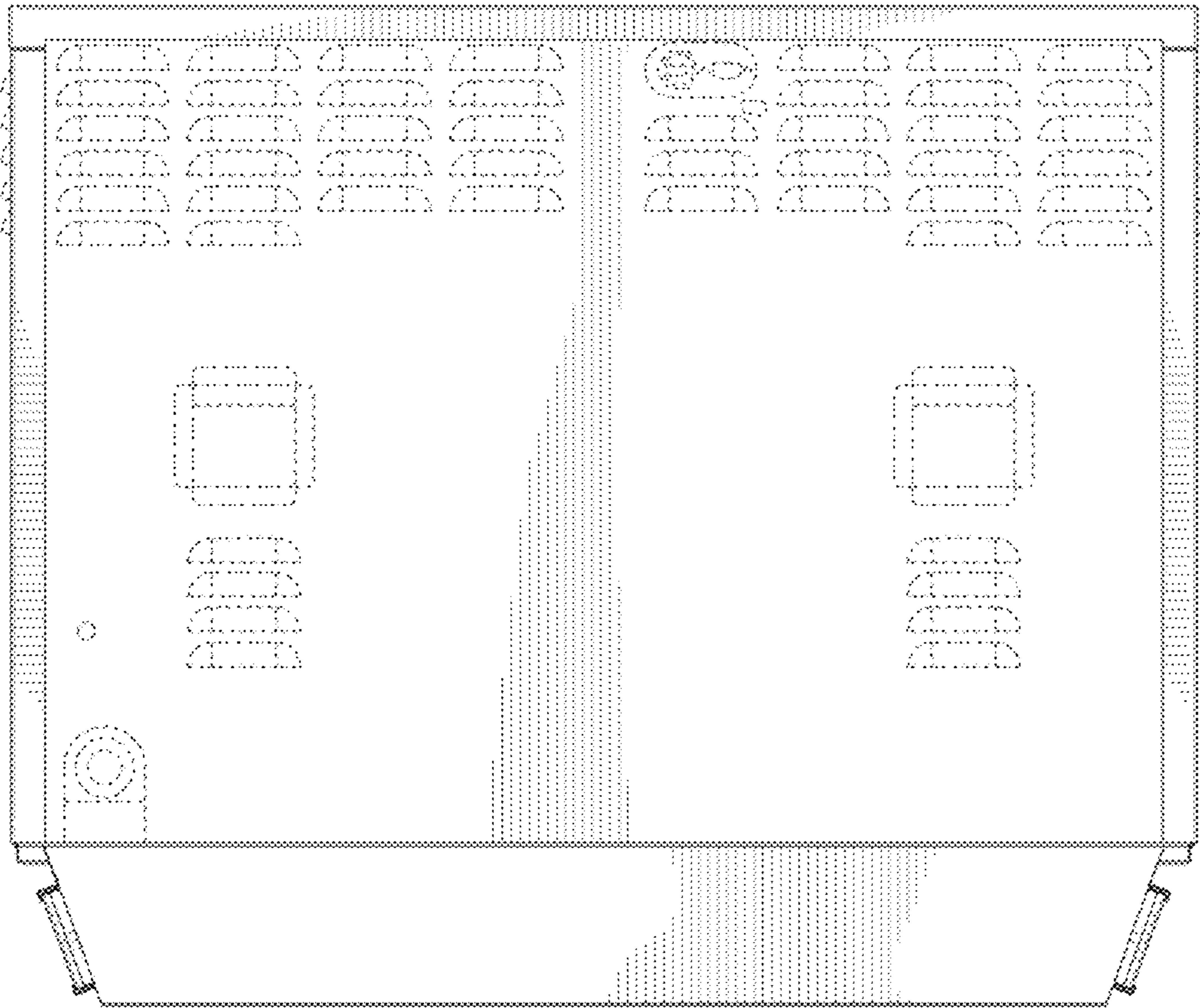


FIG. 5

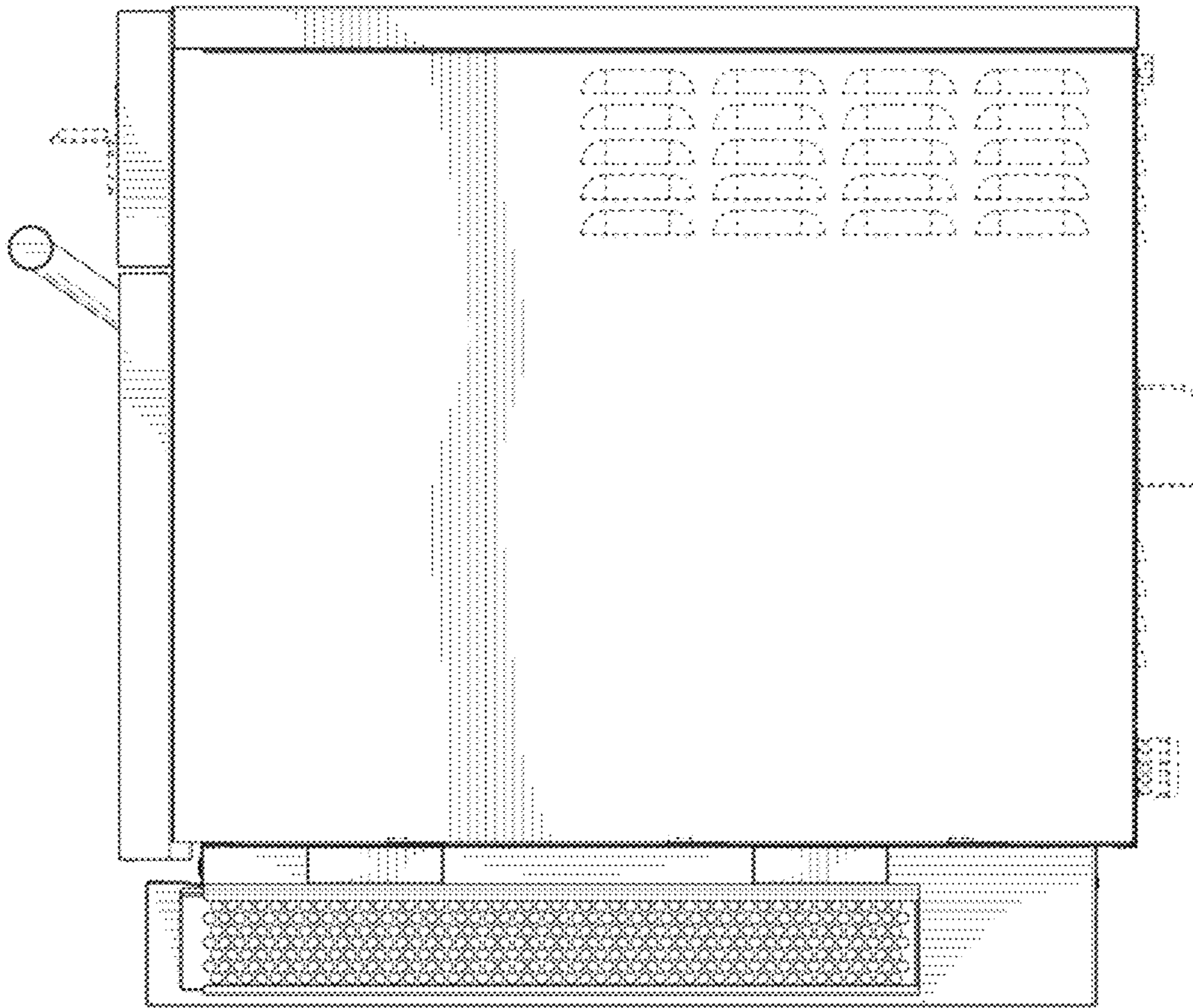


FIG. 6



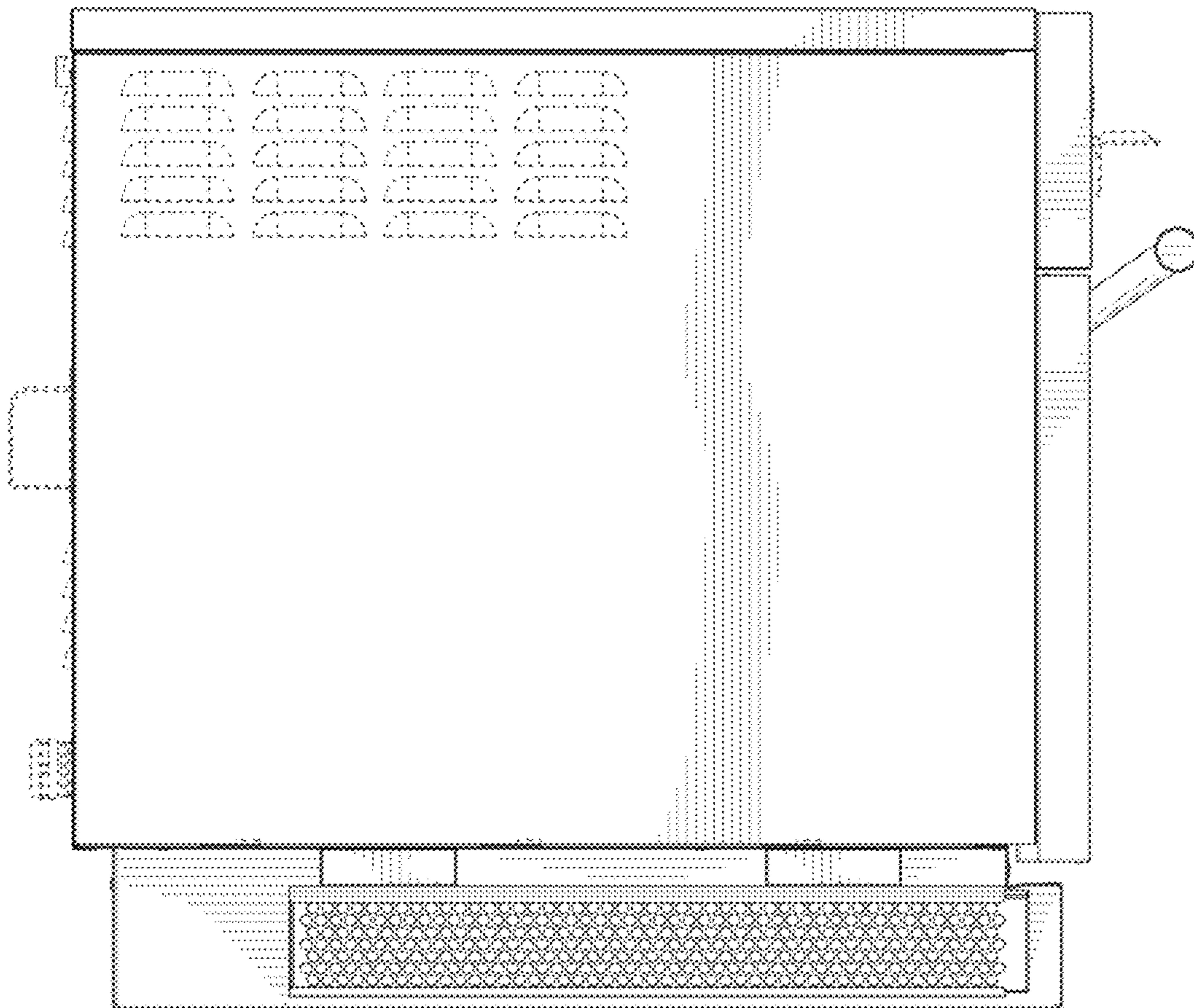


FIG. 7



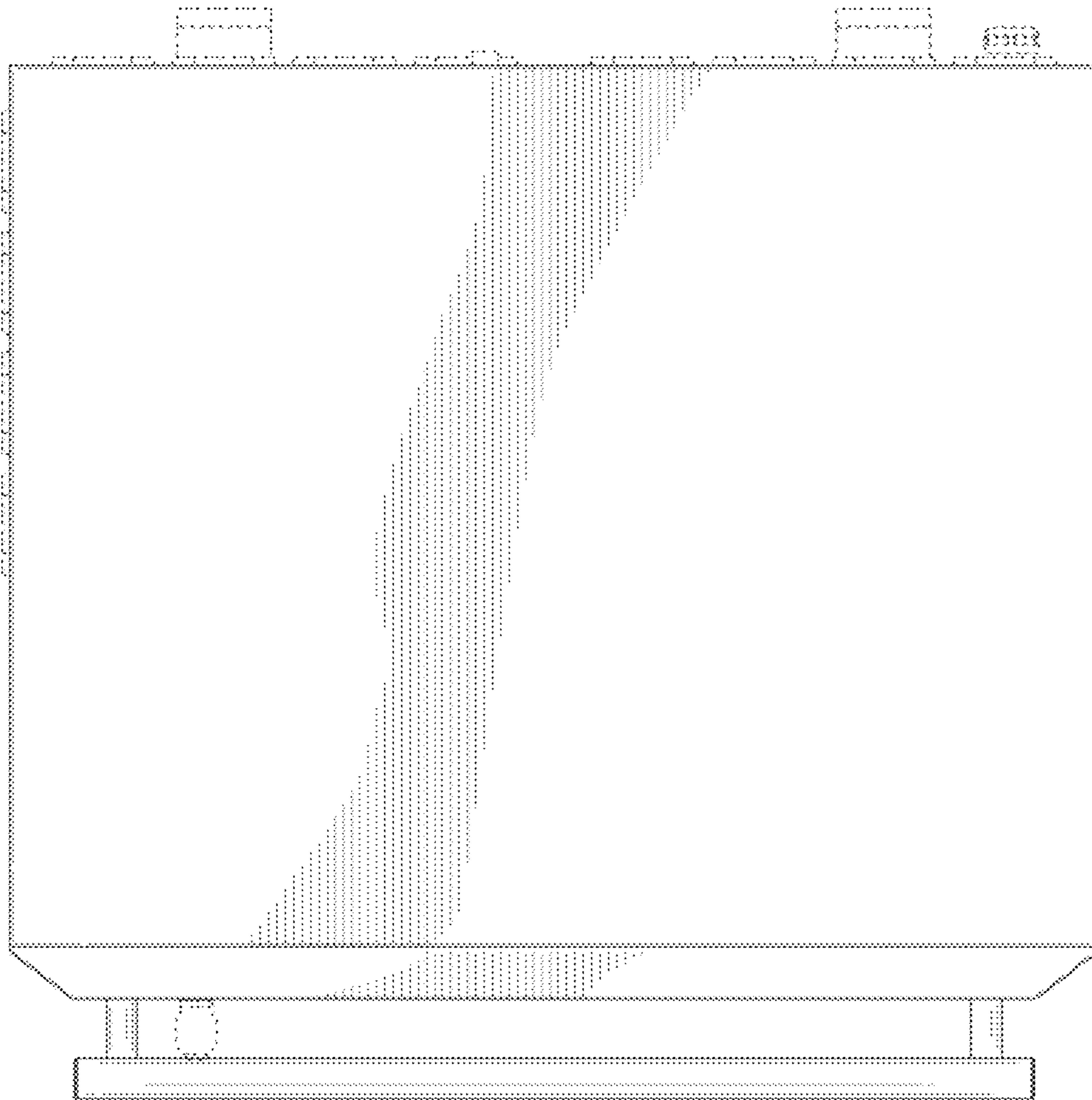


FIG. 8

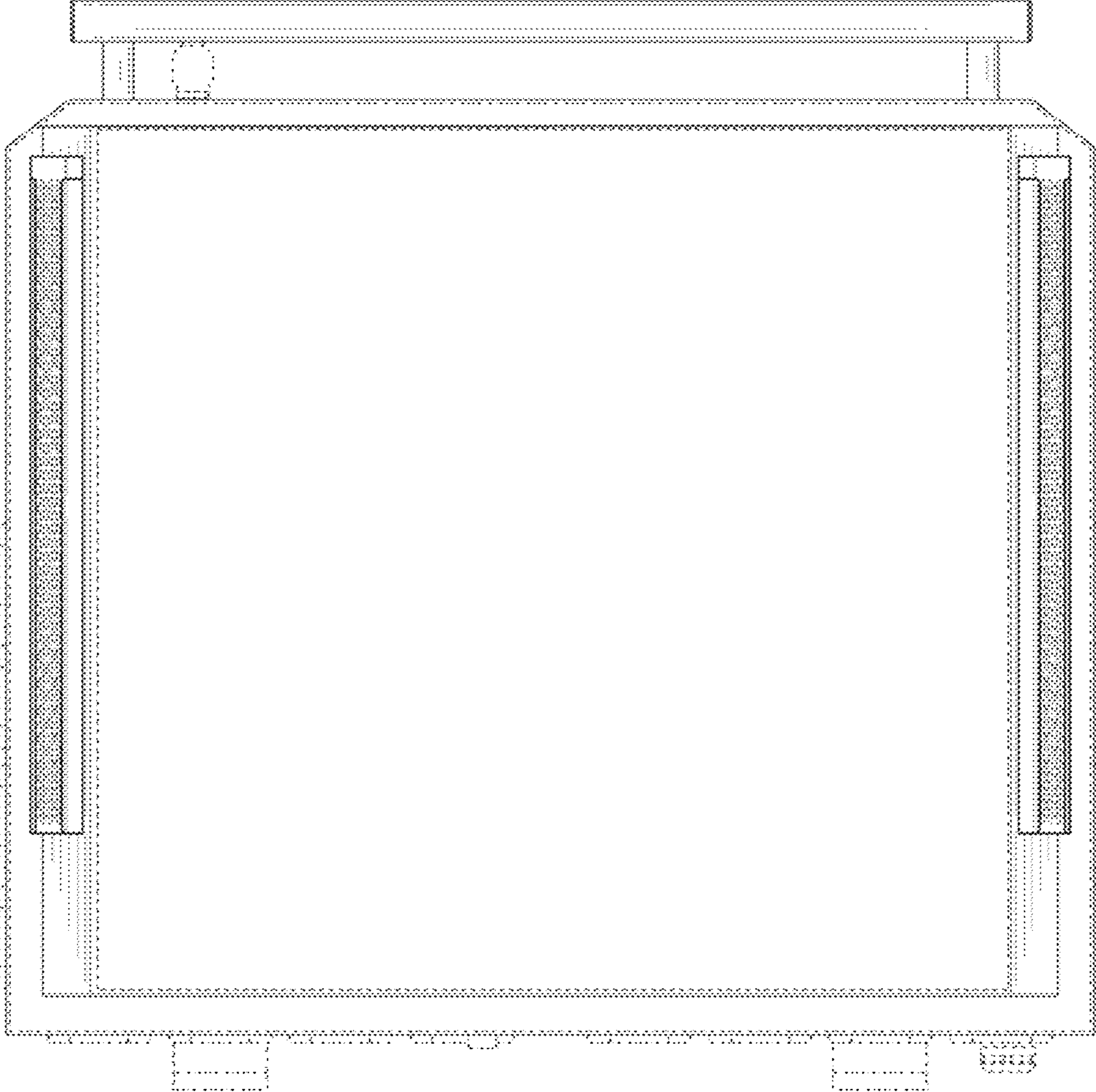


FIG. 9