



US00D831403S

(12) **United States Design Patent** (10) **Patent No.:** **US D831,403 S**
Morelock et al. (45) **Date of Patent:** **** Oct. 23, 2018**

(54) **BARBECUE GRILL**

Primary Examiner — Susan Bennett Hattan
Assistant Examiner — Suzanne E Tisdell

(71) Applicant: **Portable Kitchens, Inc.**, Little Rock, AR (US)

(57) **CLAIM**

The ornamental design of a barbecue grill, as shown.

(72) Inventors: **David Morelock**, Escondido, CA (US);
Brian Taylor, Little Rock, AR (US);
Jeff Humiston, Little Rock, AR (US);
Scott Moody, Little Rock, AR (US);
Paul James, Little Rock, AR (US);
Martha James, Little Rock, AR (US)

DESCRIPTION

(73) Assignee: **Portable Kitchens, Inc.**, Little Rock, AR (US)

FIG. 1 is a perspective view of the barbecue grill with removable side shelves attached.

FIG. 2 is a front view of the barbecue grill with removable side shelves attached.

FIG. 3 is a right side view of the barbecue grill with removable side shelves attached.

FIG. 4 is a rear view of the barbecue grill with removable side shelves attached.

FIG. 5 is a left side view of the barbecue grill with removable side shelves attached.

FIG. 6 is a top view of the barbecue grill with removable side shelves attached.

FIG. 7 is a bottom view of the barbecue grill with removable side shelves attached.

FIG. 8 is a perspective view of the barbecue grill without removable side shelves attached.

FIG. 9 is a front view of the barbecue grill without removable side shelves attached.

FIG. 10 is a right side view of the barbecue grill without removable side shelves attached.

FIG. 11 is a rear view of the barbecue grill without removable side shelves attached.

FIG. 12 is a left side view of the barbecue grill without removable side shelves attached.

FIG. 13 is a top view of the barbecue grill without removable side shelves attached; and,

FIG. 14 is a bottom view of the barbecue grill without removable side shelves attached.

The invention pertains to an ornamental design for an article of manufacture, which can be scaled to different sizes. The invention is shown with and without removable side shelves.

(**) Term: **15 Years**

(21) Appl. No.: **29/605,534**

(22) Filed: **May 26, 2017**

Related U.S. Application Data

(62) Division of application No. 29/557,346, filed on Mar. 8, 2016, now Pat. No. Des. 796,249.

(51) **LOC (11) Cl.** **07-02**

(52) **U.S. Cl.**
USPC **D7/334**

(58) **Field of Classification Search**
USPC D7/213, 323, 324, 325, 326, 327, 328,
D7/329, 330, 331, 332, 333, 334, 335,
D7/336, 337, 402, 404, 405, 406, 407
(Continued)

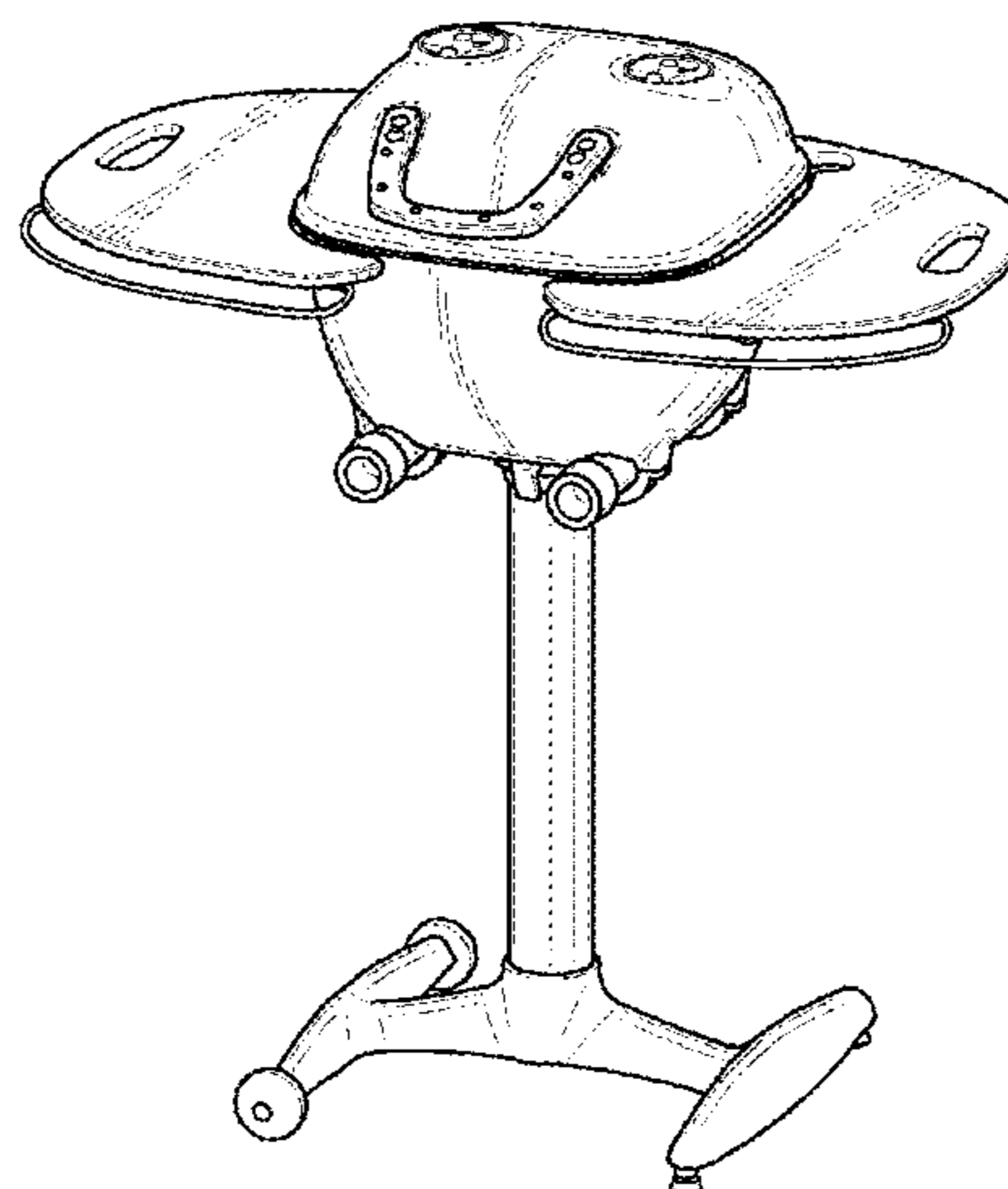
(56) **References Cited**

U.S. PATENT DOCUMENTS

2,194,852 A *	3/1940	Gundelfinger et al.	A23L 7/187
				99/323.8
5,025,715 A *	6/1991	Sir	A47J 33/00
				126/30

(Continued)

1 Claim, 12 Drawing Sheets



US D831,403 S

Page 2

(58) **Field of Classification Search**

CPC G05D 7/00; F24C 5/00; F24C 5/20; F24C
3/00; F24C 3/10; F24C 3/12; F24C
15/06; F24C 15/10; F24C 15/16; F24C
15/20; F24B 3/00; F23N 5/22; B60H
3/00; B32B 15/04; A62C 3/00; A47J
43/18

See application file for complete search history.

(56) **References Cited**

U.S. PATENT DOCUMENTS

5,165,328 A * 11/1992 Erickson A47J 37/015
126/21 A
5,176,124 A * 1/1993 Wrasse A47J 37/0704
126/25 R
5,235,906 A * 8/1993 Hsu F26B 9/003
126/21 A
5,529,053 A * 6/1996 Carter A47J 37/0704
126/25 R
5,944,009 A * 8/1999 Scheller A47J 33/00
126/25 R
D417,362 S * 12/1999 Ting D7/332
D426,419 S * 6/2000 Kuo D7/334
6,868,849 B1 * 3/2005 Endres A47J 37/0763
126/25 A

D596,892 S * 7/2009 Vanderminde D6/686
D671,362 S * 11/2012 Simms, II D7/406
D717,093 S * 11/2014 Chang D7/334
D718,082 S * 11/2014 Chung D7/335
D718,570 S * 12/2014 Chiang D7/337
D723,320 S * 3/2015 Rooney D7/325
D730,104 S * 5/2015 Stredney D7/337
D755,557 S * 5/2016 Stout D7/332
D758,122 S * 6/2016 Simpson B65D 43/0212
D762,409 S * 8/2016 Fisher D7/337
D766,419 S * 9/2016 Merritt D23/374
D770,833 S * 11/2016 Lira-Nunez D7/332
D773,229 S * 12/2016 Jaggard D7/334
2010/0024661 A1 * 2/2010 Wu A47J 37/041
99/339
2010/0116262 A1 * 5/2010 Voges A47J 37/04
126/25 R
2010/0252020 A1 * 10/2010 Siow A47J 37/0713
126/25 R
2015/0196163 A1 * 7/2015 Robles A47J 33/00
126/25 R
2015/0285507 A1 * 10/2015 Troyer, Jr. F24B 1/182
126/30
2016/0051087 A1 * 2/2016 Nguyen A47J 37/067
99/445

* cited by examiner

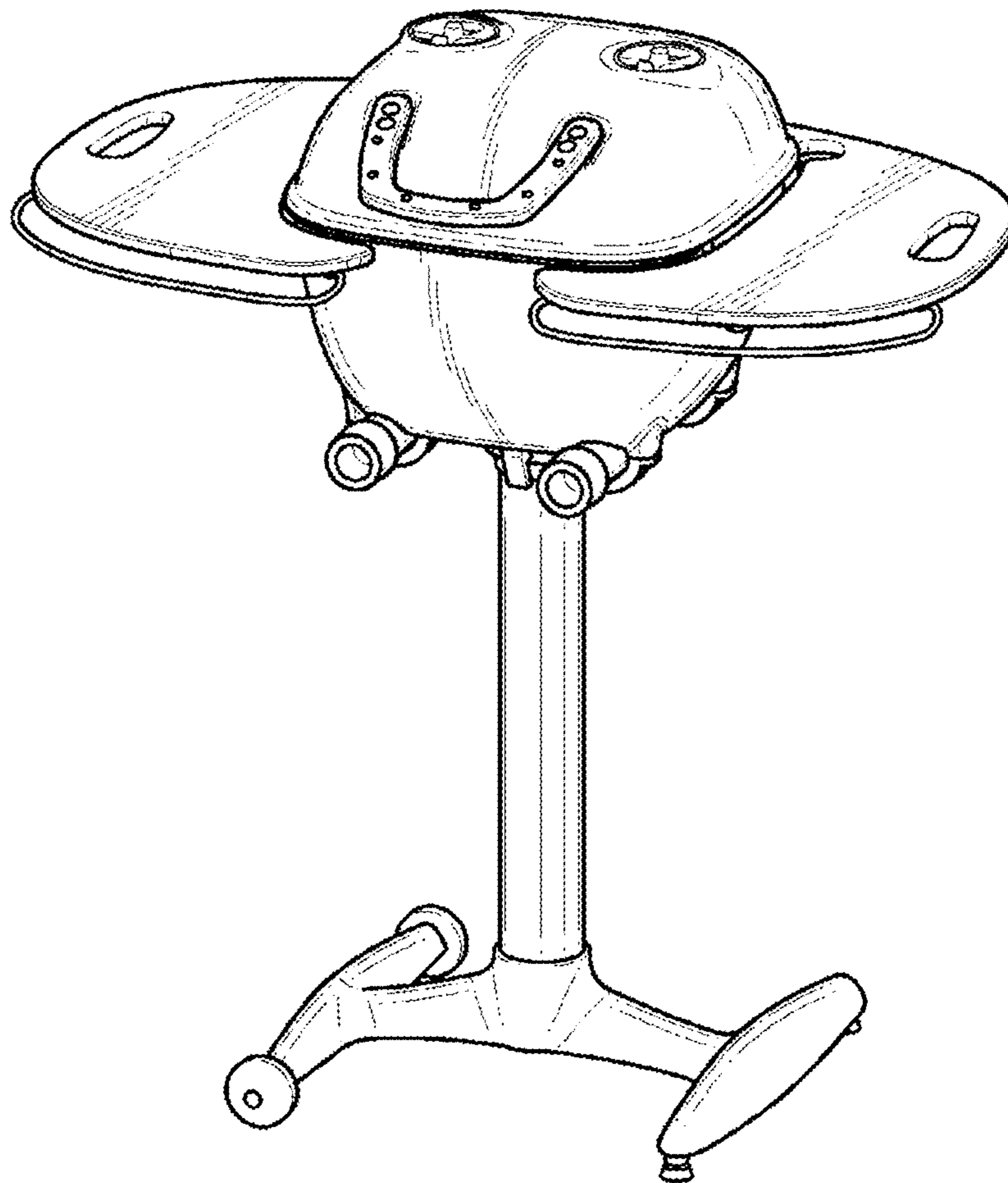


Fig. 1

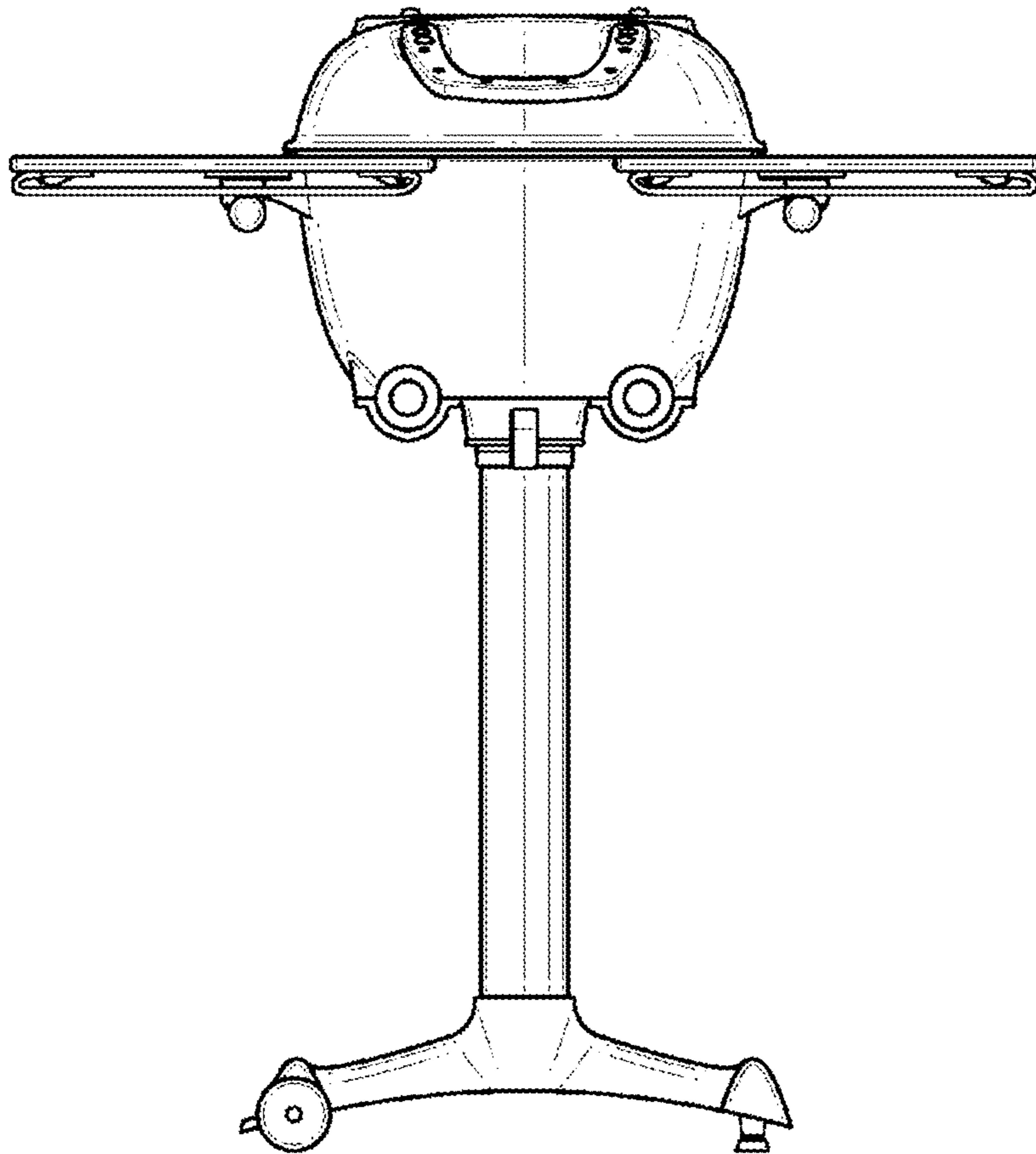


Fig. 2

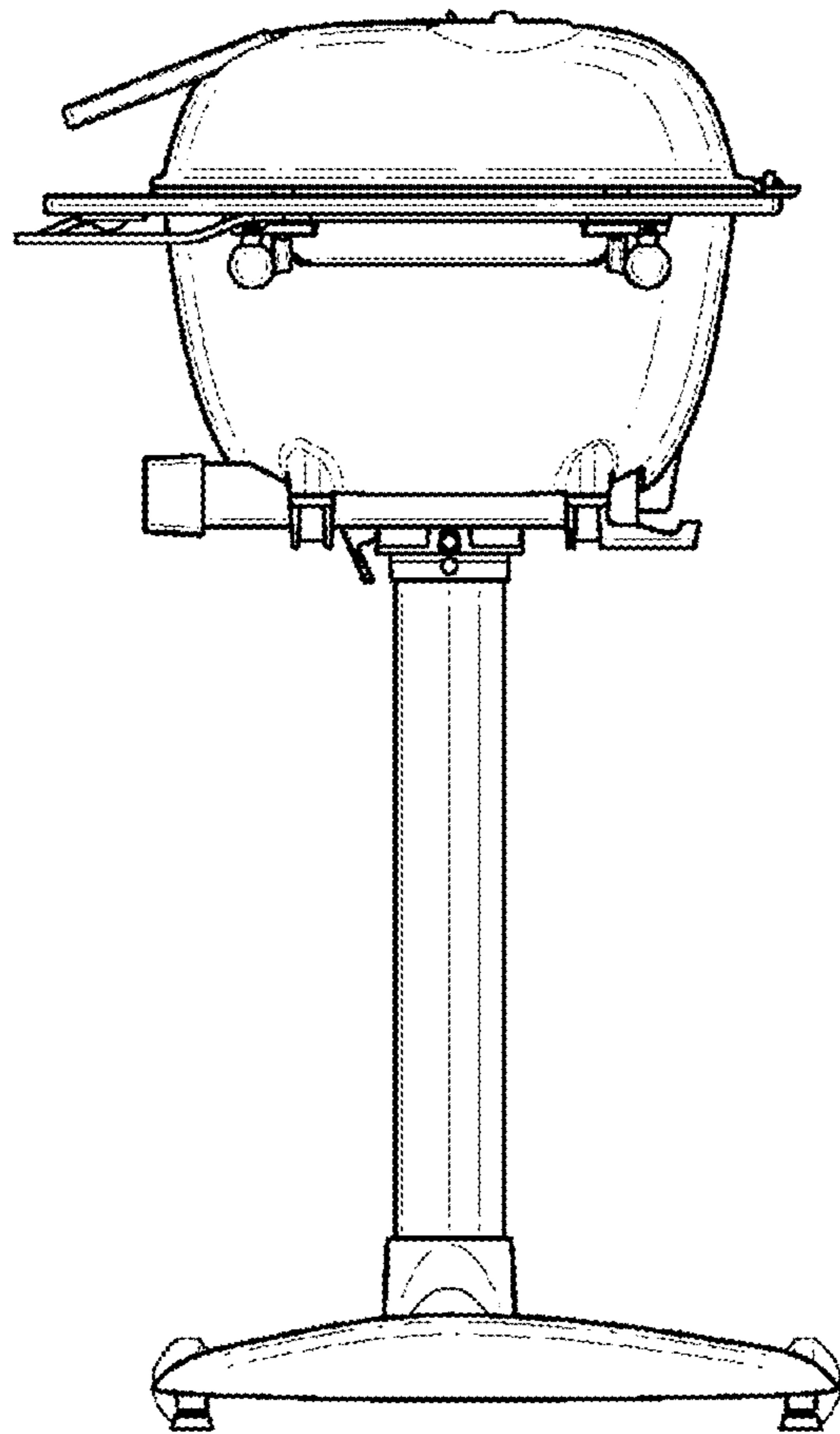


Fig. 3

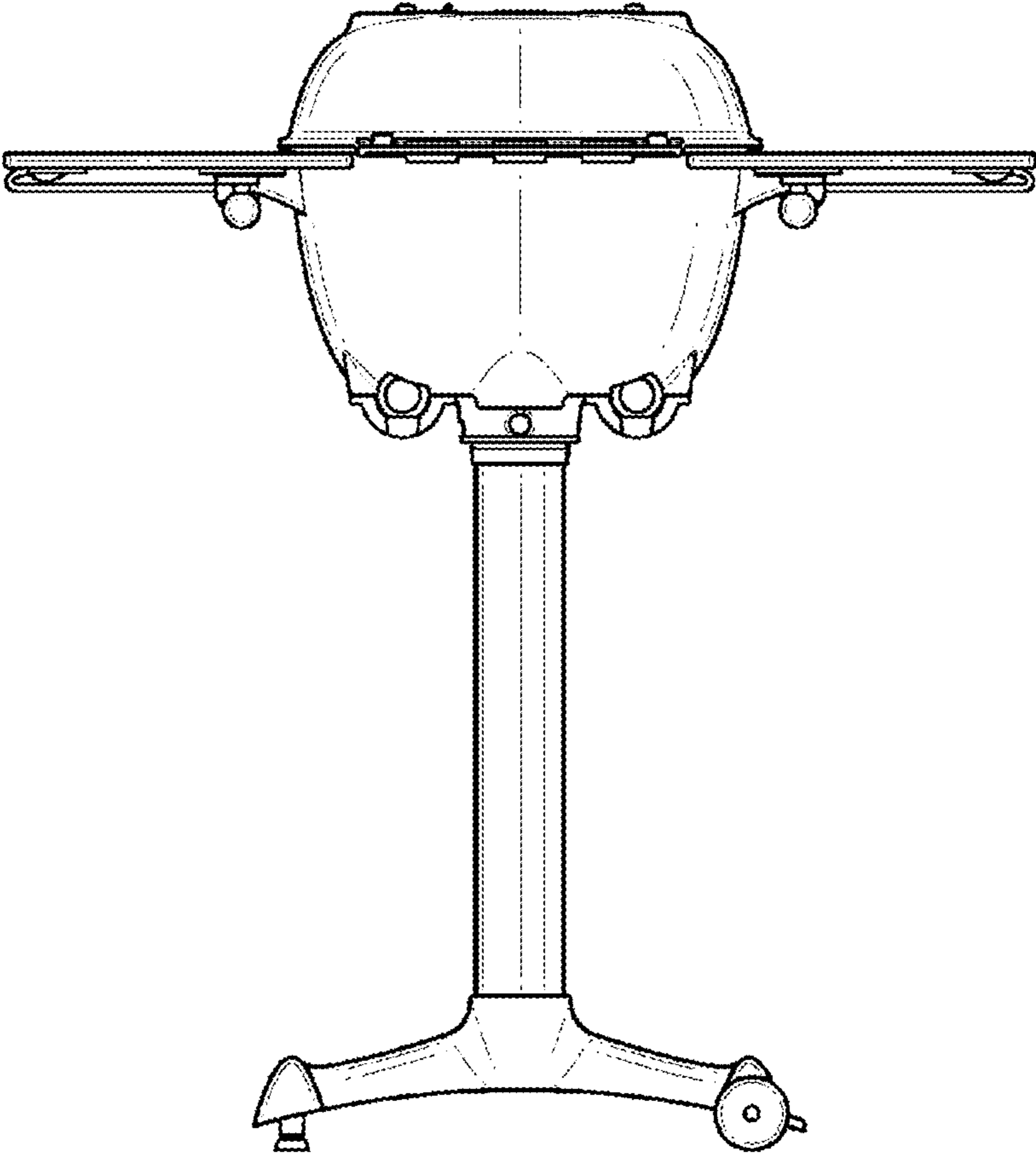


Fig. 4

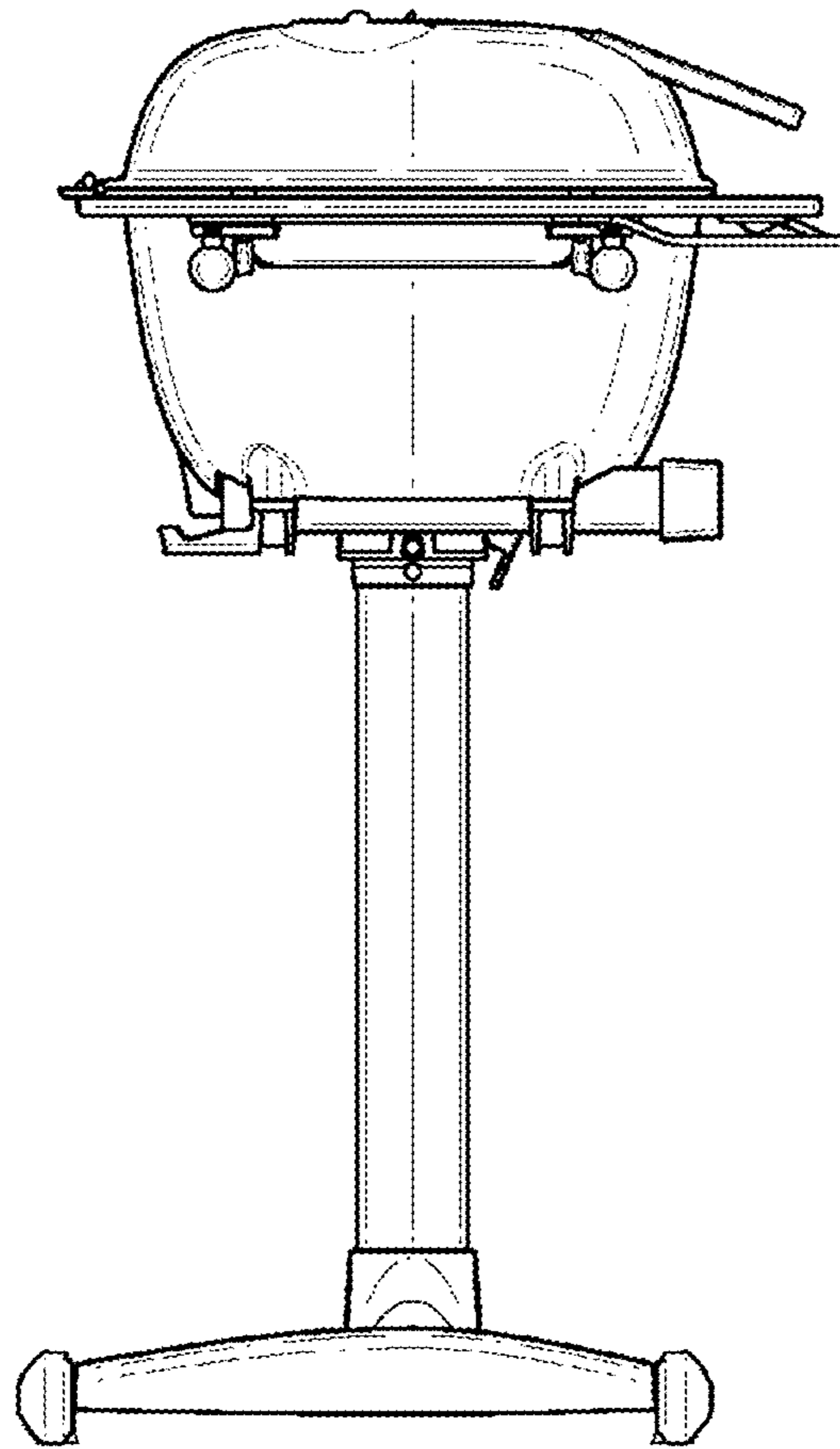


Fig. 5

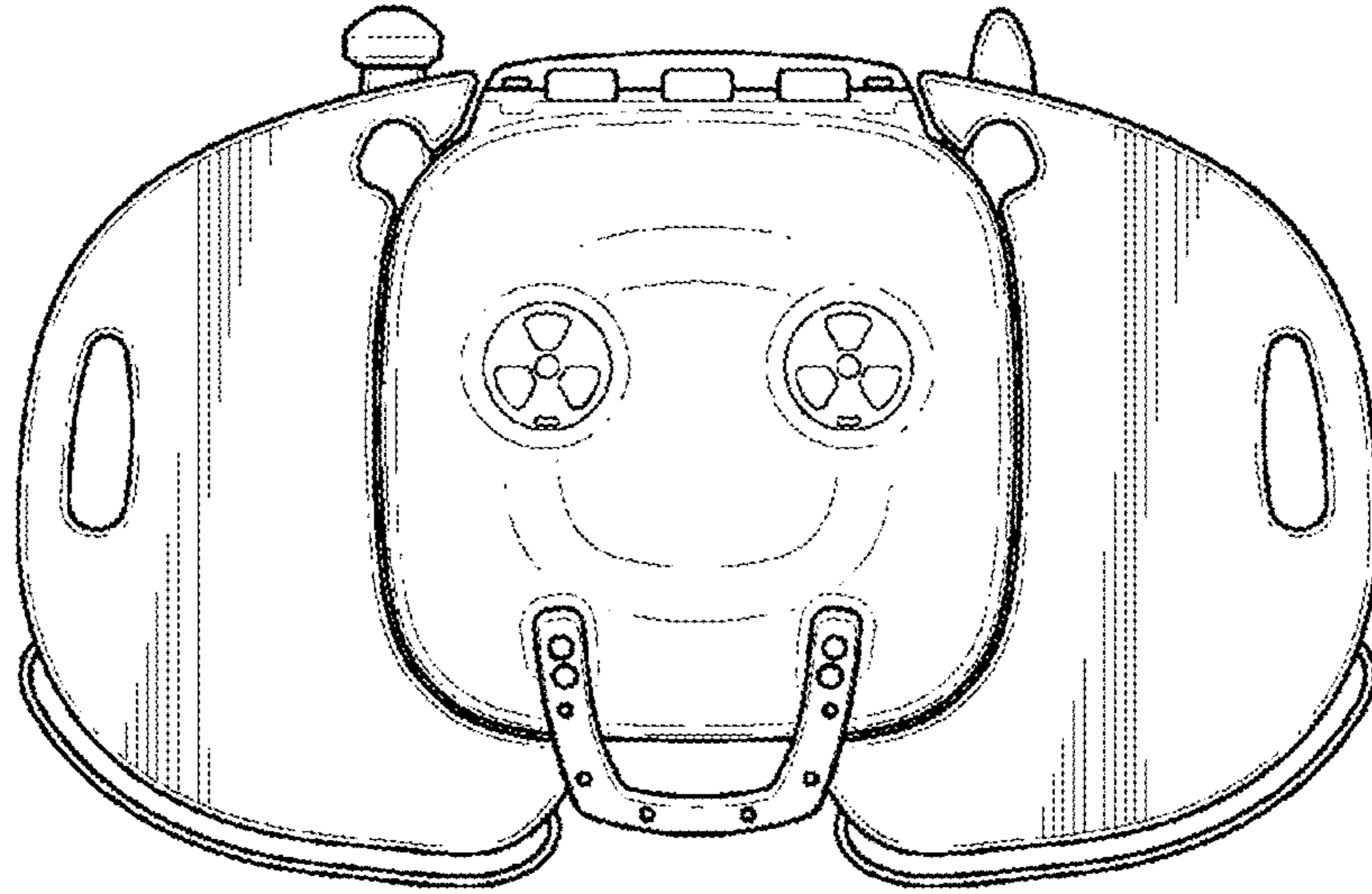


Fig. 6

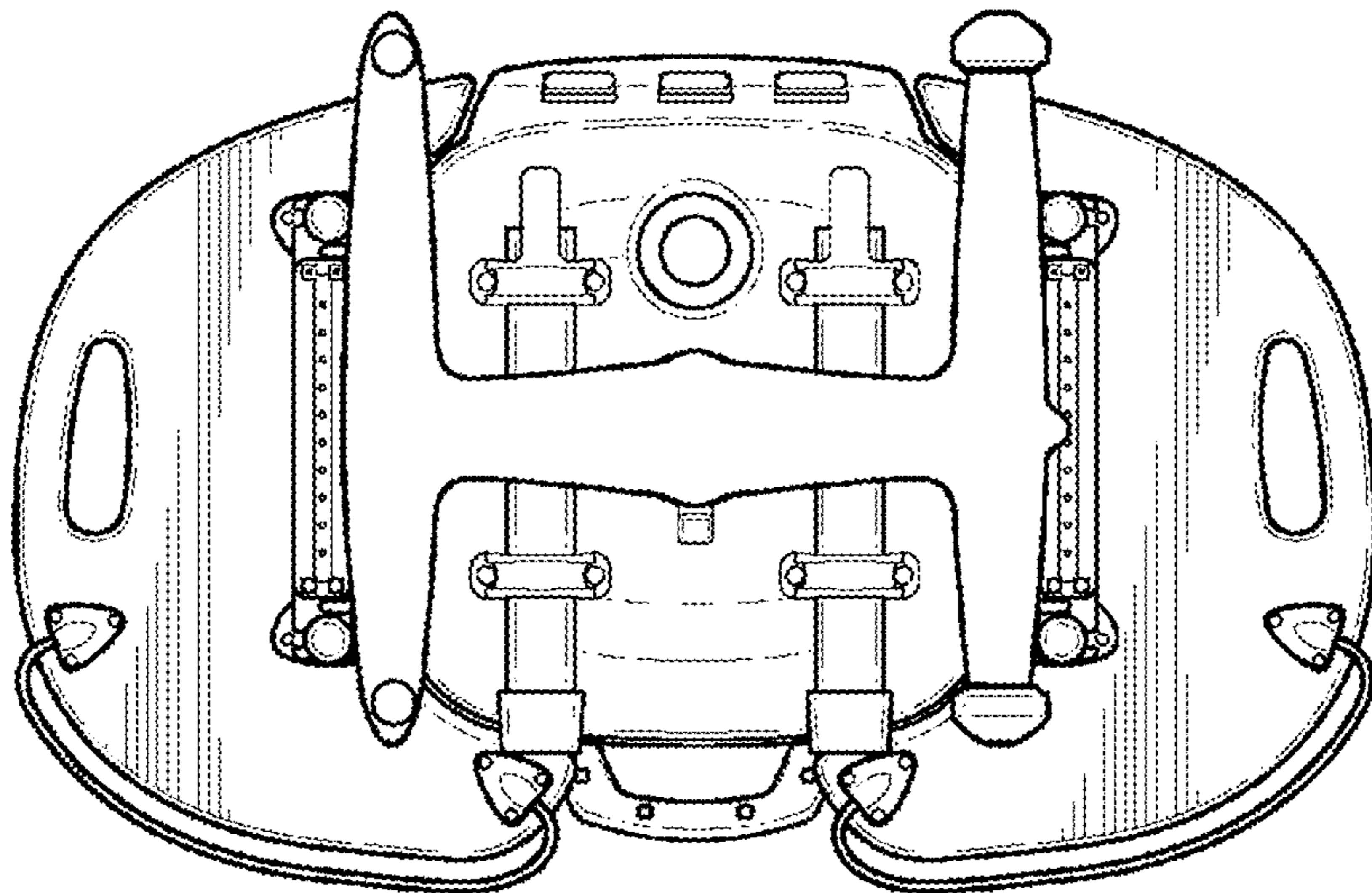


Fig. 7

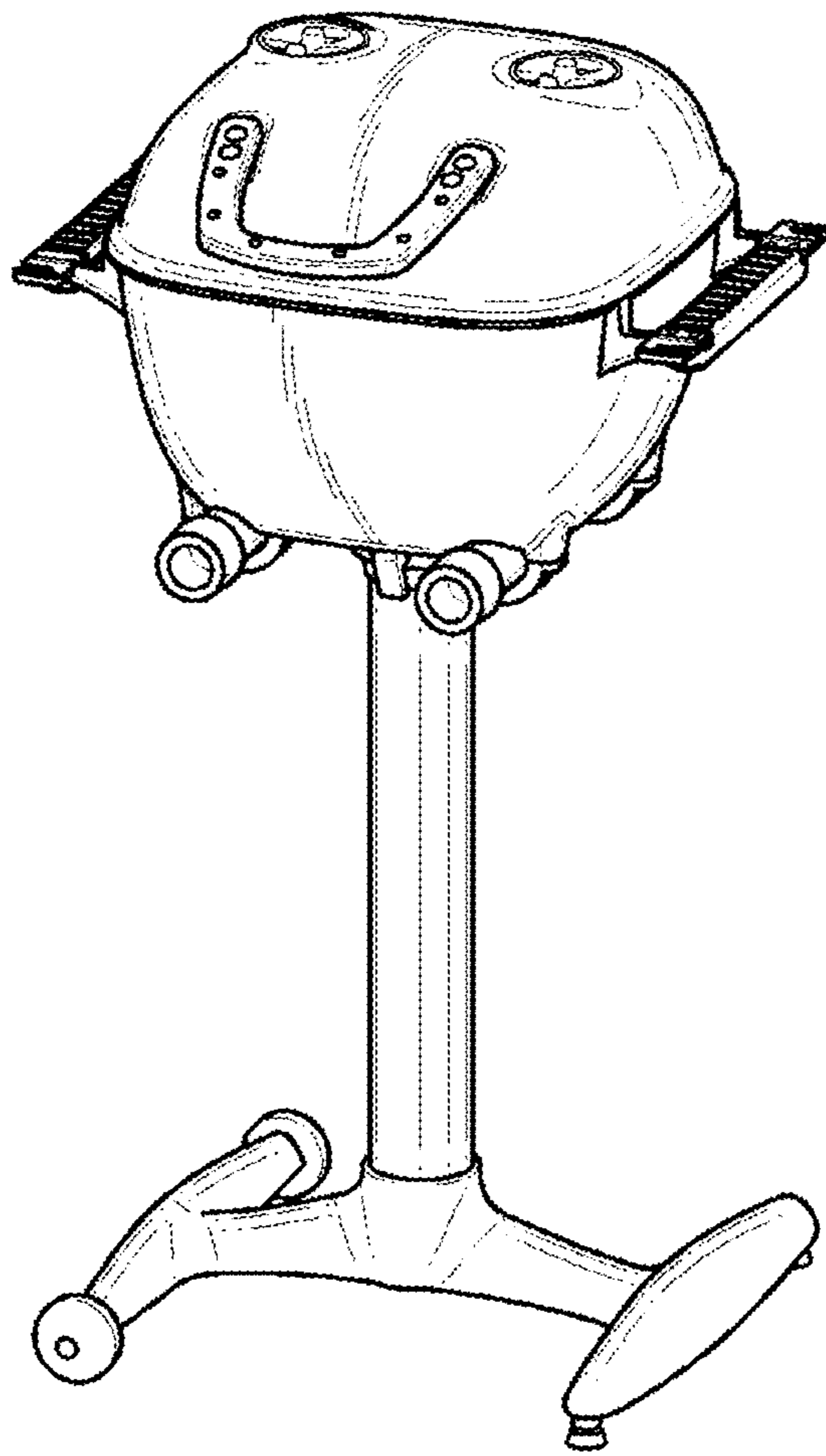


Fig. 8

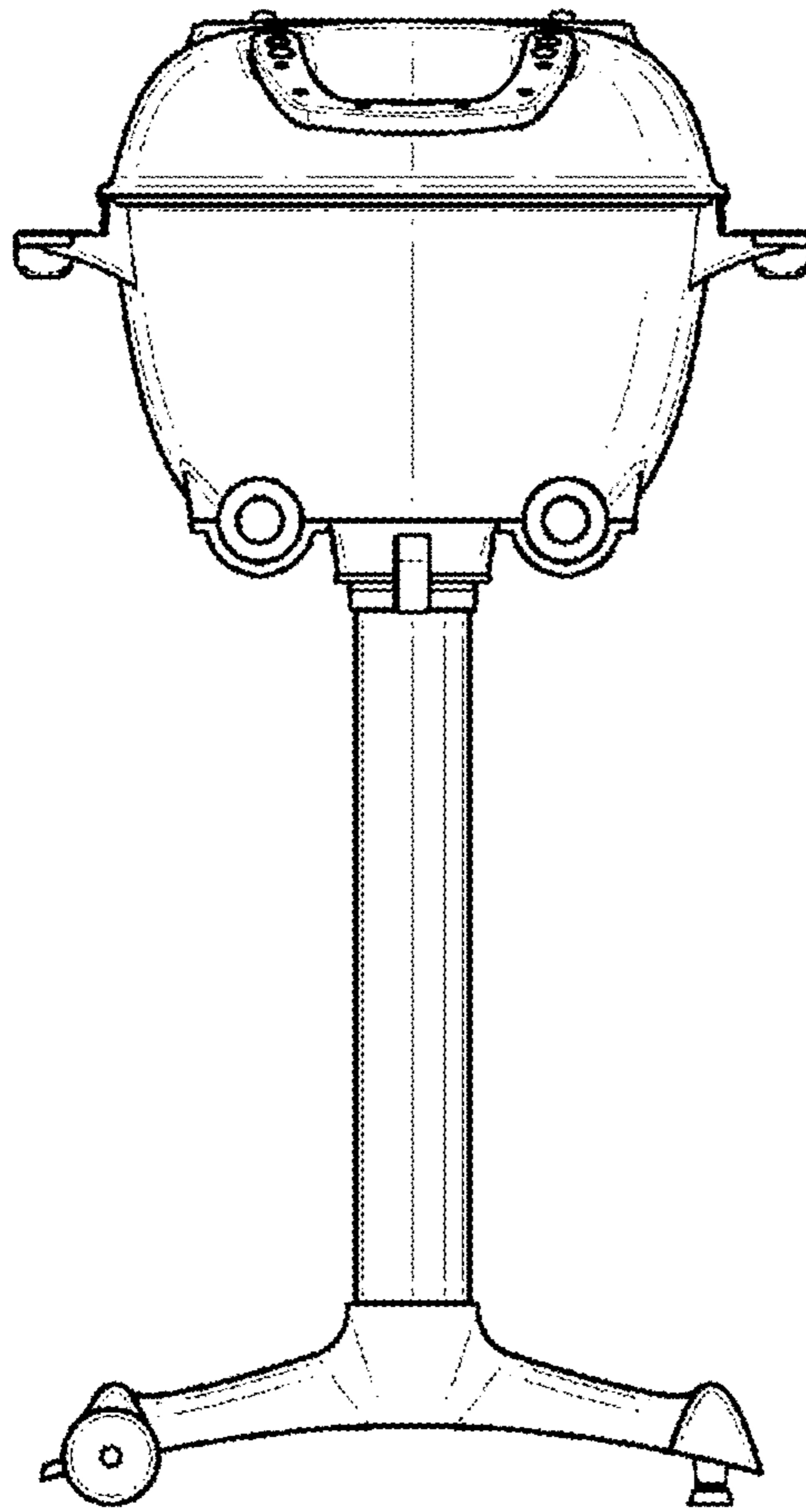


Fig. 9

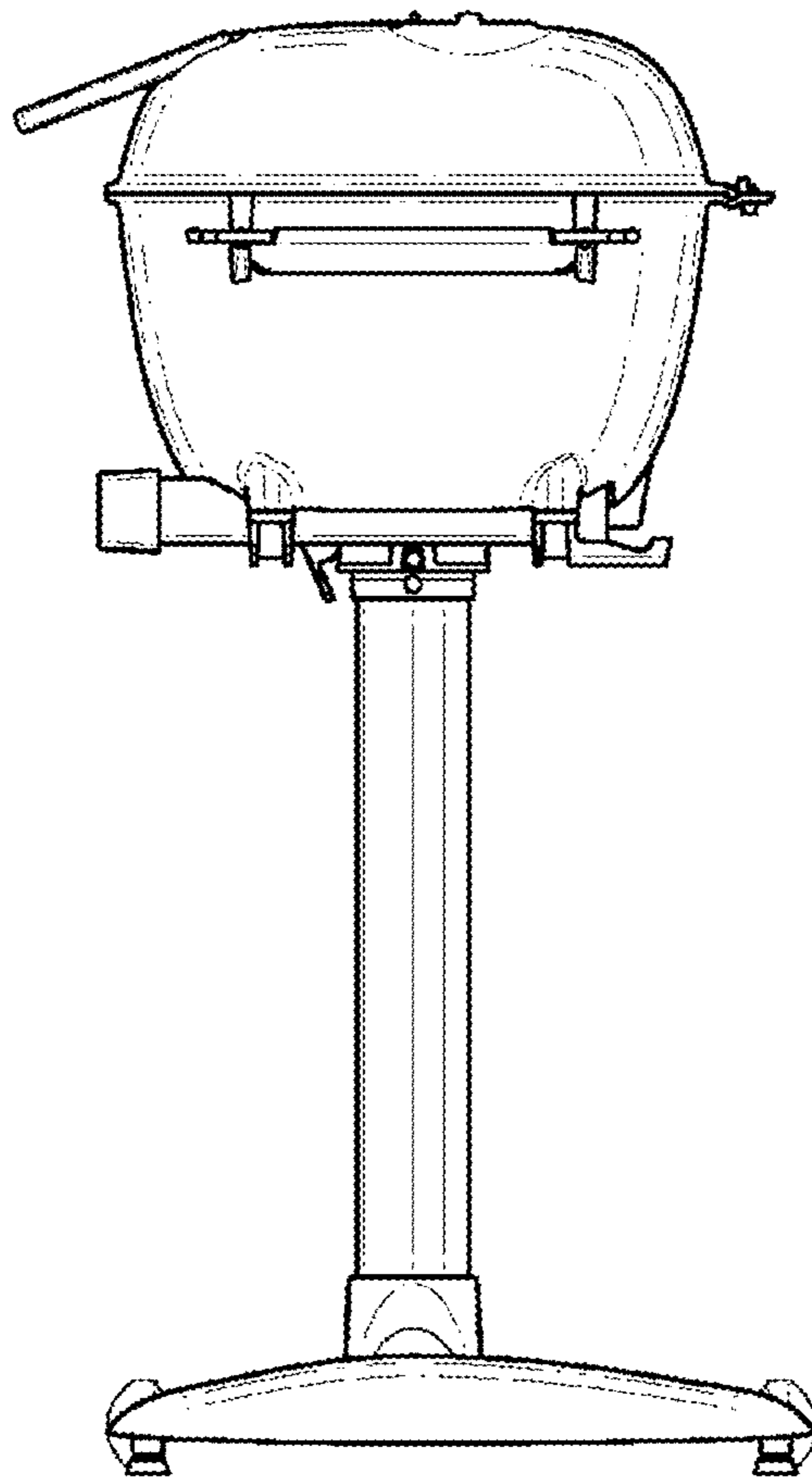


Fig. 10

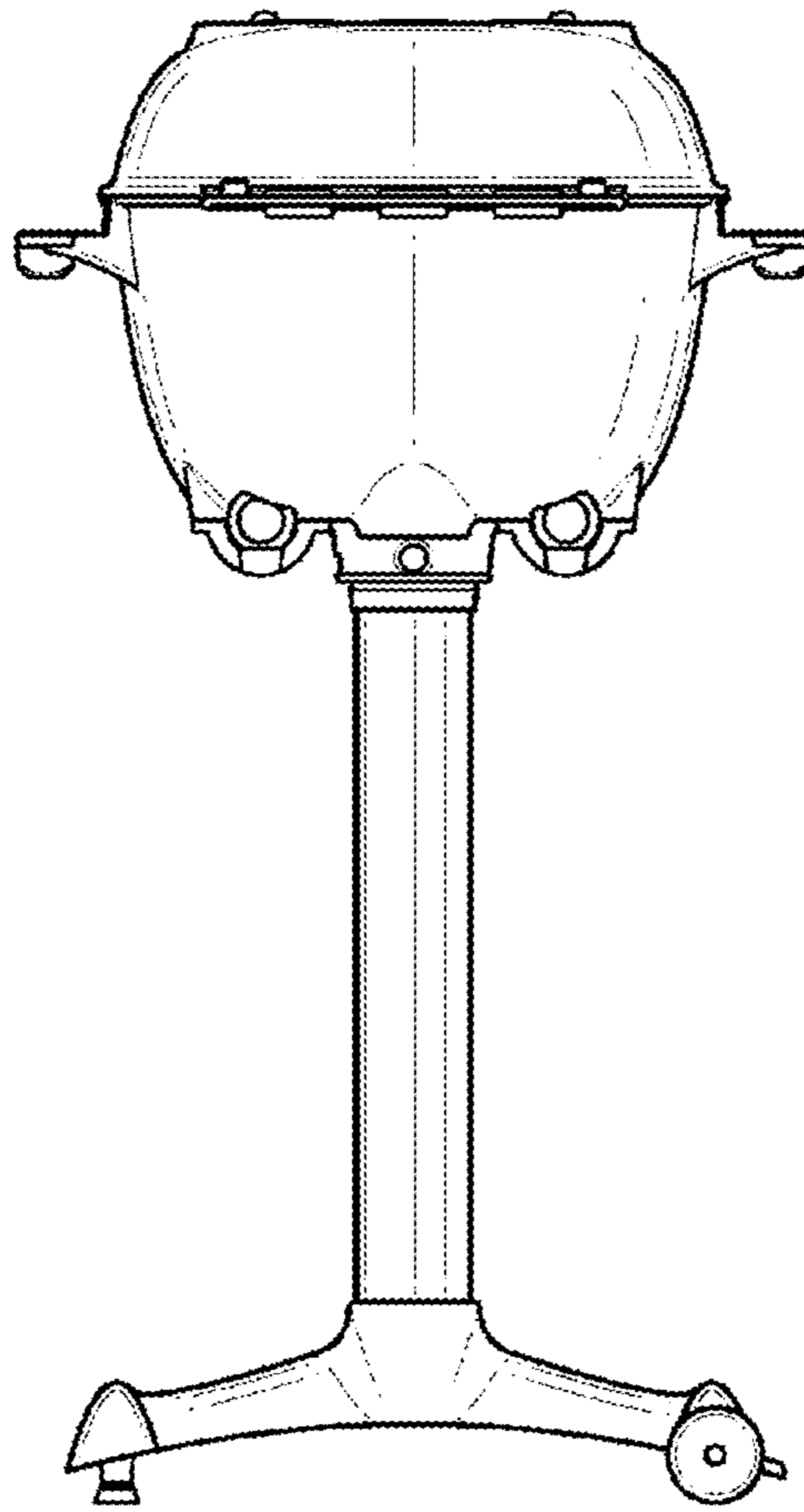


Fig. 11

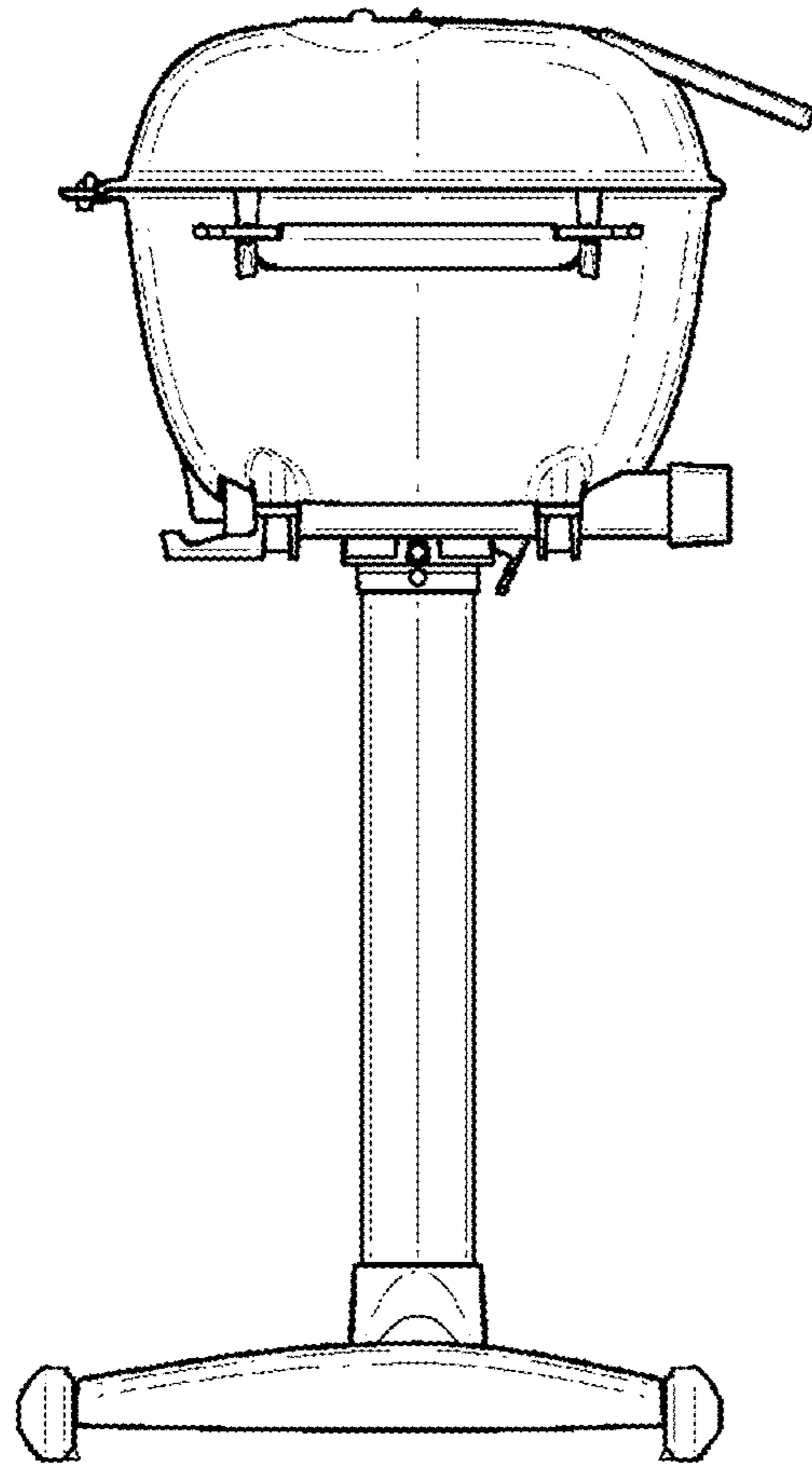


Fig. 12

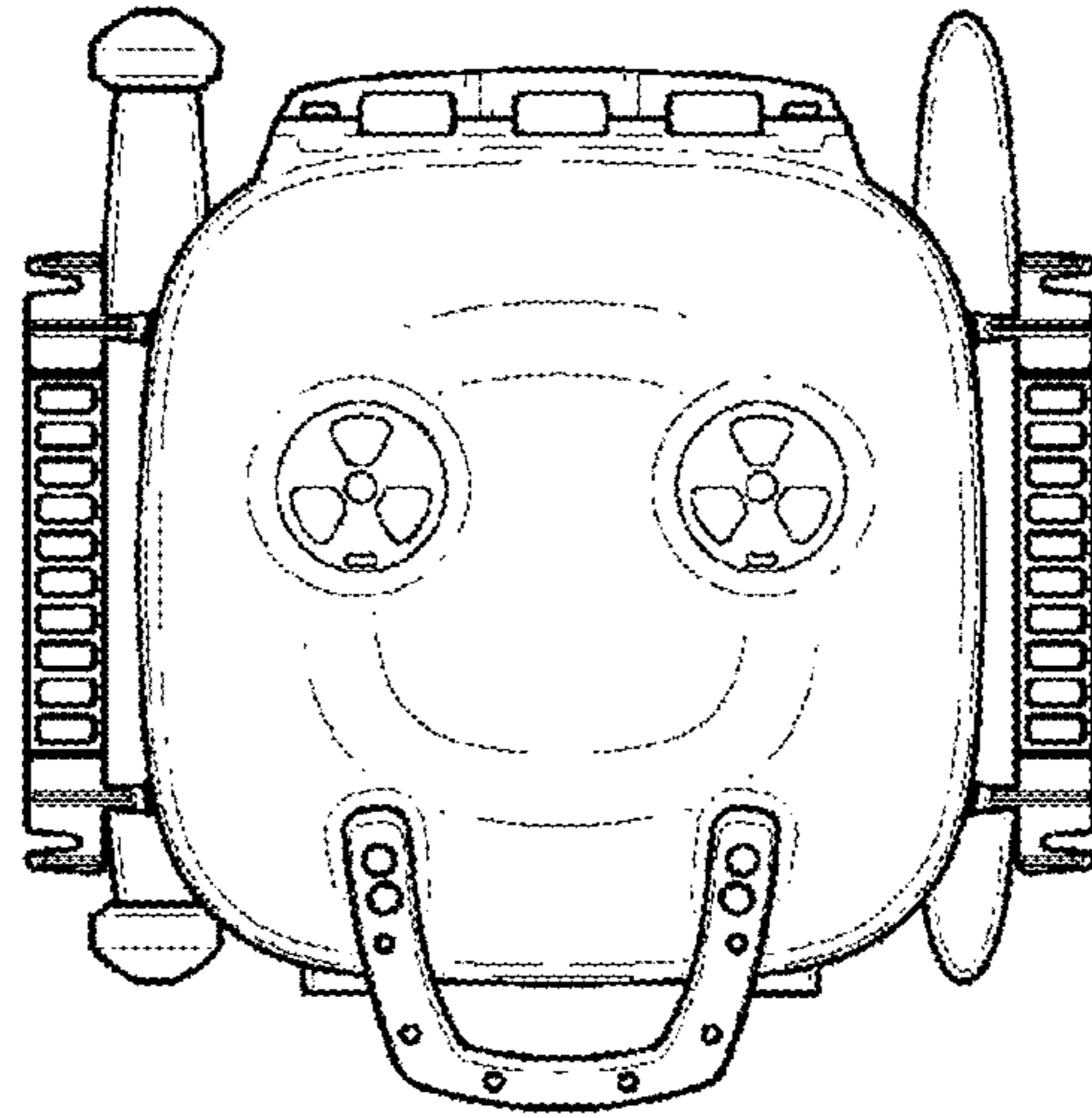


Fig. 13

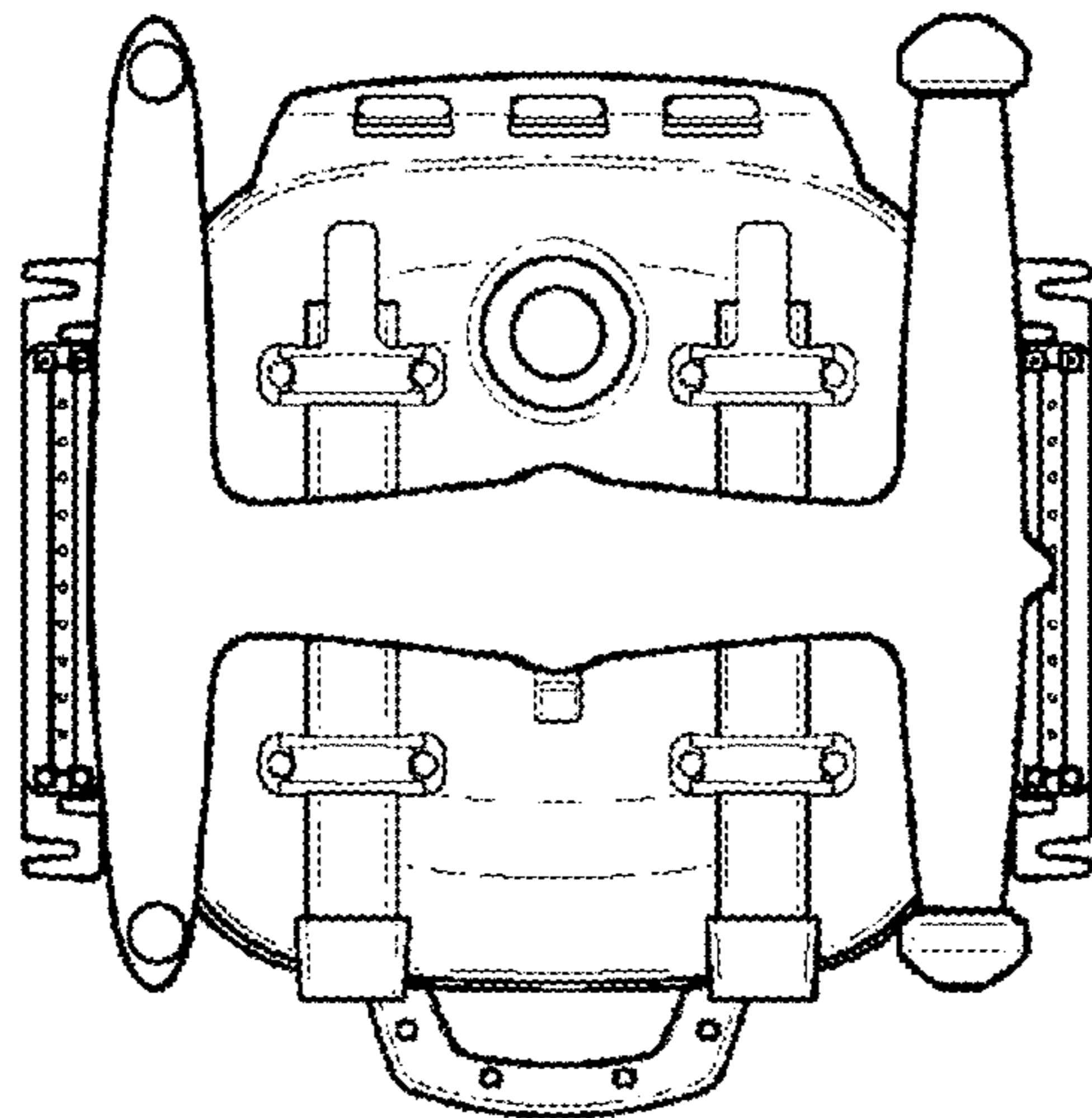


Fig. 14