



US00D831402S

(12) **United States Design Patent**
Patel et al.

(10) **Patent No.:** **US D831,402 S**

(45) **Date of Patent:** **** Oct. 23, 2018**

(54) **BREASTMILK WARMER**

(71) Applicant: **MEDELA HOLDING AG**, Baar (CH)

(72) Inventors: **Kalpesh Patel**, McHenry, IL (US);
Joseph Wach, Ingleside, IL (US)

(73) Assignee: **MEDELA HOLDING AG**, Baar (CH)

(**) Term: **15 Years**

(21) Appl. No.: **29/611,508**

(22) Filed: **Jul. 21, 2017**

(51) **LOC (11) Cl.** **07-02**

(52) **U.S. Cl.**
USPC **D7/326**

(58) **Field of Classification Search**

USPC D7/323, 326, 354-361, 391
CPC .. A47J 27/00; A47J 27/04; A47J 27/05; A47J
27/08; A47J 27/09; A47J 27/092; A47J
36/025; A47J 36/06; A47J 36/08; A47J
36/10; A47J 36/12; A47J 37/12; A47J
37/1204; A47J 37/1209; H05B 6/02;
H05B 6/06; H05B 6/12

See application file for complete search history.

(56) **References Cited**

U.S. PATENT DOCUMENTS

2,853,205	A	9/1958	Boyd	
3,345,497	A	10/1967	Porteous	
4,233,495	A	11/1980	Scoville et al.	
4,923,681	A	5/1990	Cox et al.	
5,544,701	A	8/1996	Elder	
D410,815	S *	6/1999	Oger	D7/354
D452,412	S *	12/2001	Jeong	D7/354
6,417,498	B1	7/2002	Shields et al.	
D489,223	S *	5/2004	Jung	D7/354
6,768,085	B2	7/2004	Faries, Jr. et al.	
6,870,137	B1	3/2005	Clapp	

(Continued)

Primary Examiner — Ricky Pham

(74) *Attorney, Agent, or Firm* — Marshall, Gerstein & Borun LLP

(57) **CLAIM**

The ornamental design for a breastmilk warmer, as shown and described.

DESCRIPTION

FIG. 1 is a front, right perspective view of a breastmilk warmer of the present invention;

FIG. 2 is a front elevation view of the invention illustrated in FIG. 1;

FIG. 3 is a right side view of the invention illustrated in FIG. 1;

FIG. 4 is a rear elevation view of the invention illustrated in FIG. 1;

FIG. 5 is a left side view of the invention illustrated in FIG. 1;

FIG. 6 is a top view of the invention illustrated in FIG. 1;

FIG. 7 is a bottom view of the invention illustrated in FIG. 1;

FIG. 8 is a front, right perspective view of a lid of the breastmilk warmer illustrated in FIG. 1;

FIG. 9 is a bottom plan view of the lid of the breastmilk warmer illustrated in FIG. 1;

FIG. 10 is a cross-sectional view taken along lines 10-10 of FIG. 9;

FIG. 11 is a right side view of the lid of the breastmilk warmer illustrated in FIG. 1;

FIG. 12 is a left side view of the lid of the breastmilk warmer illustrated in FIG. 1;

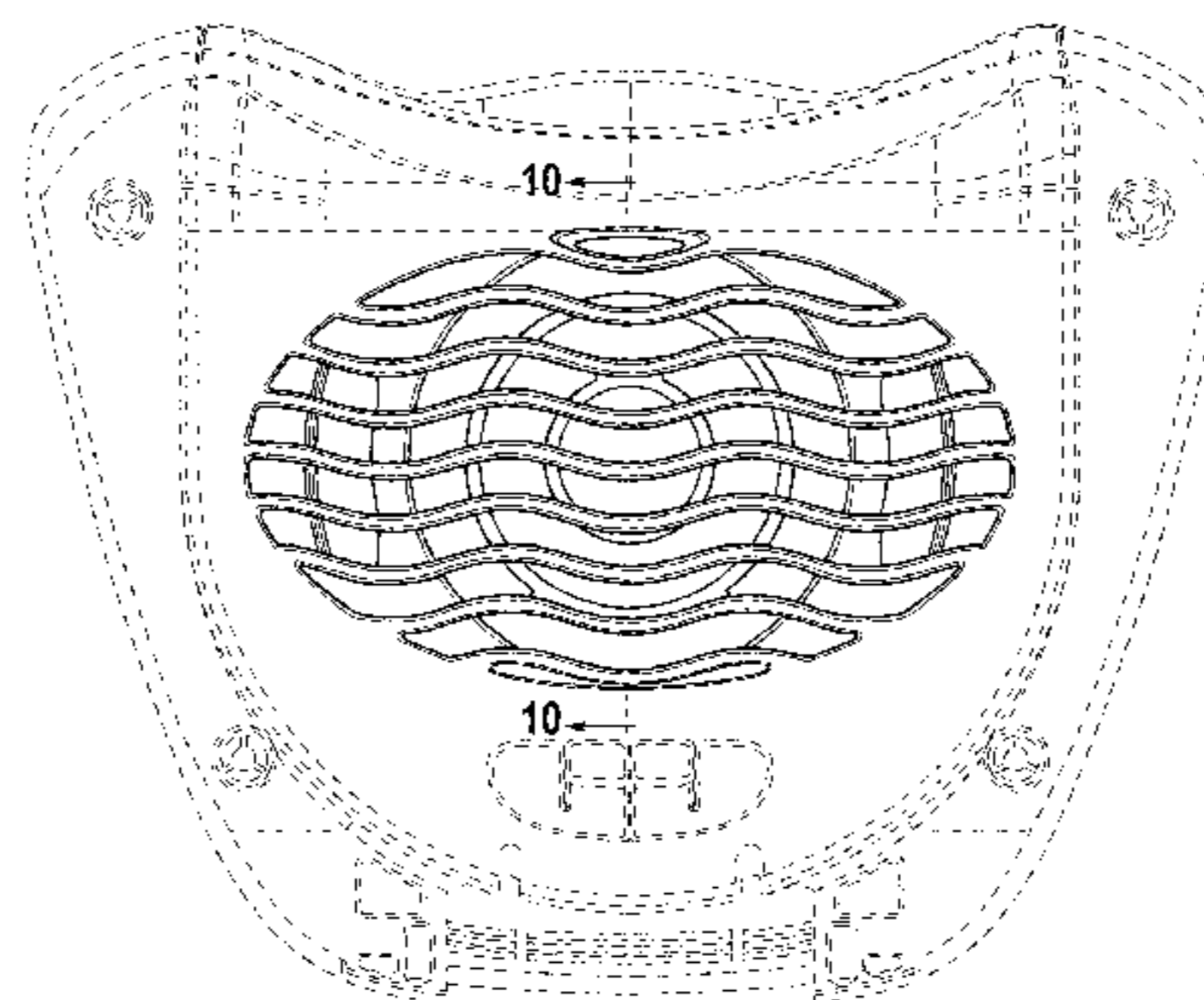
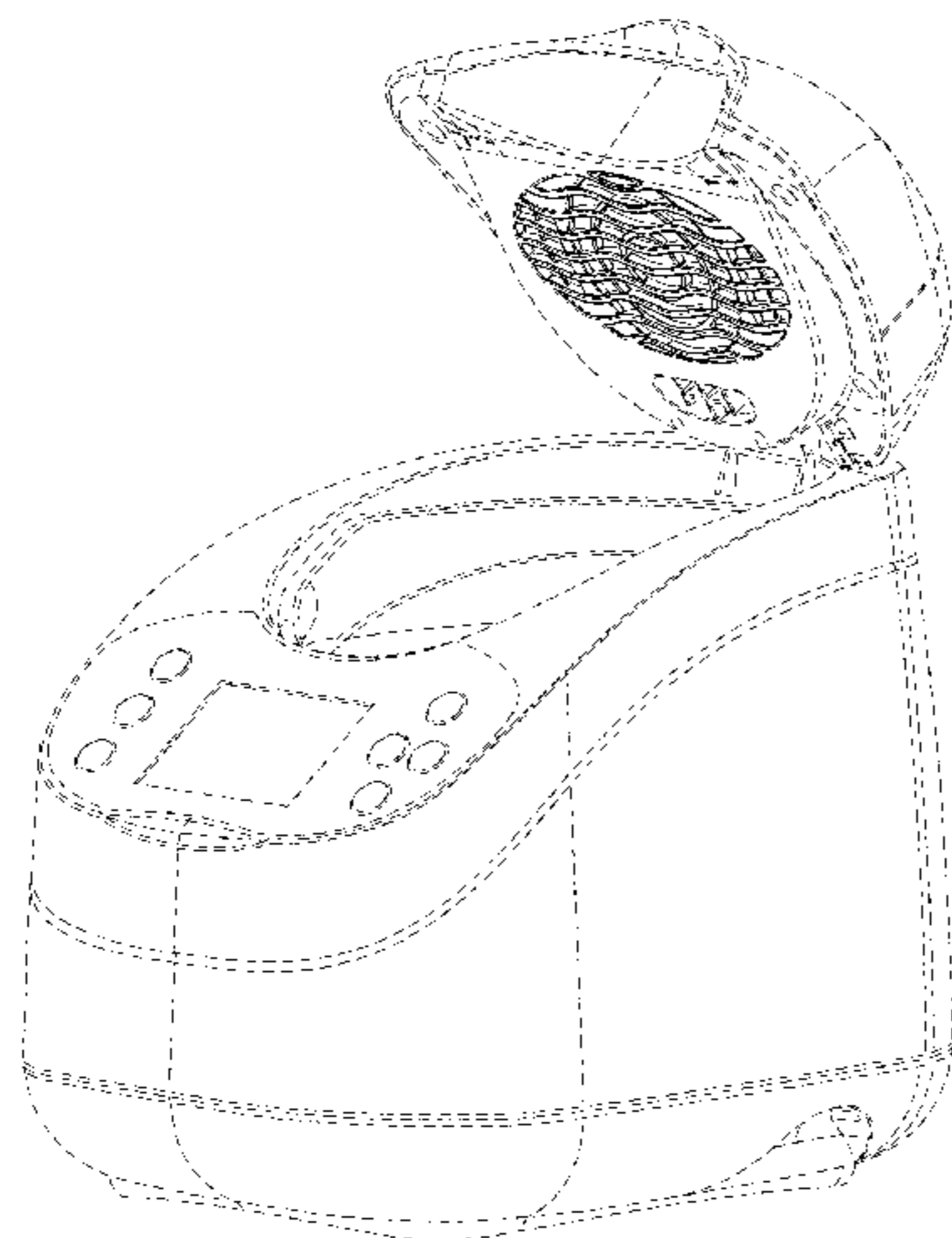
FIG. 13 is a front elevation view of the lid of the breastmilk warmer illustrated in FIG. 1;

FIG. 14 is a rear elevation view of the lid of the breastmilk warmer illustrated in FIG. 1; and,

FIG. 15 is a top plan view of the lid of the breastmilk warmer illustrated in FIG. 1.

The broken lines in the drawings illustrate portions of the breastmilk warmer and form no part of the claimed design.

1 Claim, 12 Drawing Sheets



(56)

References Cited

U.S. PATENT DOCUMENTS

D505,293	S	*	5/2005	Jung	D7/354
D604,092	S	*	11/2009	Kotani	D7/354
D632,128	S	*	2/2011	Lam	D7/354
8,242,415	B2		8/2012	Tippmann, Sr. et al.		
D684,806	S	*	6/2013	Nakatani	D7/354
D698,593	S	*	2/2014	Ishikawa	D7/354
D698,594	S	*	2/2014	Ishikawa	D7/354
D730,678	S	*	6/2015	Horimoto	D7/354
9,241,596	B2		1/2016	Bauer et al.		
D765,460	S	*	9/2016	Akiyama	D7/354
2008/0087659	A1		4/2008	Norman et al.		
2008/0093357	A1		4/2008	Norman et al.		
2014/0374371	A1		12/2014	Bauer et al.		
2014/0376894	A1		12/2014	Bauer et al.		

* cited by examiner

Fig. 1

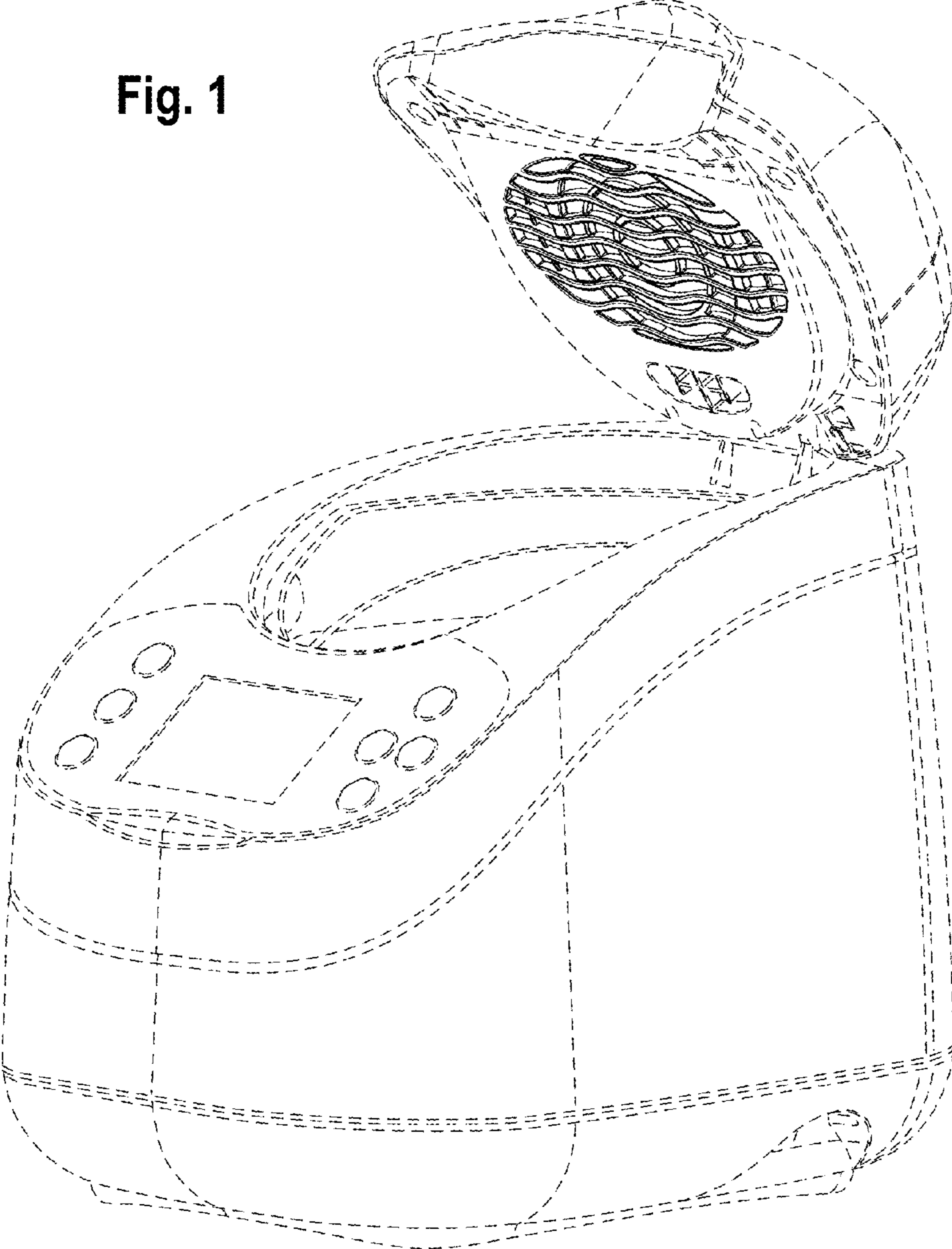


Fig. 2

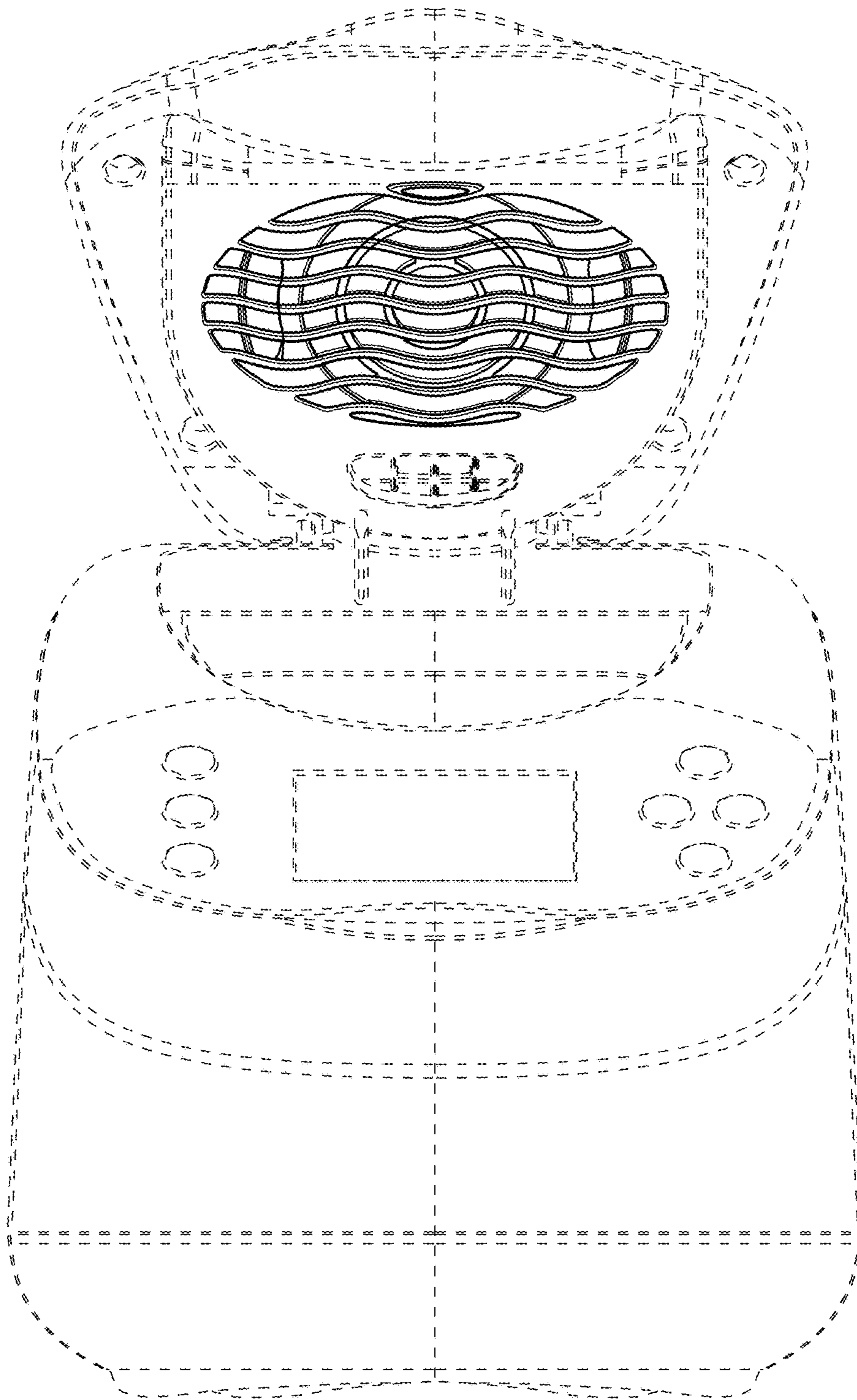


Fig. 3

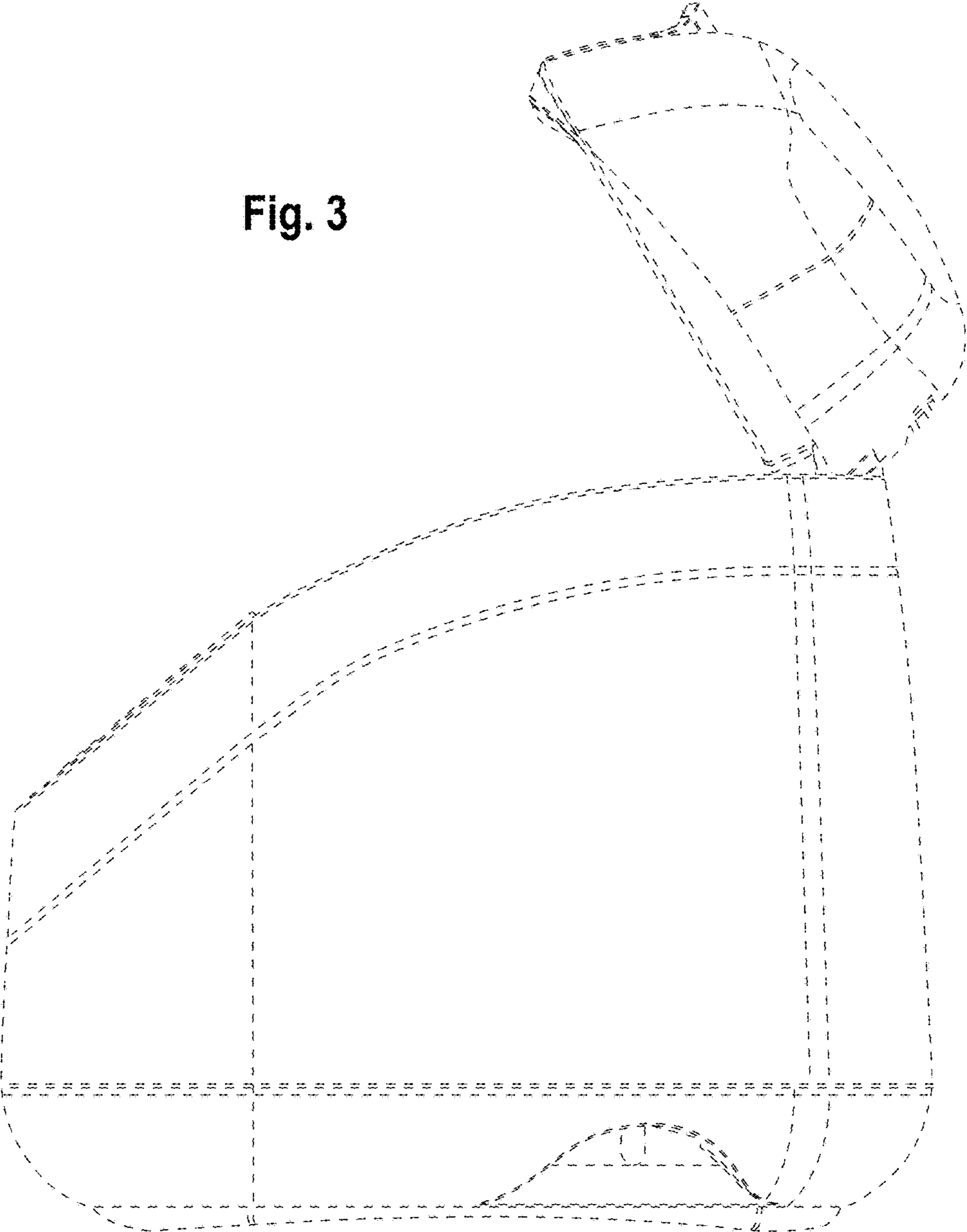
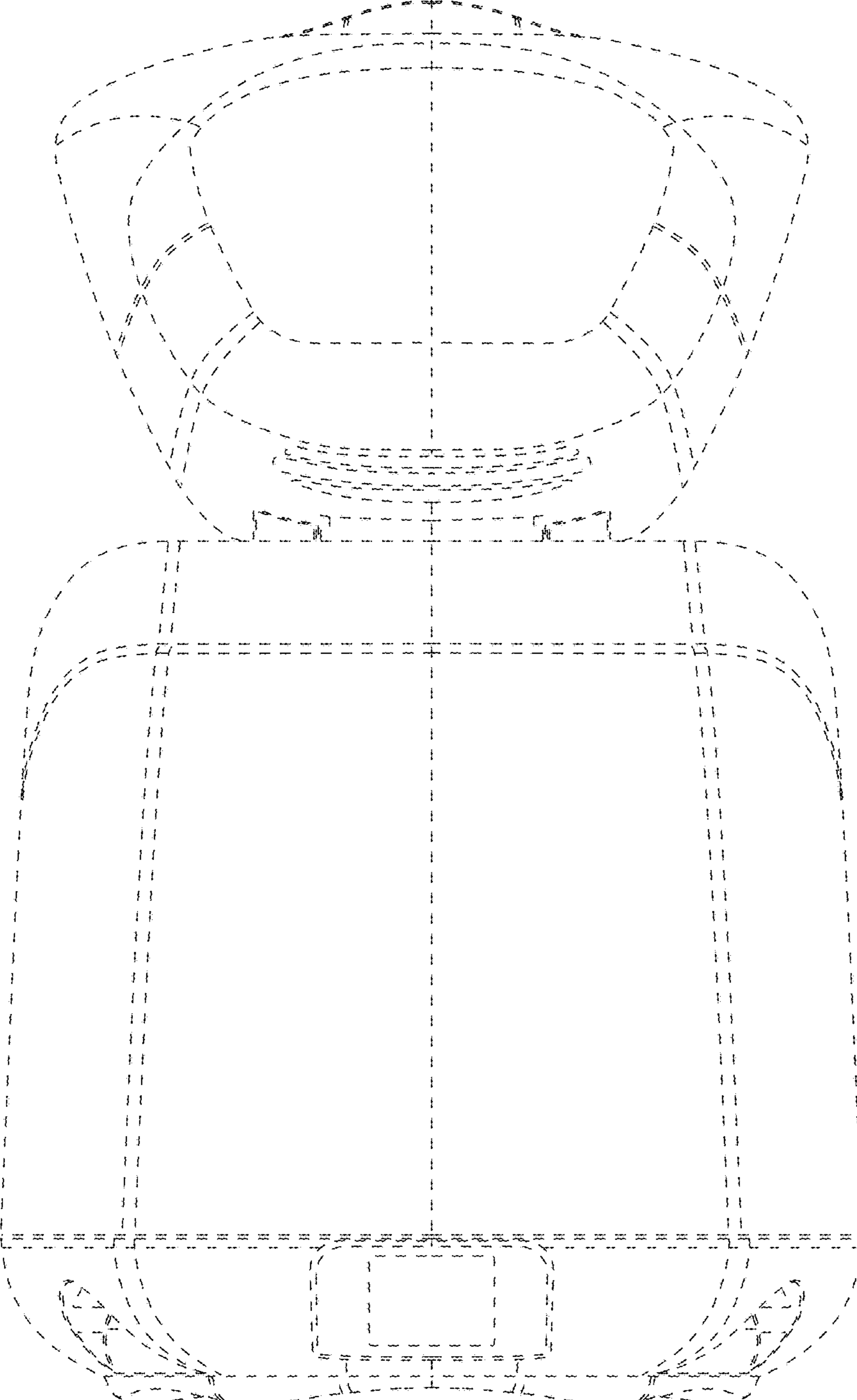


Fig. 4



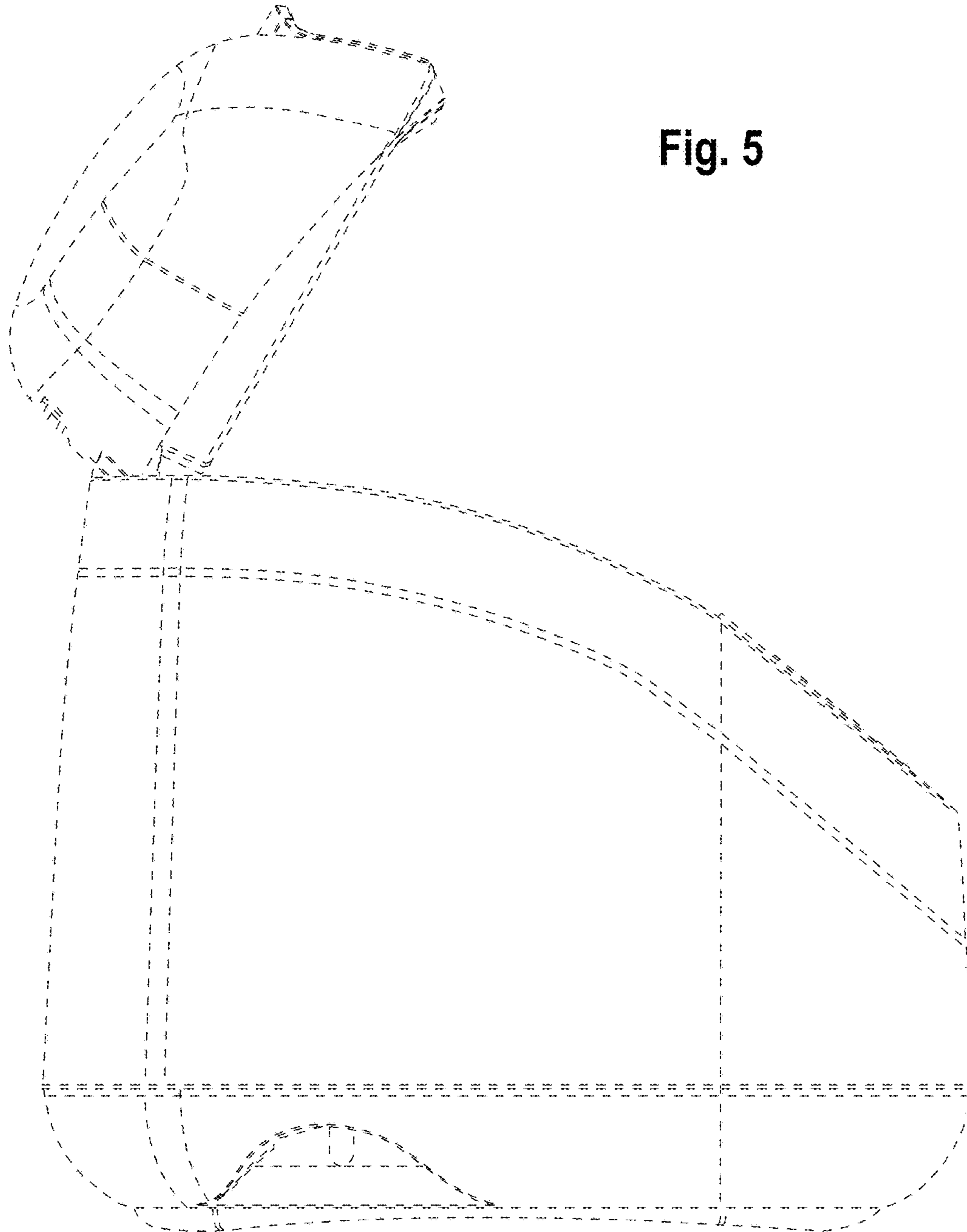


Fig. 5

Fig. 6

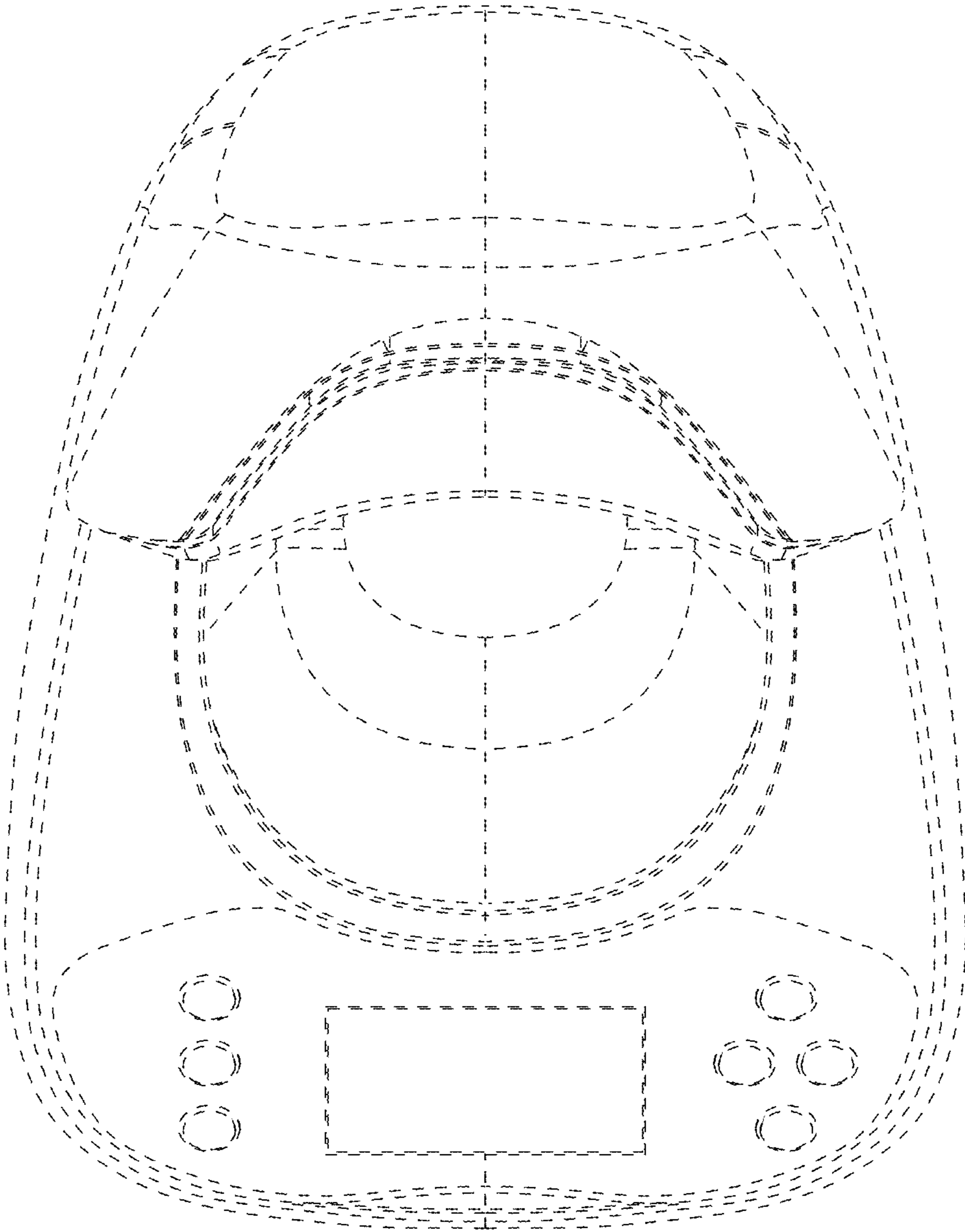


Fig. 7

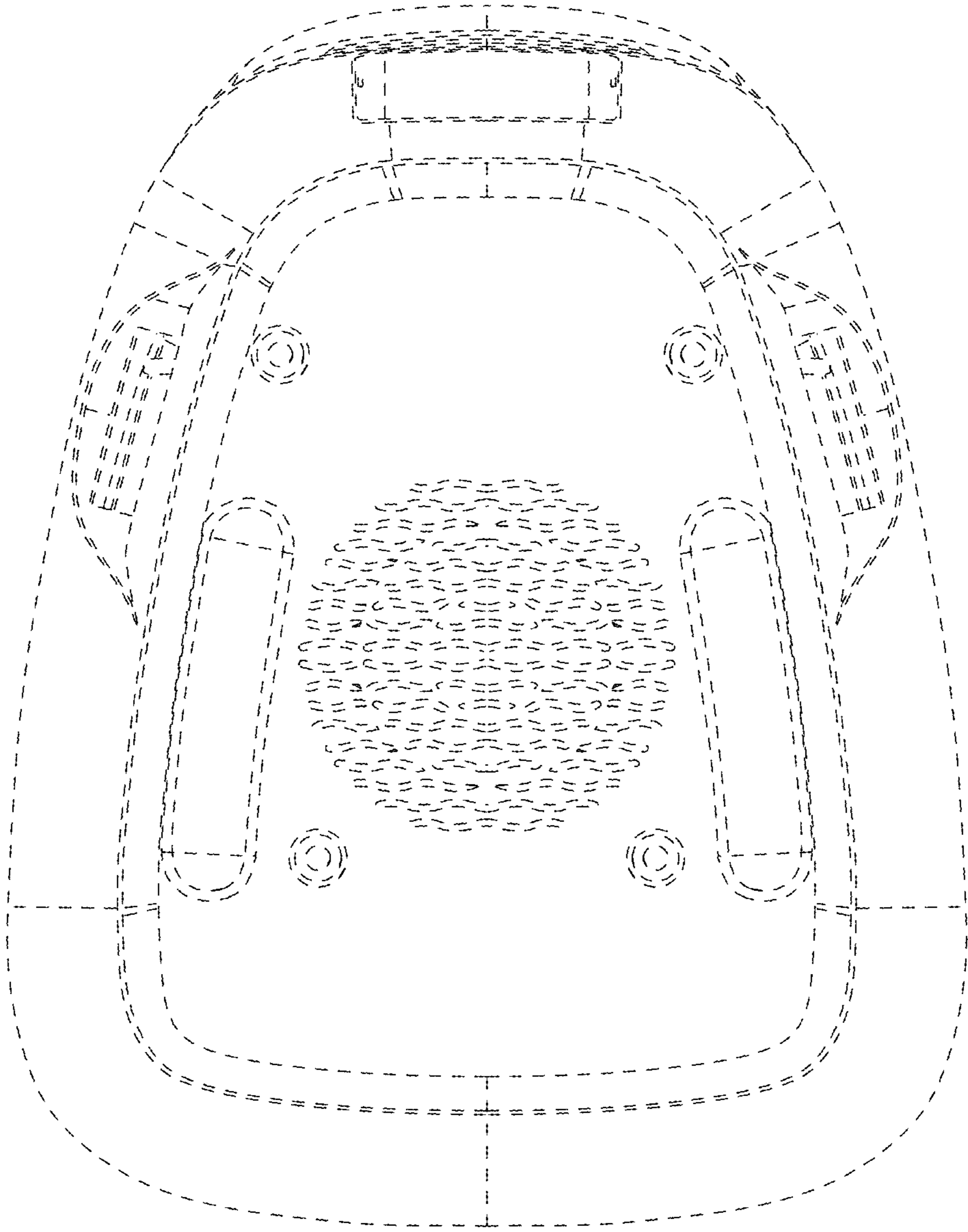


Fig. 8

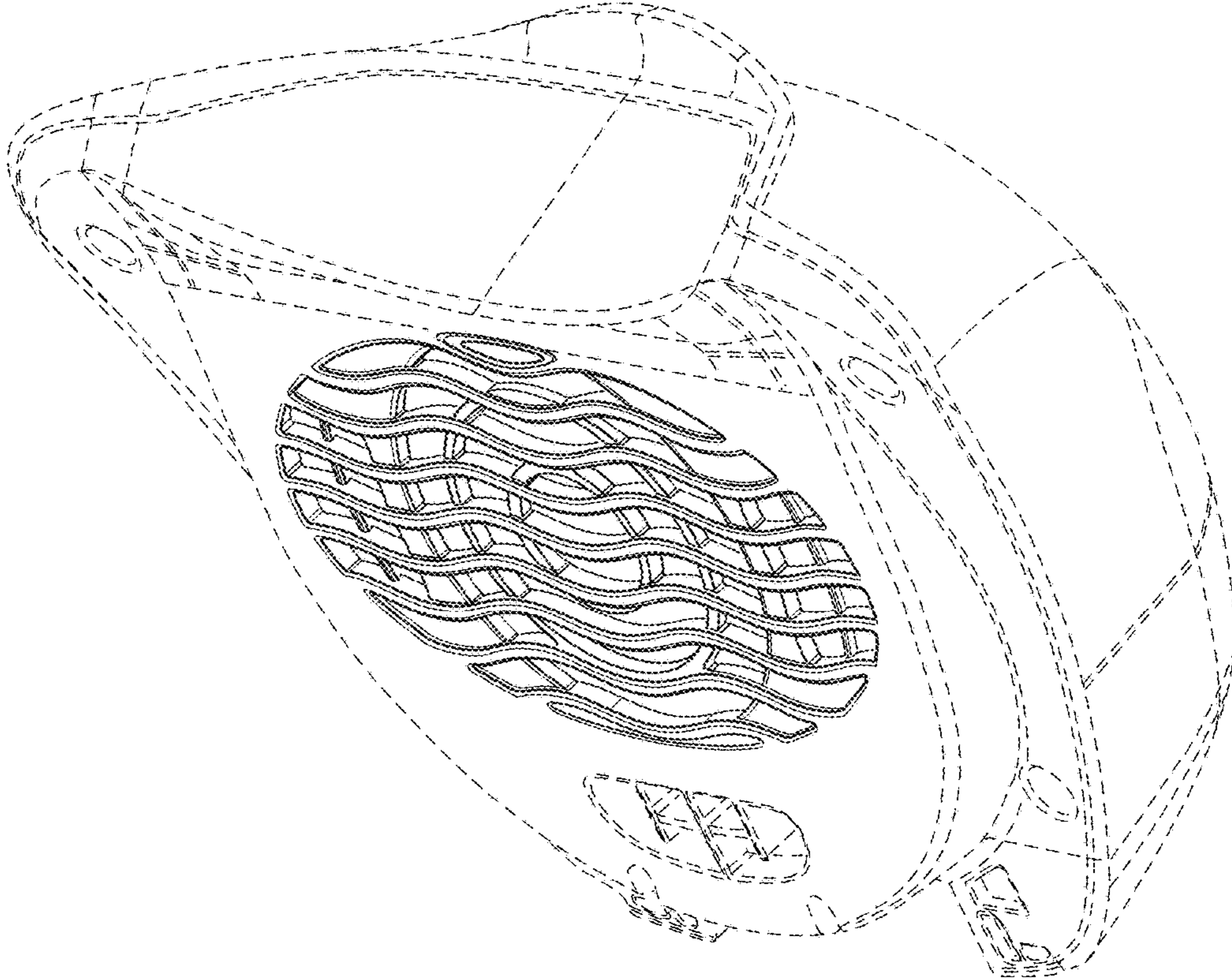


Fig. 9

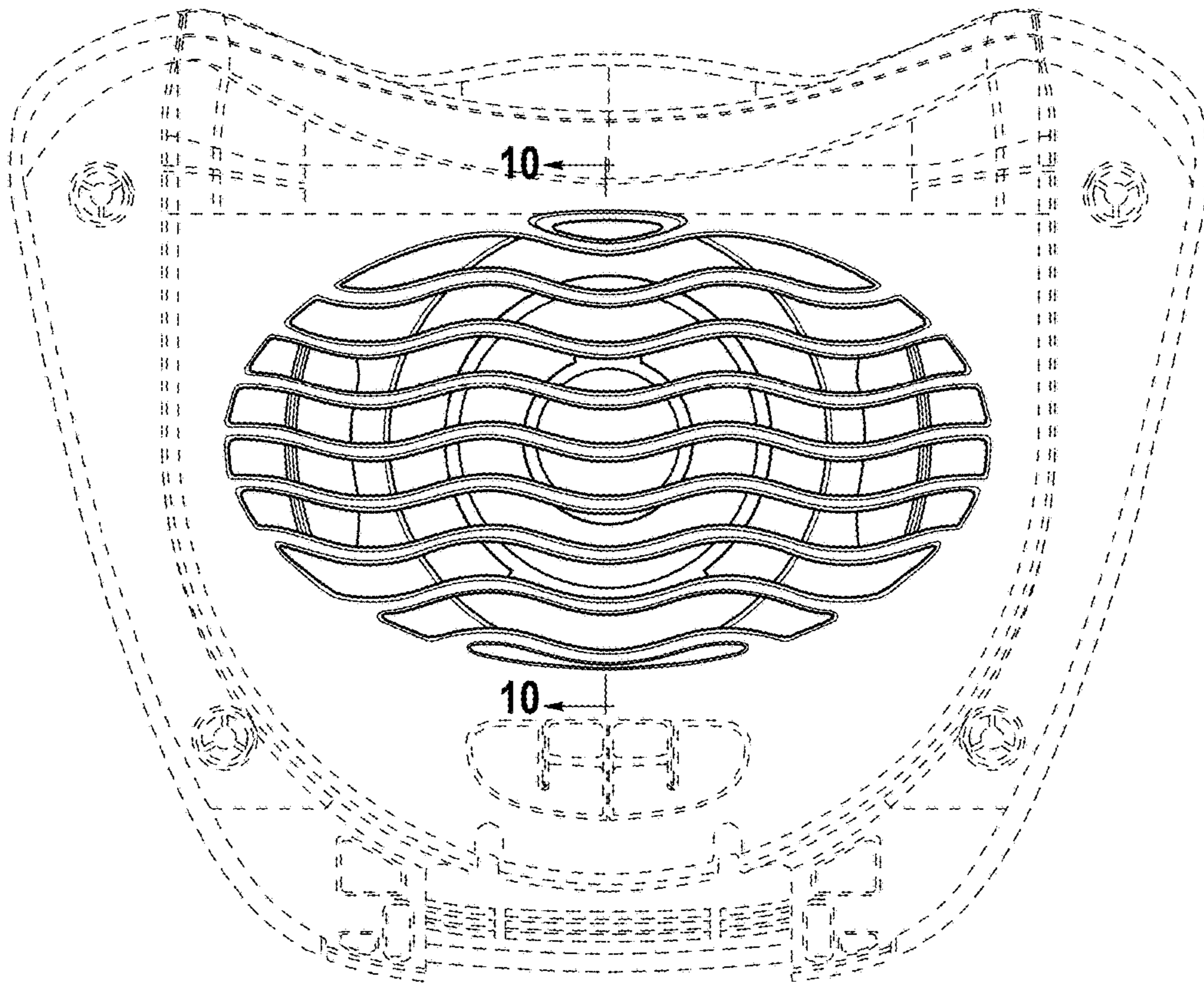


Fig. 10

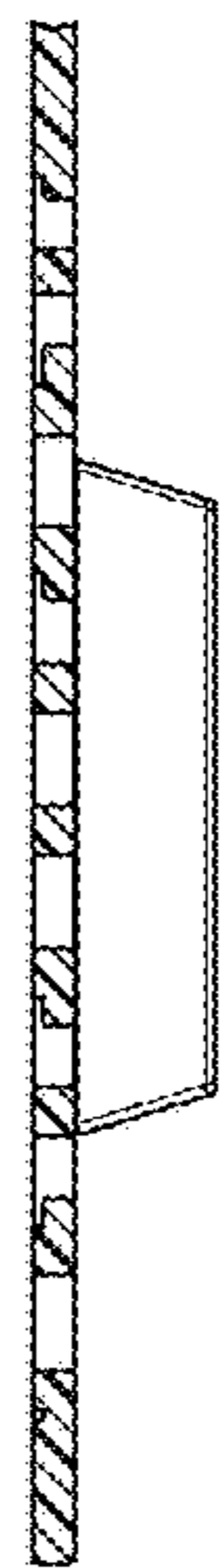


Fig. 11

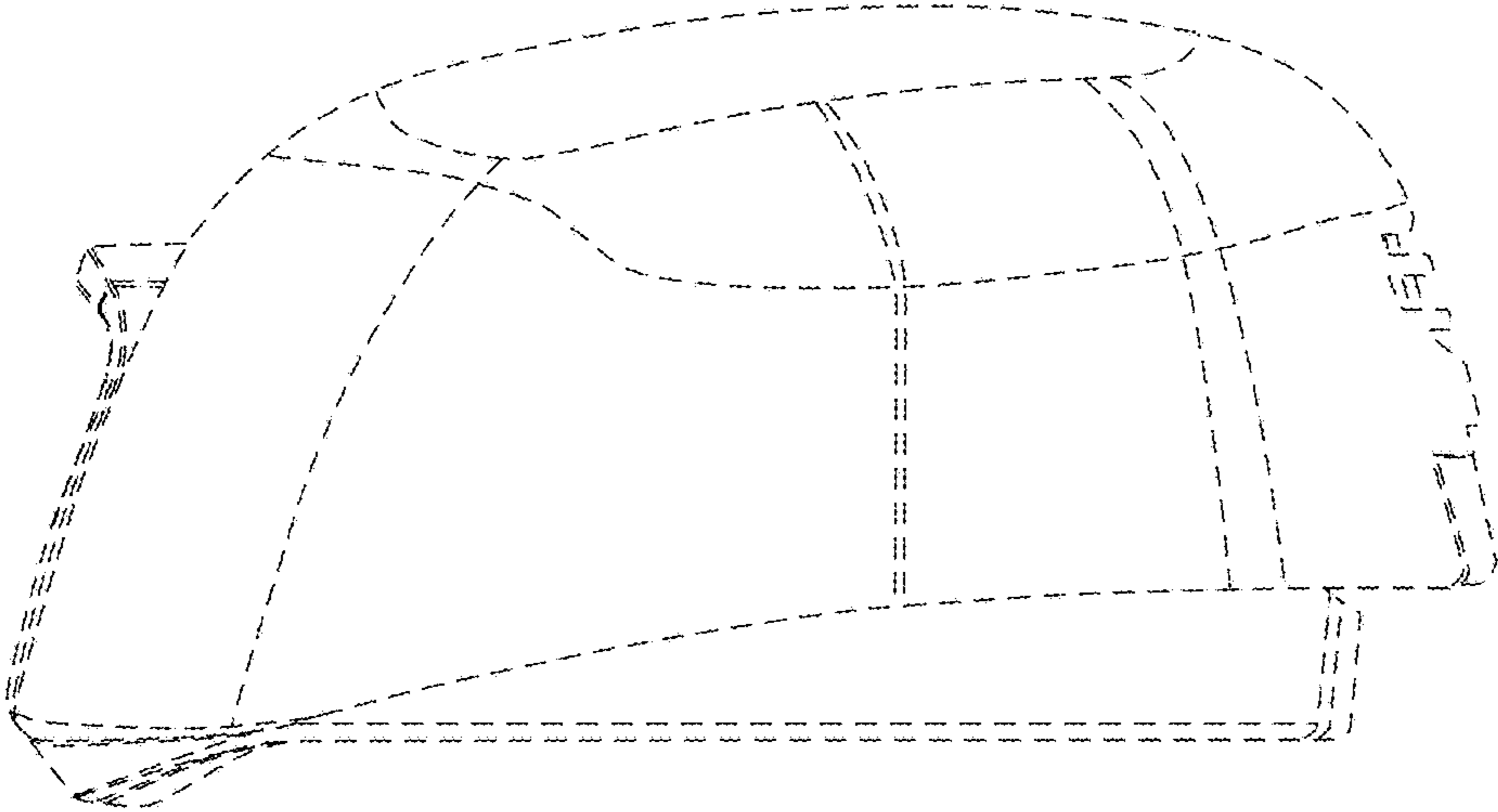


Fig. 12

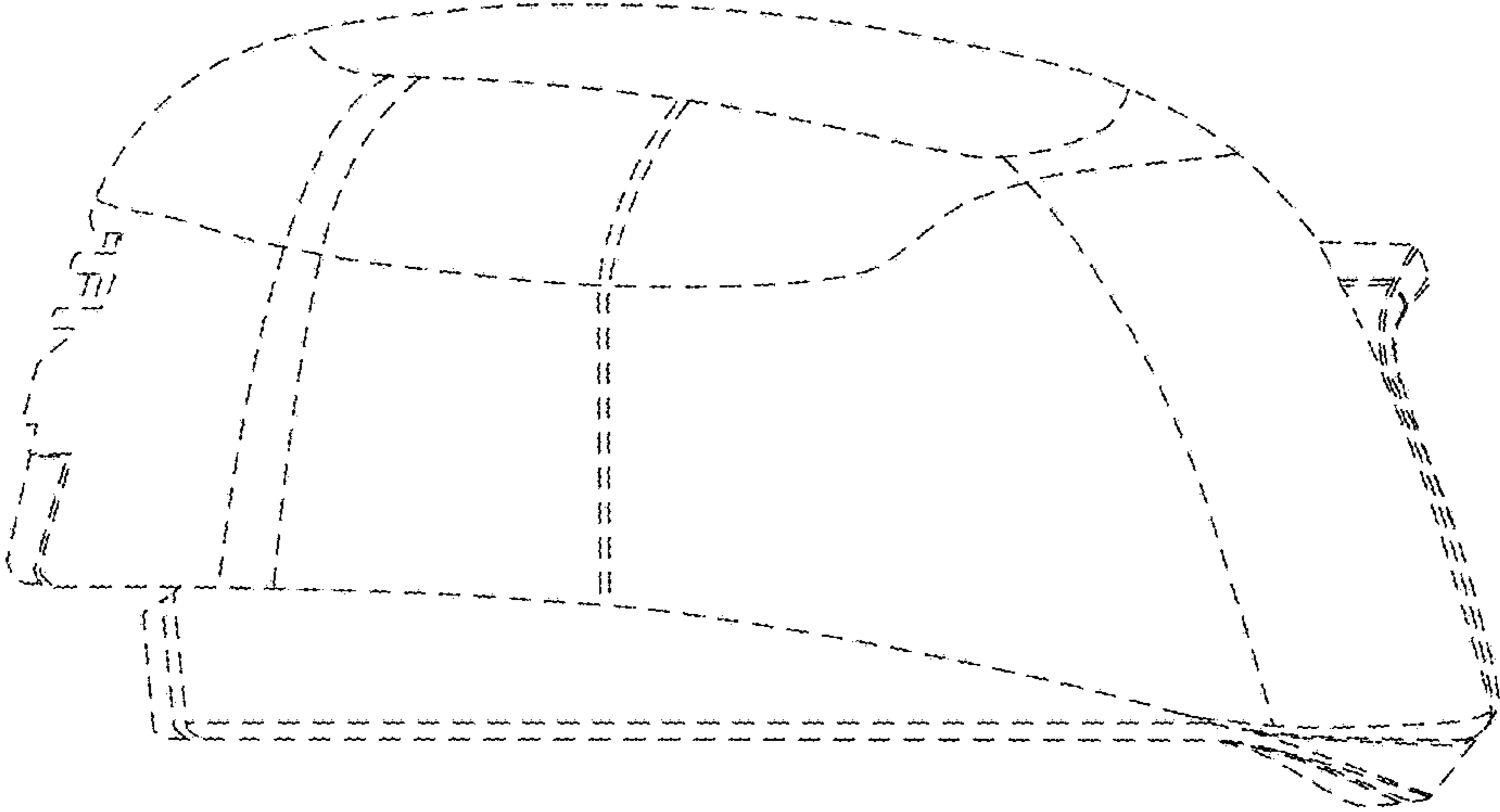


Fig. 13

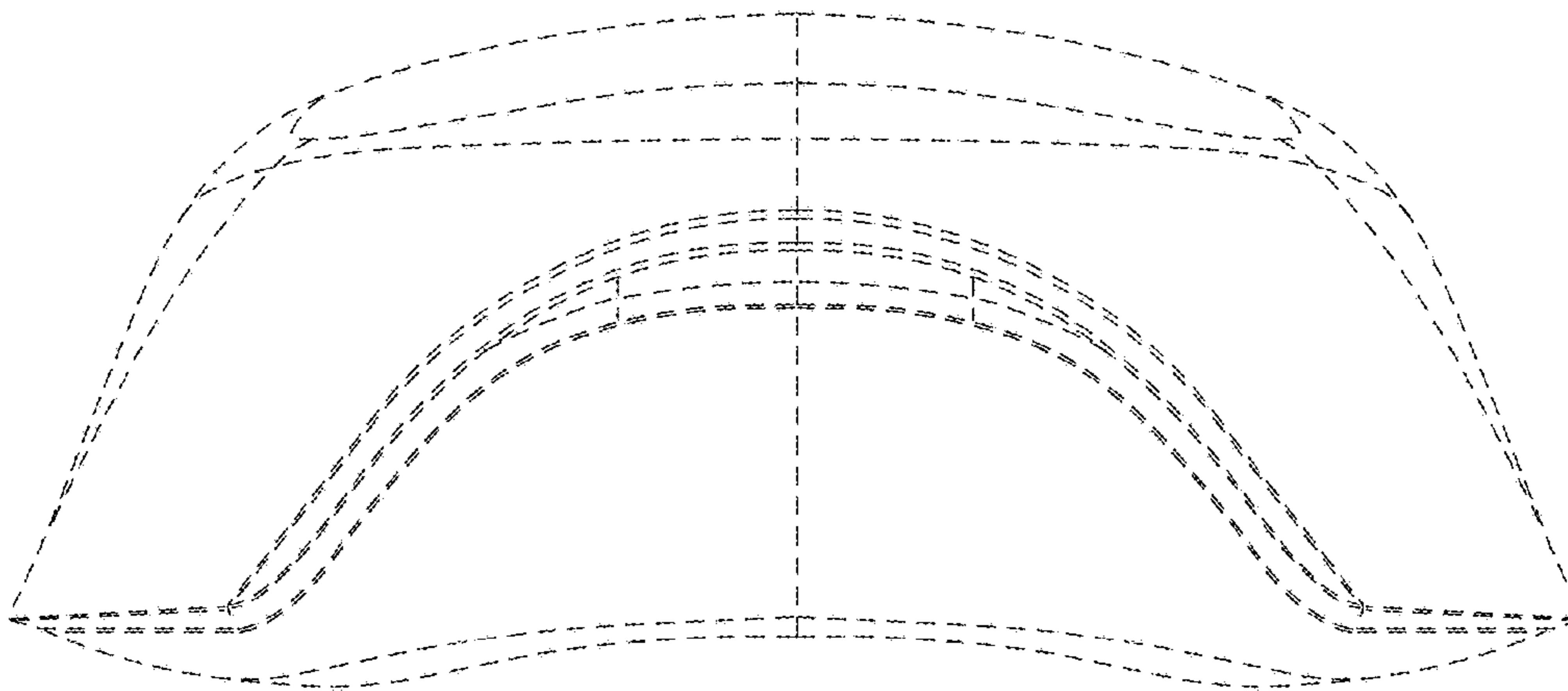


Fig. 14

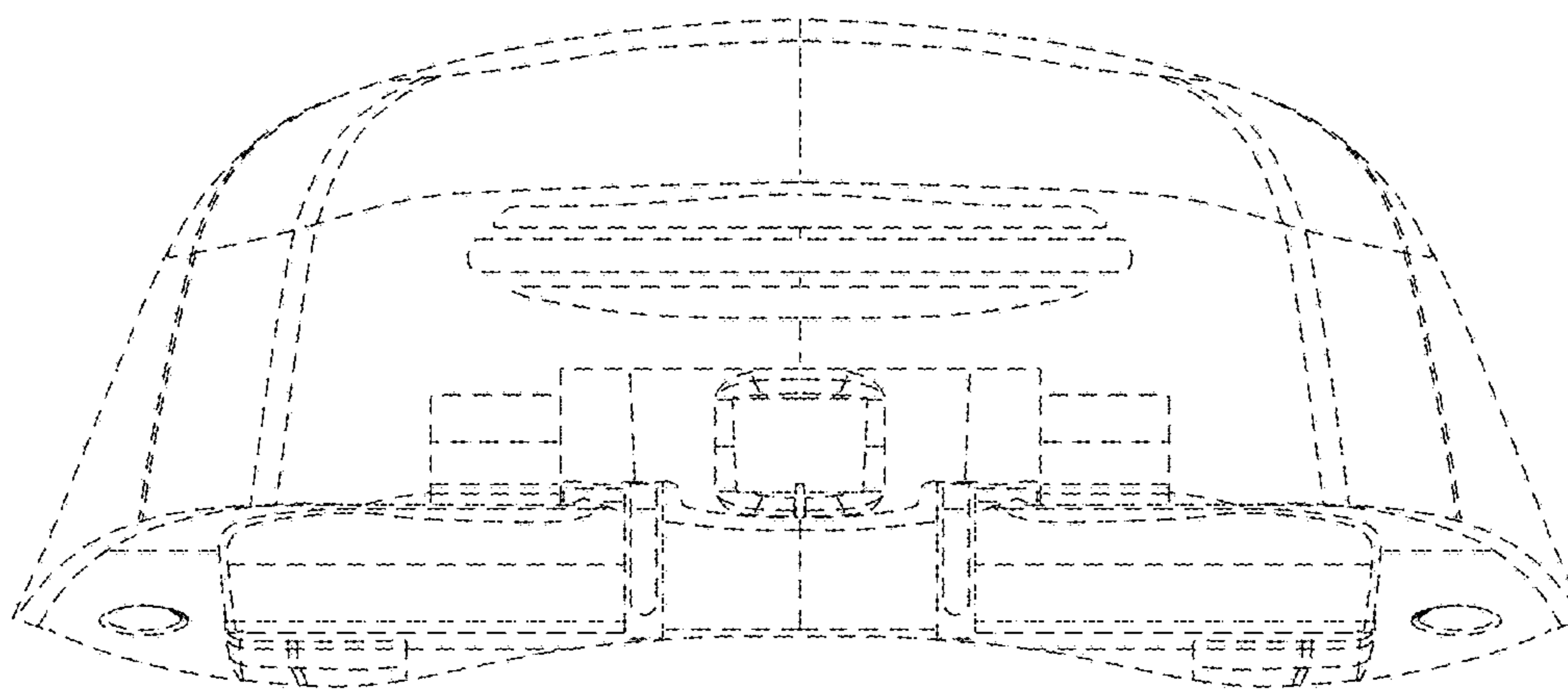


Fig. 15

