



US00D831400S

(12) **United States Design Patent**
Han et al.

(10) **Patent No.:** **US D831,400 S**
(45) **Date of Patent:** **** Oct. 23, 2018**

- (54) **BREWING MACHINE**
- (71) Applicant: **Adagio Teas, Inc.**, Elmwood Park, NJ (US)
- (72) Inventors: **Allen M. Han**, Mountain View, CA (US); **Chung-Ming Ying**, Taichung (TW); **I-Hsuan Tsai**, Taichung (TW)
- (**) Term: **15 Years**
- (21) Appl. No.: **29/597,146**
- (22) Filed: **Mar. 14, 2017**
- (51) **LOC (11) Cl.** **07-01**
- (52) **U.S. Cl.**
USPC **D7/309; D7/311**
- (58) **Field of Classification Search**
USPC D7/300, 309-311, 306-308, 305; 222/146.6, 185.1, 135; 99/295, 273, 304, 99/288, 279, 307, 283
CPC A47J 31/46; A47J 31/407; A47J 31/50; A47J 31/18; A47J 31/00; A47J 27/04; A47J 31/0573; A47J 31/52; A47J 31/0642; A47J 31/3628; A47J 31/445
See application file for complete search history.

D693,165 S	11/2013	Averty	
D701,071 S	3/2014	Büttler	
D712,188 S	9/2014	Averty	
D719,391 S	* 12/2014	De Pra	D7/309
D719,392 S	* 12/2014	De Pra	D7/309
D719,393 S	* 12/2014	De Pra	D7/309
D719,776 S	* 12/2014	Kunz	D7/309
D720,567 S	* 1/2015	Cauwood	D7/306
D721,911 S	* 2/2015	Cauwood	D7/306
D726,483 S	4/2015	Lin	
D727,084 S	* 4/2015	Dorr	D7/309
D728,988 S	5/2015	Warburton	
D738,152 S	* 9/2015	Grasselli	D7/309
D739,169 S	* 9/2015	Shao	D7/309
9,161,658 B2	10/2015	Clark et al.	
D742,159 S	11/2015	Doria et al.	
D760,008 S	* 6/2016	Moon	D7/306
D763,613 S	* 8/2016	Han	D7/306
D763,614 S	* 8/2016	Han	D7/306

(Continued)

Primary Examiner — Marianne Pandozzi
(74) *Attorney, Agent, or Firm* — Matthew M. Googe; Robinson IP Law, PLLC

(57) **CLAIM**

The ornamental design for a brewing machine, as shown and described.

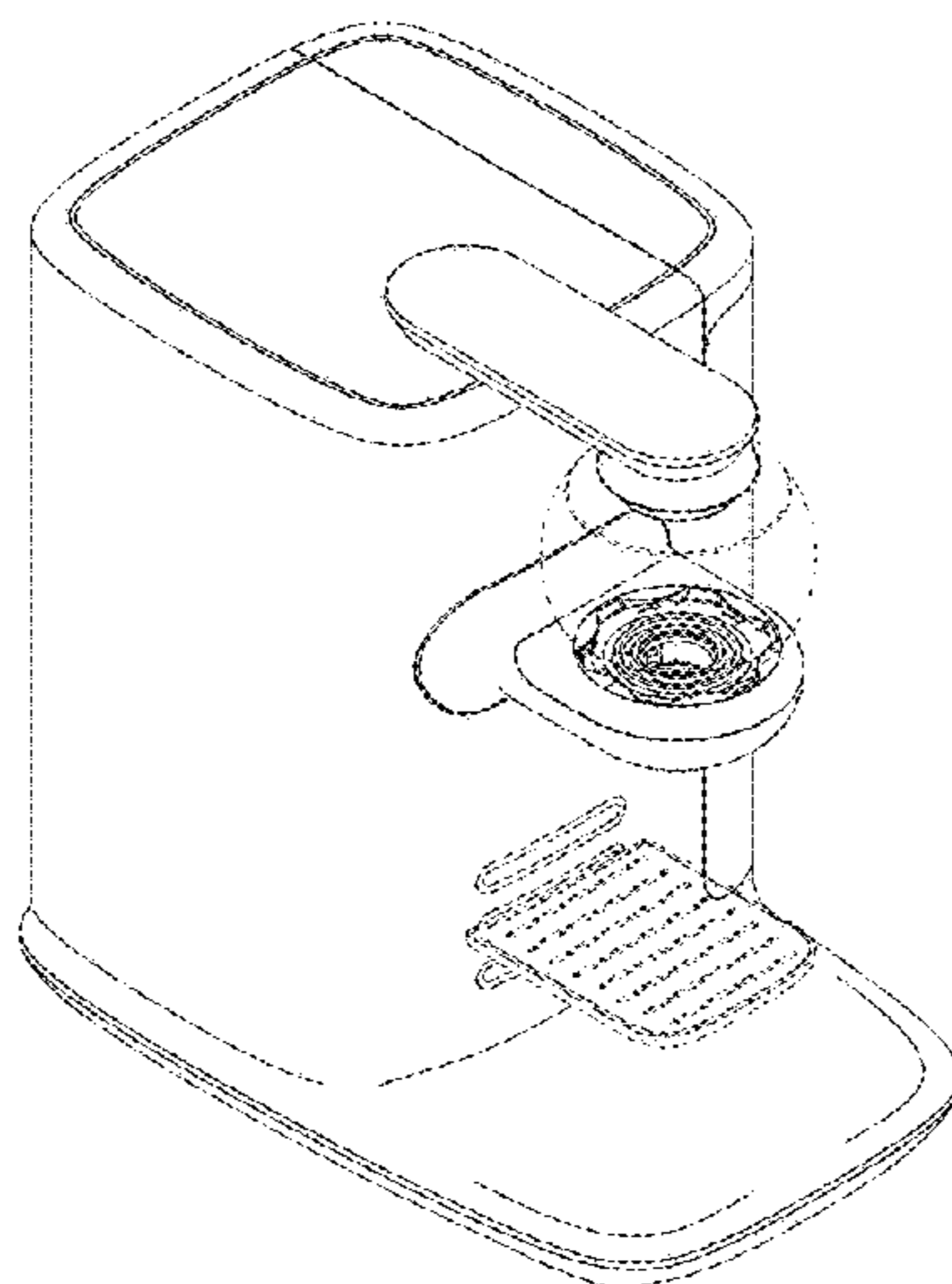
DESCRIPTION

FIG. 1 is a front perspective view of a brewing machine showing our new design;
FIG. 2 is a rear perspective view thereof;
FIG. 3 is a top view thereof;
FIG. 4 is a right side view thereof;
FIG. 5 is a left view thereof;
FIG. 6 is a front view thereof;
FIG. 7 is a rear view thereof; and,
FIG. 8 is an enlarged bottom plan view thereof.
The broken lines in the drawing depict portions of the brewing machine that form no part of the claimed design.

1 Claim, 4 Drawing Sheets

(56) **References Cited**
U.S. PATENT DOCUMENTS

D243,499 S	* 3/1977	Julkenbeck	D7/309
D243,737 S	3/1977	Painter	
D408,208 S	4/1999	Hsu	
D497,075 S	* 10/2004	Lassota	D7/306
D499,926 S	12/2004	Cahen	
D545,608 S	7/2007	Picozza et al.	
D573,392 S	* 7/2008	Smith	D7/306
D589,291 S	* 3/2009	Jerstroem	D7/306
D595,081 S	6/2009	Tan	
D628,007 S	11/2010	Di Bitonto et al.	
D667,674 S	* 9/2012	Wilder	D7/306
D688,904 S	9/2013	Chan	



(56)

References Cited

U.S. PATENT DOCUMENTS

D769,662	S	*	10/2016	Palermo	D7/306
D774,348	S	*	12/2016	Veeravagu	D7/306
D777,499	S	*	1/2017	McConnell	D7/309
D785,392	S	*	5/2017	Palermo	D7/306
D792,731	S	*	7/2017	Palermo	D7/306
D815,871	S	*	4/2018	Gollnick	D7/309
D819,384	S	*	6/2018	Gollnick	D7/309
2013/0004629	A1		1/2013	Clark et al.		
2015/0289712	A1		10/2015	Choi		

* cited by examiner

FIG. 2

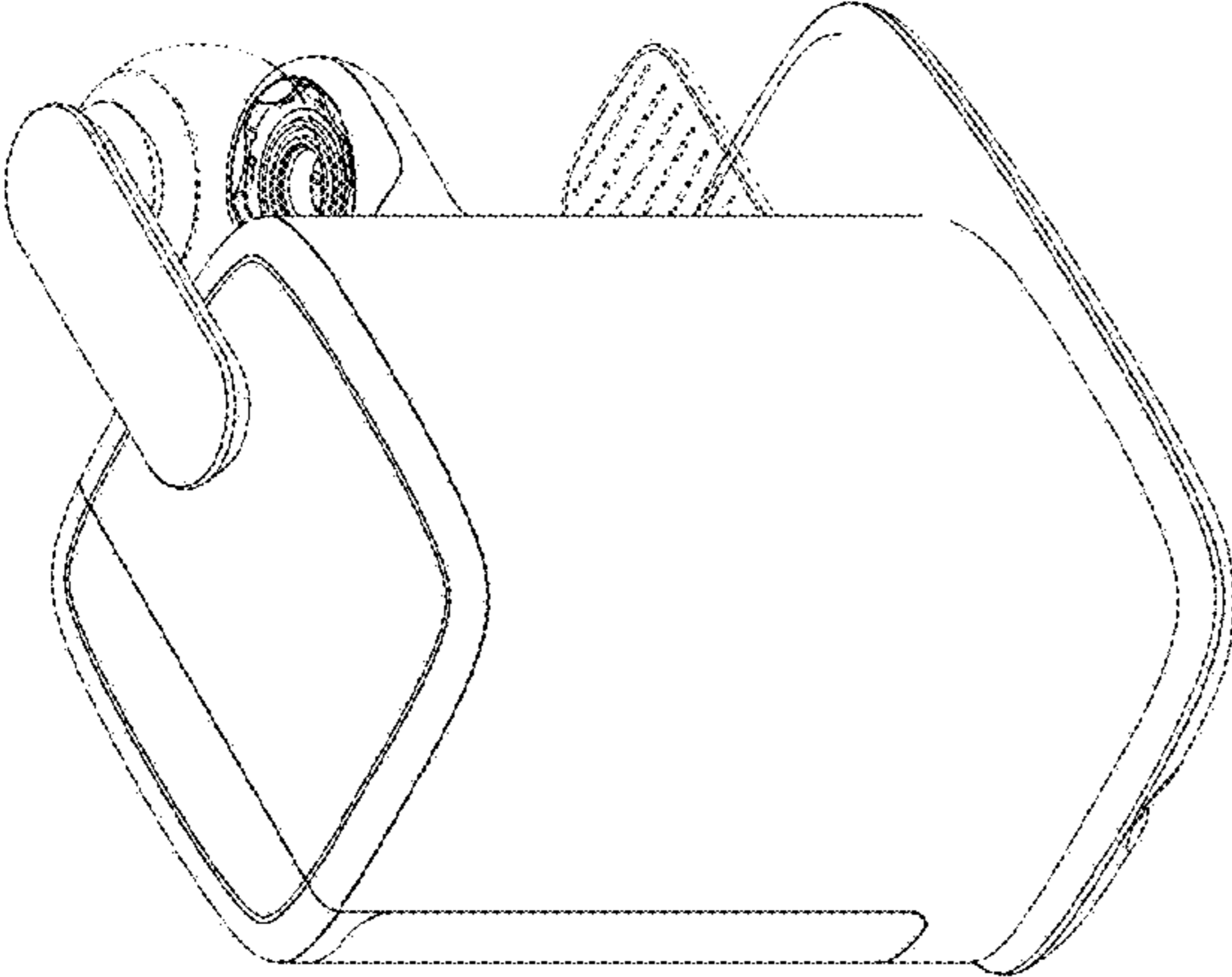


FIG. 1

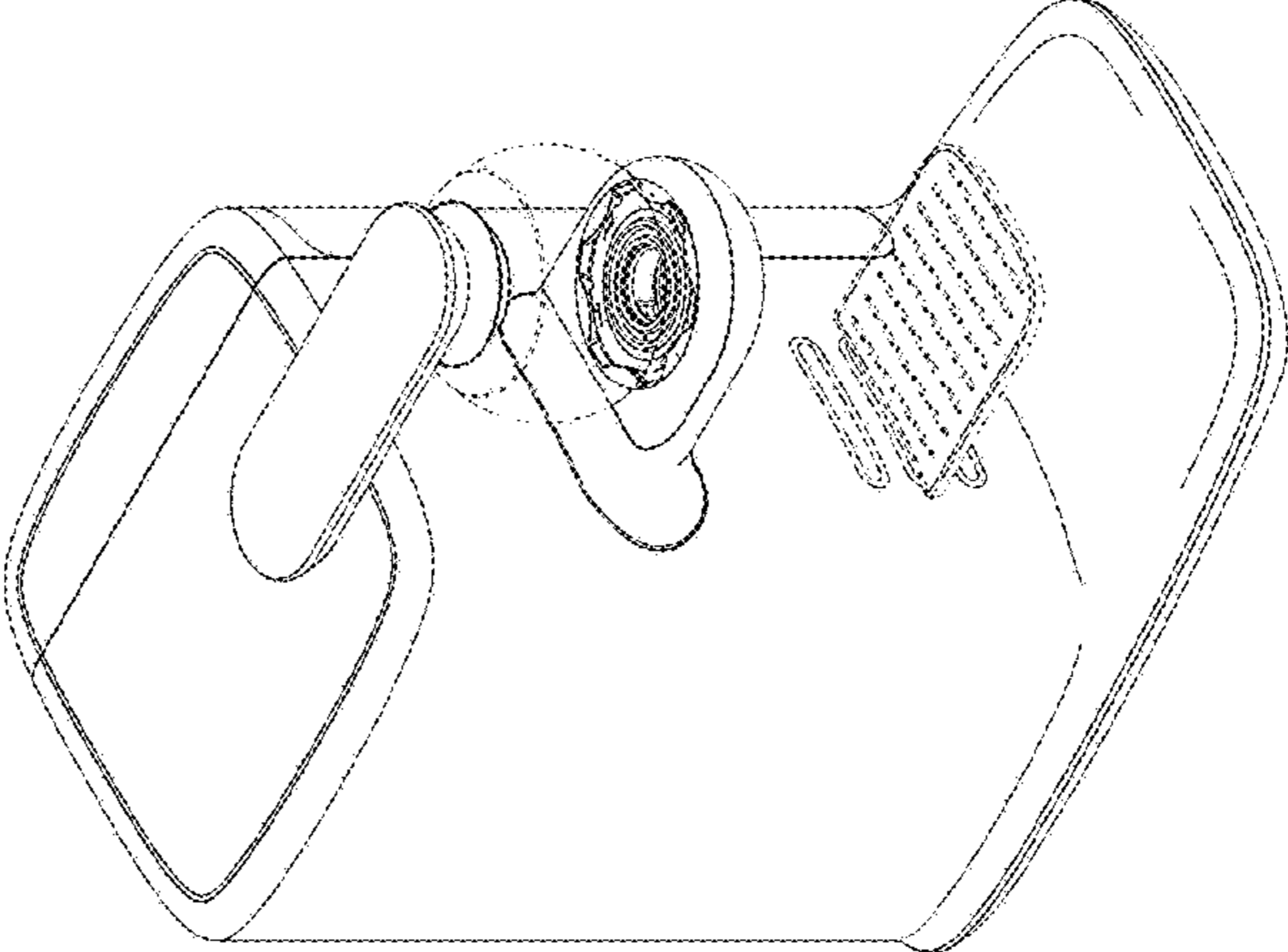


FIG. 3

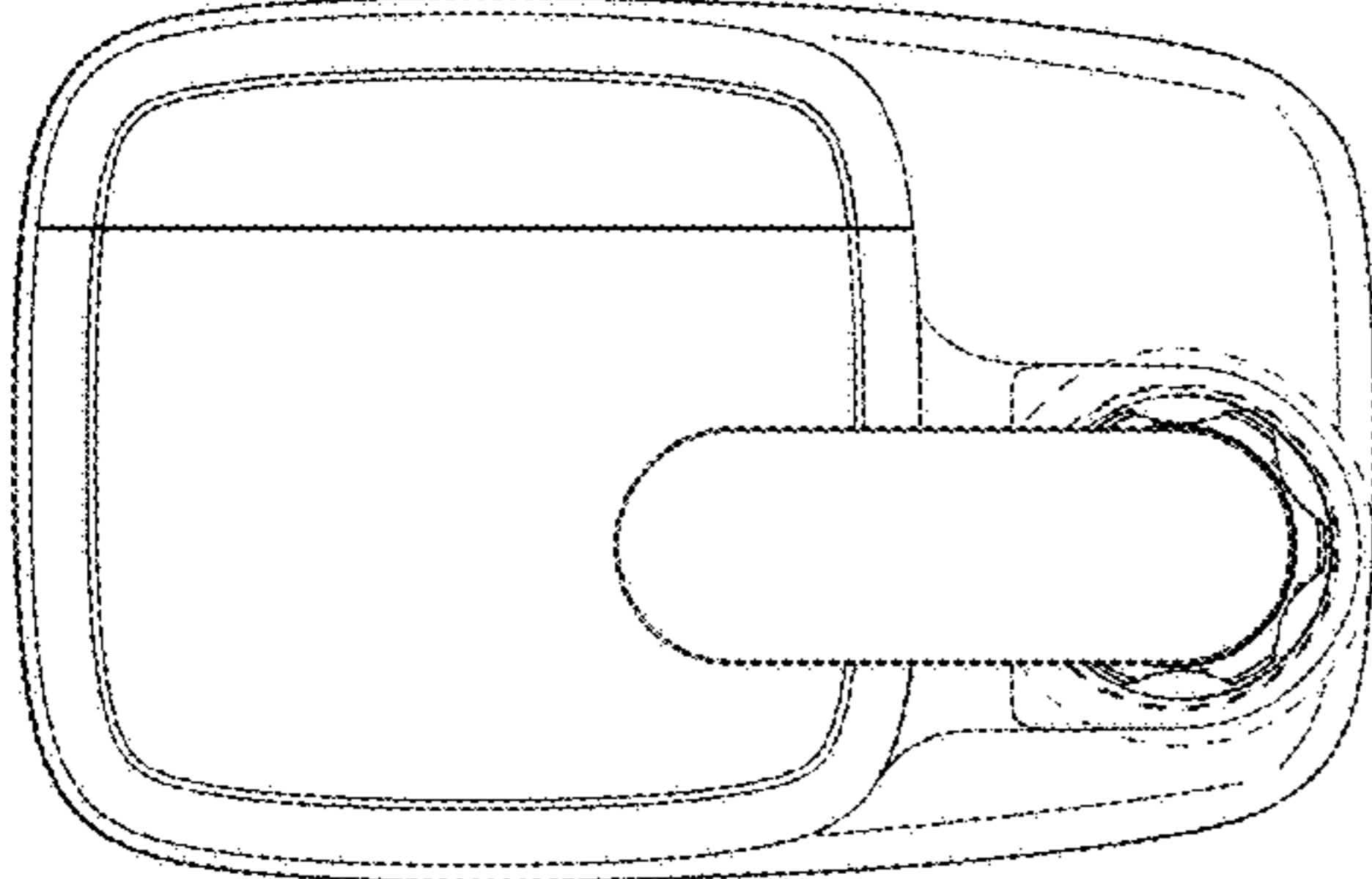


FIG. 5

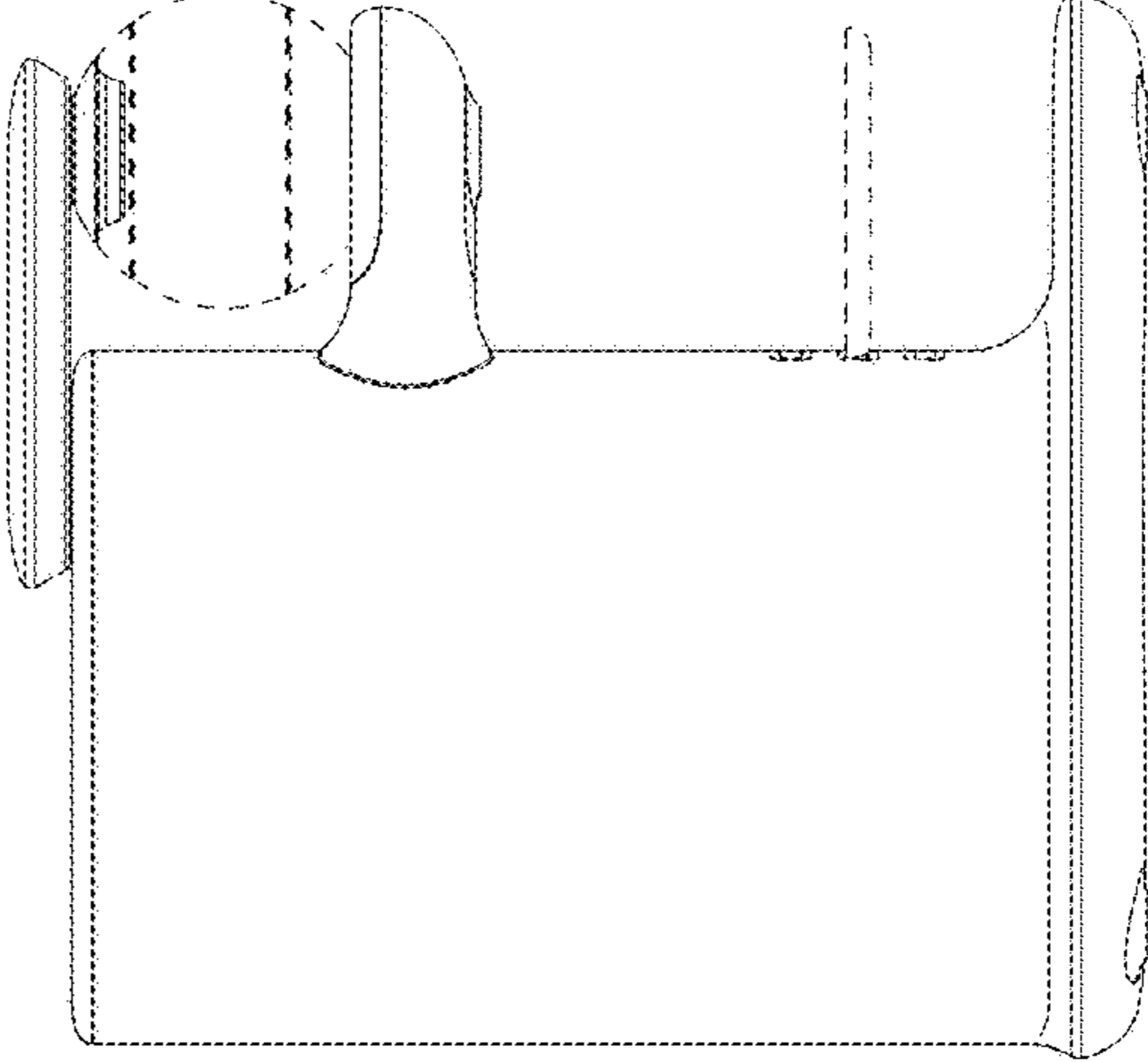


FIG. 4

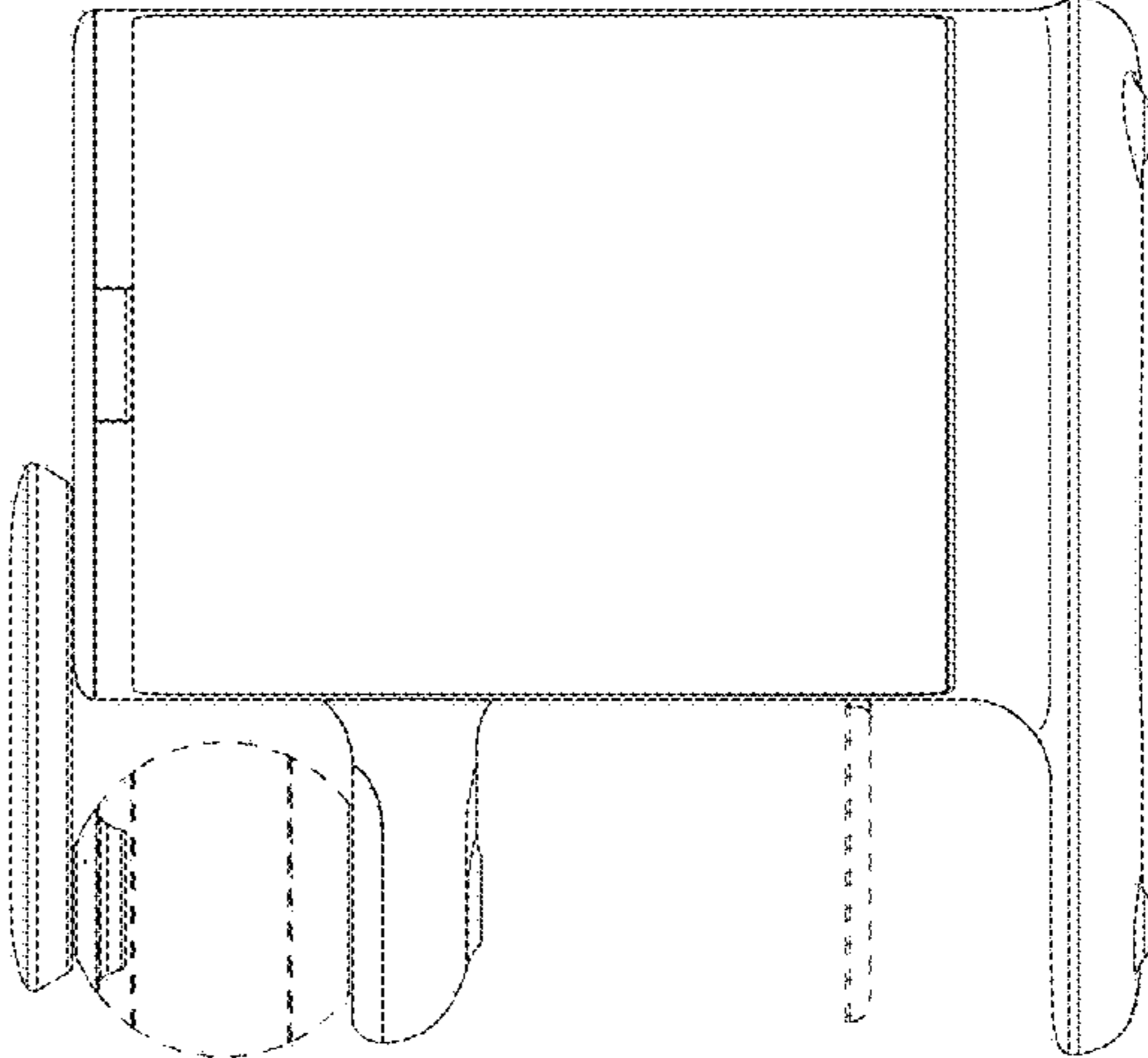


FIG. 6

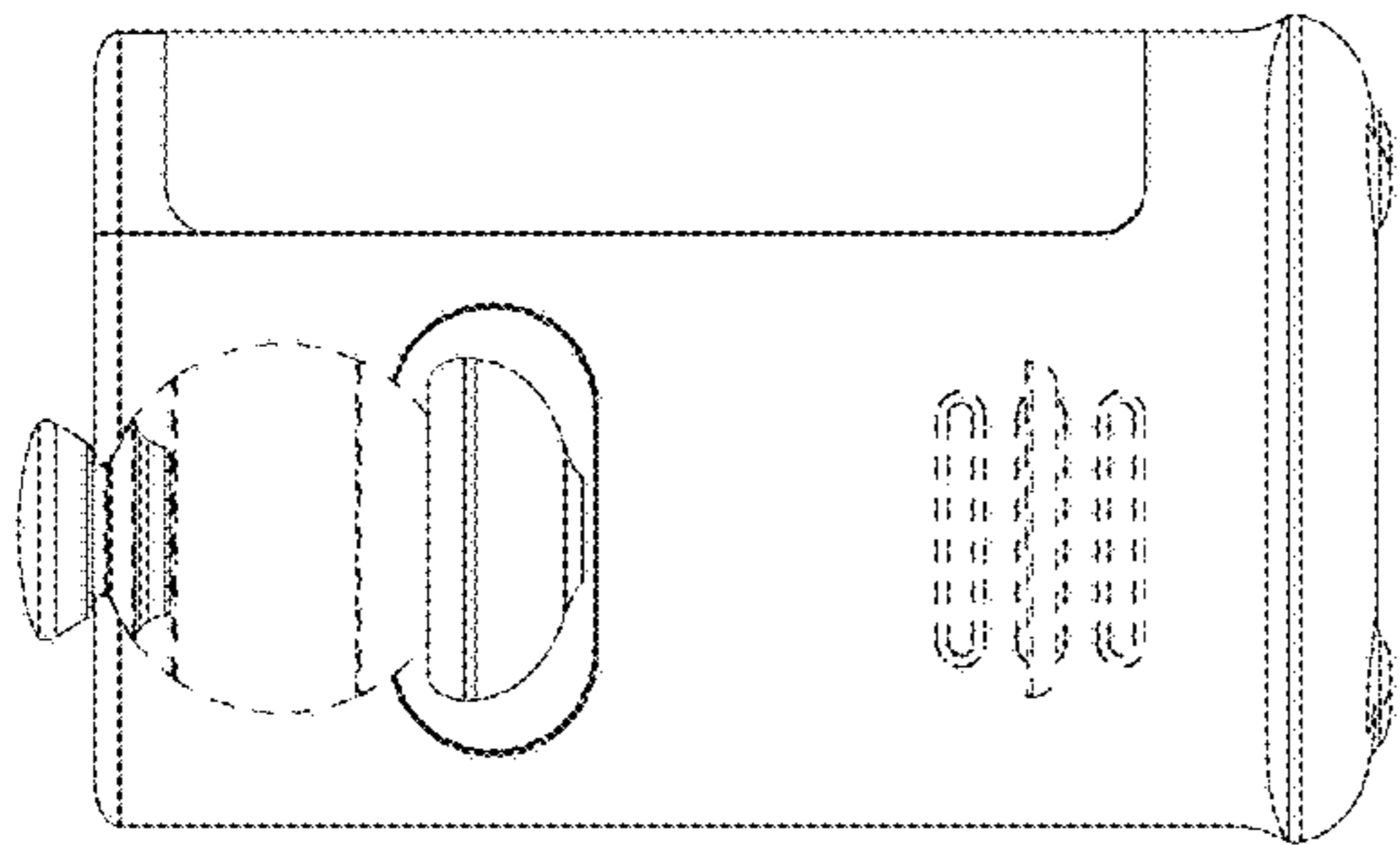


FIG. 7

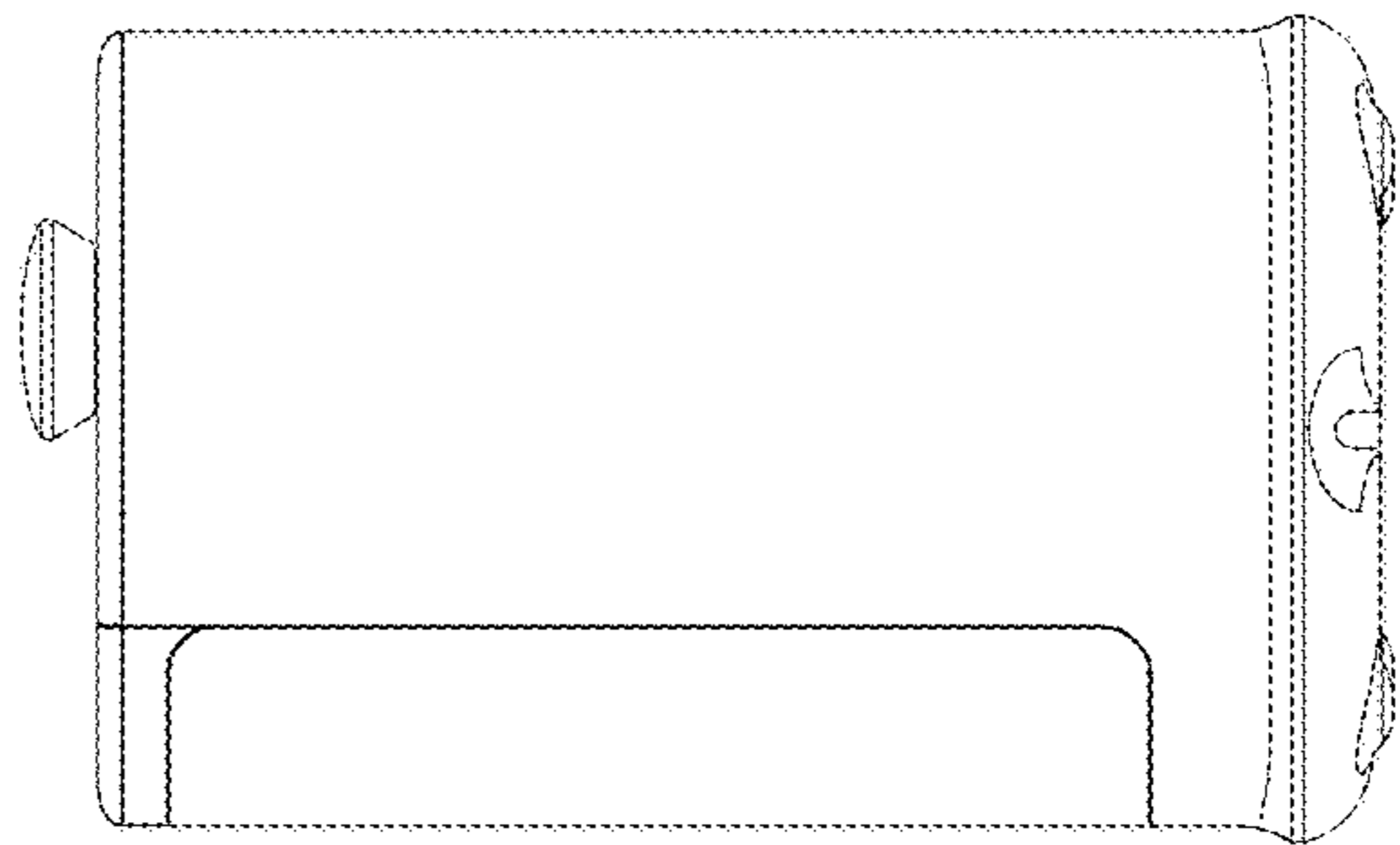


FIG. 8

