



US00D831399S

(12) **United States Design Patent**
Kim et al.

(10) **Patent No.: US D831,399 S**
(45) **Date of Patent: ** Oct. 23, 2018**

(54) **ESPRESSO MACHINE**

FOREIGN PATENT DOCUMENTS

(71) Applicant: **Starbucks Corporation**, Seattle, WA
(US)
(72) Inventors: **Andre Y. Kim**, Seattle, WA (US);
Stephen P. Ostby, Seattle, WA (US);
James J. Altree, Sammamish, WA (US)
(73) Assignee: **Starbucks Corporation**, Seattle, WA
(US)

JP D1538734 11/2015
KR 3007610320000 9/2014
KR 3008112110000 8/2015
TW D178799 10/2016

* cited by examiner

Primary Examiner — Marianne Pandozzi

(74) *Attorney, Agent, or Firm* — Knobbe Martens Olson
& Bear LLP

(**) Term: **15 Years**

(21) Appl. No.: **29/595,736**

(22) Filed: **Mar. 1, 2017**

(51) **LOC (11) Cl.** **07-01**

(52) **U.S. Cl.**
USPC **D7/309; D7/311**

(58) **Field of Classification Search**
USPC D7/306–311, 397, 399, 305, 373;
99/295; D20/1, 4; D15/80
CPC A47J 31/3614; A47J 31/4403; A47J 31/46
See application file for complete search history.

(56) **References Cited**

U.S. PATENT DOCUMENTS

D191,114 S * 8/1961 Boseman D22/141
D300,295 S * 3/1989 Cortese D7/305
D505,821 S * 6/2005 Liebe D7/305
D807,098 S * 1/2018 De' Longhi D7/309
D807,100 S * 1/2018 De' Longhi D7/309
D807,101 S * 1/2018 De' Longhi D7/309
D807,675 S * 1/2018 De' Longhi D7/309

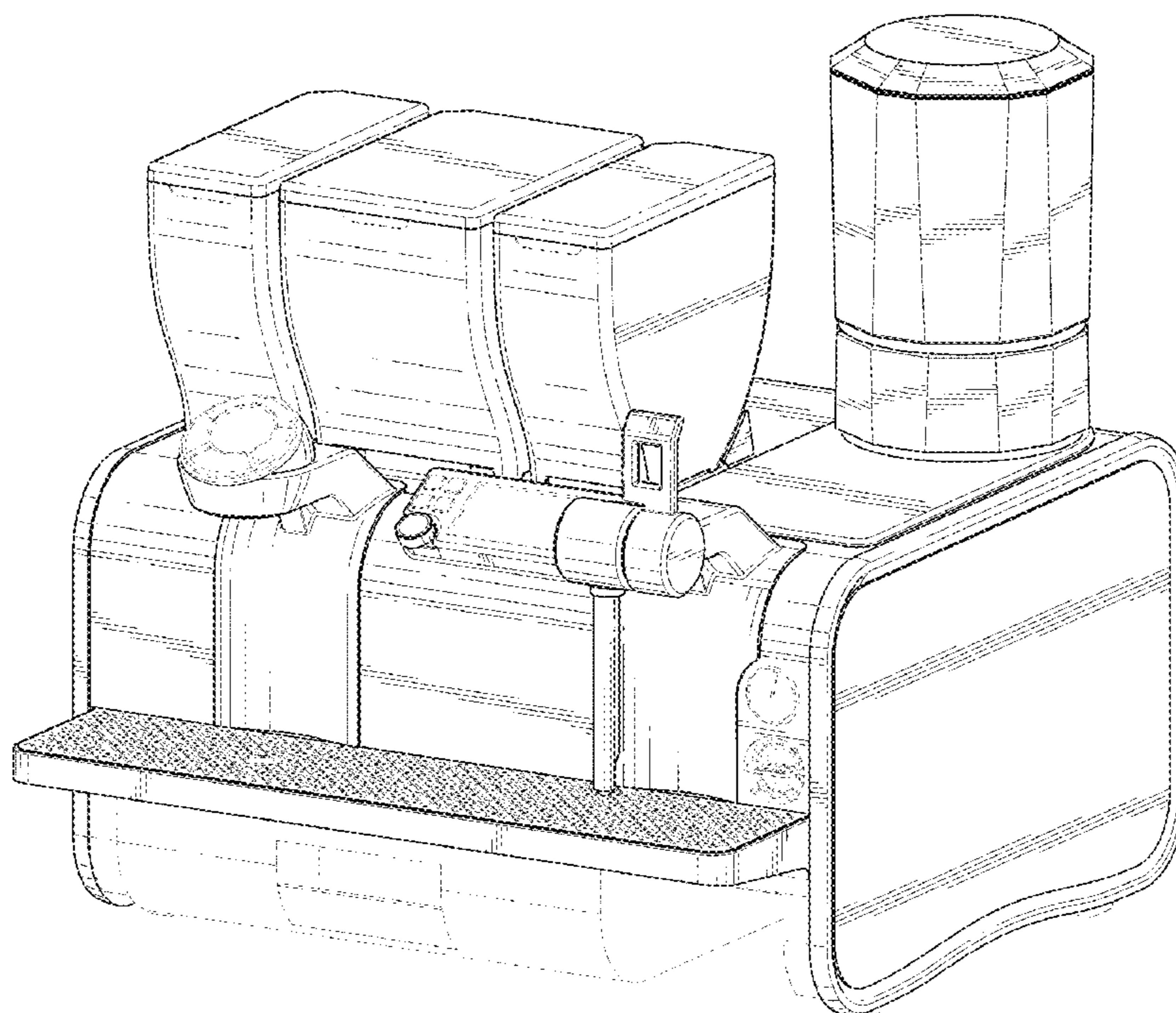
(57) **CLAIM**

We claim the ornamental design for an espresso machine, as shown and described.

DESCRIPTION

FIG. 1 is a top, front, and left side perspective view of our design;
FIG. 2 is a rear, bottom, and right side perspective view thereof;
FIG. 3 is a front view thereof;
FIG. 4 is a rear view thereof;
FIG. 5 is a right side view thereof;
FIG. 6 is a left side view thereof;
FIG. 7 is a top view thereof; and,
FIG. 8 is a bottom view thereof.
The broken lines shown in the figures represent portions of the espresso machine that form no part of the claimed design.

1 Claim, 8 Drawing Sheets



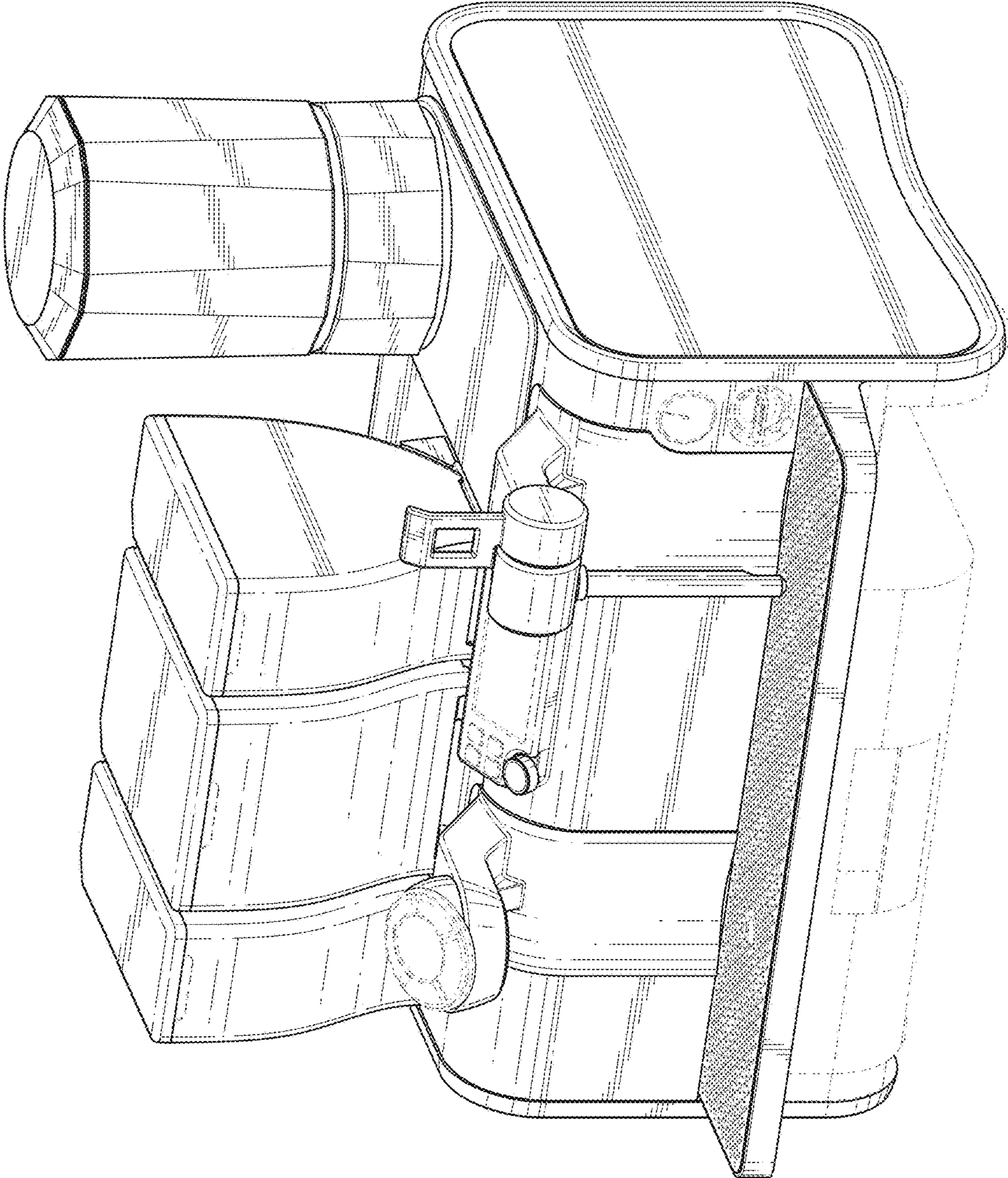


Fig. 1

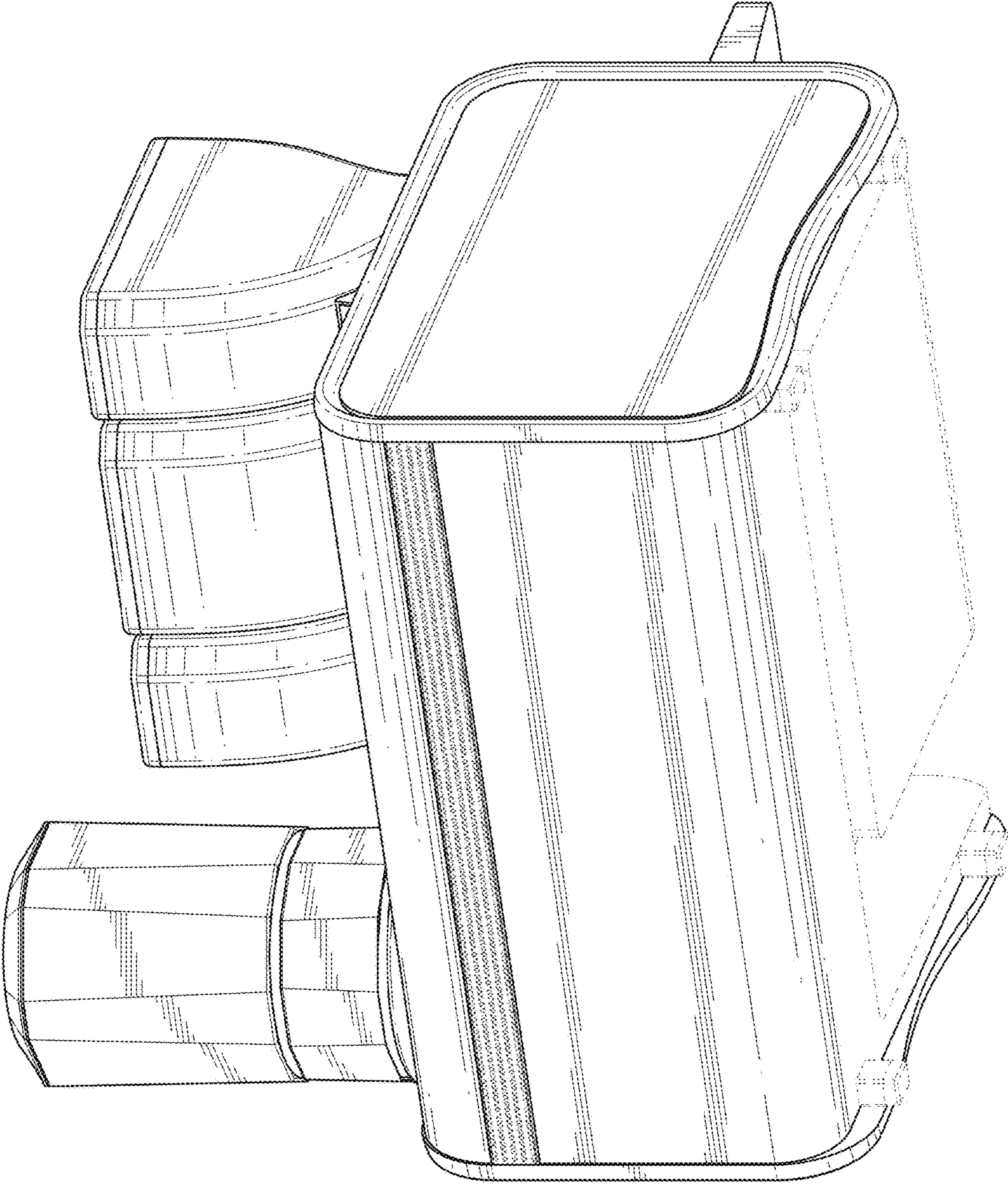


Fig. 2

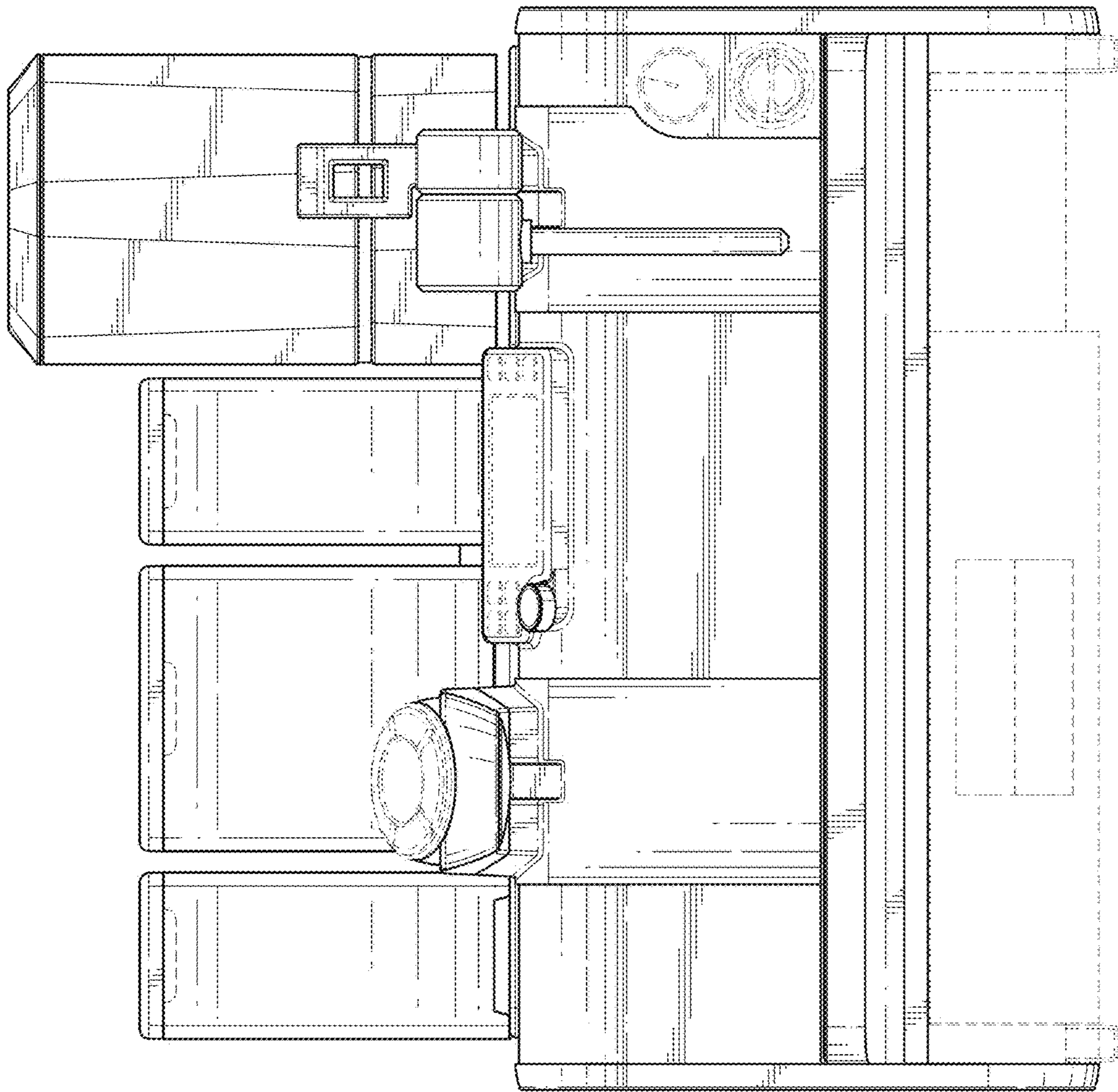


Fig. 3

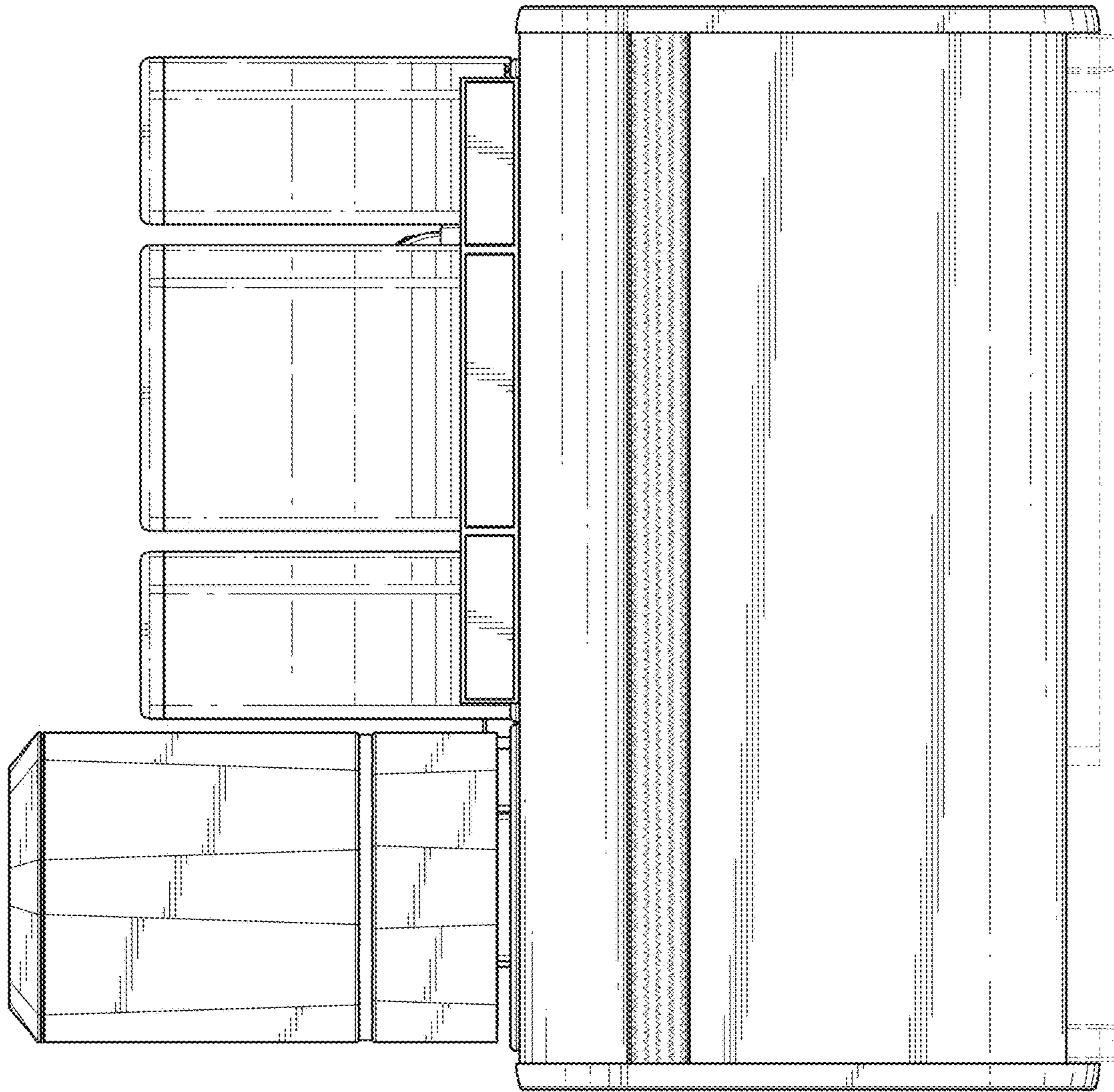


Fig. 4

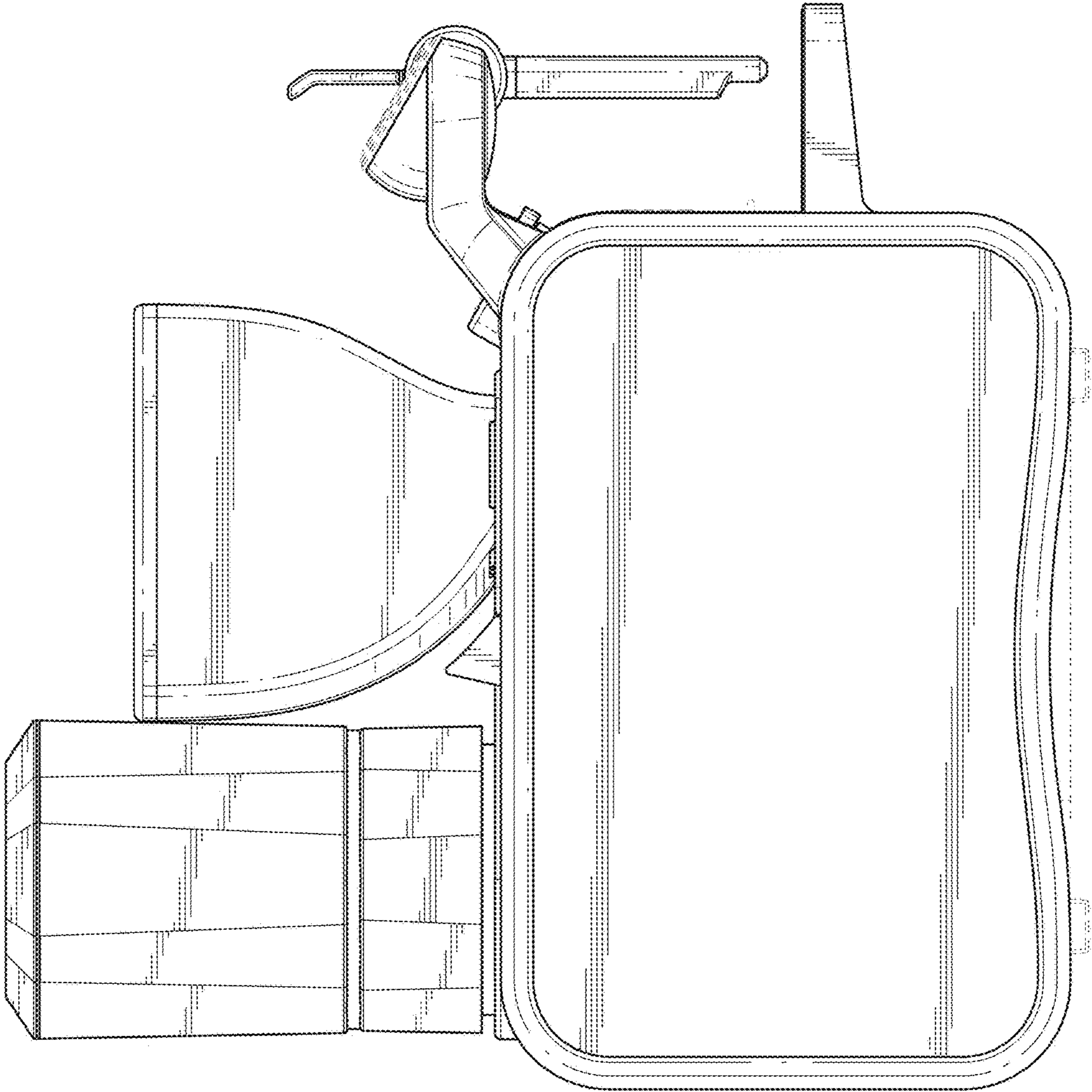


Fig. 5

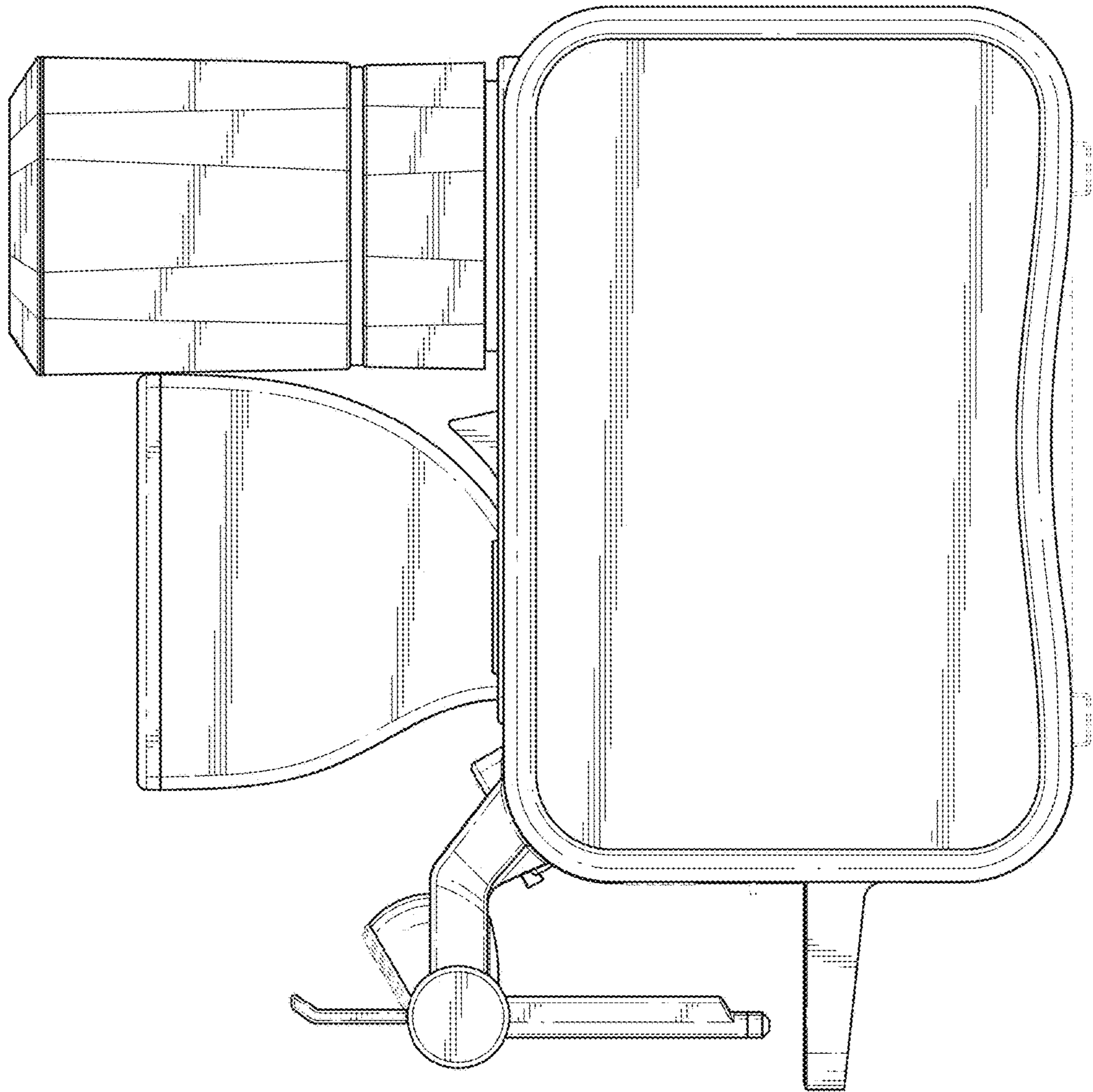


Fig. 6

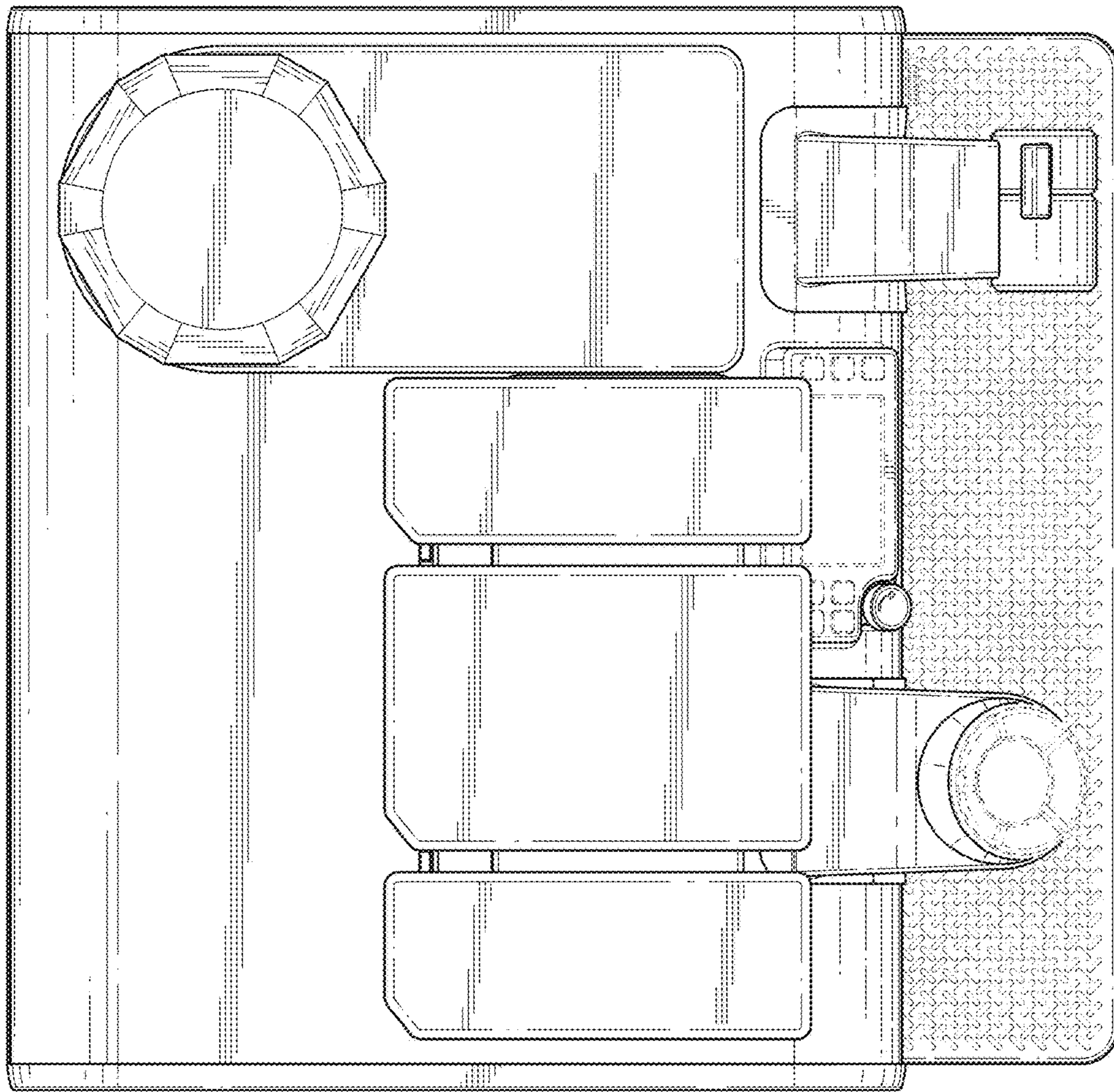


Fig. 7

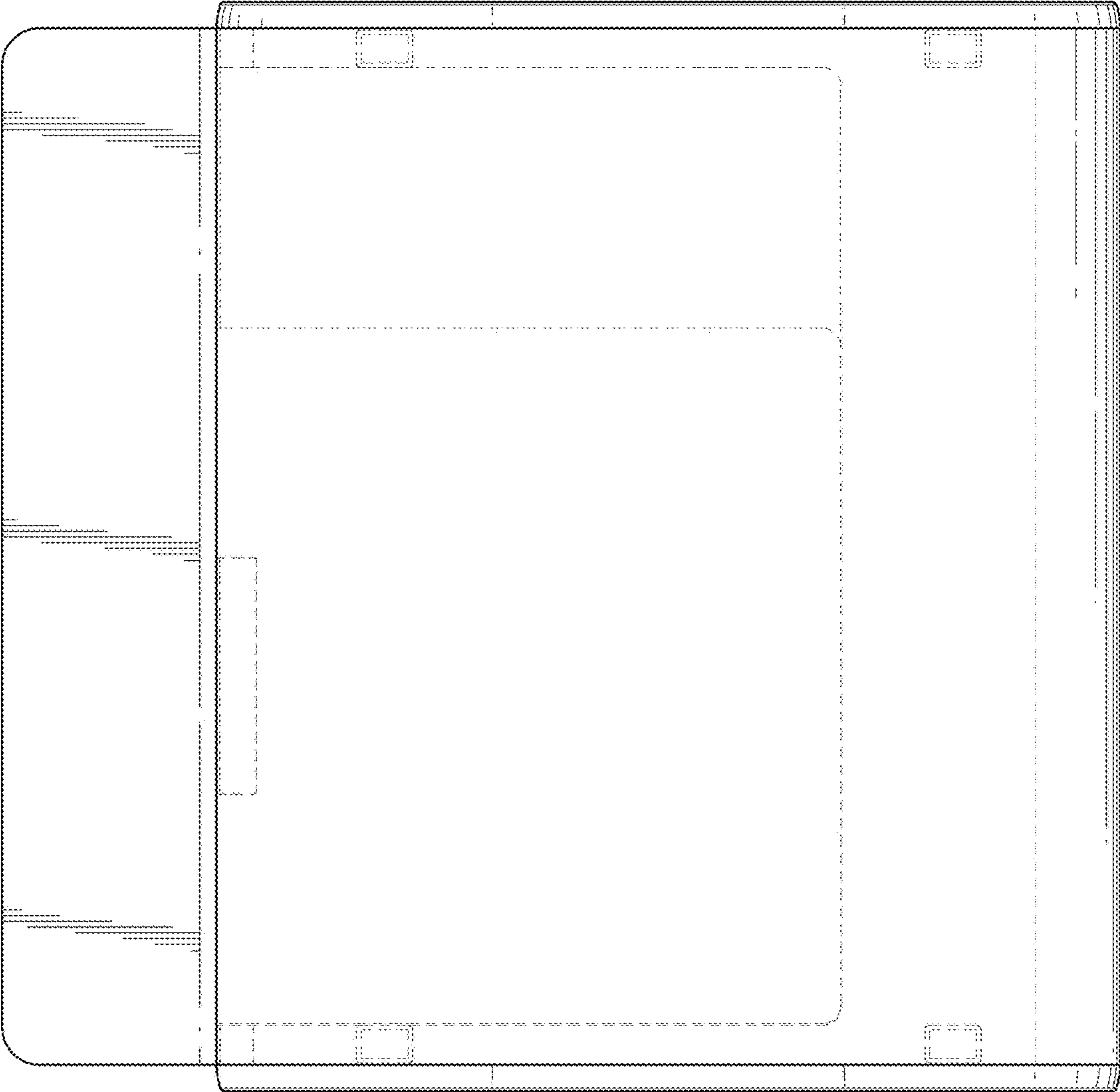


Fig. 8