



US00D831398S

(12) **United States Design Patent** (10) **Patent No.:** **US D831,398 S**
Cahen (45) **Date of Patent:** **** Oct. 23, 2018**

(54) **BEVERAGE DISPENSER**
(71) Applicant: **Société des Produits Nestlé S.A.,**
Vevey (CH)
(72) Inventor: **Antoine Cahen,** Lausanne (CH)
(73) Assignee: **Société des Produits Nestlé S.A.,**
Vevey (CH)
(**) Term: **15 Years**
(21) Appl. No.: **29/596,171**
(22) Filed: **Mar. 6, 2017**
(30) **Foreign Application Priority Data**
Sep. 6, 2016 (CH) 142596
(51) **LOC (11) Cl.** **07-01**
(52) **U.S. Cl.**
USPC **D7/306; D7/311; D7/309**
(58) **Field of Classification Search**
USPC D7/304, 300, 312, 306-311; D23/201;
D30/131, 129; 239/29, 28
CPC A23L 2/54; B01F 3/04801; A47J 31/4403
See application file for complete search history.

(56) **References Cited**
U.S. PATENT DOCUMENTS
D595,992 S * 7/2009 Clark D7/309
D596,441 S * 7/2009 Cahen D7/309
D602,303 S * 10/2009 Cahen D7/309
D644,058 S * 8/2011 Cahen D7/306
D649,392 S * 11/2011 Cahen D7/306
D666,051 S * 8/2012 de Pra D7/309
D666,451 S * 9/2012 Cheng D7/309
D674,233 S * 1/2013 Lavy D7/309
8,479,640 B2 * 7/2013 Gavillet A47J 31/3628
99/295
D690,150 S * 9/2013 Cahen D7/309

D695,054 S * 12/2013 De Pra D7/309
D695,560 S * 12/2013 Cahen D7/309
D696,888 S * 1/2014 Cahen D7/309
D714,088 S * 9/2014 Cahen D7/309
D724,369 S * 3/2015 Cahen D7/309
D726,478 S * 4/2015 Cahen D7/306
D726,481 S * 4/2015 Cahen D7/309
D728,987 S * 5/2015 Cahen D7/309
D755,000 S * 5/2016 Lovati D7/306
D777,498 S * 1/2017 Bandixen D7/306
D779,257 S * 2/2017 Hale D7/306
D792,730 S * 7/2017 Ench D7/306
D796,885 S * 9/2017 Wang D7/306
D817,061 S * 5/2018 Lissoni D7/309
2010/0251900 A1 * 10/2010 Cahen A47J 31/44
99/295
2010/0263543 A1 * 10/2010 Krauchi A47J 31/4403
99/280
2011/0041696 A1 * 2/2011 Aemisegger A47J 31/3623
99/281

(Continued)

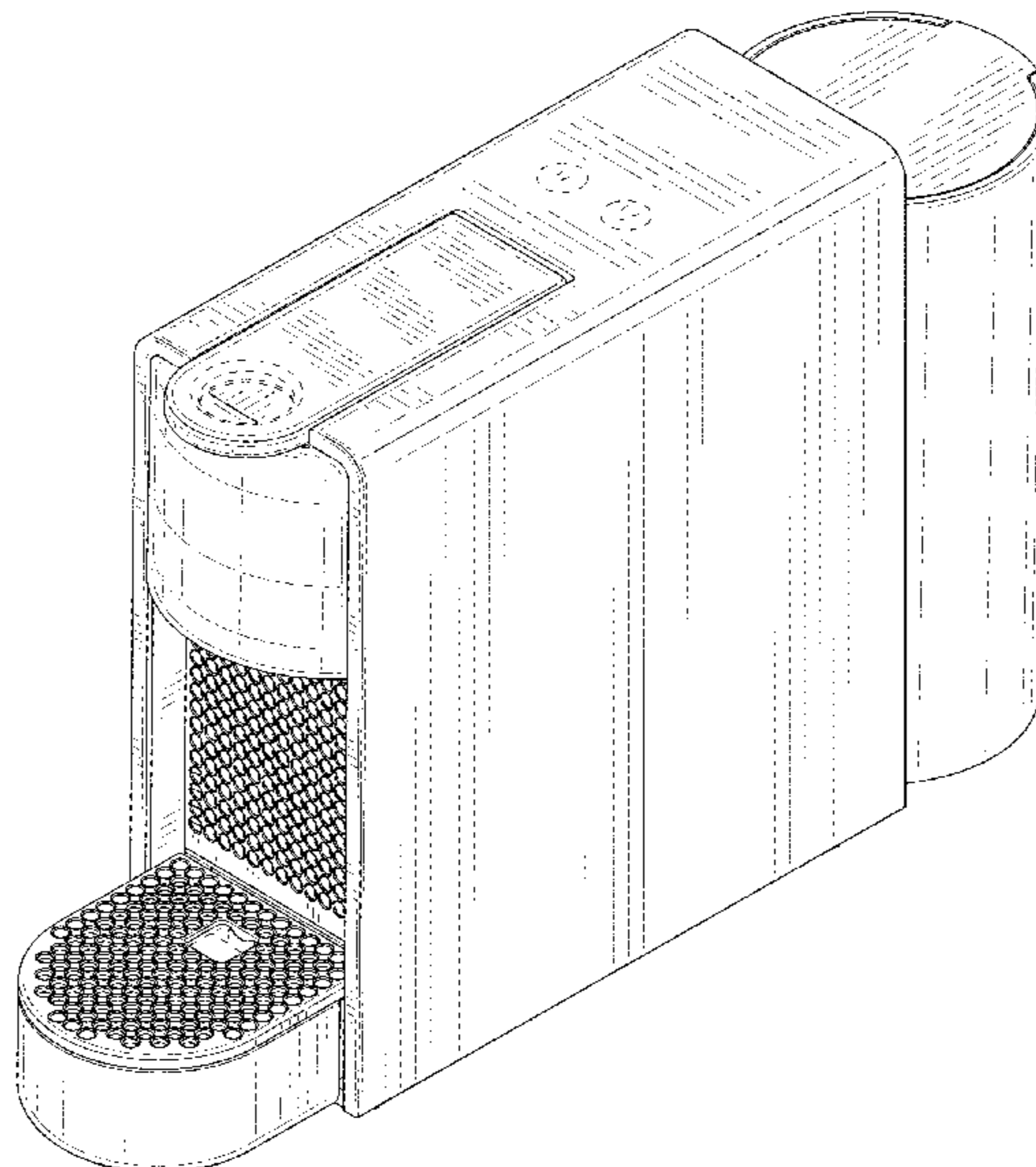
Primary Examiner — Marianne Pandozzi
(74) *Attorney, Agent, or Firm* — Finnegan, Henderson,
Farabow, Garrett & Dunner LLP

(57) **CLAIM**
The ornamental design for a beverage dispenser, as shown
and described.

DESCRIPTION

FIG. 1 is a top, front, right perspective view of a beverage
dispenser showing my new design;
FIG. 2 is a front elevational view thereof;
FIG. 3 is a rear elevational view thereof;
FIG. 4 is a left side view thereof;
FIG. 5 is a right side view thereof;
FIG. 6 is a top plan view thereof; and,
FIG. 7 is a bottom plan view thereof.
The portions depicted in broken lines of even length form no
part of the claimed design.

1 Claim, 7 Drawing Sheets



(56)

References Cited

U.S. PATENT DOCUMENTS

2012/0285331 A1* 11/2012 Mori A47J 31/44
99/285
2013/0025465 A1* 1/2013 Schnyder A47J 31/44
99/289 R
2013/0112085 A1* 5/2013 Turchi A47J 31/4489
99/300
2013/0213238 A1* 8/2013 Cahen A47J 31/4485
99/289 R

* cited by examiner

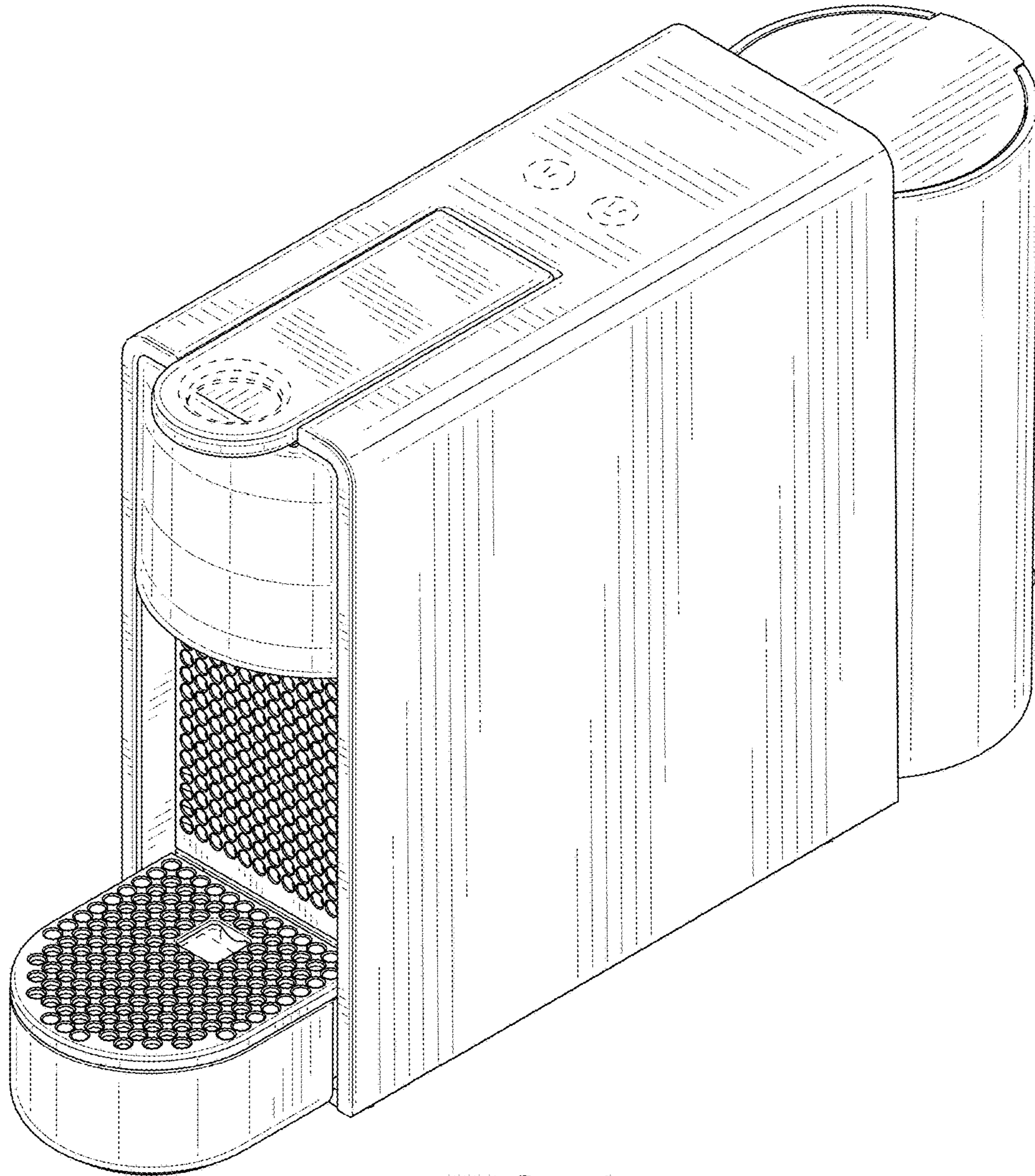


FIG. 1

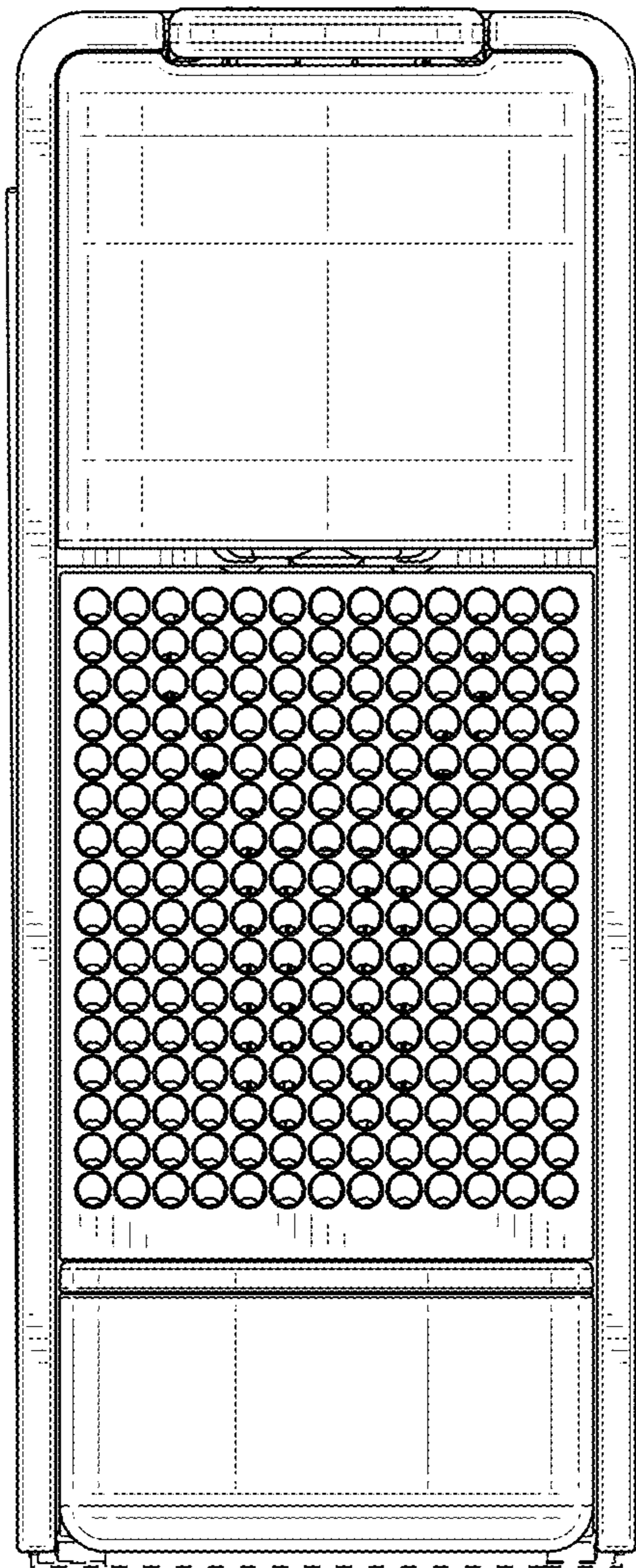


FIG. 2

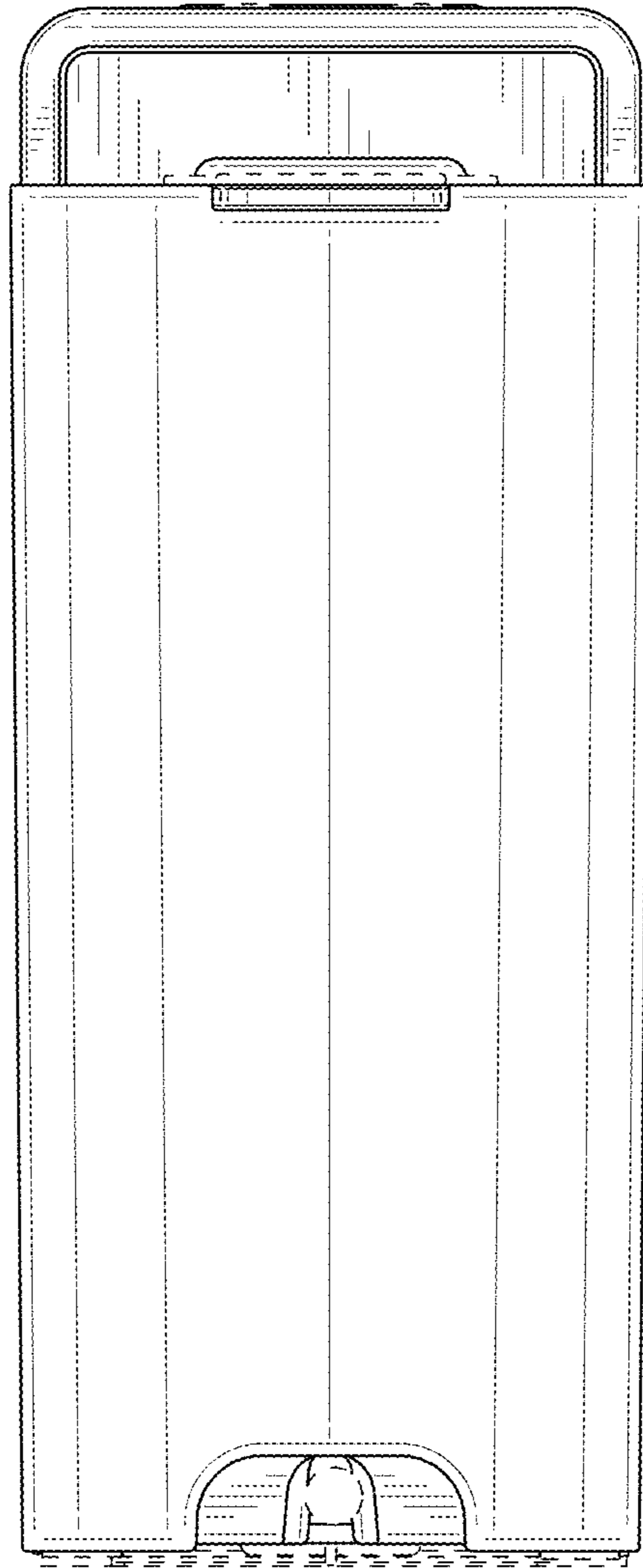


FIG. 3

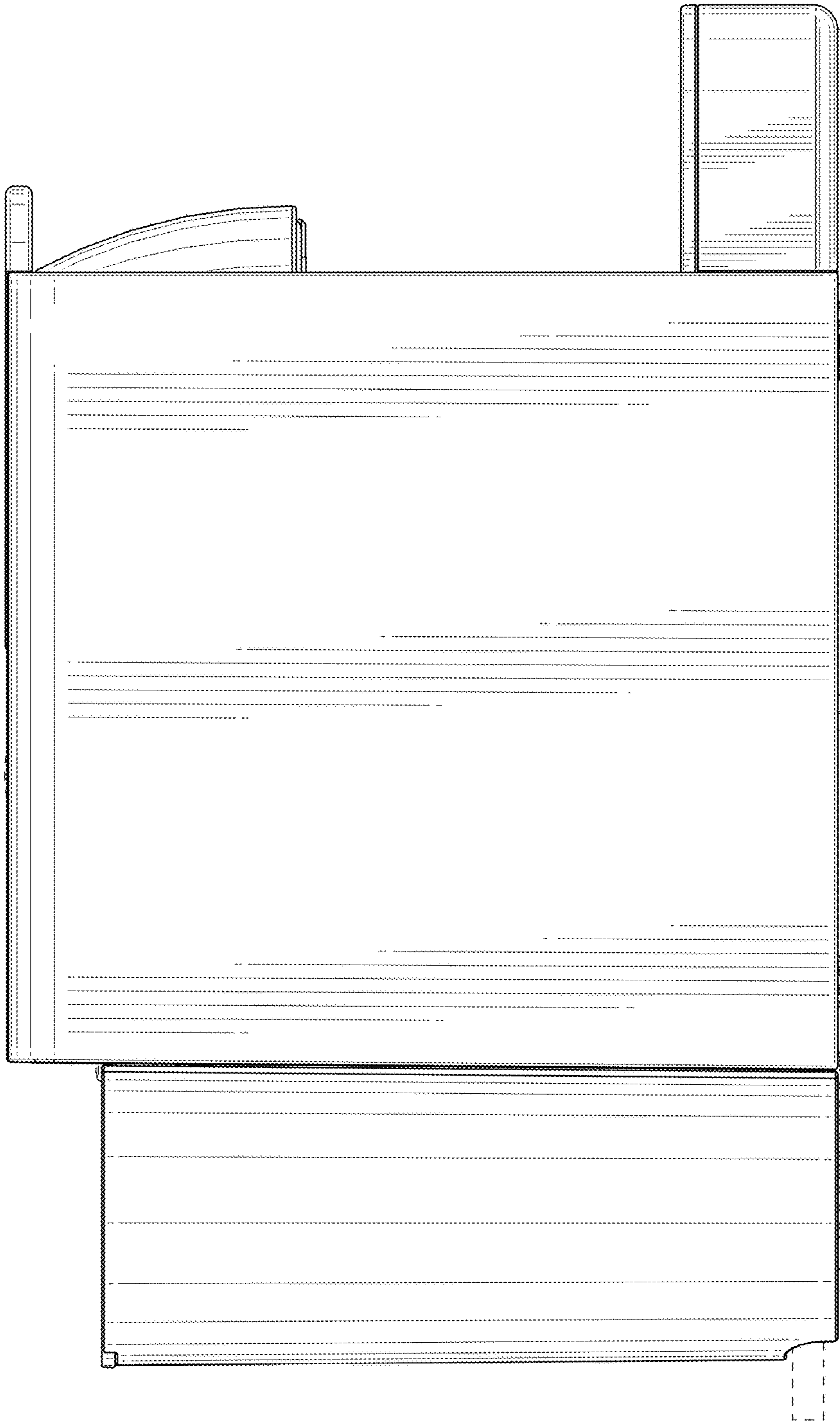


FIG. 4

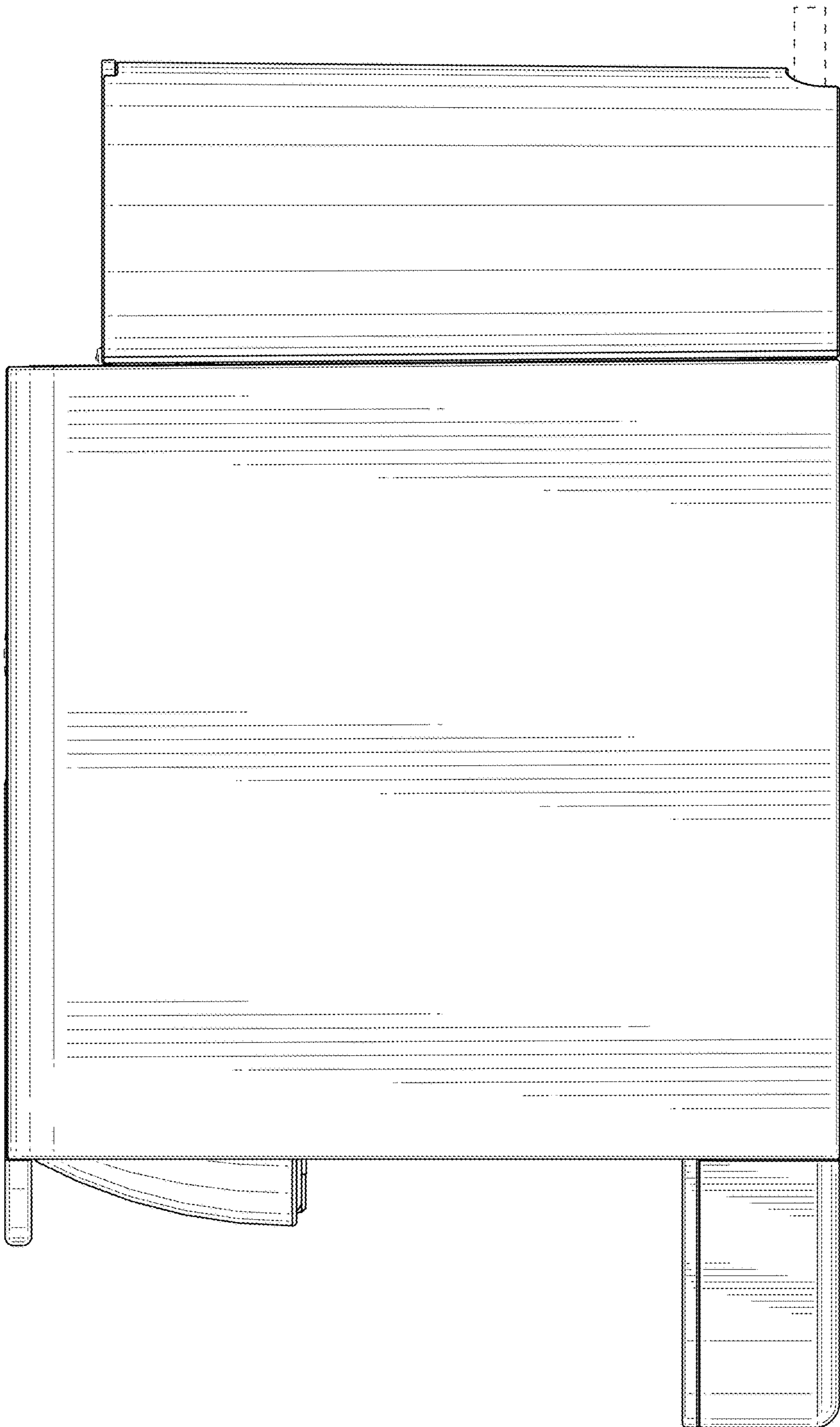


FIG. 5

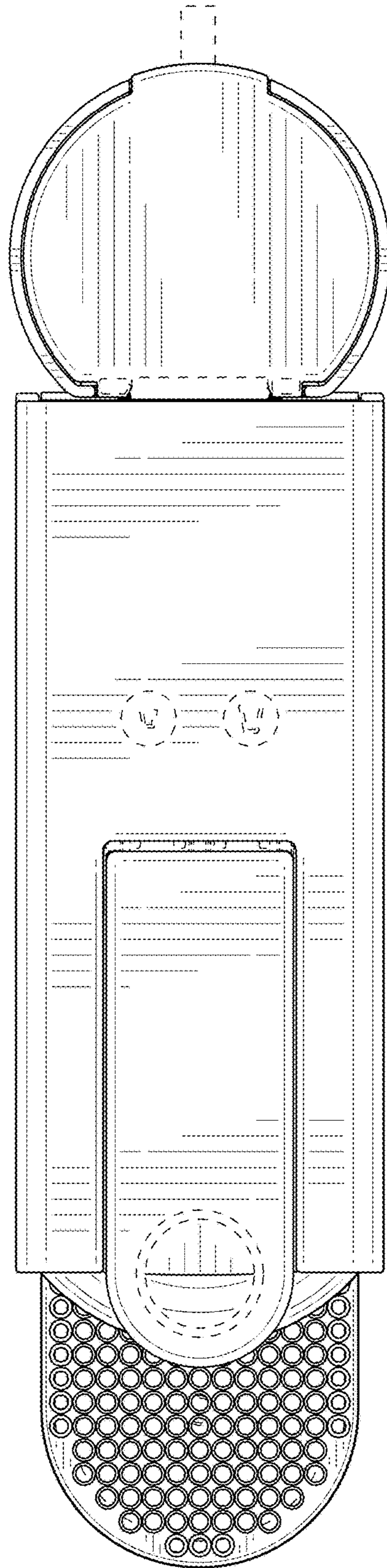


FIG. 6

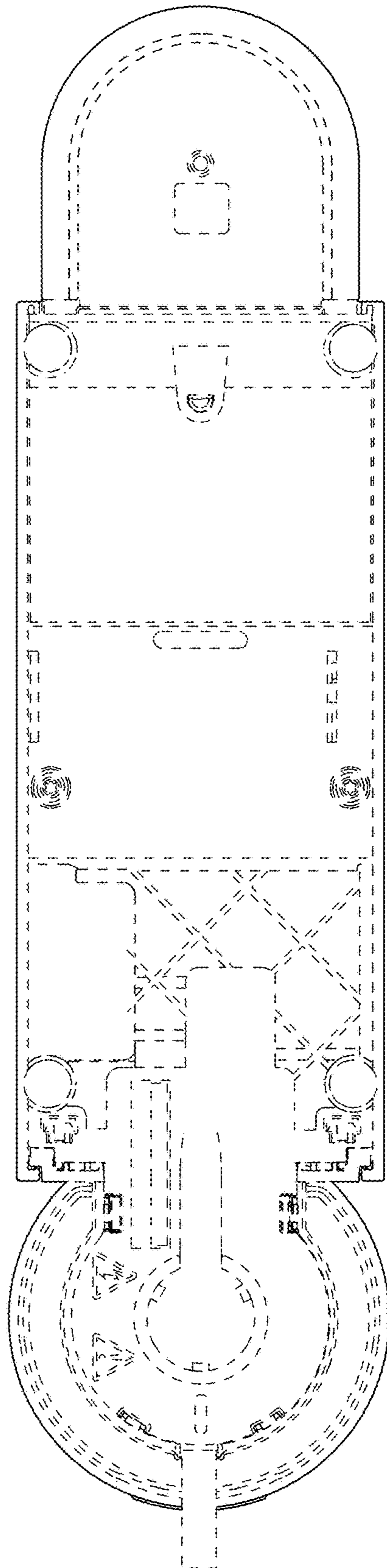


FIG. 7