

US00D831396S

(12) **United States Design Patent** (10) **Patent No.:** **US D831,396 S**
Yoon (45) **Date of Patent:** **** Oct. 23, 2018**

(54) **PORTABLE COFFEE EXTRACTOR**
(71) Applicant: **BEANSCORP Co., Ltd**, Gwangju-si (KR)
(72) Inventor: **Han Sang Yoon**, Seoul (KR)
(73) Assignee: **BEANSCORP CO., LTD**, Gwangju-si (KR)
(**) Term: **15 Years**

3,411,431 A * 11/1968 Moerlini A23F 5/105
99/304
D272,308 S * 1/1984 Schlessel D7/300
5,082,676 A * 1/1992 Love B65D 85/8043
426/112
D499,598 S * 12/2004 Guadalupi D7/306
D695,064 S * 12/2013 Seymour D7/300
D728,294 S * 5/2015 Huang D7/305
2012/0260806 A1* 10/2012 Rolfes A47J 31/38
99/285
2014/0076174 A1* 3/2014 Vernaglia A47J 36/10
99/324
2016/0296057 A1* 10/2016 Kim A47J 31/005

(21) Appl. No.: **29/602,146**
(22) Filed: **Apr. 28, 2017**
(51) **LOC (11) Cl.** **07-01**
(52) **U.S. Cl.**
USPC **D7/300; D7/400; D7/399**
(58) **Field of Classification Search**
USPC D7/507, 397, 399, 400, 306, 300, 313;
99/295
CPC .. A47J 31/44; A47J 31/02; A47J 31/16; A47J
31/005; B65D 85/8043
See application file for complete search history.

* cited by examiner

Primary Examiner — Marianne Pandozzi
(74) *Attorney, Agent, or Firm* — Cantor Colburn LLP

(57) **CLAIM**
The ornamental design for a combination cold brew maker and insulating drinking container, as shown and described.

DESCRIPTION

FIG. 1 is a perspective view of a portable coffee extractor showing my new design;
FIG. 2 is a front elevational view thereof;
FIG. 3 is a rear elevational view thereof;
FIG. 4 is a left side elevational view thereof;
FIG. 5 is a right side elevational view thereof;
FIG. 6 is a top plan view thereof; and,
FIG. 7 is a bottom plan view thereof.
The broken lines in the drawing depict portions of the combination cold brew coffee maker and insulating drinking container that form no part of the claimed design.

(56) **References Cited**
U.S. PATENT DOCUMENTS
2,358,556 A * 9/1944 Block A47J 31/02
210/455
3,063,359 A * 11/1962 Brant A47J 31/02
99/287
D203,834 S * 2/1966 Davis D13/110
3,334,574 A * 8/1967 Douglas A47J 31/02
210/455

1 Claim, 7 Drawing Sheets

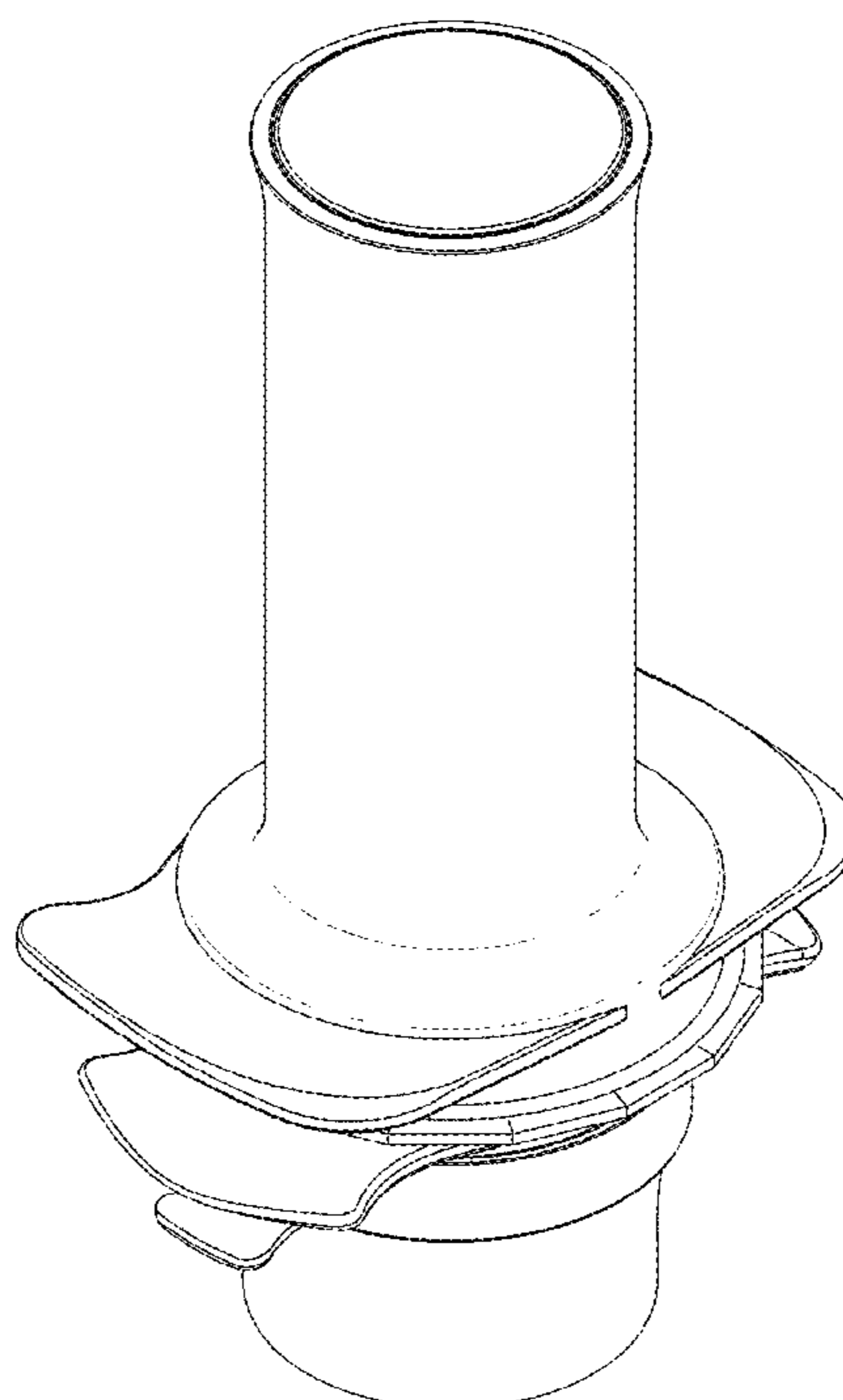


FIG. 1

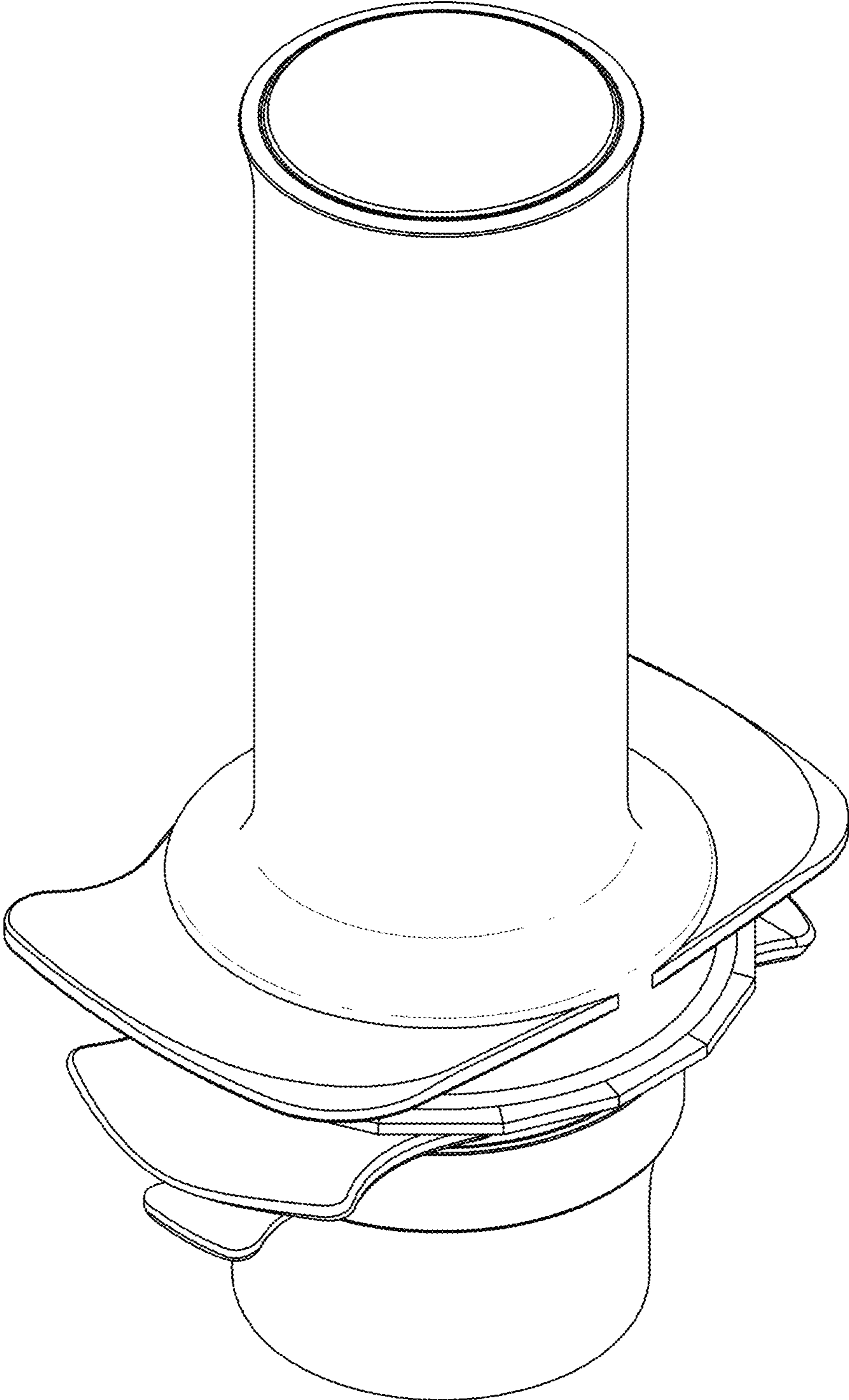


FIG. 2

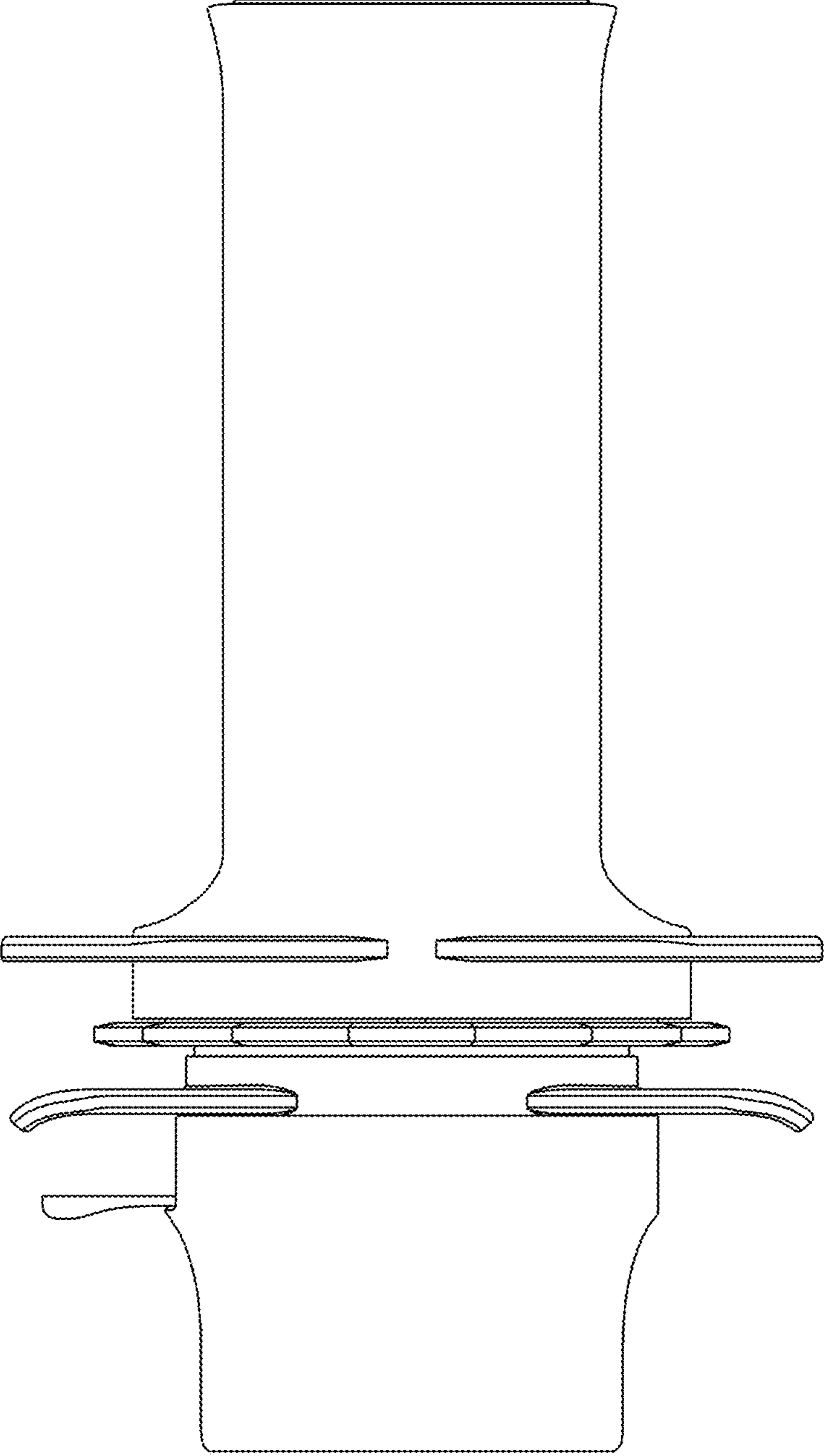


FIG. 3

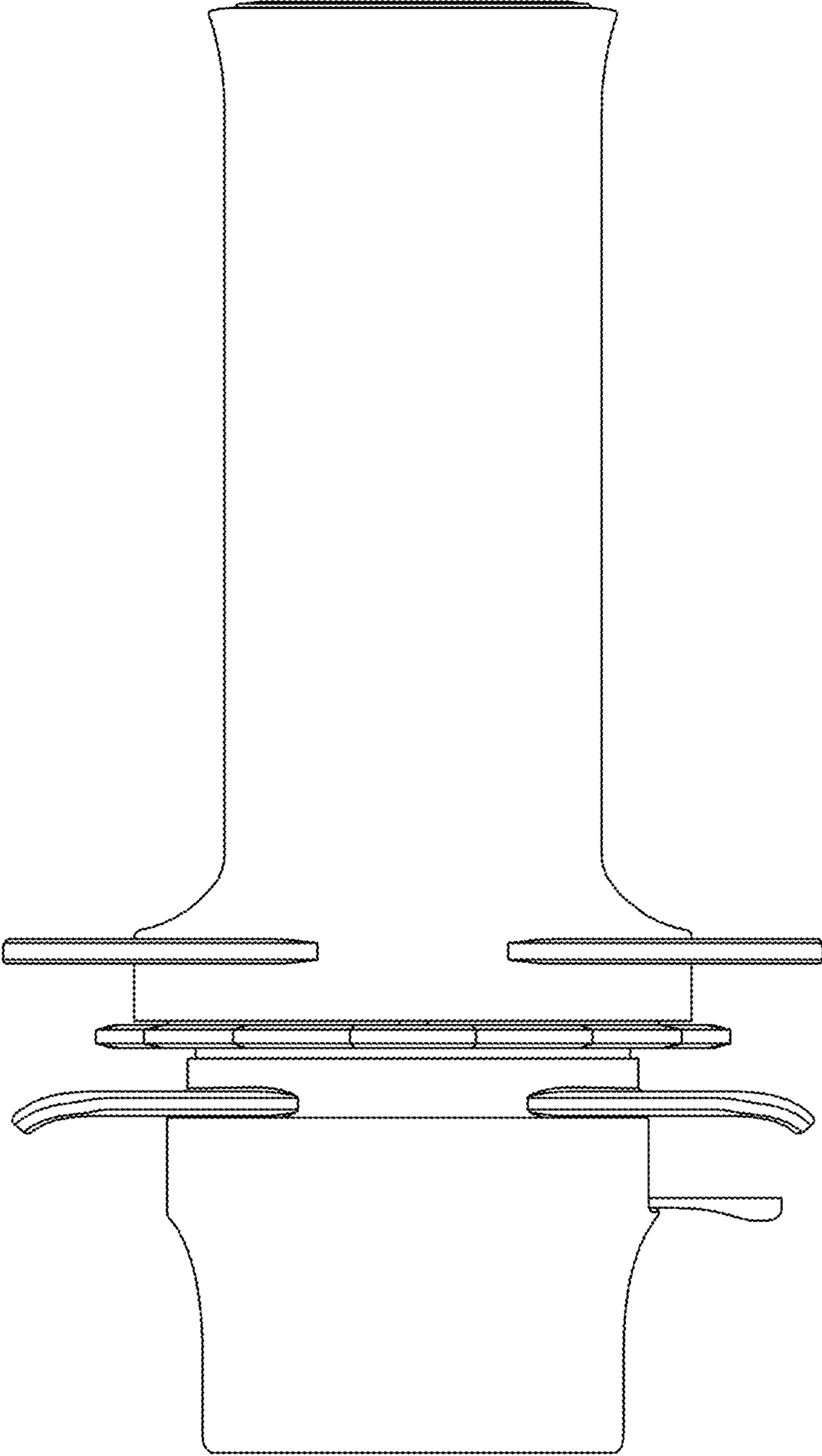


FIG. 4

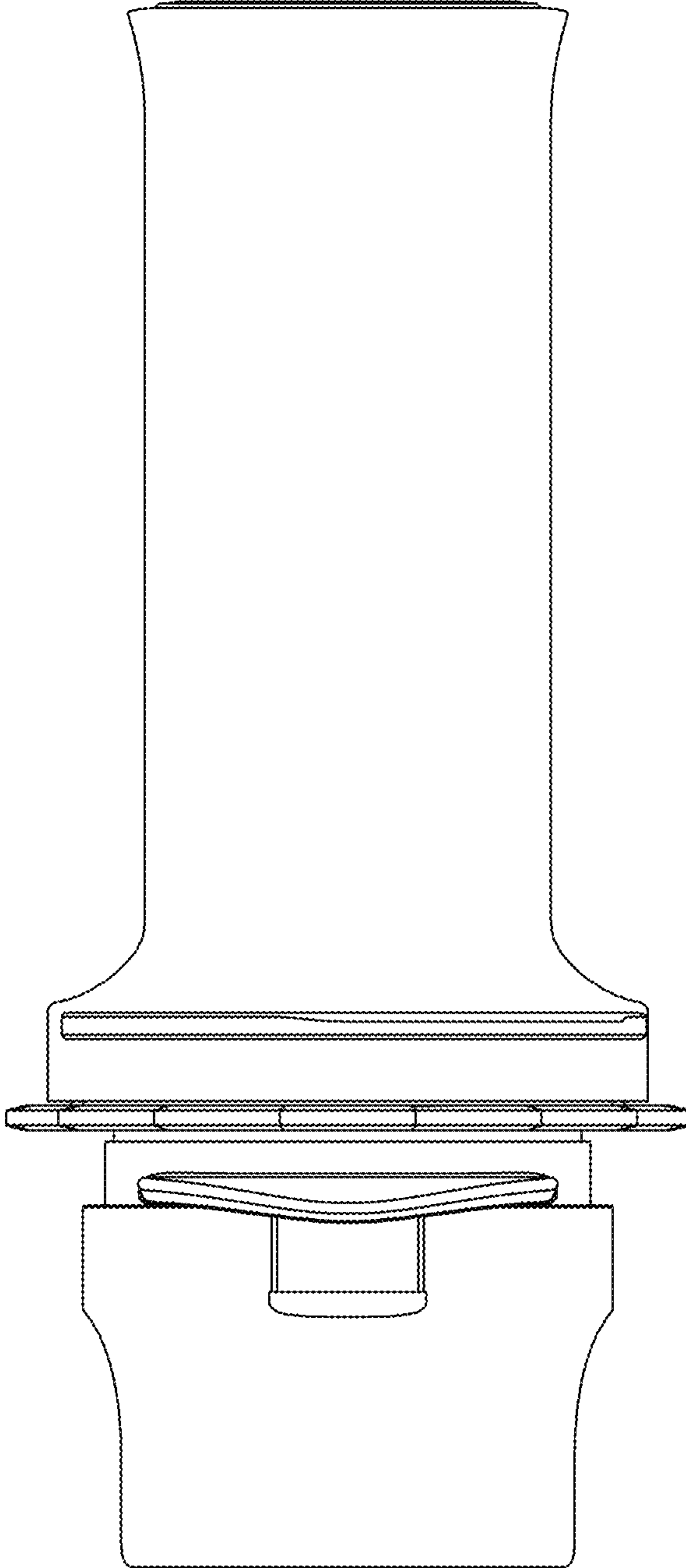


FIG. 5

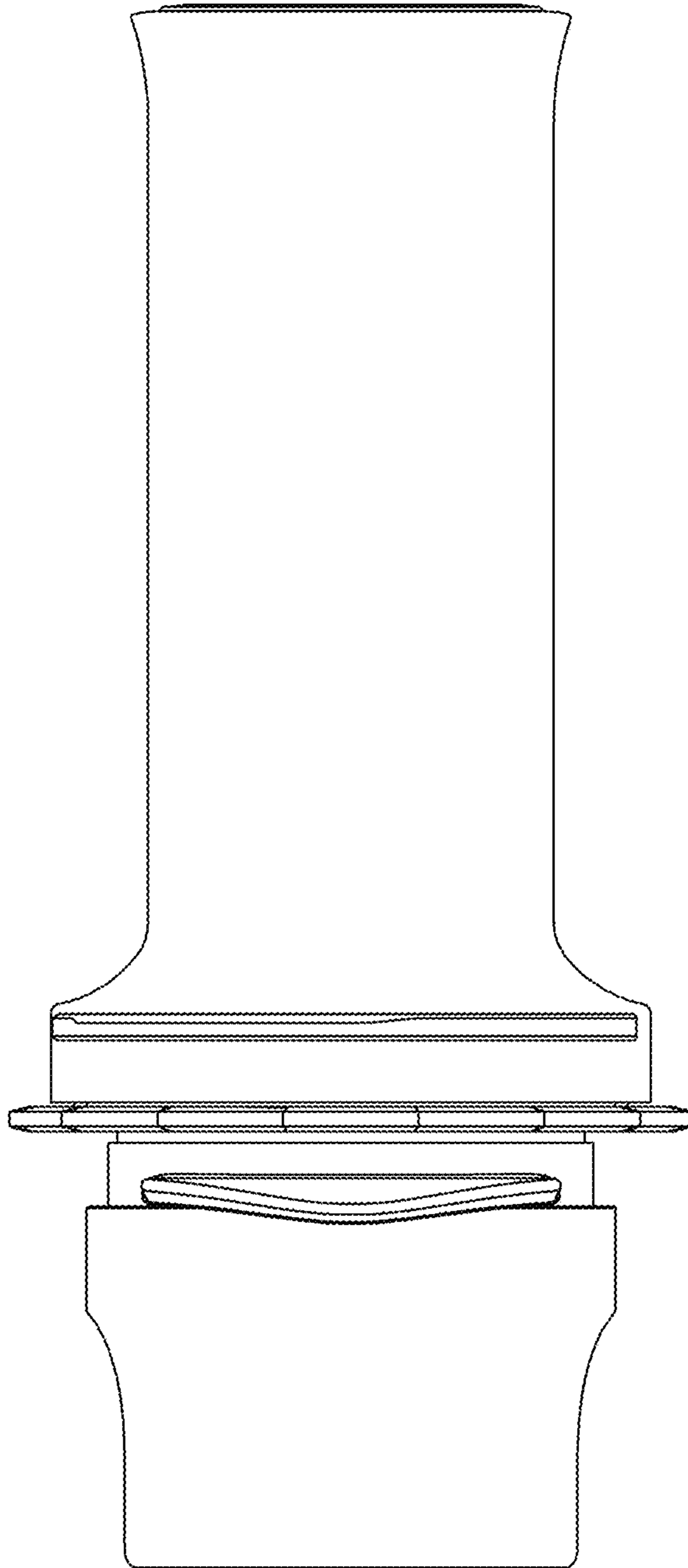


FIG. 6

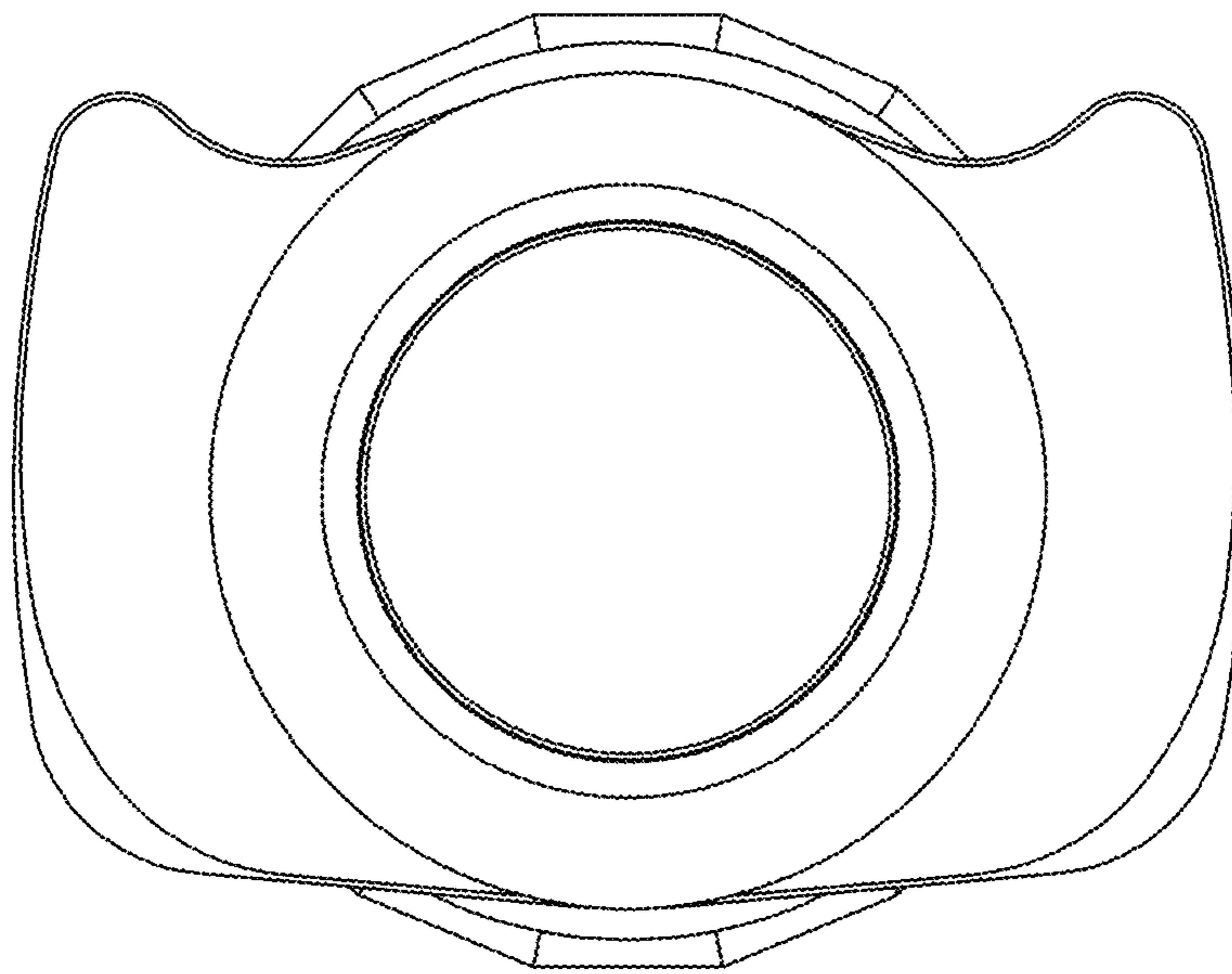


FIG. 7

