



US00D831394S

(12) **United States Design Patent** (10) **Patent No.:** **US D831,394 S**
Brooks (45) **Date of Patent:** **** Oct. 23, 2018**

(54) **RETAIL SHELF DIVIDER**
(71) Applicant: **Christopher Brooks**, Barrington, RI (US)
(72) Inventor: **Christopher Brooks**, Barrington, RI (US)
(73) Assignee: **Plastics Plus Inc.**, Cumberland, RI (US)
(**) Term: **15 Years**
(21) Appl. No.: **29/620,685**
(22) Filed: **Apr. 26, 2017**
(51) **LOC (11) Cl.** **06-06**
(52) **U.S. Cl.**
USPC **D6/706**
(58) **Field of Classification Search**
USPC D6/672-673, 678, 680.2, 680.3, 682.1, D6/705, 705.2, 706
CPC A47B 57/583; A47F 5/005; A47F 5/0018; A47F 5/0025; A47F 5/0068
See application file for complete search history.

(56) **References Cited**
U.S. PATENT DOCUMENTS
4,889,397 A * 12/1989 Ryan A47B 57/58 312/332.1
D458,781 S * 6/2002 Cook D6/706
8,556,092 B2 * 10/2013 Valiulis A47F 5/005 108/61
8,579,124 B2 * 11/2013 Ferry B65D 5/0015 211/126.16
D702,068 S * 4/2014 Mitten D6/706

D707,994 S * 7/2014 Le D6/706
D760,519 S * 7/2016 Le D6/706
D798,091 S * 9/2017 Collette D6/706
D808,206 S * 1/2018 Zeidner D6/706
D819,732 S * 6/2018 Nilsson D19/34.1
2005/0133471 A1 * 6/2005 Squitieri A47F 1/12 211/59.2
2010/0252519 A1 * 10/2010 Hanners A47F 5/005 211/184

* cited by examiner

Primary Examiner — Kelley A Donnelly
(74) *Attorney, Agent, or Firm* — Robert J Doherty

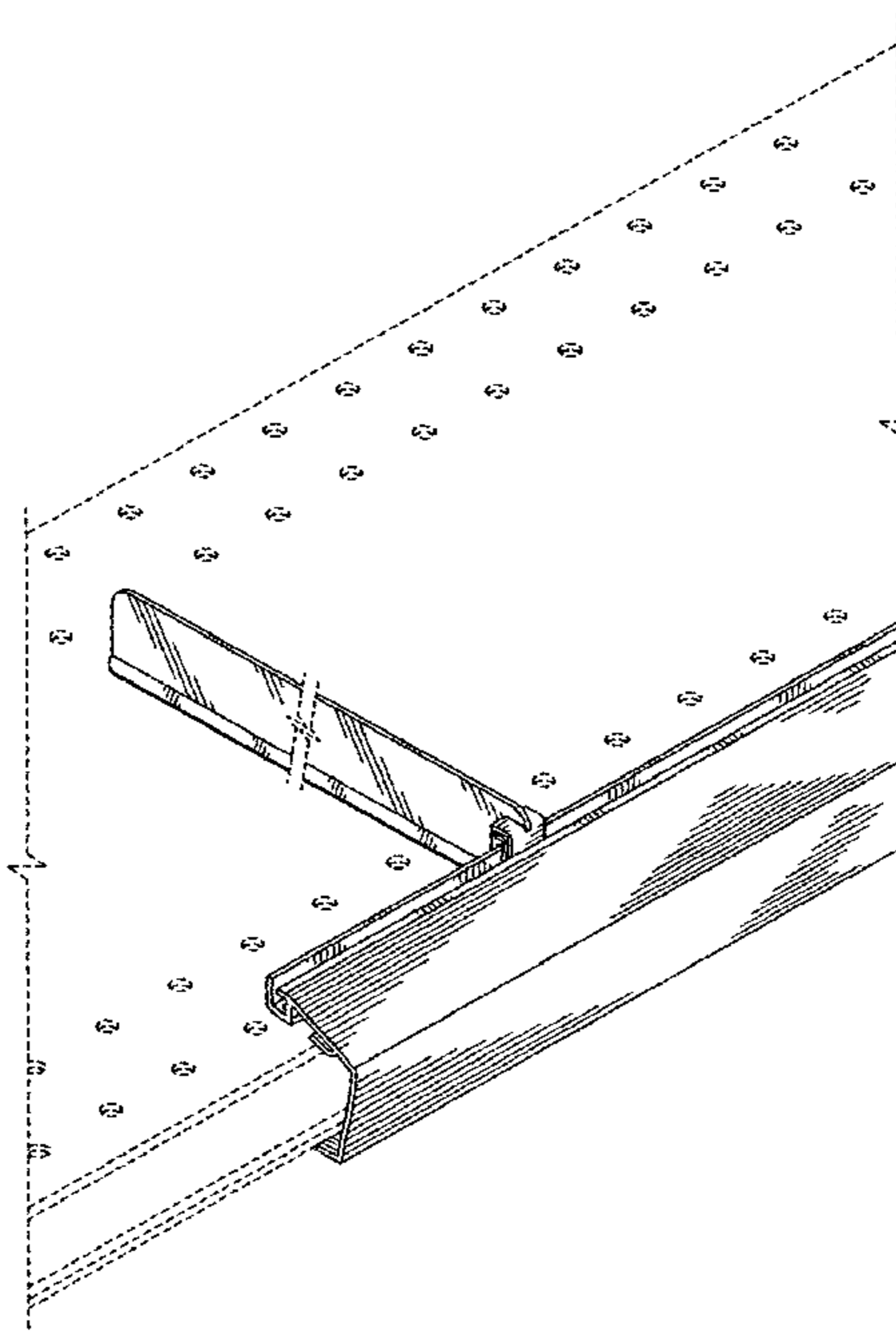
(57) **CLAIM**

The ornamental design for a retail shelf divider, as shown and described.

DESCRIPTION

FIG. 1 is a top perspective view of a retail shelf divider showing my new design;
FIG. 2 is left side elevation view of FIG. 1;
FIG. 3 is a right side elevation view of FIG. 1;
FIG. 4 is a front elevation view of FIG. 1;
FIG. 5 is a rear elevation view of FIG. 1;
FIG. 6 is a top plan view of FIG. 1; and,
FIG. 7 is a bottom plan view of FIG. 1.
The broken line portions shown in FIG. 1 are for illustrative purposes and form no part of the claimed design.
The claimed design is shown with a symbolic break in its length. The appearance of any portion of the case between the break lines forms no part of the claimed design. The broken lines immediately adjacent the claimed surfaces represent boundaries of the claimed design.

1 Claim, 5 Drawing Sheets



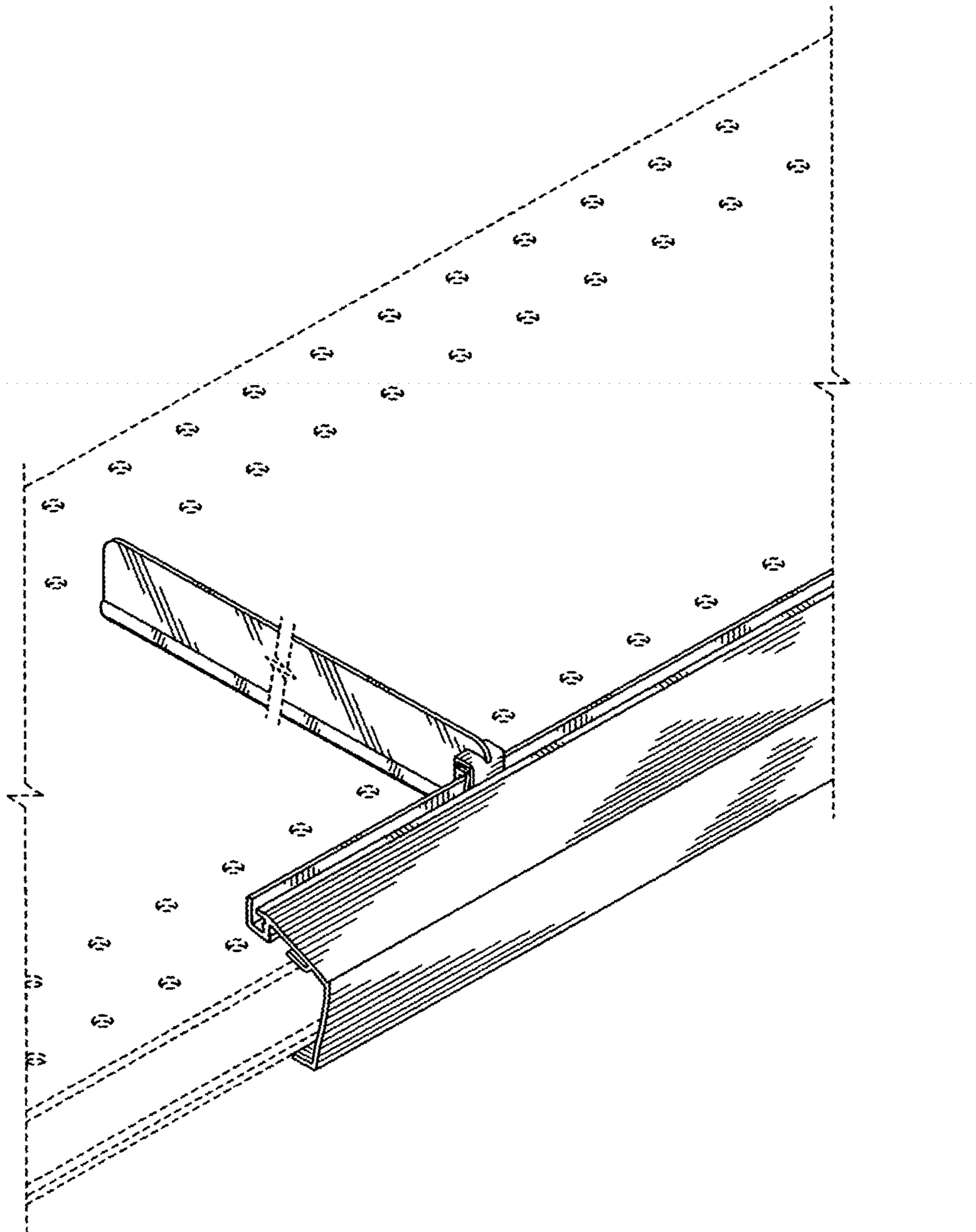


FIG. 1

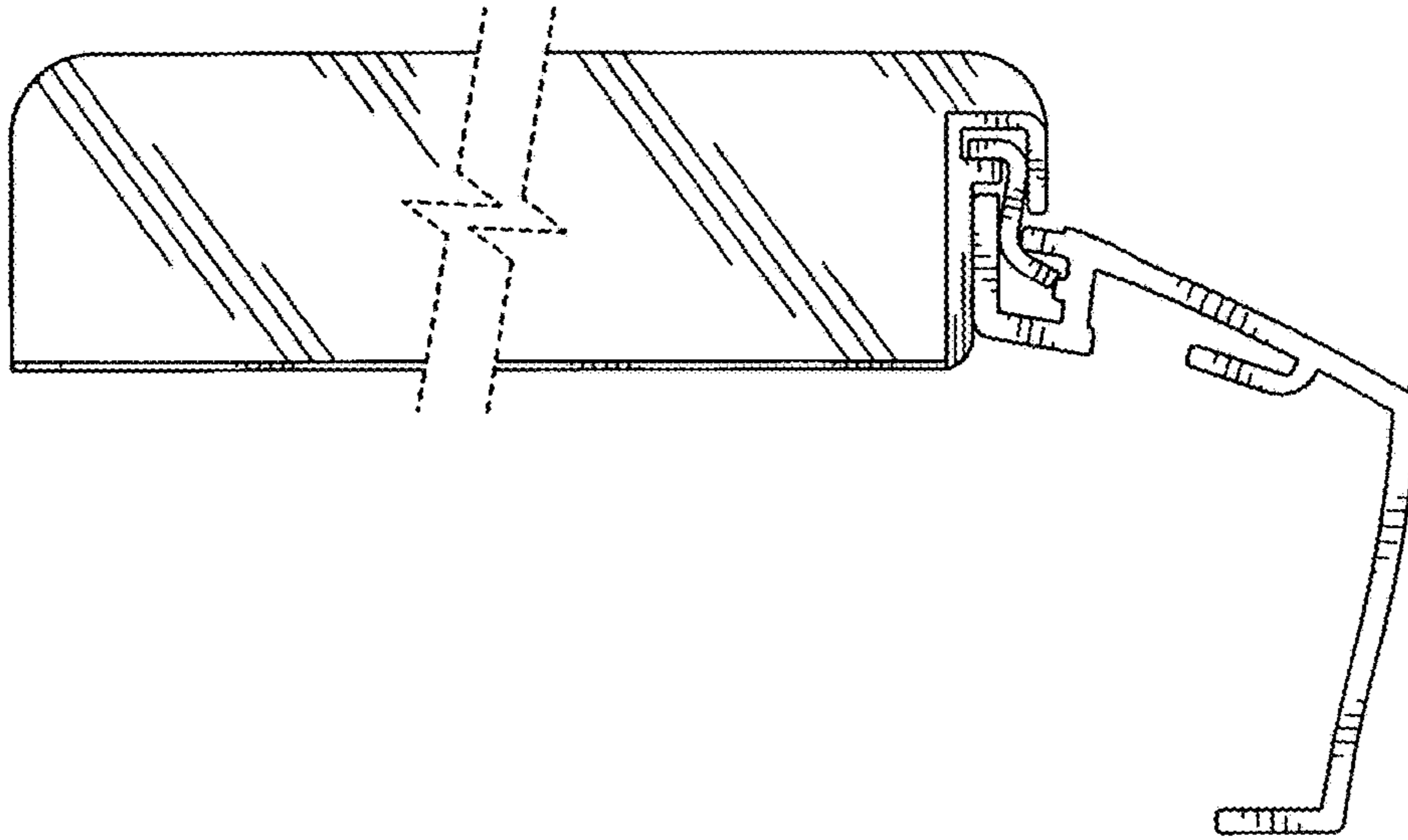


FIG. 2

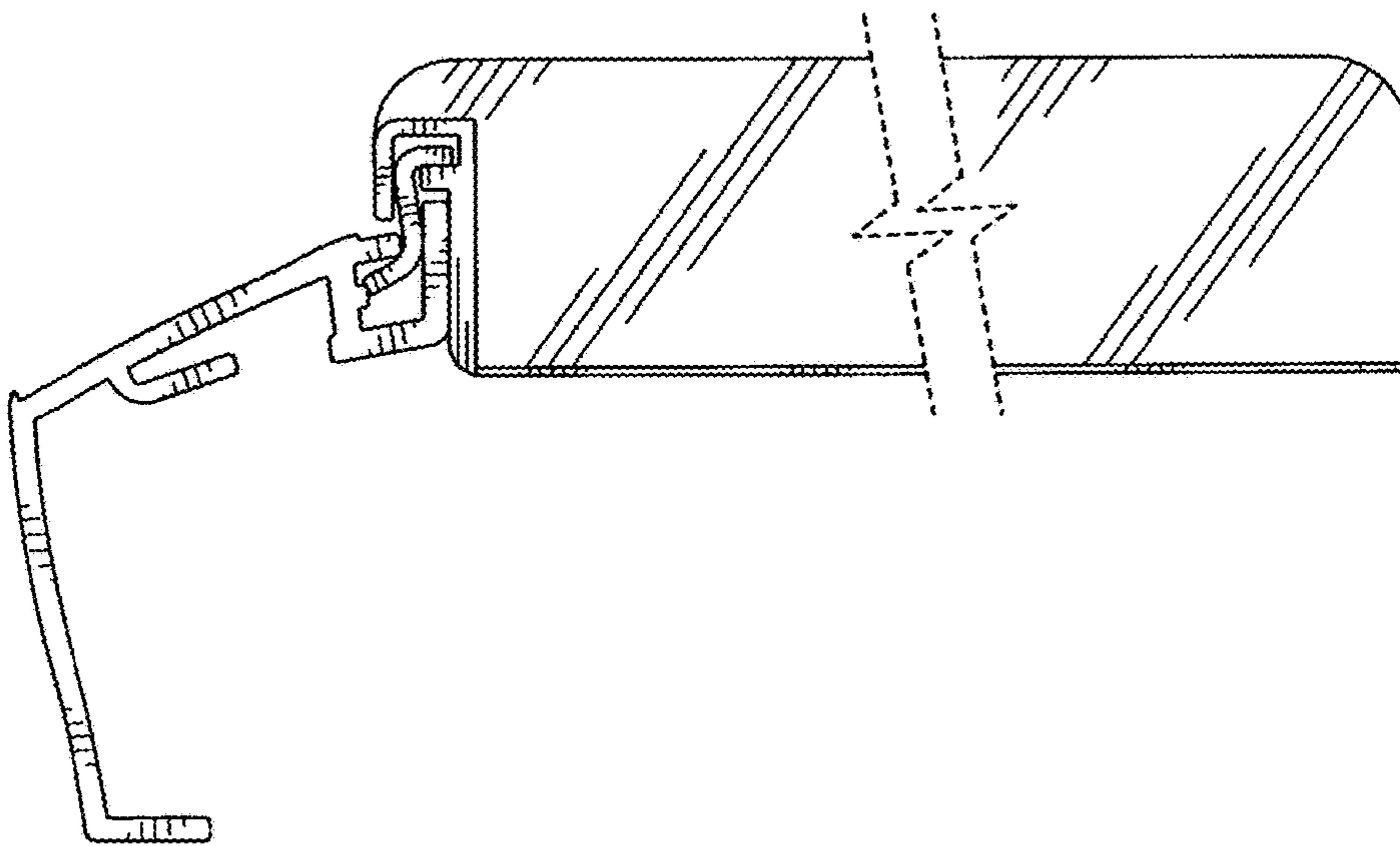


FIG. 3

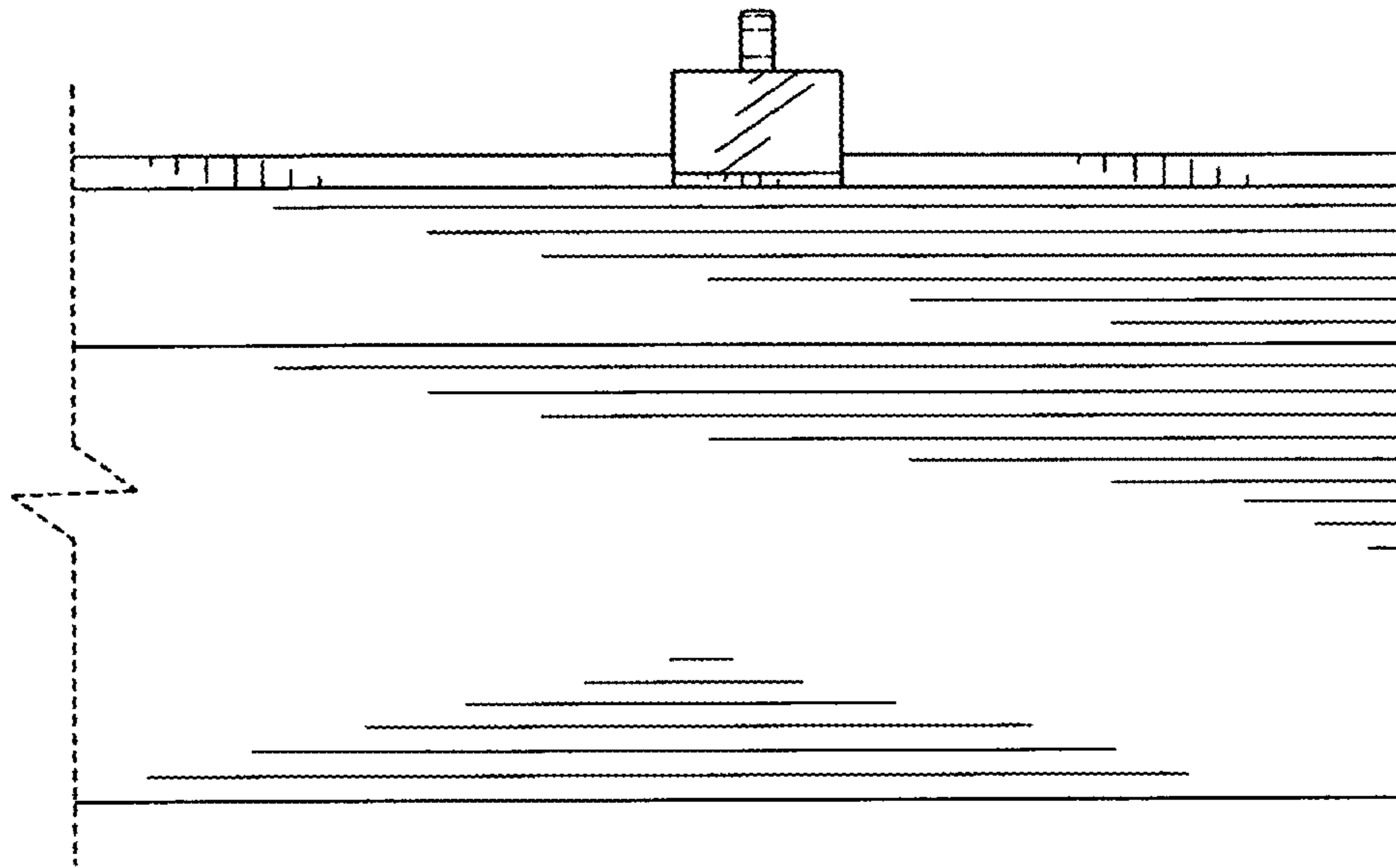


FIG. 4

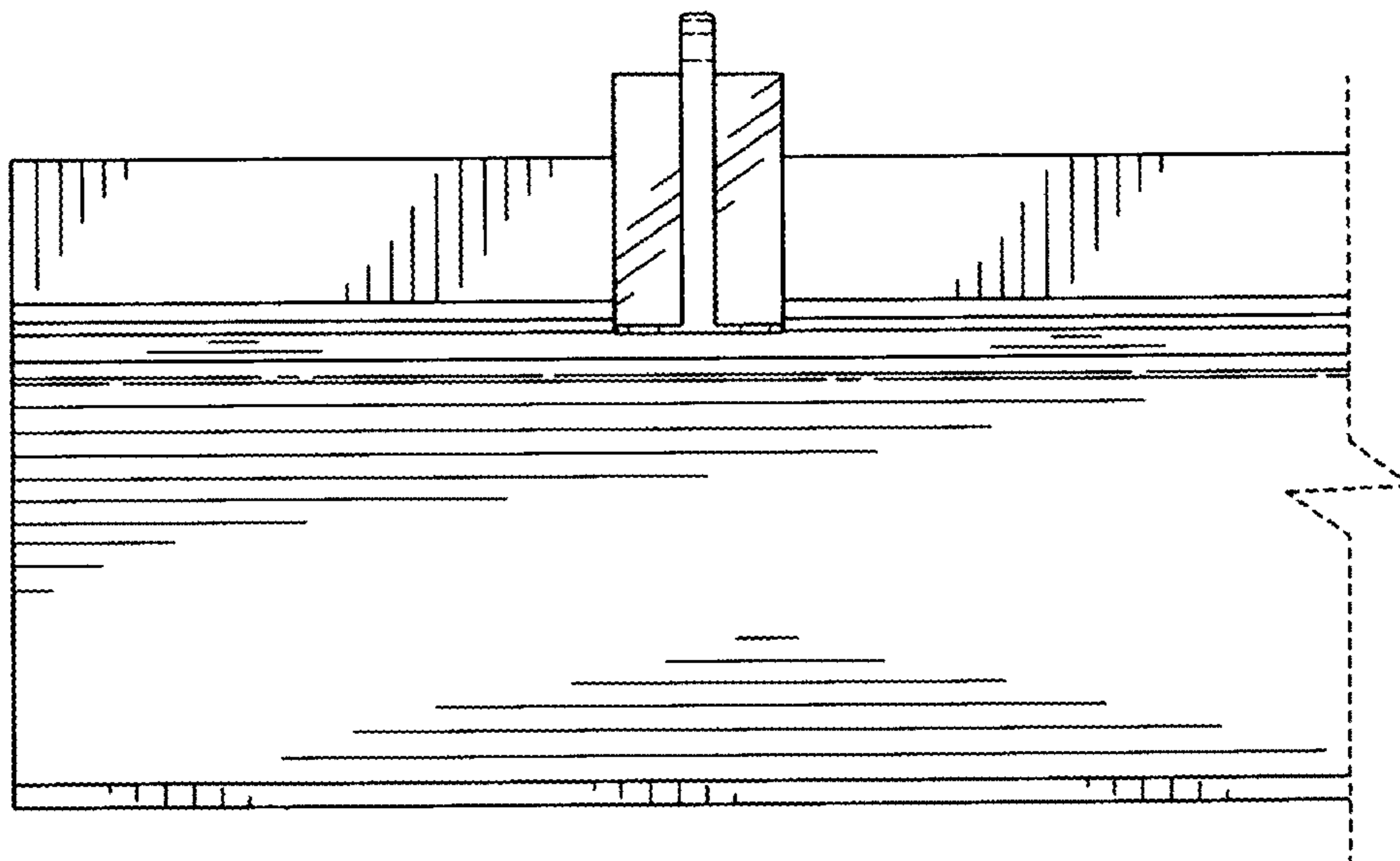


FIG. 5

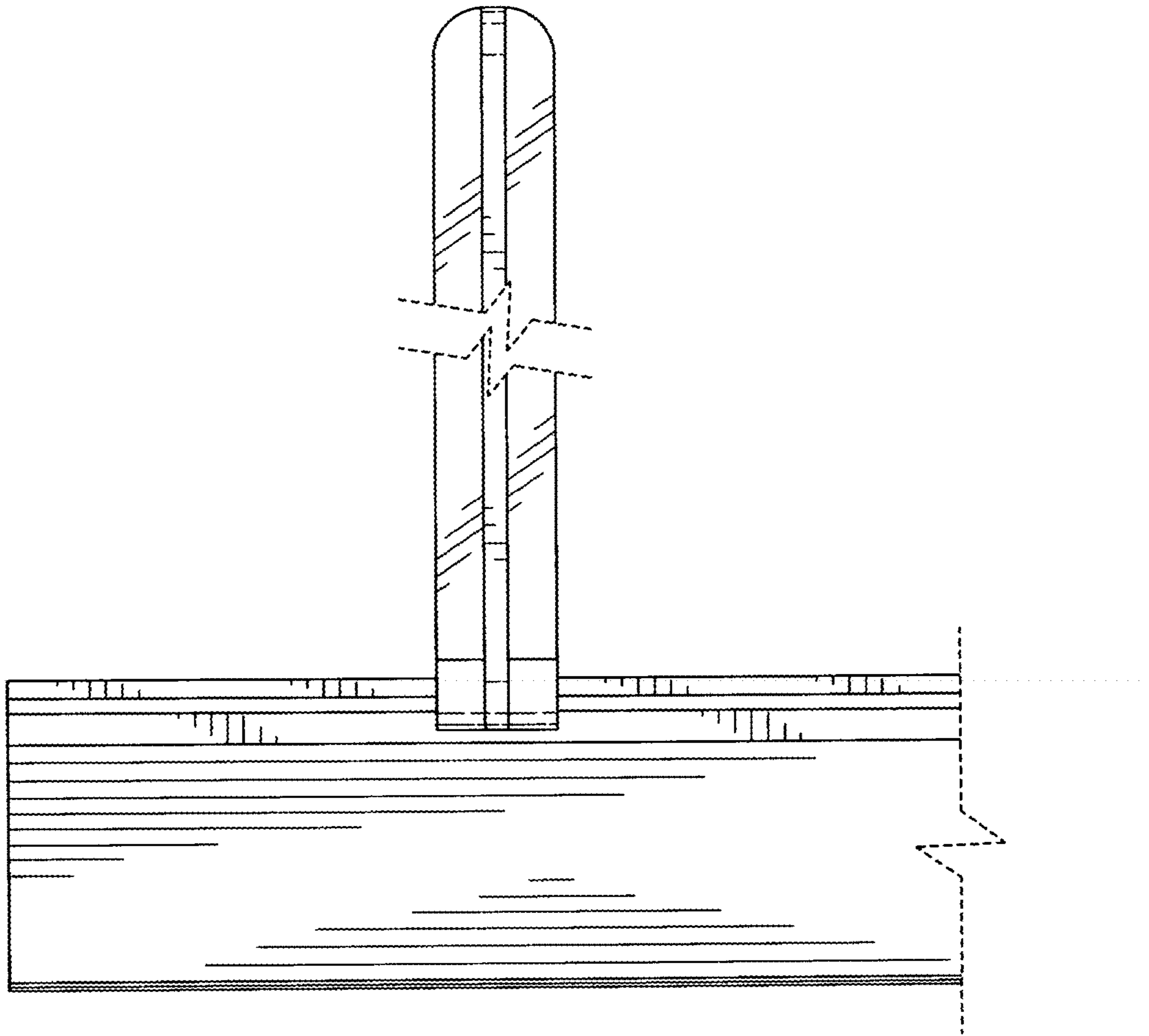


FIG. 6

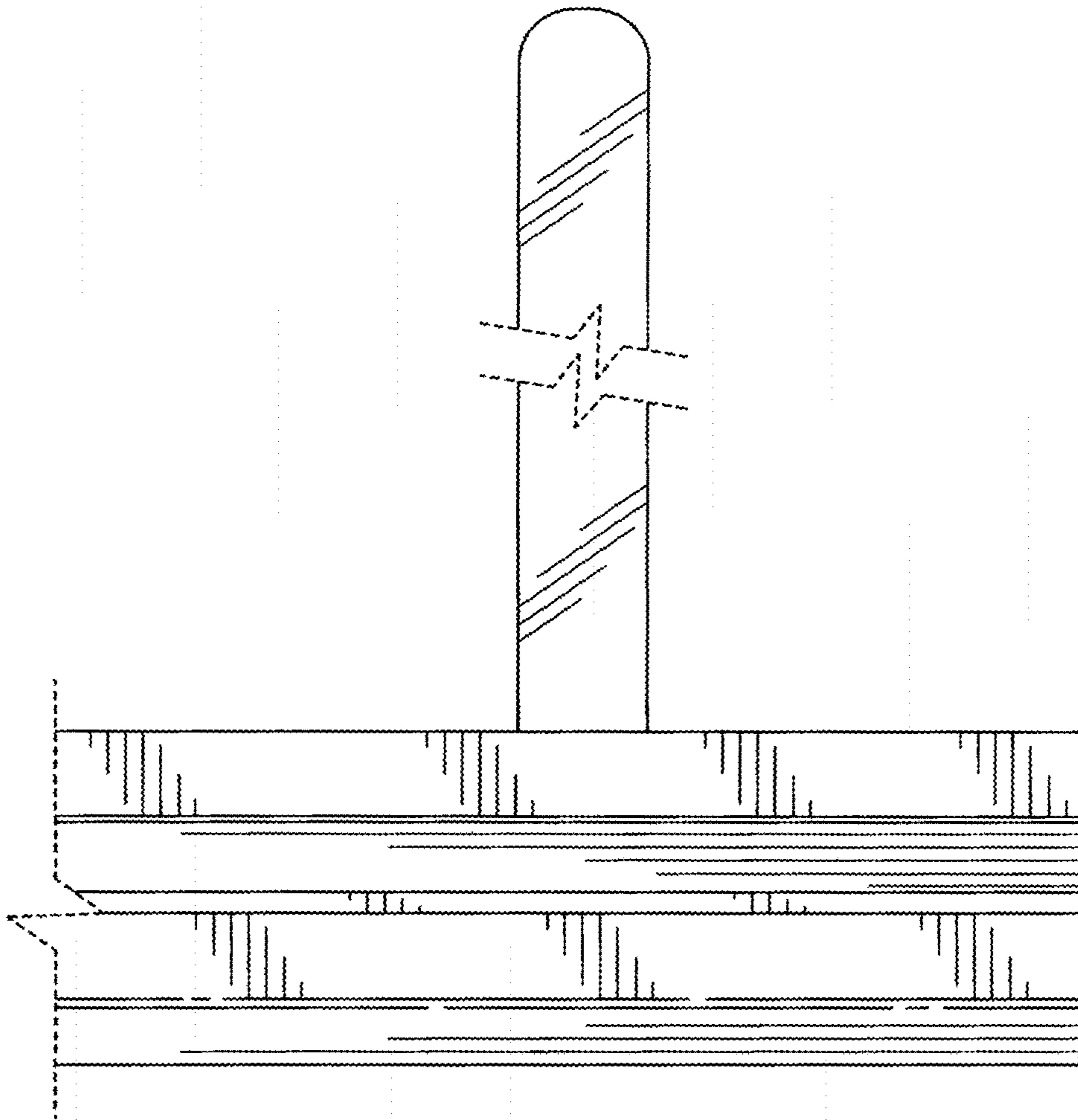


FIG. 7