



US00D831392S

(12) **United States Design Patent**  
**Mainzer**

(10) **Patent No.:** **US D831,392 S**  
(45) **Date of Patent:** **\*\* Oct. 23, 2018**

(54) **TABLE**

A47B 2200/0035; A47B 2200/0039;  
A47B 2200/0042; A47B 2200/0051;  
A47B 2200/0066

(71) Applicant: **E15 DESIGN UND DISTRIBUTIONS  
GMBH, Frankfurt am Main (DE)**

See application file for complete search history.

(72) Inventor: **Philipp Mainzer, Frankfurt am Main  
(DE)**

(56) **References Cited**

**U.S. PATENT DOCUMENTS**

(\*\*) Term: **15 Years**

(21) Appl. No.: **35/503,548**

(22) Filed: **Aug. 1, 2017**

(80) **Hague Agreement Data**

Int. Filing Date: **Aug. 1, 2017**

Int. Reg. No.: **DM/097238**

Int. Reg. Date: **Aug. 1, 2017**

Int. Reg. Pub. Date: **Aug. 18, 2017**

1,792,406	A	*	2/1931	Tomlinson	.....	A47B 3/12
						108/159.11
D234,735	S	*	4/1975	Podell	.....	D6/691.5
D236,058	S	*	7/1975	Kramer	.....	D6/656.17
D249,858	S	*	10/1978	Gageby	.....	D6/691.1
D263,910	S	*	4/1982	Robertson	.....	D6/691.1
D297,892	S	*	10/1988	Riggsby	.....	D6/656.1
D322,729	S	*	12/1991	Diffrient	.....	D6/656.17
D366,977	S	*	2/1996	Pratt	.....	A47B 3/12
						D6/697
D732,316	S	*	6/2015	Matthai	.....	D6/656.16
D808,204	S	*	1/2018	Davis	.....	D6/691

\* cited by examiner

*Primary Examiner* — Mary Ann Calabrese

(51) **LOC (11) Cl.** ..... **06-03**

(52) **U.S. Cl.**  
USPC ..... **D6/691.5; D6/656.16**

(58) **Field of Classification Search**  
USPC .... D6/641, 642, 656, 656.1, 656.16, 696.17,  
D6/685, 686, 690, 691, 691.2, 691.3,  
D6/695.5, 691.6, 691.7  
CPC ..... A47B 1/00; A47B 1/04; A47B 2001/025;  
A47B 2001/105; A47B 2001/1053; A47B  
3/00; A47B 3/12; A47B 7/00; A47B 9/00;  
A47B 9/20; A47B 2009/046; A47B  
13/00; A47B 13/003; A47B 13/02; A47B  
13/08; A47B 13/081; A47B 2200/0001;  
A47B 2200/0011; A47B 2200/0015;

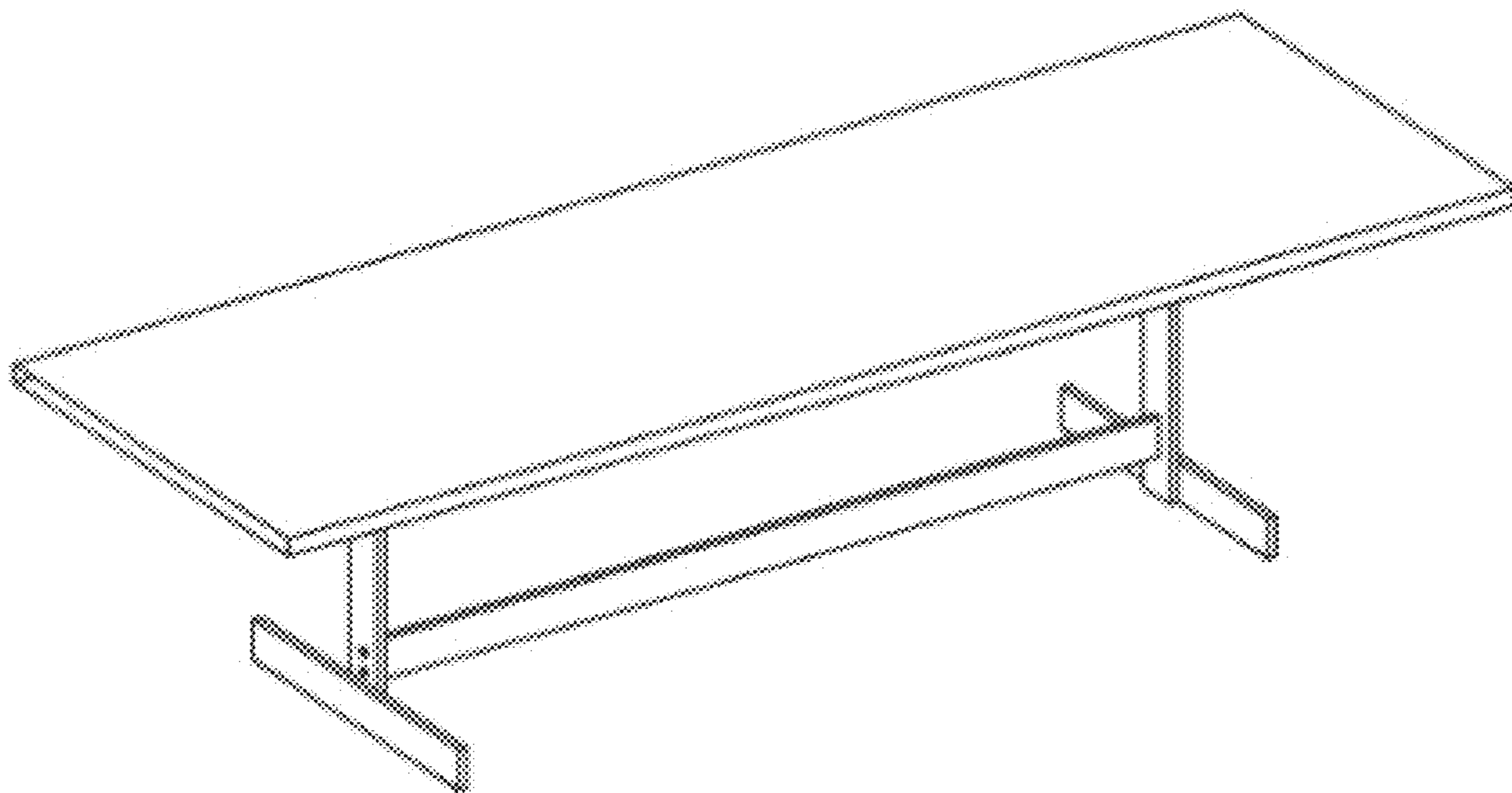
(57) **CLAIM**

The ornamental design for a table, as shown and described.

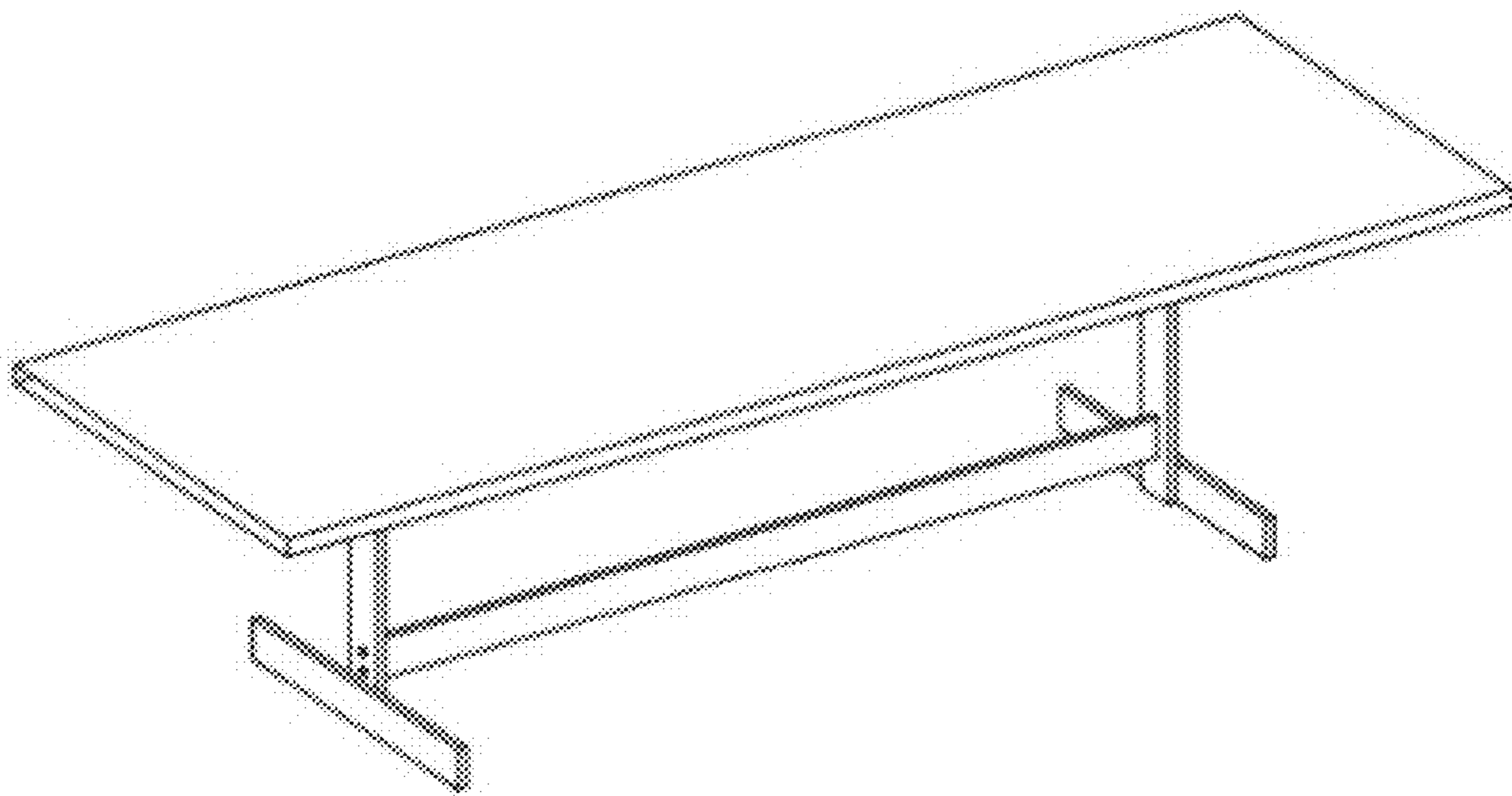
**DESCRIPTION**

- 1. Table
- 1.1 : isometric view
- 1.2 : Front
- 1.3 : side view
- 1.4 : Top
- 1.5 : Bottom

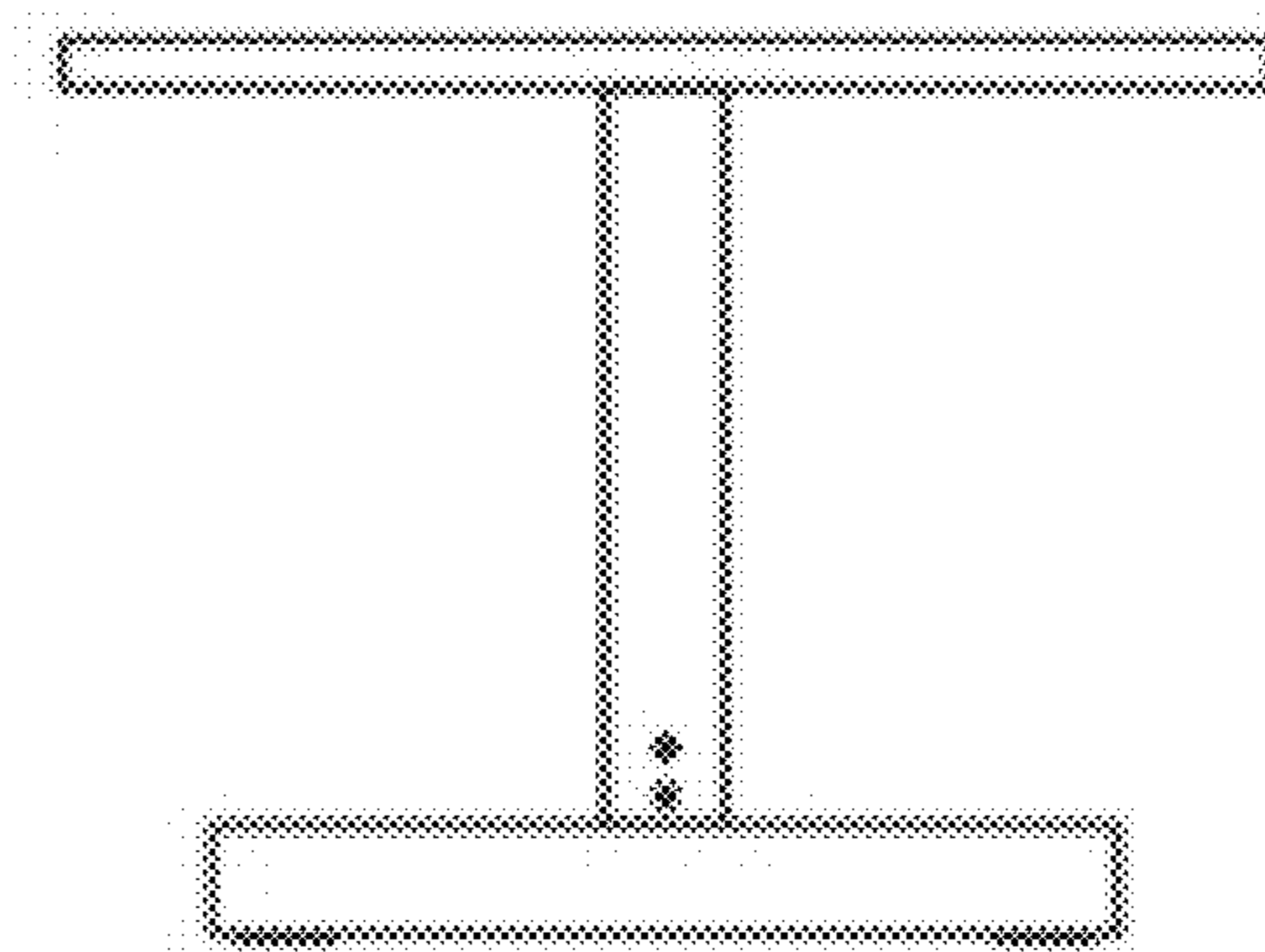
**1 Claim, 5 Drawing Sheets**



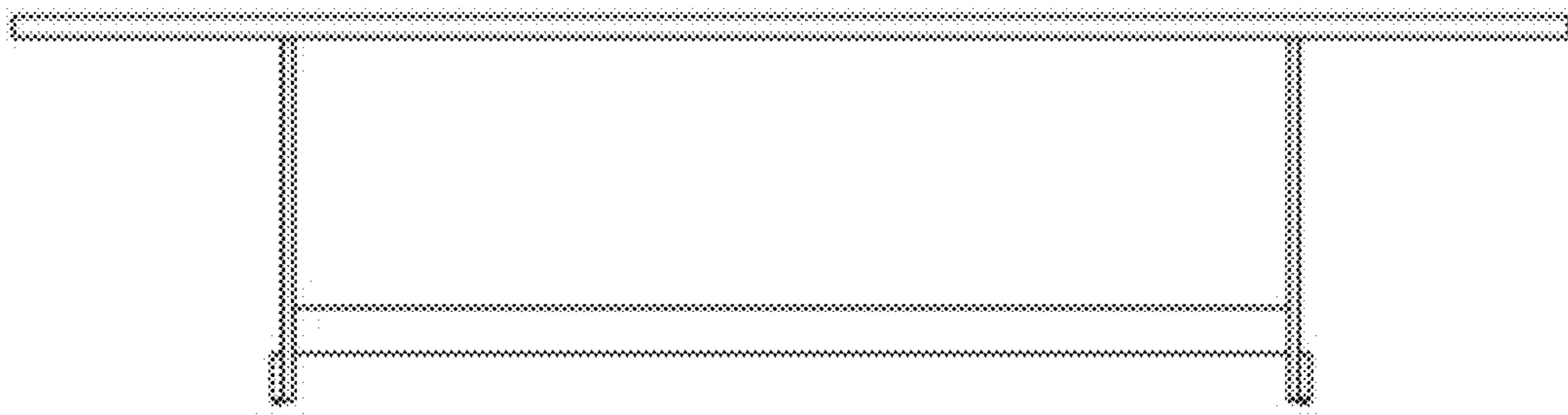
**1.1**



**1.2**



**1.3**



**1.4**



1.5

