



US00D831388S

(12) **United States Design Patent** (10) **Patent No.:** **US D831,388 S**
Rus (45) **Date of Patent:** **** Oct. 23, 2018**

(54) **SURFACE PROTECTOR**

(71) Applicant: **Garland Industries, Inc.**, Cleveland, OH (US)

(72) Inventor: **Melissa Rus**, Cleveland, OH (US)

(73) Assignee: **Garland Industries, Inc.**, Cleveland, OH (US)

(**) Term: **15 Years**

(21) Appl. No.: **29/587,435**

(22) Filed: **Dec. 13, 2016**

(51) **LOC (11) Cl.** **06-13**

(52) **U.S. Cl.**
USPC **D6/610**

(58) **Field of Classification Search**
USPC D6/610-611
CPC B65D 25/34; B65H 45/12
See application file for complete search history.

(56) **References Cited**

U.S. PATENT DOCUMENTS

D373,664 S *	9/1996	Jackson	D32/25
D445,286 S *	7/2001	Rhyne	D6/610
D449,195 S *	10/2001	Brown	D32/25
D503,999 S *	4/2005	Arvizo	D32/25
D751,223 S *	3/2016	Muxlow	D25/138
9,365,385 B2 *	6/2016	Muxlow	B65H 45/12
9,540,821 B2 *	1/2017	Houchin	B32B 7/06

(Continued)

FOREIGN PATENT DOCUMENTS

CN	20332090	12/2013
EP	1570911	9/2005

(Continued)

OTHER PUBLICATIONS

Black Granite Work Top Surface Protector, posted at dunelm.com, posting date not given, [online], [site visited Feb. 8, 2018]. Avail-

able from Internet, URL: <http://www.dunelm.com/product/black-granite-work-top-surface-protector-1000009315>.*

(Continued)

Primary Examiner — George D. Kirschbaum

Assistant Examiner — Maria J Edwards

(74) *Attorney, Agent, or Firm* — Fay Sharpe LLP

(57) **CLAIM**

The ornamental design for a surface protector, as shown and described.

DESCRIPTION

FIG. 1 is a top perspective view of a surface protector showing my new design;

FIG. 2 is a top plan view of the surface protector of FIG. 1;

FIG. 3 is a side view of the surface protector of FIG. 1;

FIG. 4 is an end view of the surface protector of FIG. 1;

FIG. 5 is a bottom plan view of the surface protector of FIG. 1;

FIG. 6 is a top perspective view of the surface protector of FIG. 1 wherein one side is bent at a crease and a releasable film is partially removed to expose a top surface of an adhesive strip;

FIG. 7 is a top perspective view of a surface protector showing a second embodiment of my new design;

FIG. 8 is a top plan view of the surface protector of FIG. 7;

FIG. 9 is a side view of the surface protector of FIG. 7;

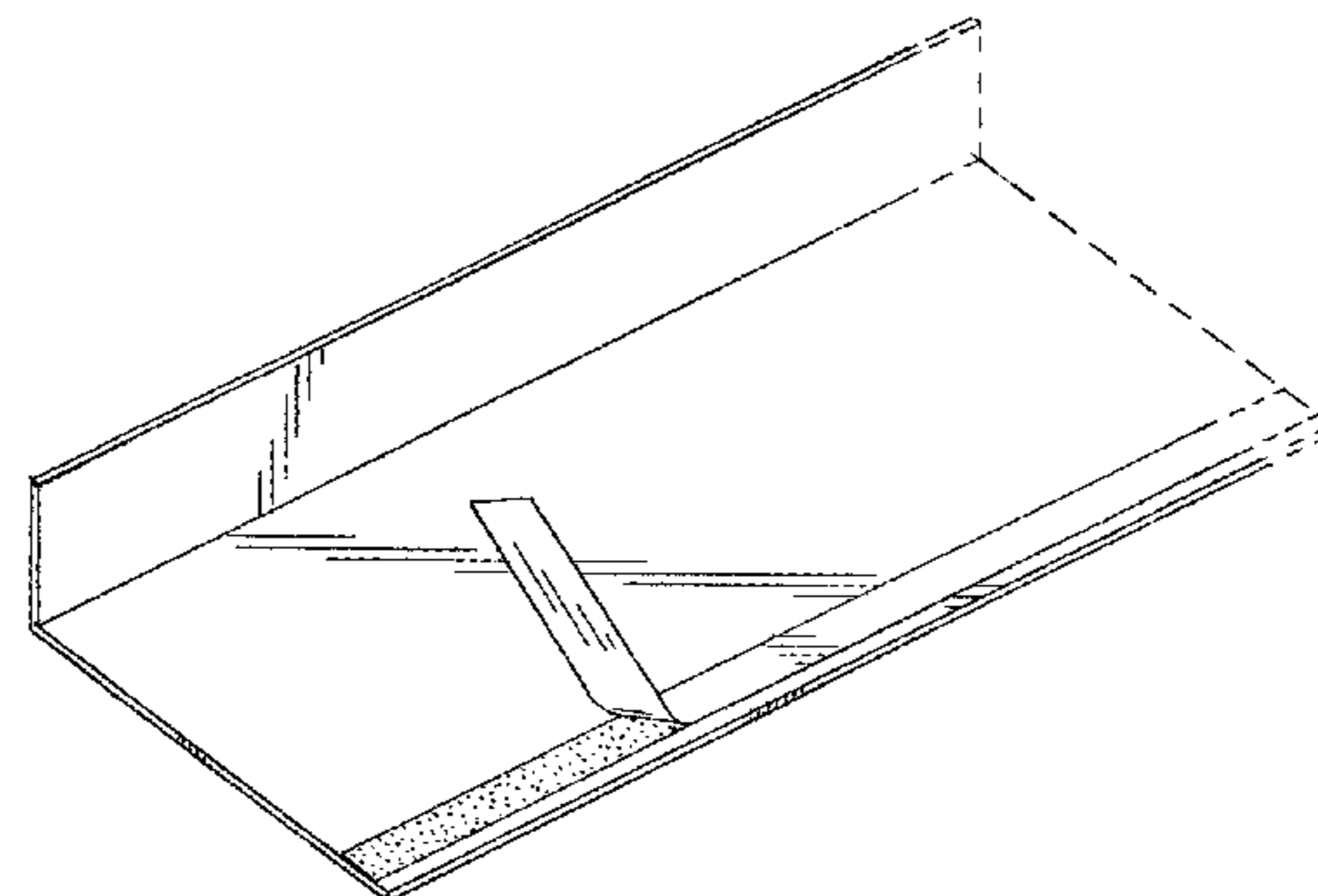
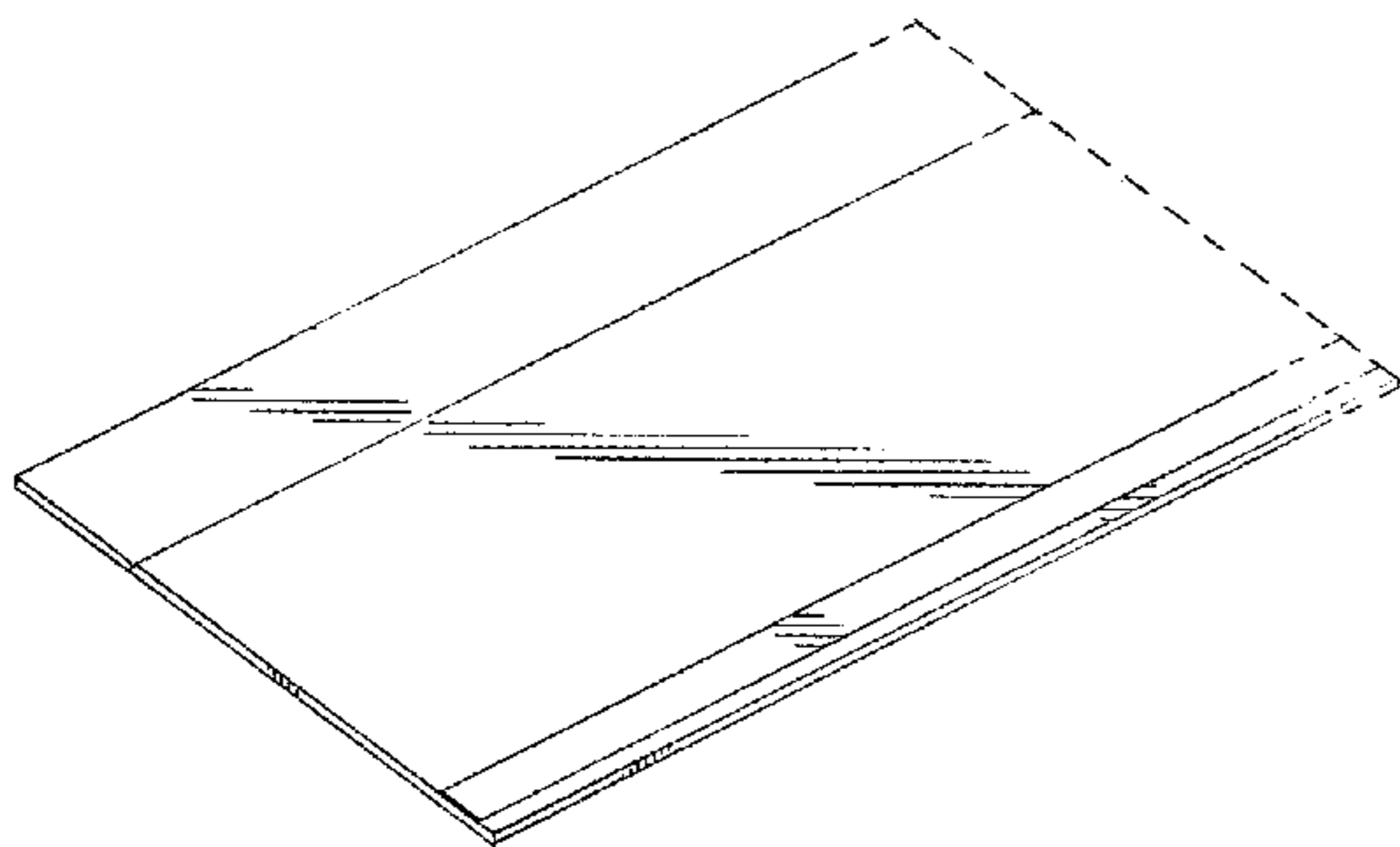
FIG. 10 is an end view of the surface protector of FIG. 7;

FIG. 11 is a bottom plan view of the surface protector of FIG. 7; and,

FIG. 12 is a top perspective view of the surface protector of FIG. 7 wherein a releasable film is partially removed to expose a top surface of an adhesive strip.

The broken lines illustrate non-claimed subject matter and form no part of the claimed design.

1 Claim, 6 Drawing Sheets



(56)

References Cited

U.S. PATENT DOCUMENTS

D803,418	S	*	11/2017	Annibale	D25/58
2003/0170452	A1		9/2003	Hansen		
2004/0213937	A1		10/2004	Arthur		
2004/0261346	A1		12/2004	Gibney		
2009/0077901	A1		3/2009	Brooks		
2010/0236541	A1*		9/2010	Smith	F24J 2/045 126/621
2013/0236676	A1		9/2013	Doyle		
2014/0224391	A1*		8/2014	Muxlow	B65H 45/12 150/154
2017/0183883	A1*		6/2017	Rus	E04G 21/30
2017/0183884	A1*		6/2017	Rus	E04G 21/30

FOREIGN PATENT DOCUMENTS

EP	2338679	6/2011
WO	2011146342	11/2011

OTHER PUBLICATIONS

Correx, posted at [cordek.com](http://www.cordek.com), posting date not given, [online], [site visited Feb. 8, 2018]. Available from Internet, URL: <http://www.cordek.com/products/correx>.*

Corrugated Plastic Correx Sheet Floor Protector, posted at [amazon.com](https://www.amazon.com), posting date Nov. 15, 2014, [online], [site visited Feb. 8, 2018]. Available from Internet, URL: <https://www.amazon.co.uk/Corrugated-Plastic-Correx-Protector-Protection/dp/B00PO1KW94>.*

Protex PROBoard, posted at [homedepot.com](https://www.homedepot.com), posting date not given, [online], [site visited Feb. 8, 2018]. Available from Internet, URL: <https://www.homedepot.com/p/PROTEX-PROBoard-4-ft-x-4-ft-Heavy-Duty-Temporary-Floor-Protection-Sheet-500-Pallet-PB-16-RSP/205794784>.*

European Patent Office, Extended European Search Report in related EP Patent Application No. 17155301.9 dated Jul. 25, 2017.

* cited by examiner

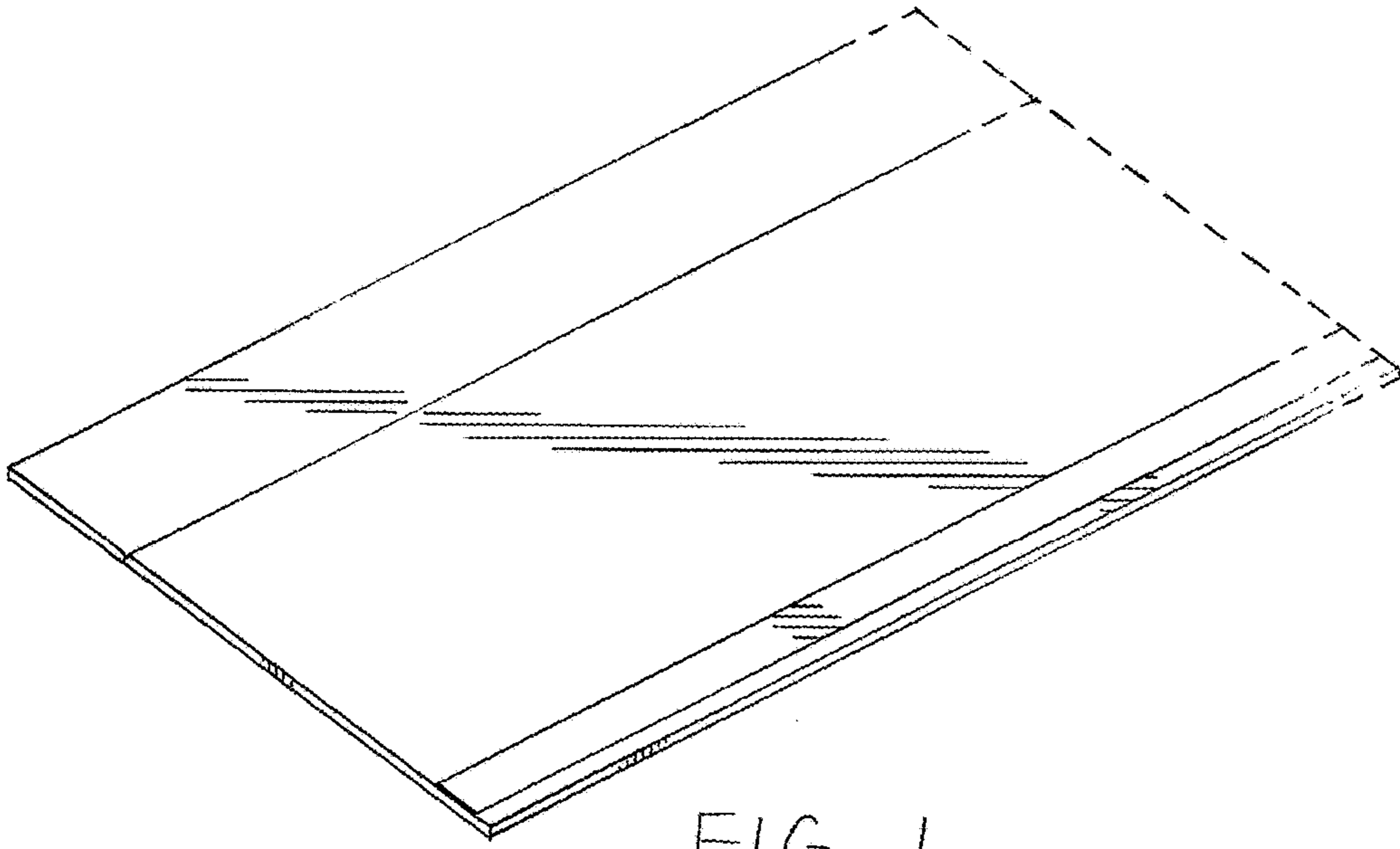


FIG. 1

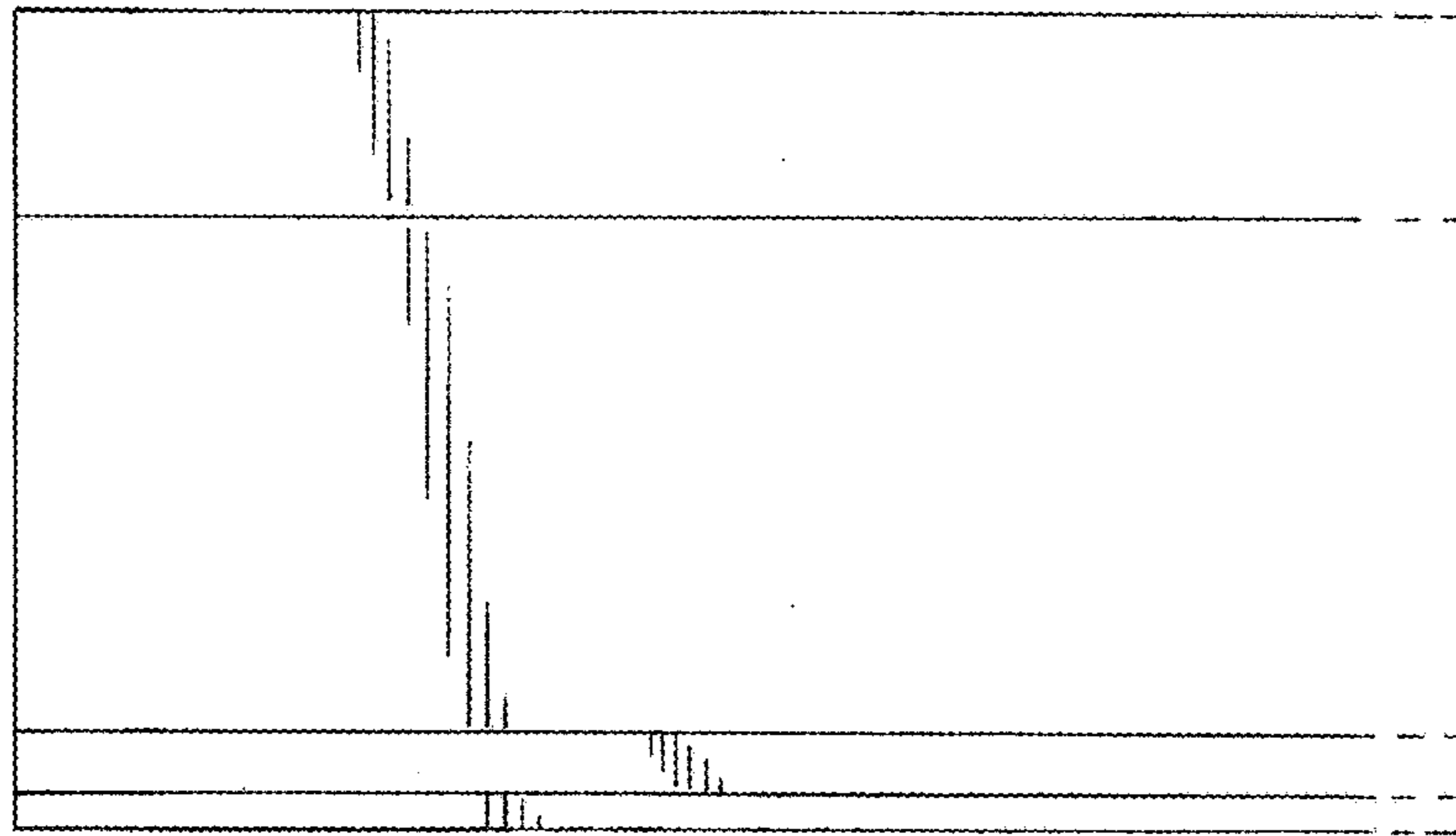


FIG. 2

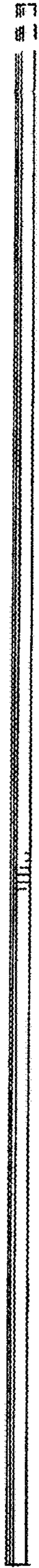


FIG. 3



FIG. 4

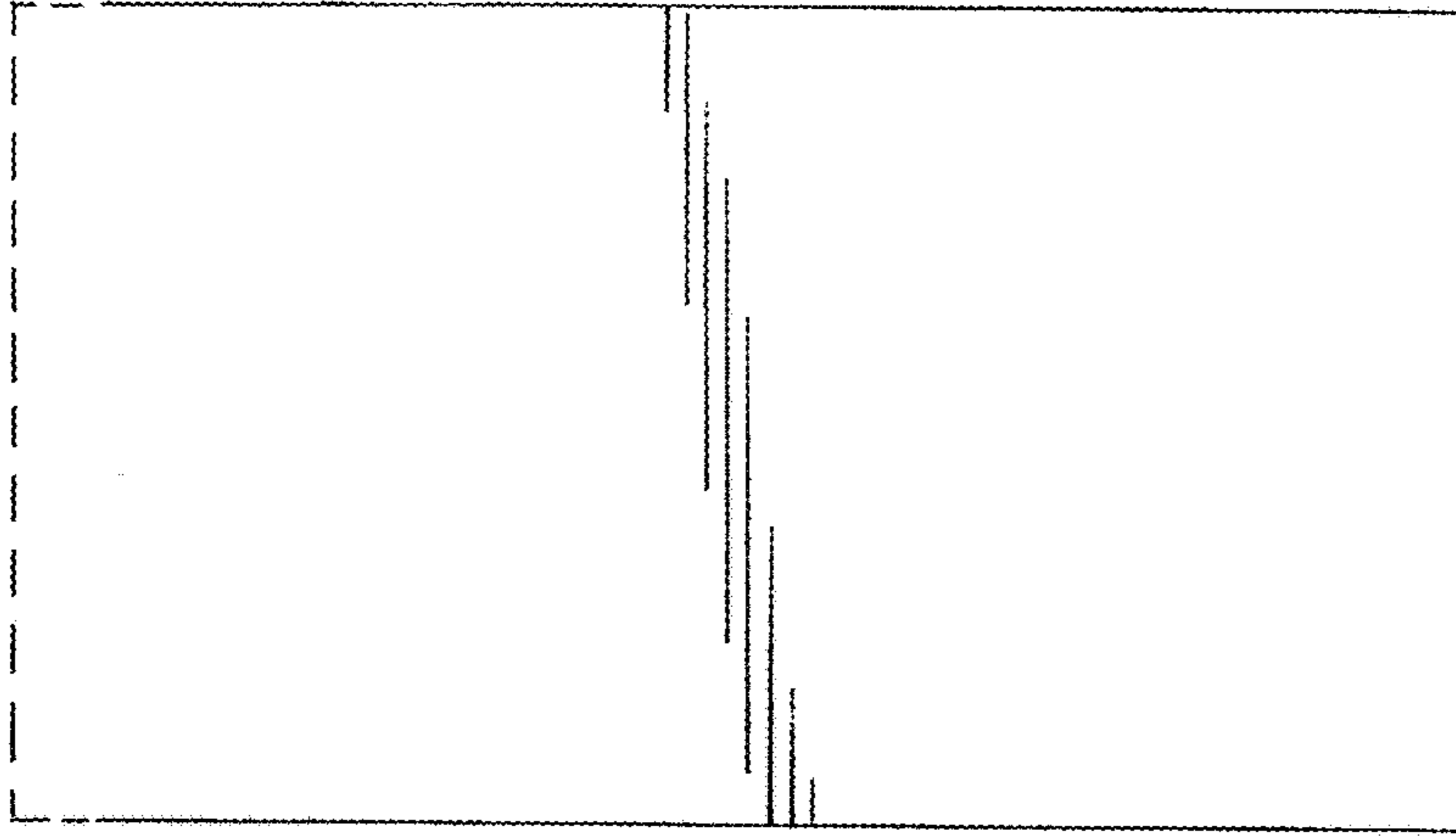


FIG. 5

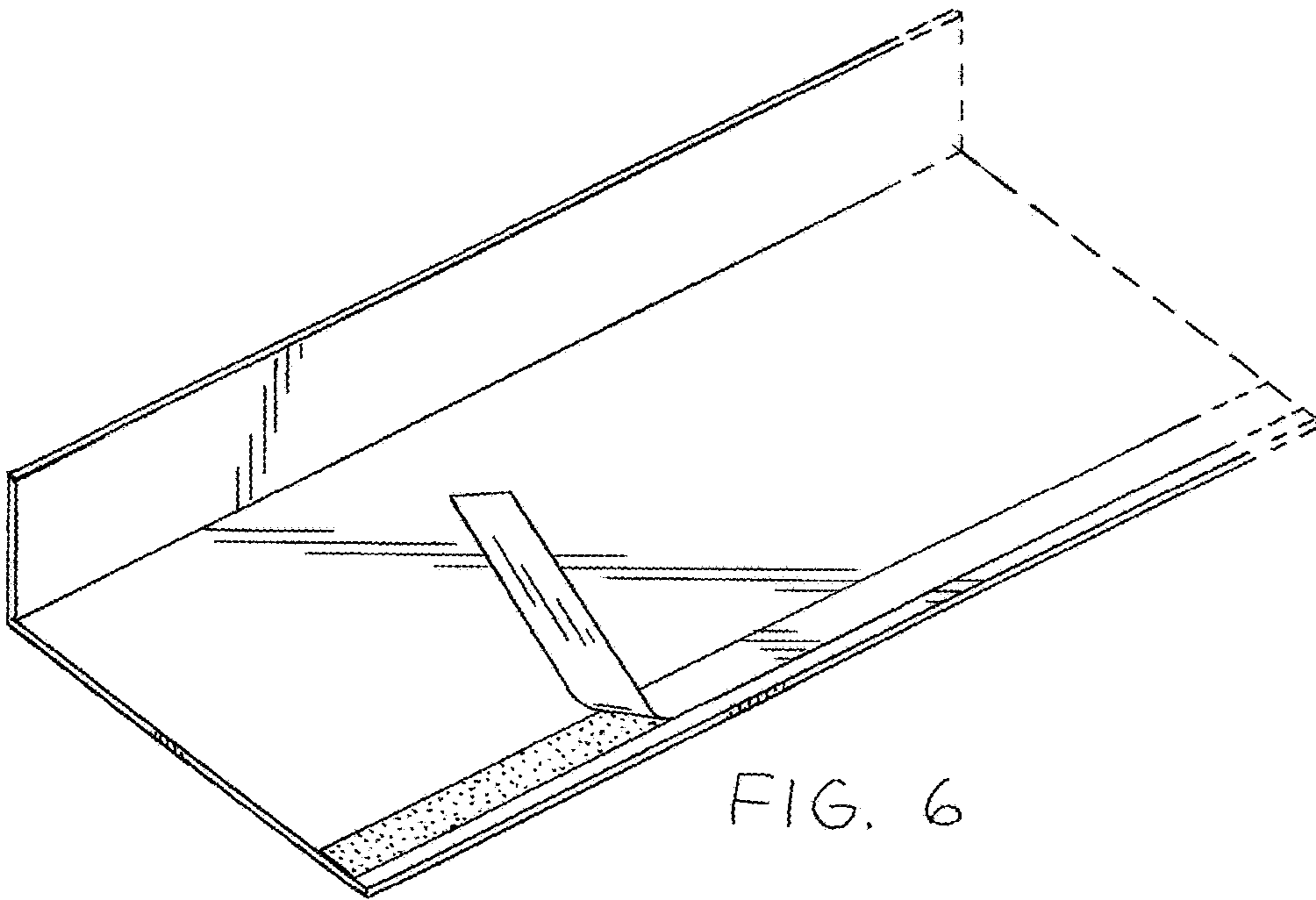


FIG. 6

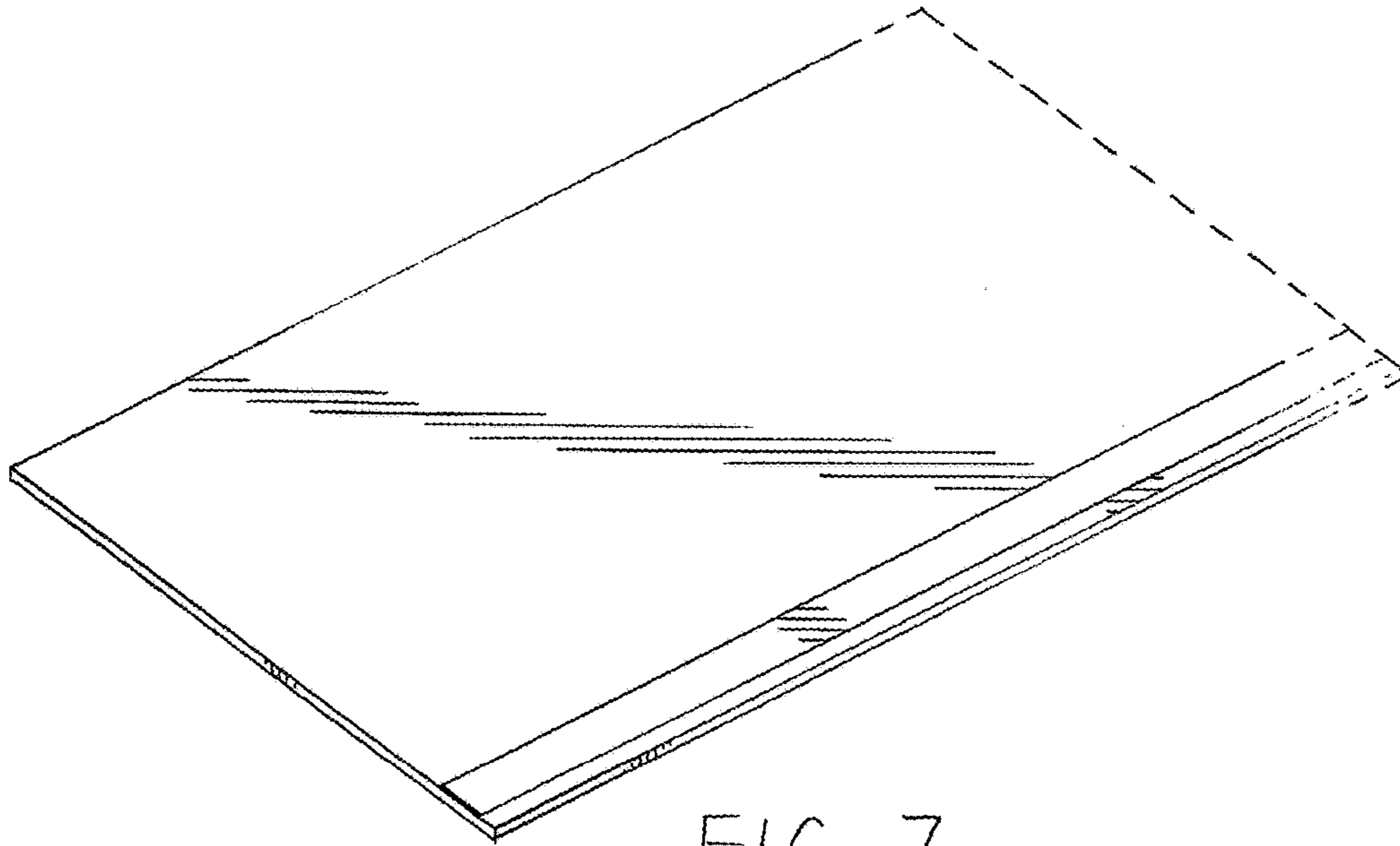


FIG. 7

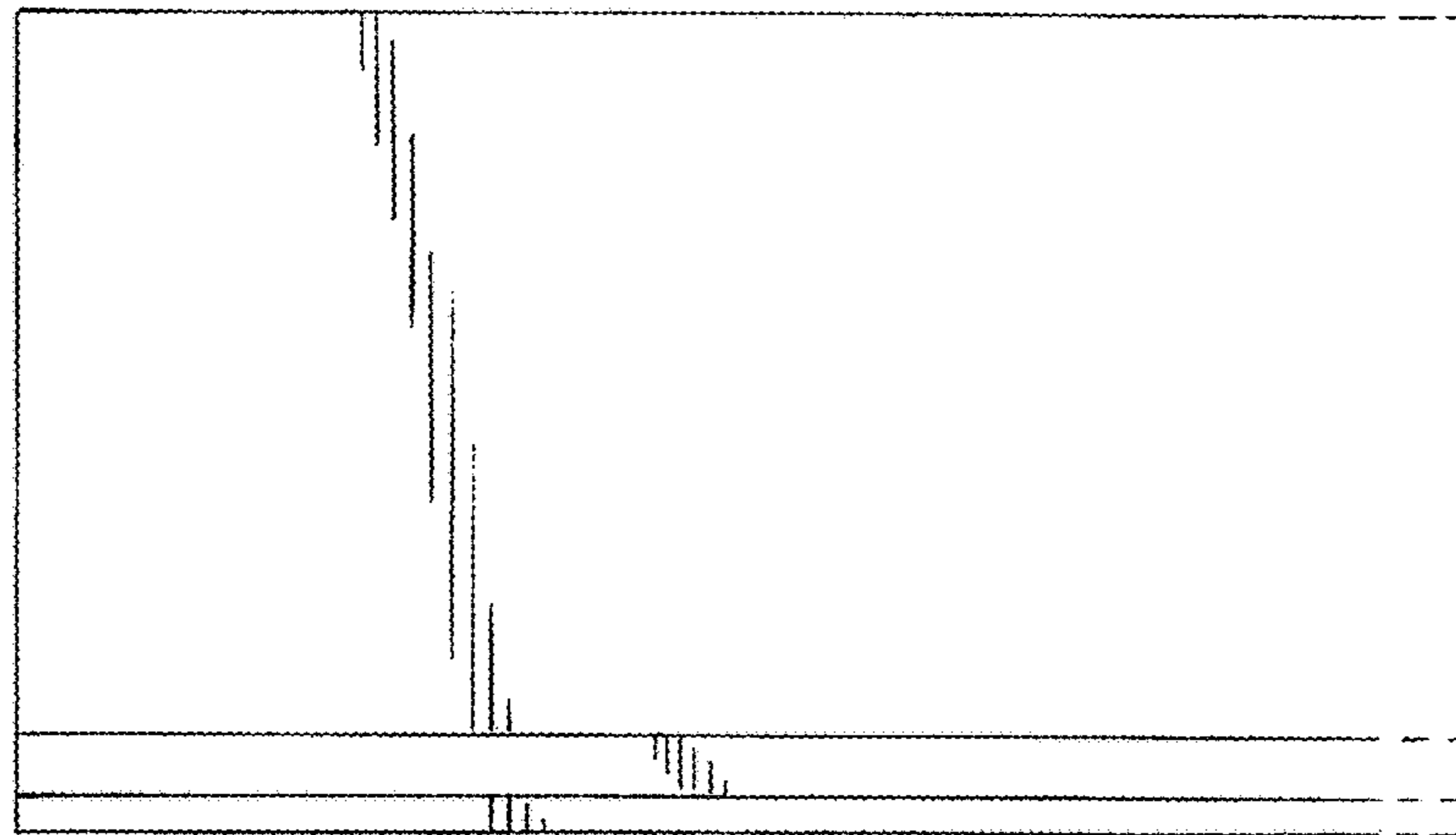


FIG. 8

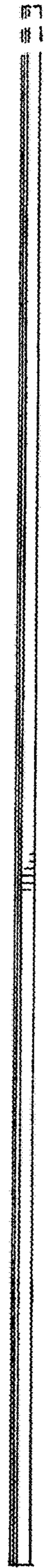


FIG. 9

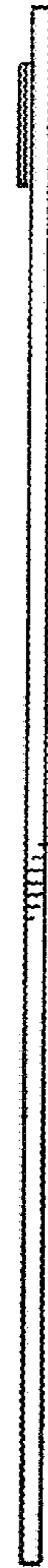


FIG. 10

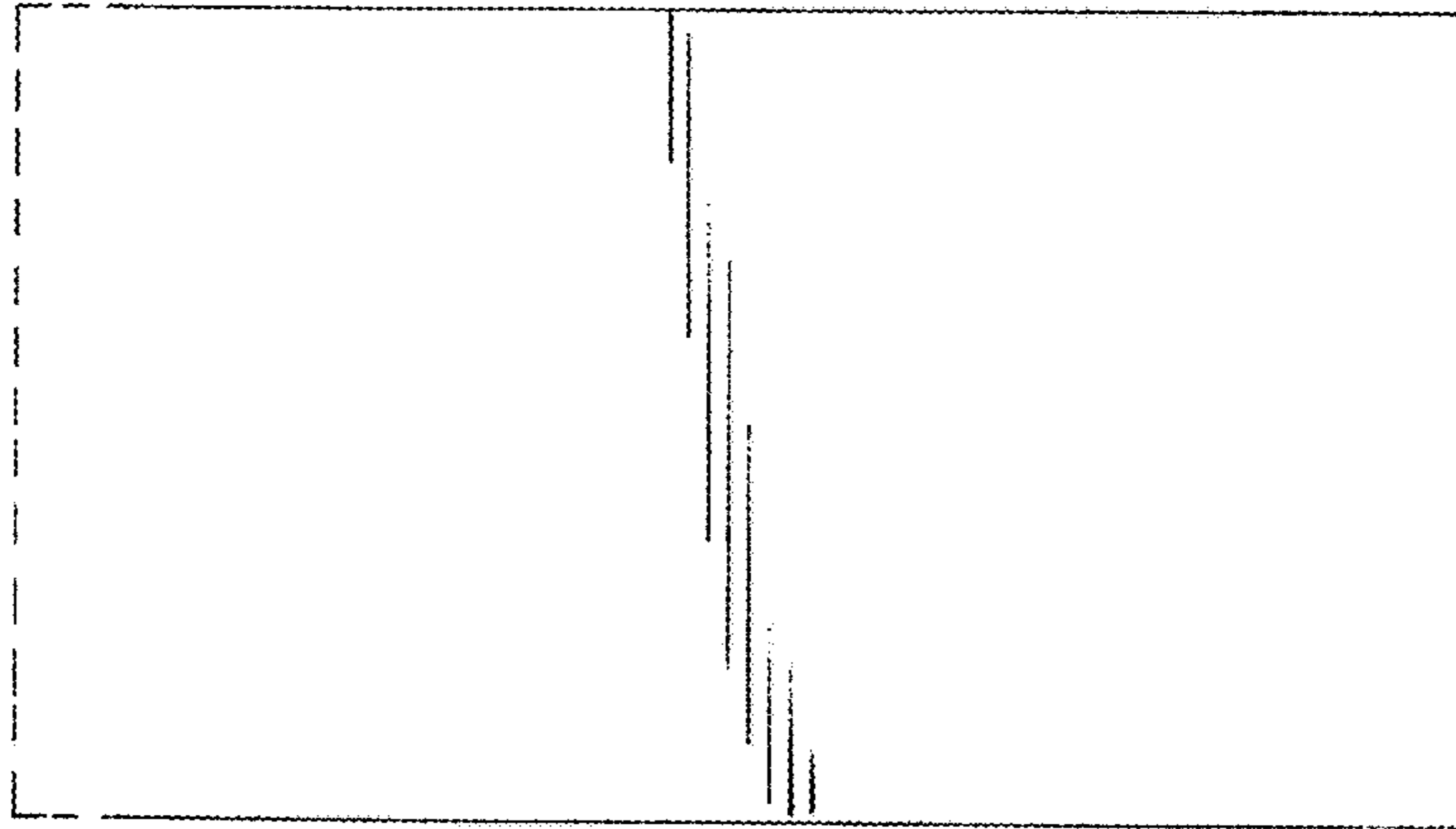


FIG. 11

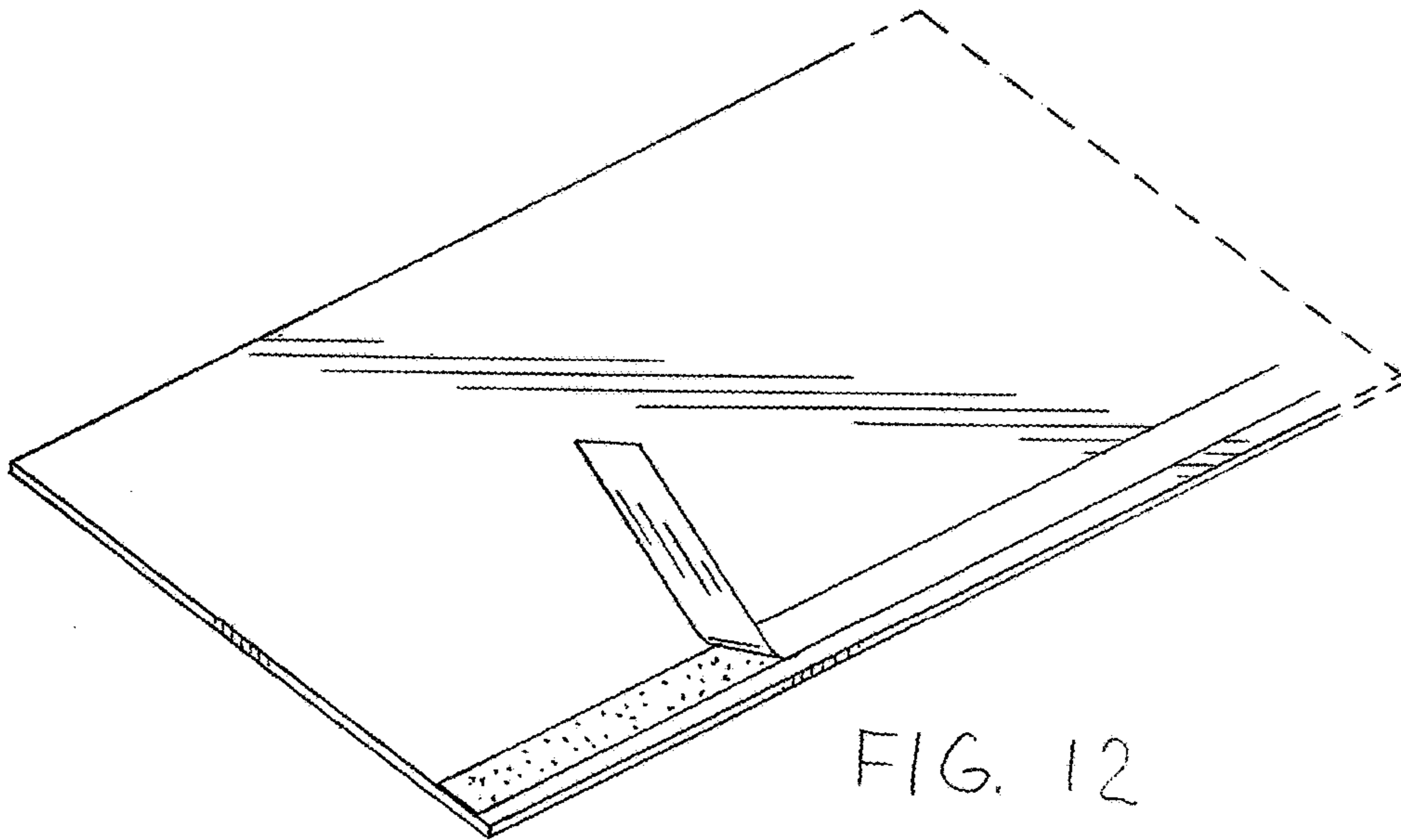


FIG. 12