



US00D831386S

(12) **United States Design Patent** (10) **Patent No.:** **US D831,386 S**
Glasgow (45) **Date of Patent:** **** Oct. 23, 2018**

(54) **FOREHEAD PILLOW**
(71) Applicant: **Glasgow Beauty Products LLC**,
Eagan, MN (US)
(72) Inventor: **Karrie Glasgow**, Eagan, MN (US)
(73) Assignee: **Glasgow Beauty Products, LLC**,
Eagan, MN (US)
(**) Term: **15 Years**

D309,393 S * 7/1990 Talaugon D6/601
5,378,042 A 1/1995 Daneshvar
5,816,265 A 10/1998 Ringo
6,039,710 A 3/2000 Kelley et al.
6,554,787 B1 4/2003 Griffin et al.
6,592,536 B1 7/2003 Argenta
6,651,256 B1 11/2003 Swift
6,913,019 B2 7/2005 Johns et al.
6,957,462 B1 10/2005 Wilcox
7,428,763 B2 9/2008 Hightower
8,069,856 B2 12/2011 Kell
8,088,141 B1 1/2012 Reyna
D655,964 S * 3/2012 Dror D6/601
8,234,733 B1 8/2012 Fuss

(21) Appl. No.: **29/626,160**

(22) Filed: **Nov. 15, 2017**

(51) **LOC (11) Cl.** **06-09**

(52) **U.S. Cl.**
USPC **D6/601**

(58) **Field of Classification Search**
USPC D6/596, 601; 5/631-633, 636-640
CPC A47G 9/10; A47G 9/1009; A47G
2009/1018; A47G 9/1027; A47G 9/1036;
A47G 9/1045; A47G 9/1054; A47G
9/1063; A47G 9/1072; A47G 9/1081;
A47G 9/109

See application file for complete search history.

(56) **References Cited**

U.S. PATENT DOCUMENTS

692,303 A 2/1902 Kendall
1,497,858 A 6/1924 Lewis
2,296,903 A 9/1942 Brown
2,533,527 A 12/1950 Snyder
2,696,007 A 12/1954 Larkin
2,765,480 A * 10/1956 Mueller A47C 7/021
5/630
2,996,724 A 8/1961 Rose et al.
3,354,884 A 11/1967 Rudo
3,672,362 A 6/1972 Basche
4,550,458 A 11/1985 Fiore
D282,407 S * 2/1986 Braun D2/866
4,679,263 A 7/1987 Honer

FOREIGN PATENT DOCUMENTS

WO 2016110878 A2 7/2016

Primary Examiner — R. Johnson

(74) *Attorney, Agent, or Firm* — Haugen Law Firm PLLP

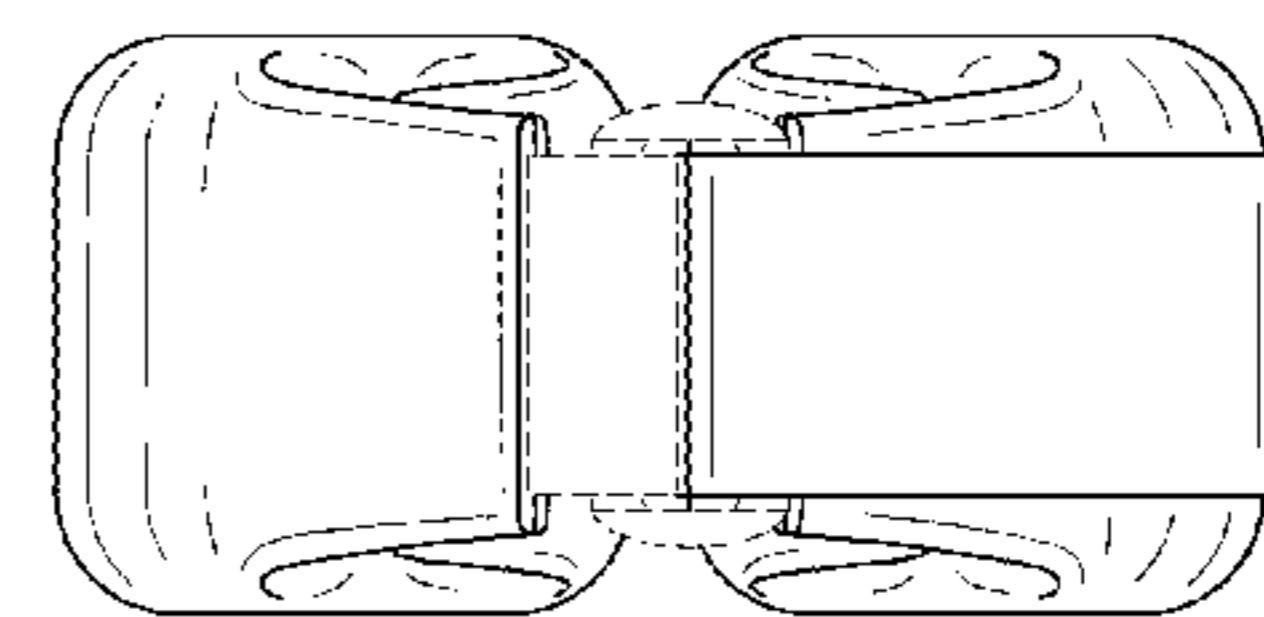
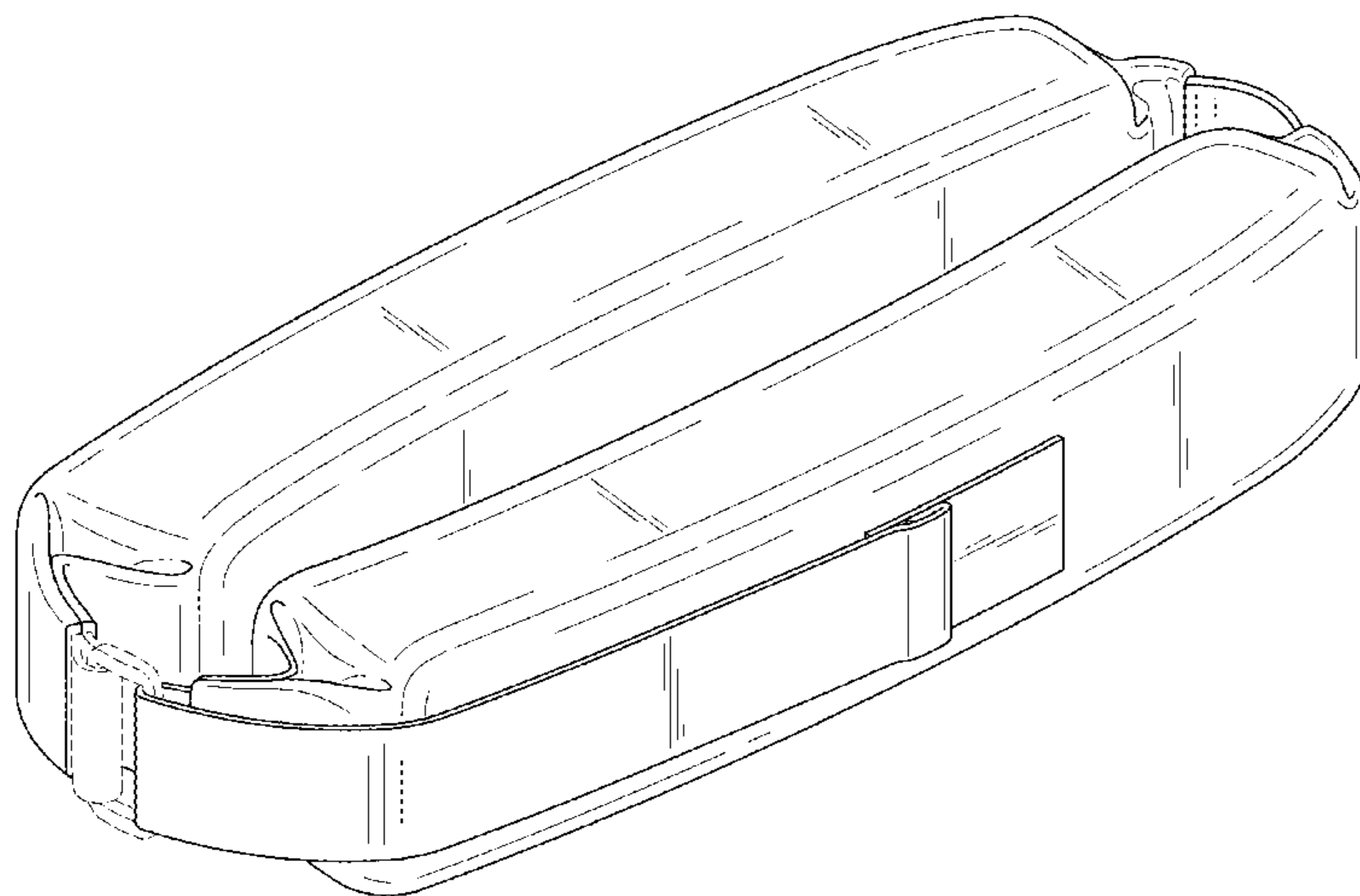
(57) **CLAIM**

The ornamental design for a forehead pillow, as shown and described.

DESCRIPTION

FIG. 1 is a back top perspective view of the forehead pillow of the present invention;
FIG. 2 is a top view thereof;
FIG. 3 is a bottom view thereof;
FIG. 4 is a left side view thereof;
FIG. 5 is a right side view thereof;
FIG. 6 is a back view thereof;
FIG. 7 is a front view thereof; and,
FIG. 8 is a perspective back view showing the forehead pillow being worn by a user; the shortened side strap adjusted to the circumference of the head. The portions shown in broken lines in all the figures form no part of the claimed design.

1 Claim, 6 Drawing Sheets



(56)

References Cited

U.S. PATENT DOCUMENTS

8,276,227	B2	10/2012	Pileggi	
8,555,417	B2	10/2013	Choi	
8,726,419	B2	5/2014	Vahey	
8,898,840	B1	12/2014	Majette	
9,010,195	B2	8/2015	Owoc	
9,138,072	B1 *	9/2015	Sanders A47D 13/083
9,186,276	B2	11/2015	Parziale	
9,289,082	B1	3/2016	White et al.	
9,375,105	B2	6/2016	Thomson	
9,474,387	B2	10/2016	McQuilton	
9,516,951	B2	12/2016	Rustemeyer	
9,723,881	B1	8/2017	Bauman	
2006/0106330	A1	5/2006	Andrade et al.	
2008/0189863	A1	8/2008	Zappas	
2010/0292727	A1	11/2010	Bloch	
2012/0186022	A1	7/2012	Navarro	
2012/0210516	A1	8/2012	Popovic	
2013/0025059	A1	1/2013	Ratte	
2013/0232693	A1	9/2013	Myers	
2014/0000644	A1	1/2014	Baldwin et al.	
2016/0120253	A1	5/2016	Schenk	

* cited by examiner

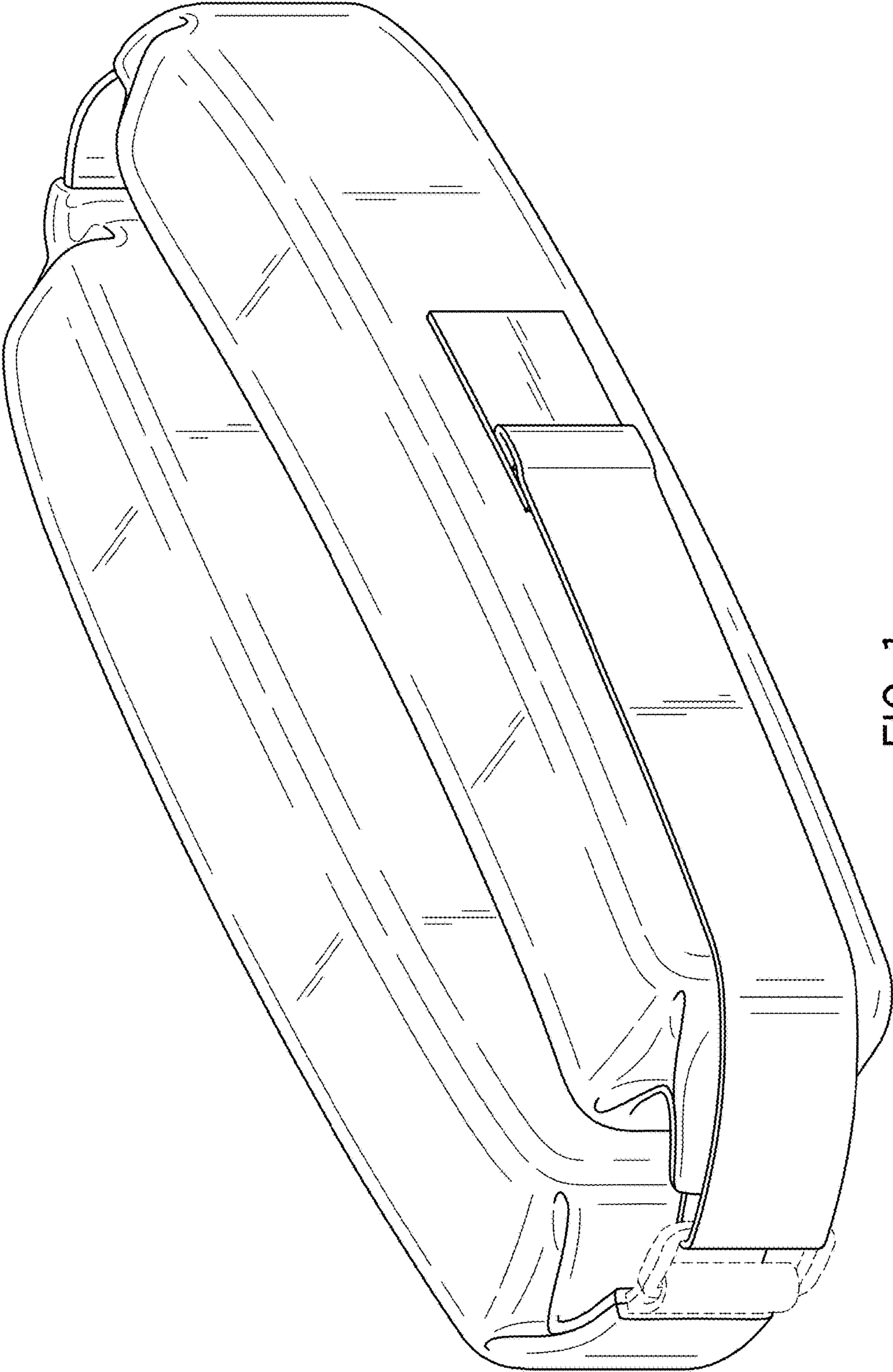


FIG. 1

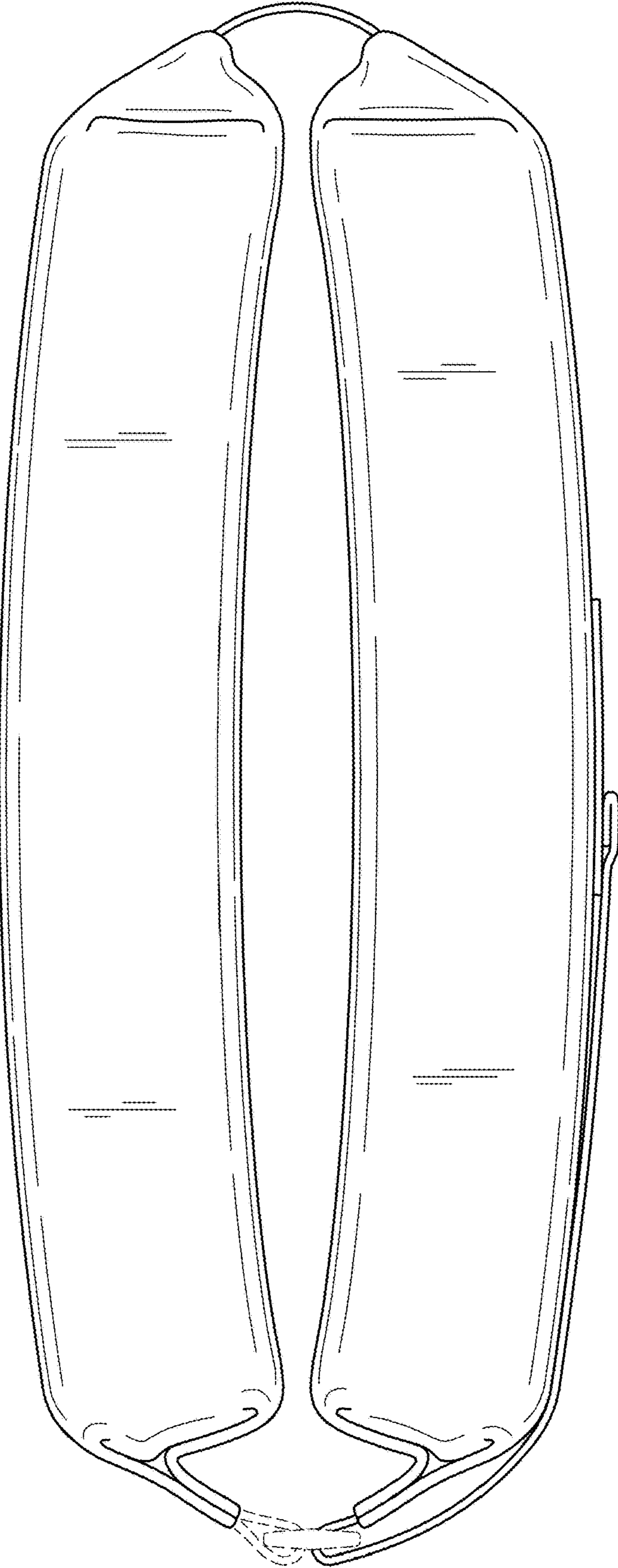


FIG. 2

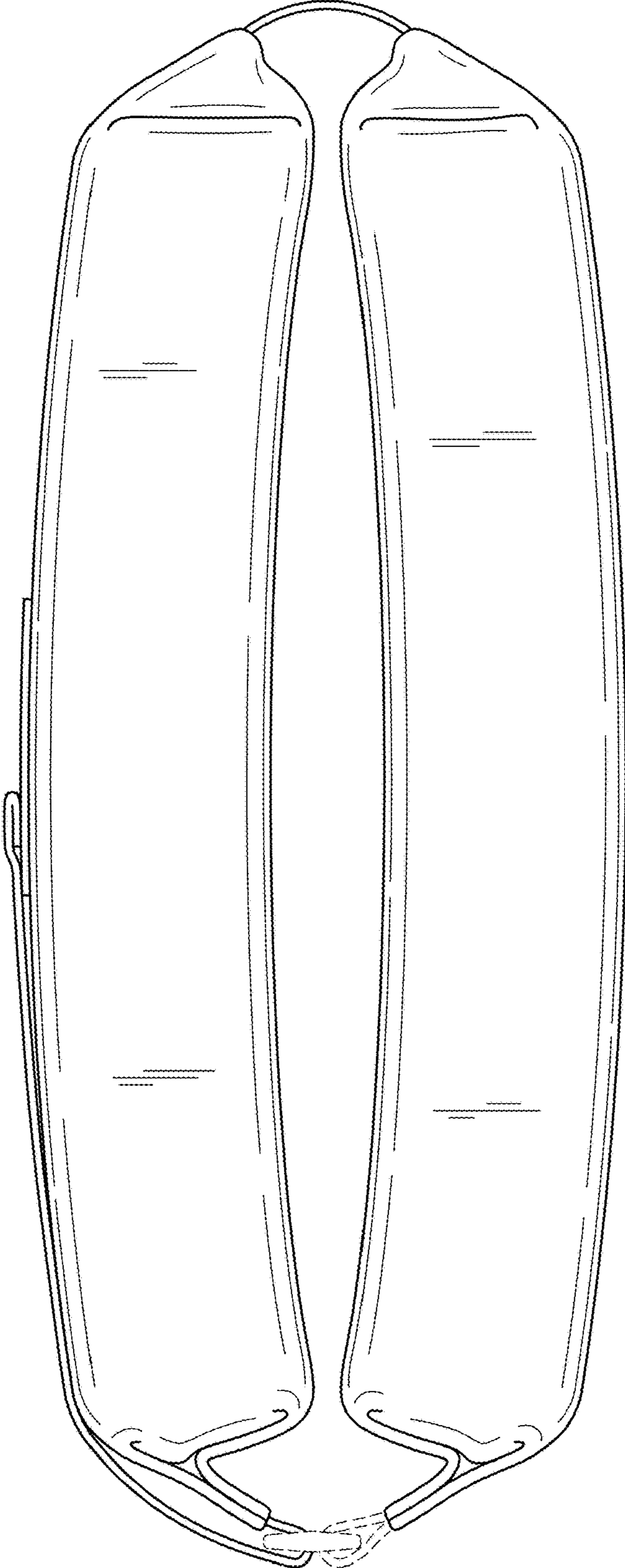


FIG. 3

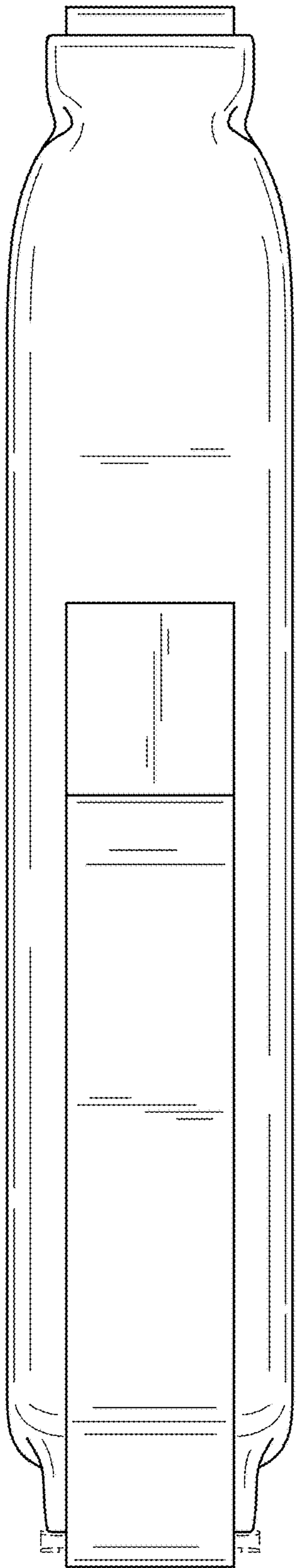


FIG. 4

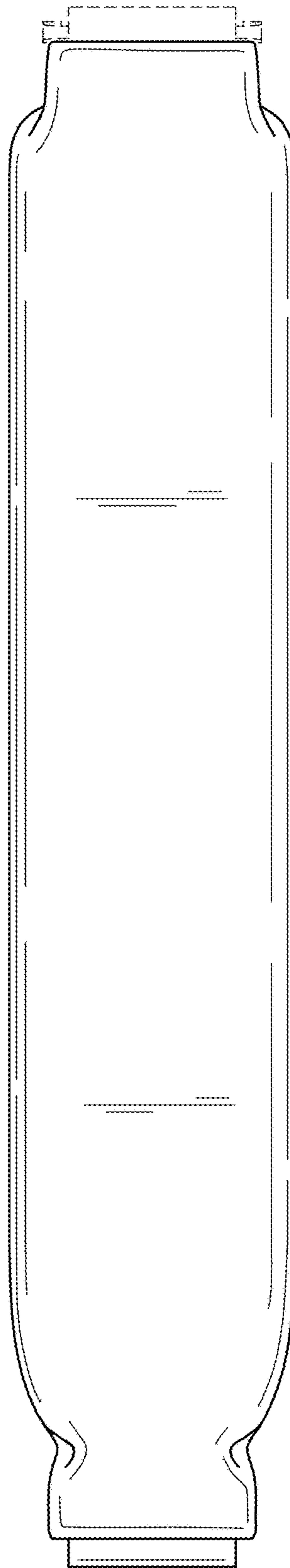


FIG. 5

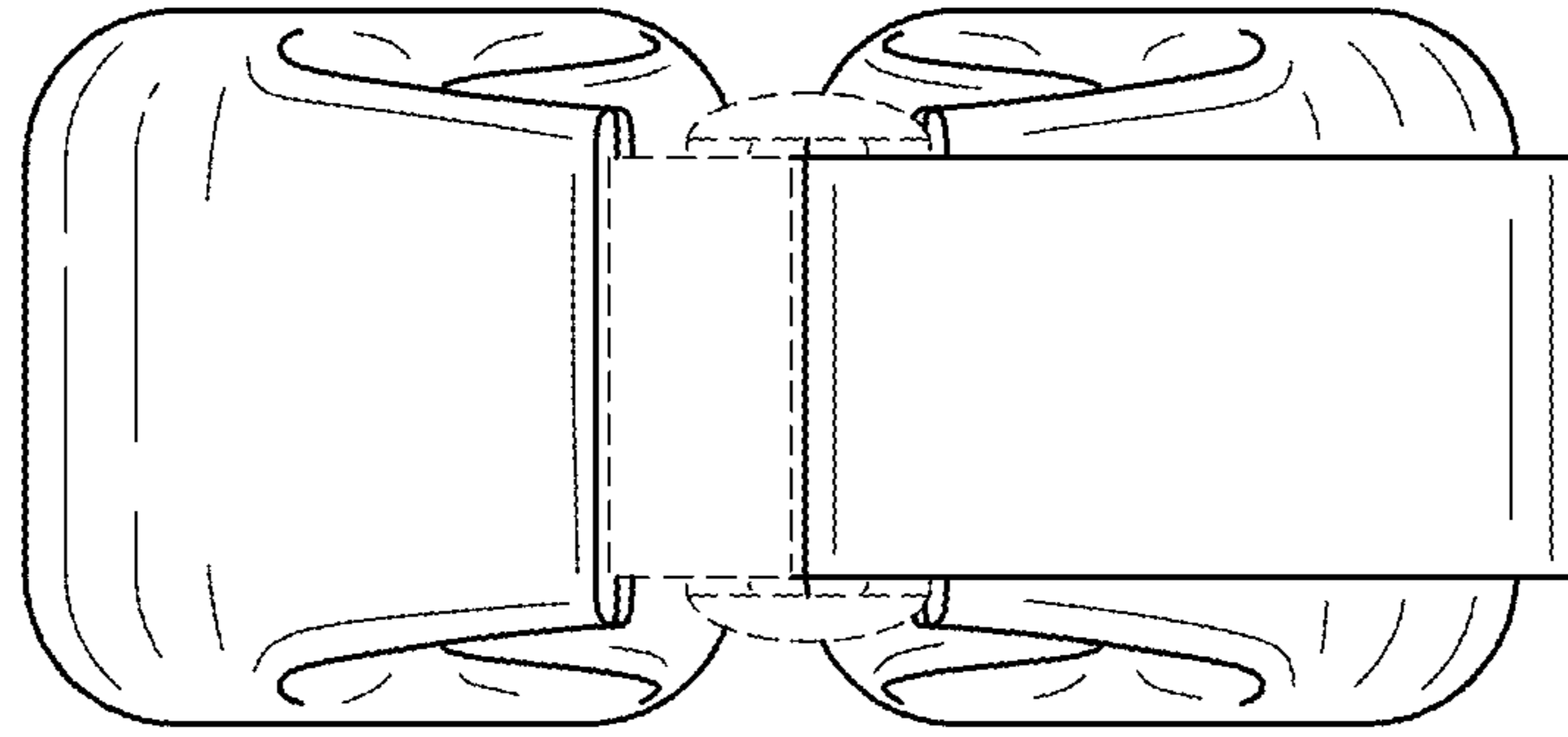


FIG. 6

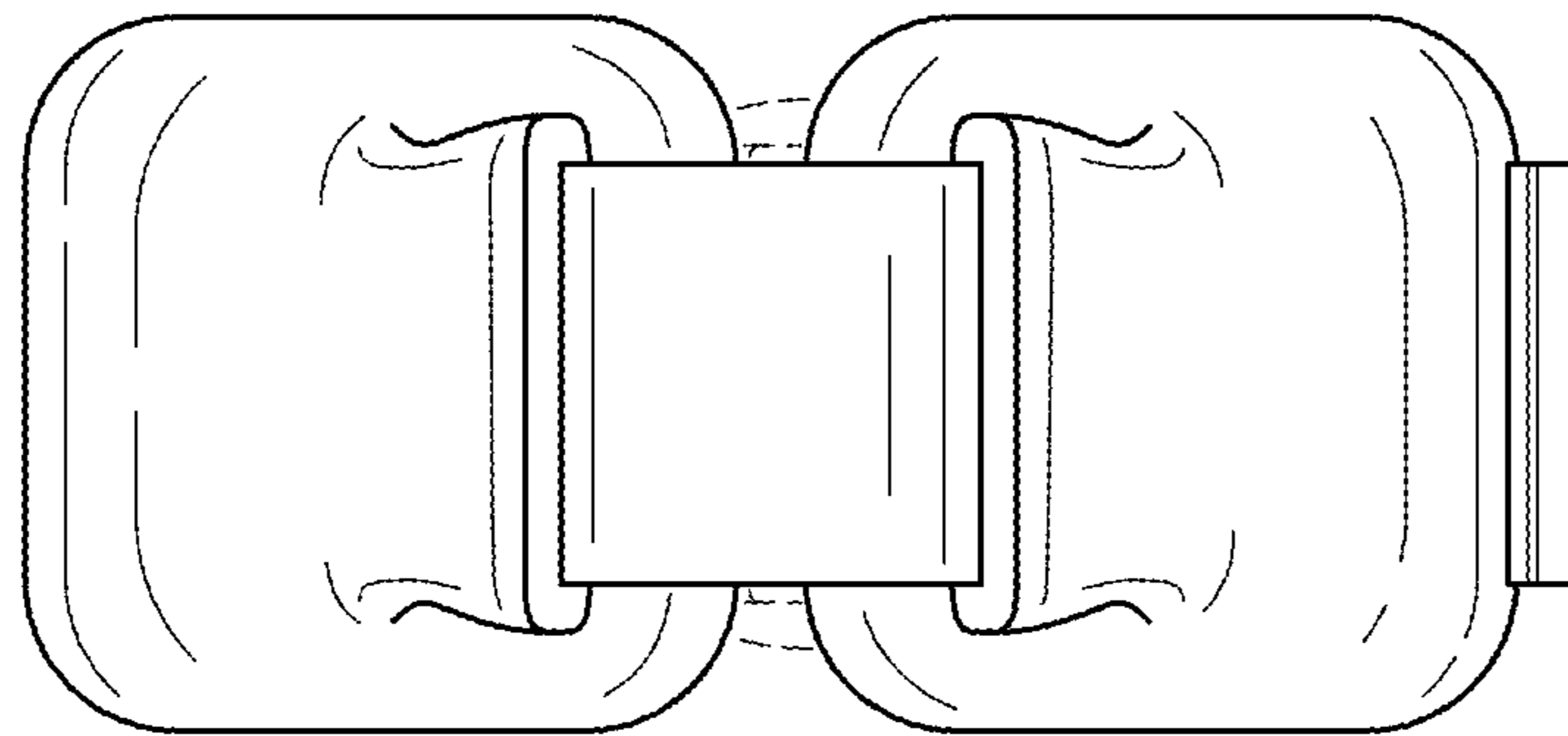


FIG. 7

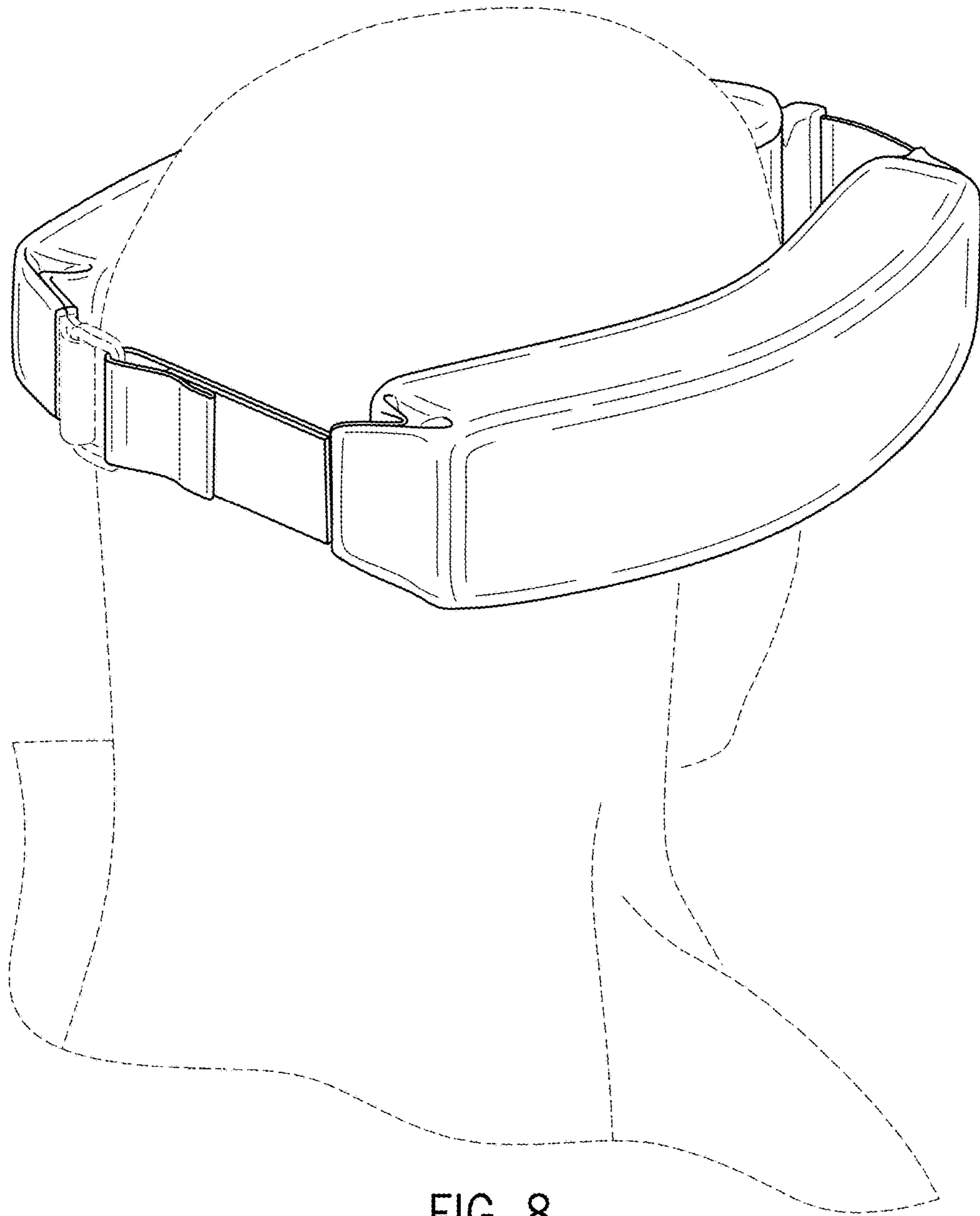


FIG. 8