



US00D831381S

(12) **United States Design Patent** (10) **Patent No.:** **US D831,381 S**
Bolos et al. (45) **Date of Patent:** **** Oct. 23, 2018**

(54) **SHELF SYSTEM**

(71) Applicant: **Dear Future Me LLC**, Chicago, IL (US)

(72) Inventors: **Michael F. Bolos**, Chicago, IL (US); **Jason Grohowski**, Chicago, IL (US); **Scott Wilson**, Chicago, IL (US); **Kyle Buzzard**, Lombard, IL (US); **Gary Paulsen**, Chicago, IL (US)

(73) Assignee: **ABVIOUS, LLC**, Burr Ridge, IL (US)

(**) Term: **15 Years**

(21) Appl. No.: **29/593,413**

(22) Filed: **Feb. 8, 2017**

(51) **LOC (11) Cl.** **06-04**

(52) **U.S. Cl.**

USPC **D6/574**

(58) **Field of Classification Search**

USPC D6/567, 568, 574, 329, 396, 417, 552, D6/553; 108/152; 211/13.1, 49.1, 60.1, 211/64, 70.5, 86.01, 87.01, 88.01, 89.01, 211/181.1; 248/121, 175, 200, 302

CPC A47K 3/281; A47K 3/001; A47K 5/04; A47B 96/022; A47B 96/021; A47B 96/024; A47B 96/066; A47B 55/00

See application file for complete search history.

(56) **References Cited**

U.S. PATENT DOCUMENTS

5,096,272 A 3/1992 Belokin et al.
D458,072 S 6/2002 Hoernig
D493,316 S 7/2004 Hoernig

(Continued)

Primary Examiner — Wan Laymon
Assistant Examiner — Mark Booker

(74) *Attorney, Agent, or Firm* — Barich IP Law Group

(57) **CLAIM**

The ornamental design for a shelf system, as shown and described.

DESCRIPTION

FIG. 1 is a top perspective view of a first embodiment of the shelf system having a lever-enabled suction structure.

FIG. 2 is a bottom perspective view of the first embodiment of the shelf system having a lever-enabled suction structure of FIG. 1.

FIG. 3 is a left side view of the first embodiment of the shelf system having a lever-enabled suction structure of FIG. 1.

FIG. 4 is a right side view of the first embodiment of the shelf system having a lever-enabled suction structure of FIG. 1.

FIG. 5 is a front view of the first embodiment of the shelf system having a lever-enabled suction structure of FIG. 1.

FIG. 6 is a rear view of the first embodiment of the shelf system having a lever-enabled suction structure of FIG. 1.

FIG. 7 is a top view of the first embodiment of the shelf system having a lever-enabled suction structure of FIG. 1.

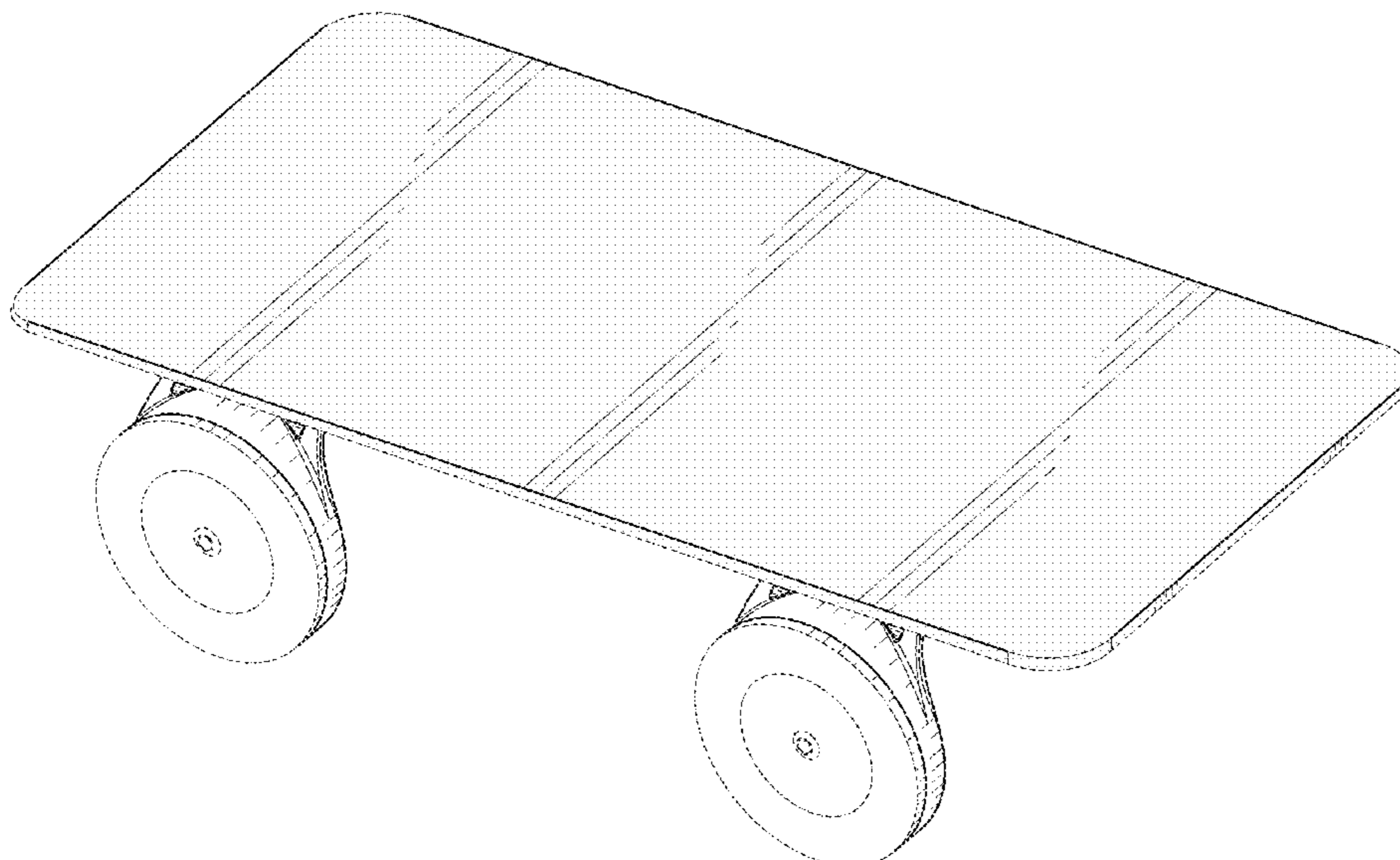
FIG. 8 is a bottom view of the first embodiment of the shelf system having a lever-enabled suction structure of FIG. 1.

FIG. 9 is the bottom perspective view of the first embodiment of the shelf system having a lever-enabled suction structure as shown in FIG. 2, but with the suction levers rotated upwards into a deactivated position; and,

FIG. 10 is a top perspective view of a second embodiment of the shelf system wherein the shelf is transparent. The other ornamental aspects of the embodiment of FIG. 10 are the same as shown in FIGS. 1-9.

The broken lines shown in the figures represent portions of the shelf system that form no part of the claimed design. The broken line showing immediately adjacent the shaded areas represents boundaries to the claimed design and forms no part of the claimed design.

1 Claim, 8 Drawing Sheets



(56)

References Cited

U.S. PATENT DOCUMENTS

D508,646	S	8/2005	Gates	
D509,088	S *	9/2005	Hoernig	D6/574
D520,288	S *	5/2006	Grosfillex	D6/574
D570,146	S *	6/2008	Bickler	D6/574
D577,239	S *	9/2008	Krumpe	D6/574
7,578,487	B2	8/2009	Kaneda et al.	
8,393,113	B2	3/2013	Rex	
2009/0045155	A1	2/2009	Howard	
2015/0108134	A1	4/2015	Fangyuan	
2017/0202281	A1	7/2017	Passaretti et al.	

* cited by examiner

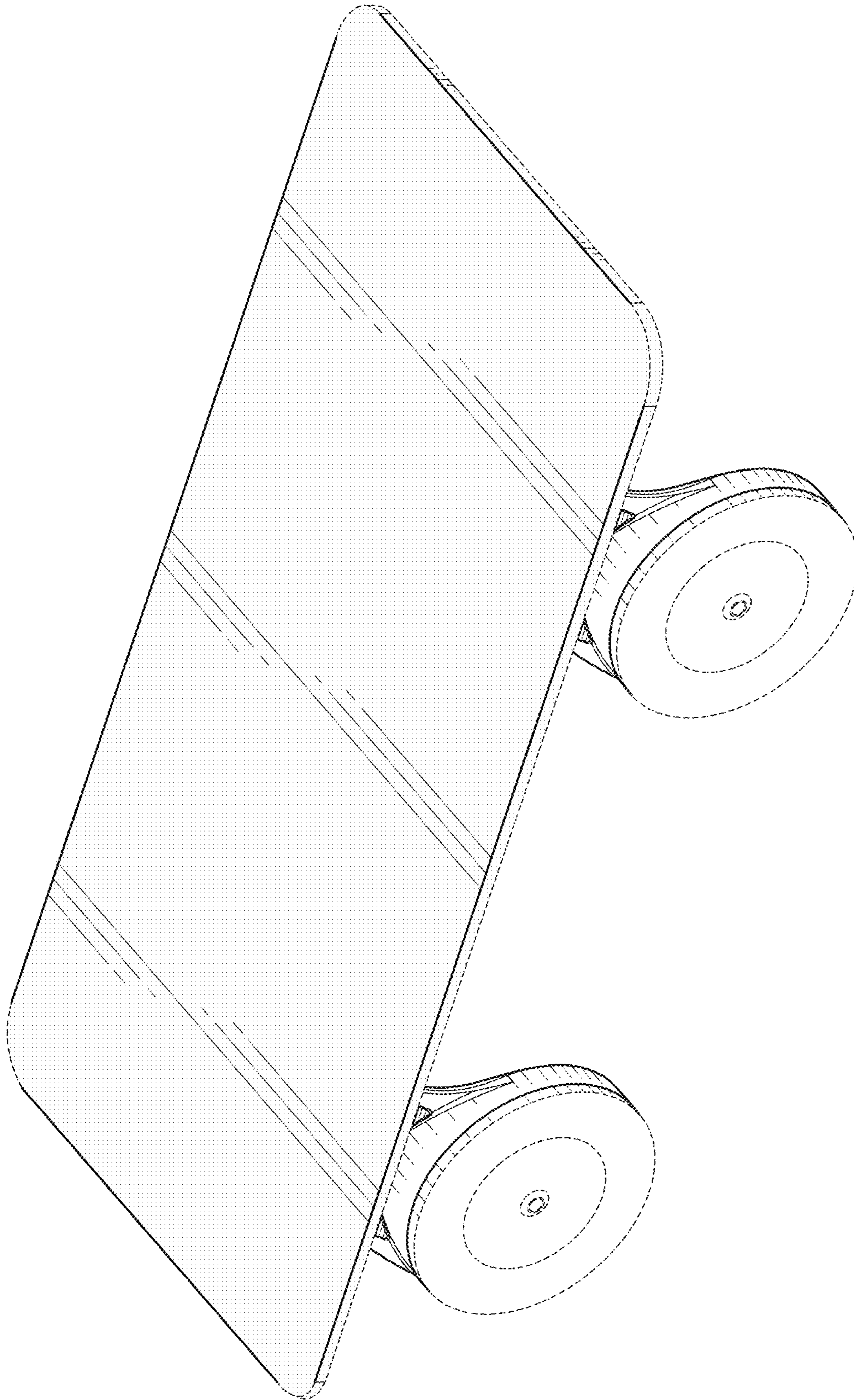


FIG. 1

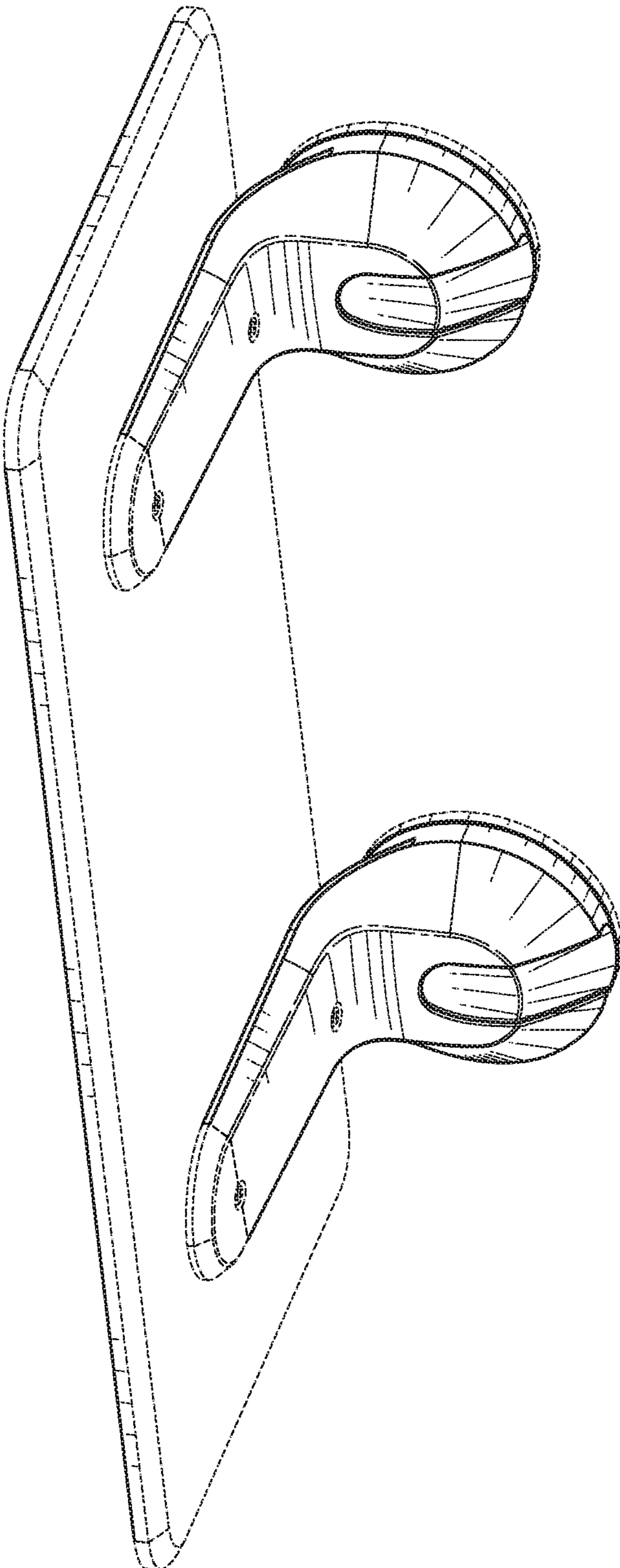


FIG. 2

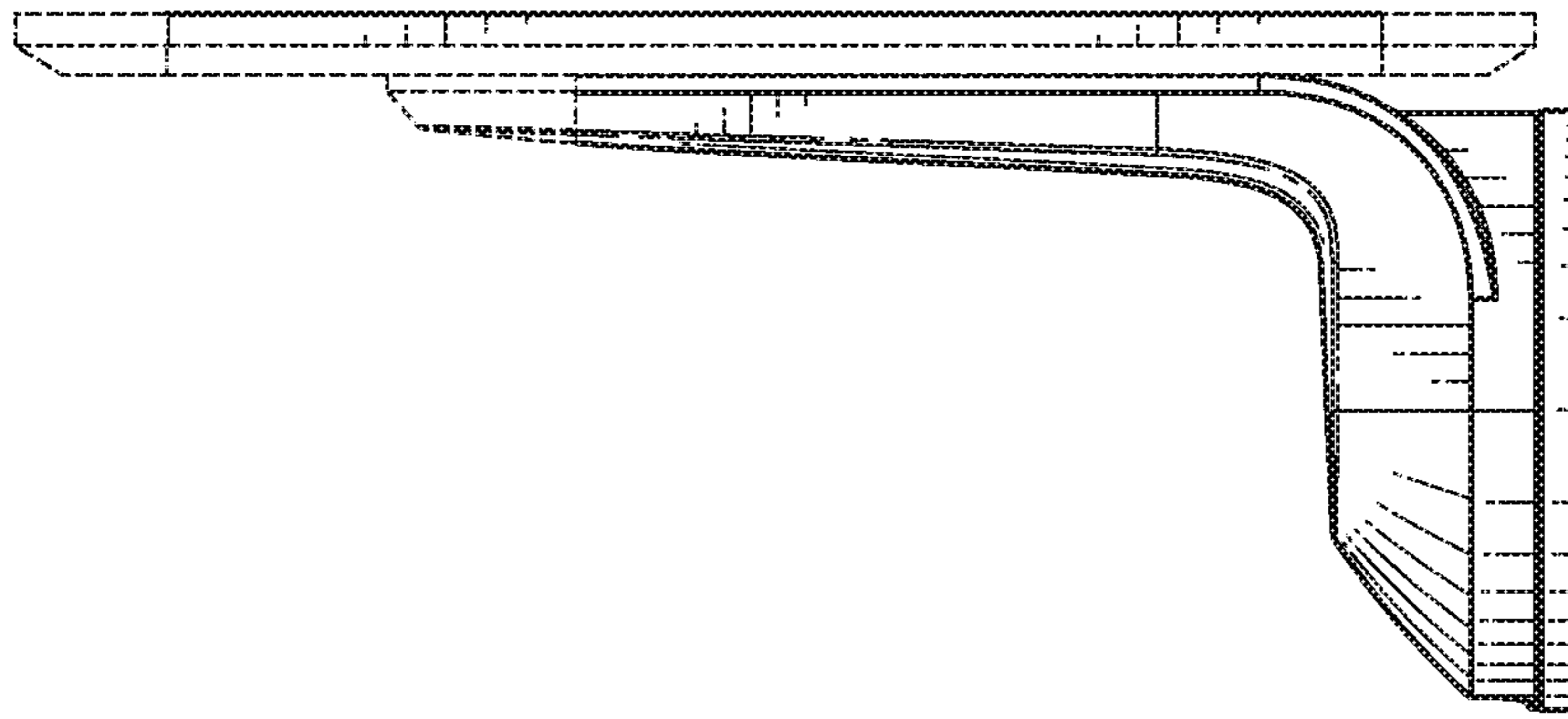


FIG. 3

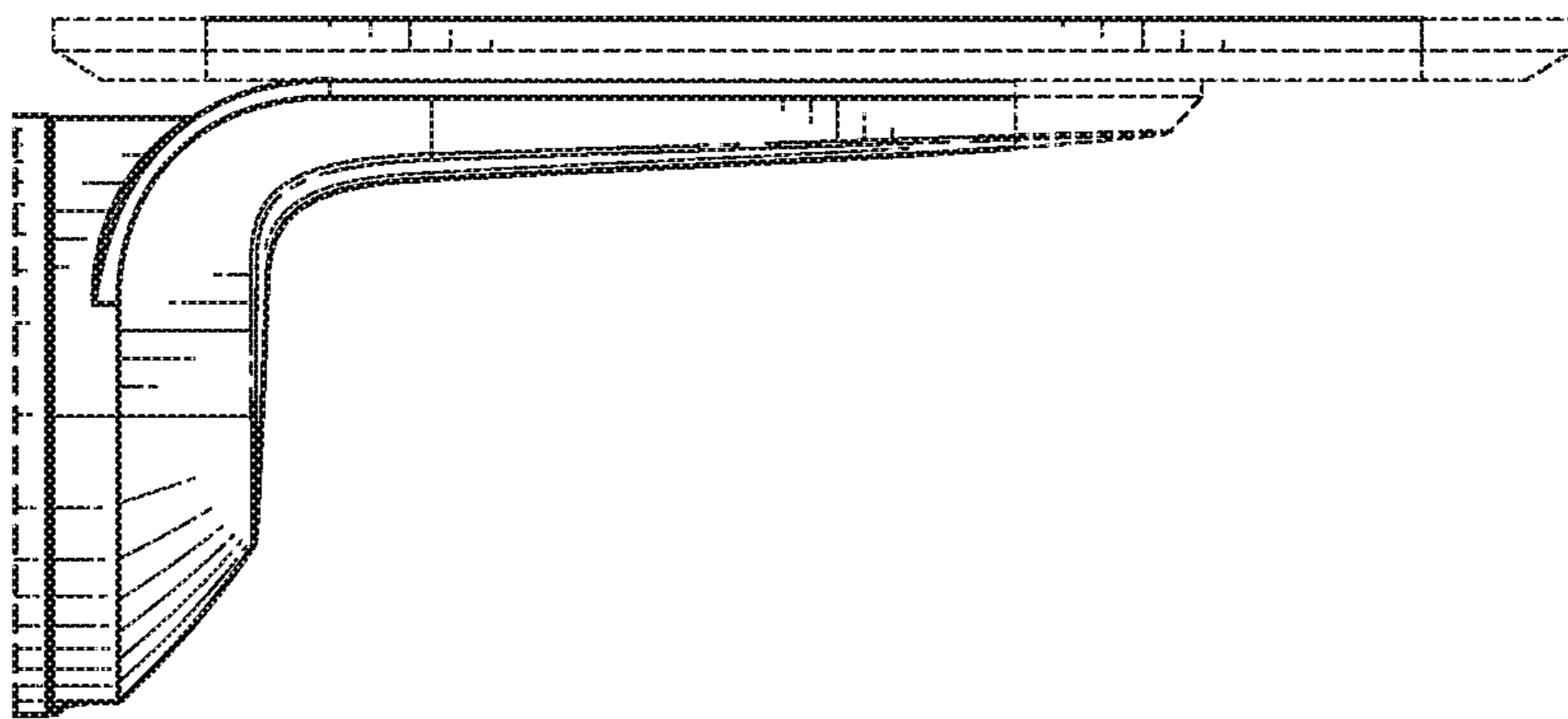


FIG. 4

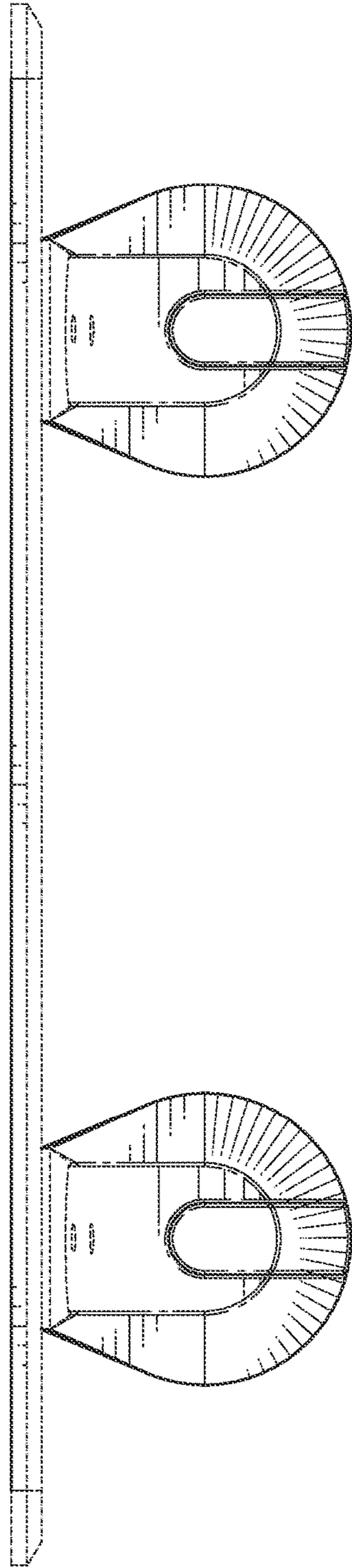


FIG. 5

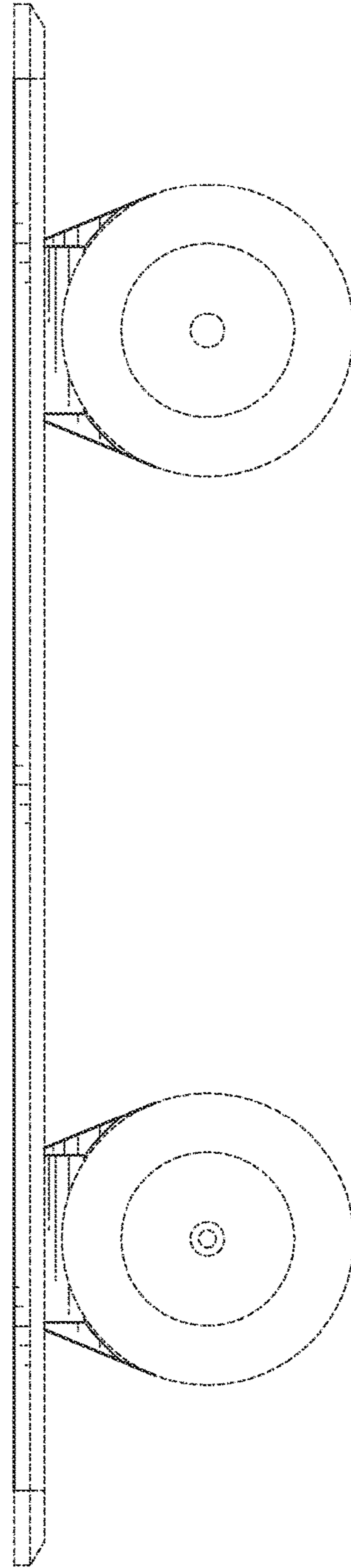


FIG. 6

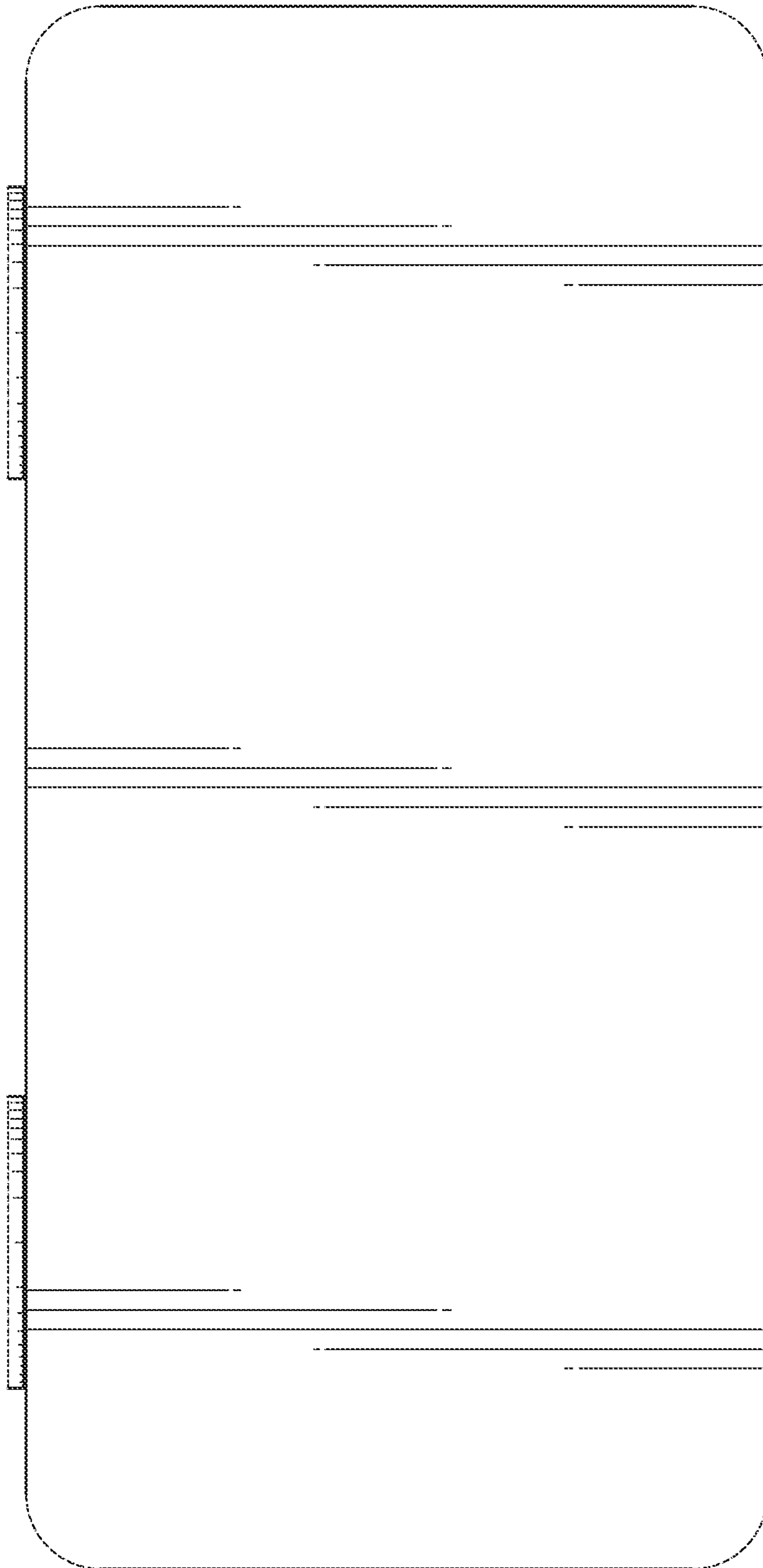


FIG. 7

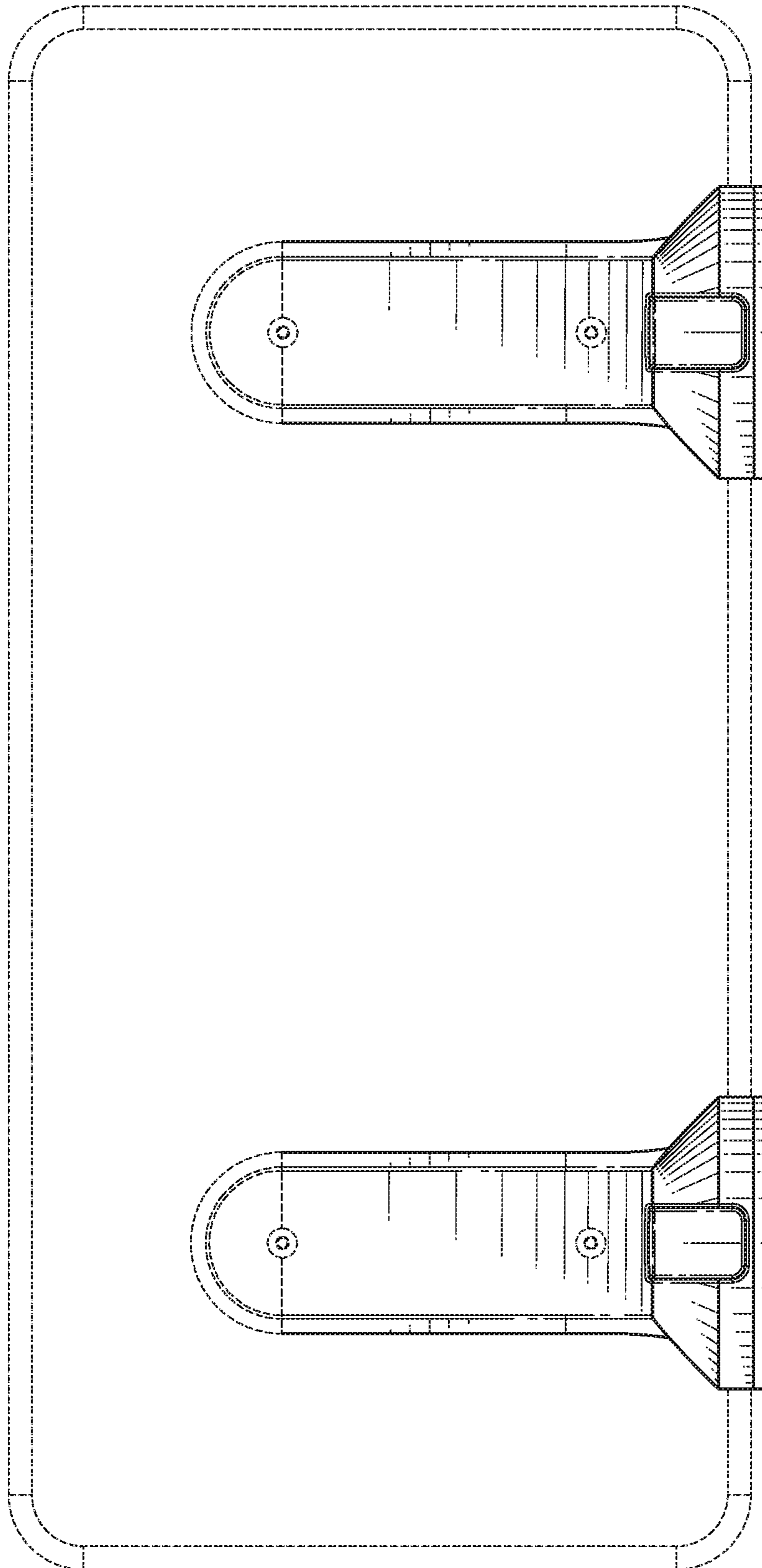


FIG. 8

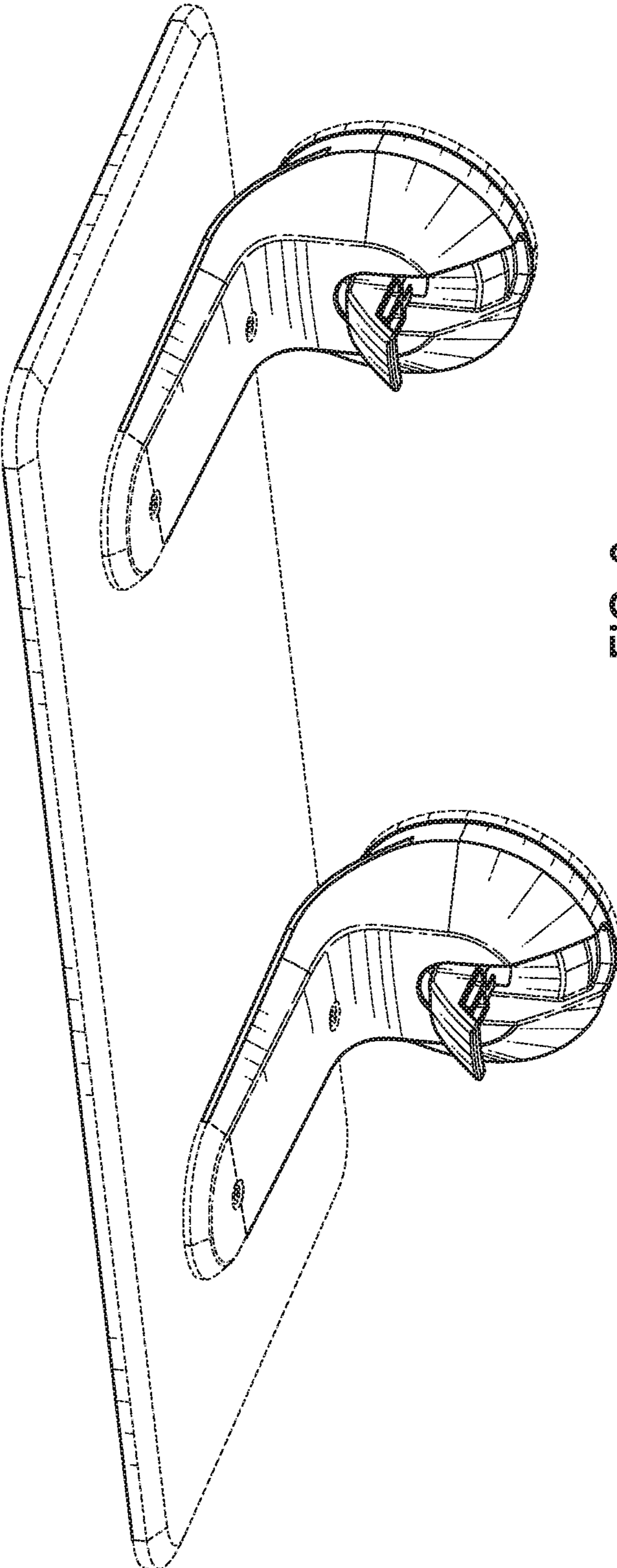


FIG. 9

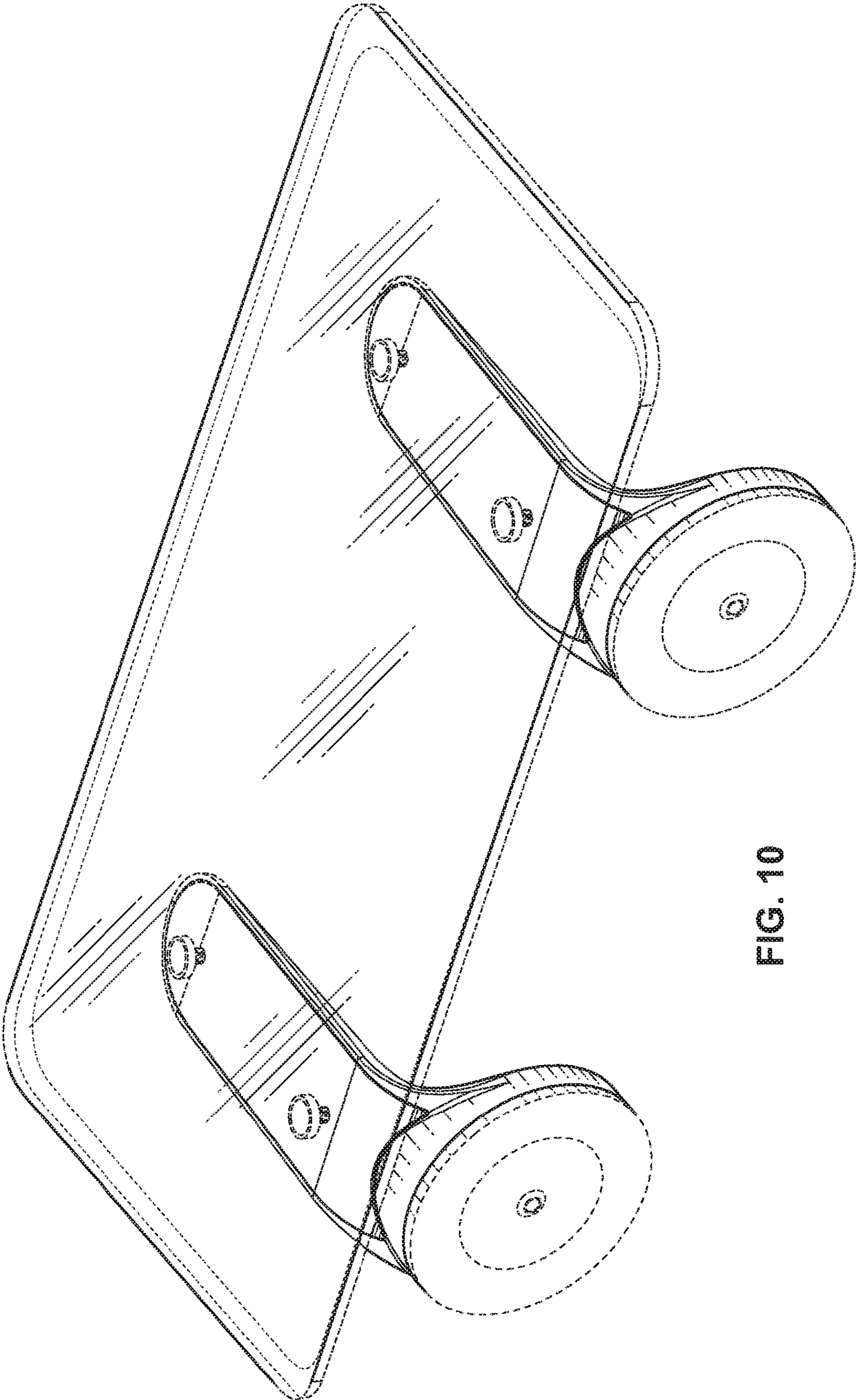


FIG. 10