



US00D831376S

(12) **United States Design Patent**  
**Ziemann et al.**

(10) **Patent No.:** **US D831,376 S**  
(45) **Date of Patent:** **\*\* Oct. 23, 2018**

(54) **SOAP DISPENSER**

D495,032 S \* 8/2004 Dretzka ..... D23/238  
D578,814 S \* 10/2008 Dretzka ..... D6/542  
D672,177 S \* 12/2012 Zeng ..... D6/542

(71) Applicant: **BLANCO GmbH + Co KG**,  
Oberderdingen (DE)

\* cited by examiner

(72) Inventors: **Brigitte Ziemann**, Eppingen (DE);  
**Thomas Funke**, Eppingen (DE)

*Primary Examiner* — Wan Laymon  
*Assistant Examiner* — Mark Booker

(73) Assignee: **BLANCO GmbH + Co KG**,  
Oberderdingen (DE)

(74) *Attorney, Agent, or Firm* — Hanley, Flight and  
Zimmerman, LLC

(\*\*) Term: **15 Years**

(21) Appl. No.: **29/599,068**

(57) **CLAIM**

(22) Filed: **Mar. 30, 2017**

The ornamental design for a soap dispenser, as shown and  
described.

(51) **LOC (11) Cl.** ..... **23-02**

(52) **U.S. Cl.**

USPC ..... **D6/542**

(58) **Field of Classification Search**

USPC ..... D6/542, 512, 543–545; D9/291, 448,  
D9/449, 682, 688, 690; 221/14, 146.3,  
221/173, 181.1, 181.3, 251, 282, 628;  
D23/238

CPC ..... B67D 1/001; B67D 1/06; B67D 3/0029;  
A47K 7/04; A47G 19/24; B65D 23/003;  
B65D 83/40; B65D 50/045; B05B  
11/3001; F16N 3/10

See application file for complete search history.

**DESCRIPTION**

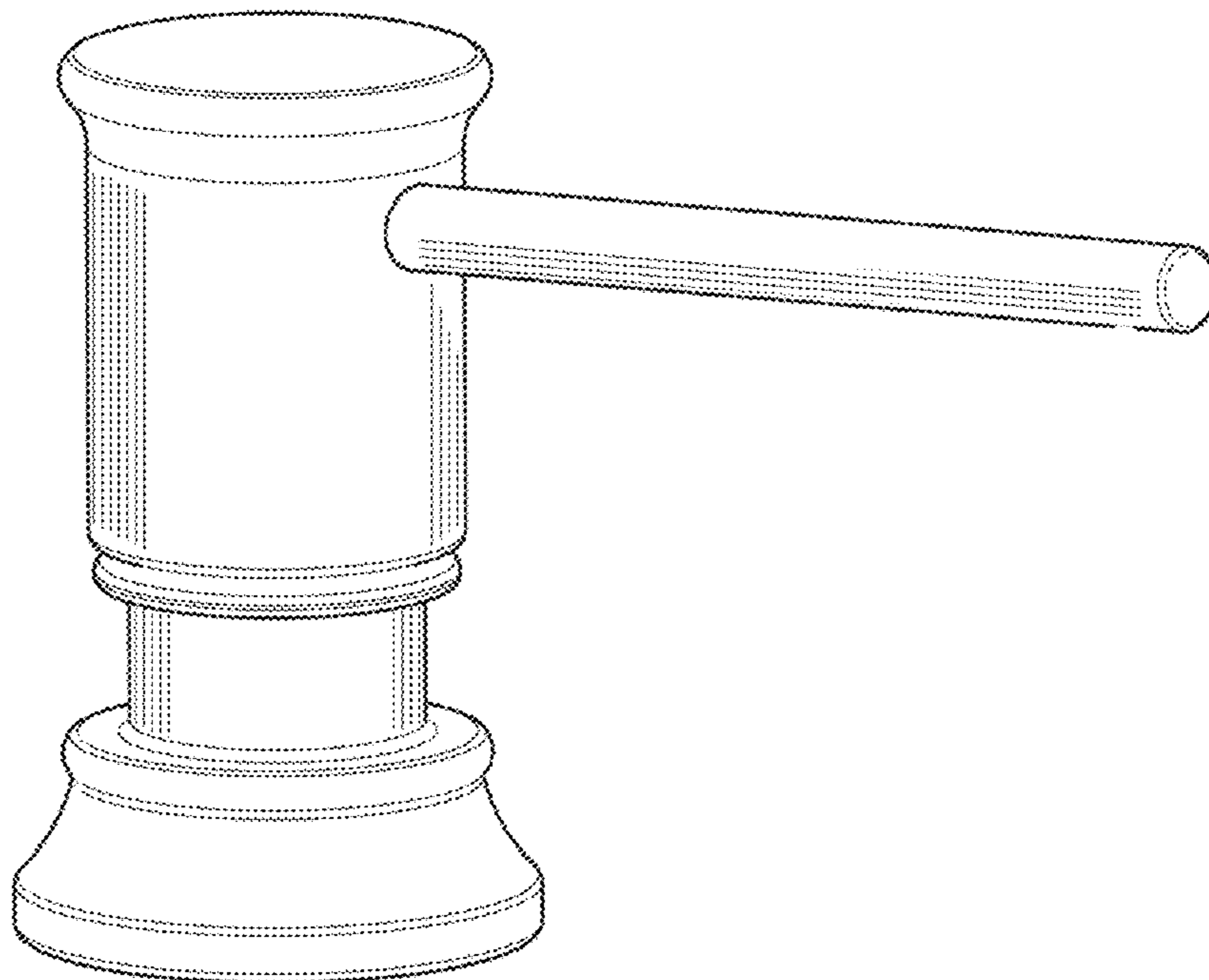
FIG. 1 is a perspective view of a soap dispenser.  
FIG. 2 is a top plan view of the soap dispenser of FIG. 1.  
FIG. 3 is a bottom plan view of the soap dispenser of FIG.  
1.  
FIG. 4 is a front view of the soap dispenser of FIG. 1.  
FIG. 5 is a rear view of the soap dispenser of FIG. 1.  
FIG. 6 is a right side view of the soap dispenser of FIG. 1;  
and,  
FIG. 7 is a left side view of the soap dispenser of FIG. 1.  
The features shown in broken lines form no part of the  
claimed design.

(56) **References Cited**

U.S. PATENT DOCUMENTS

D453,648 S \* 2/2002 Gottwald ..... D6/545

**1 Claim, 7 Drawing Sheets**



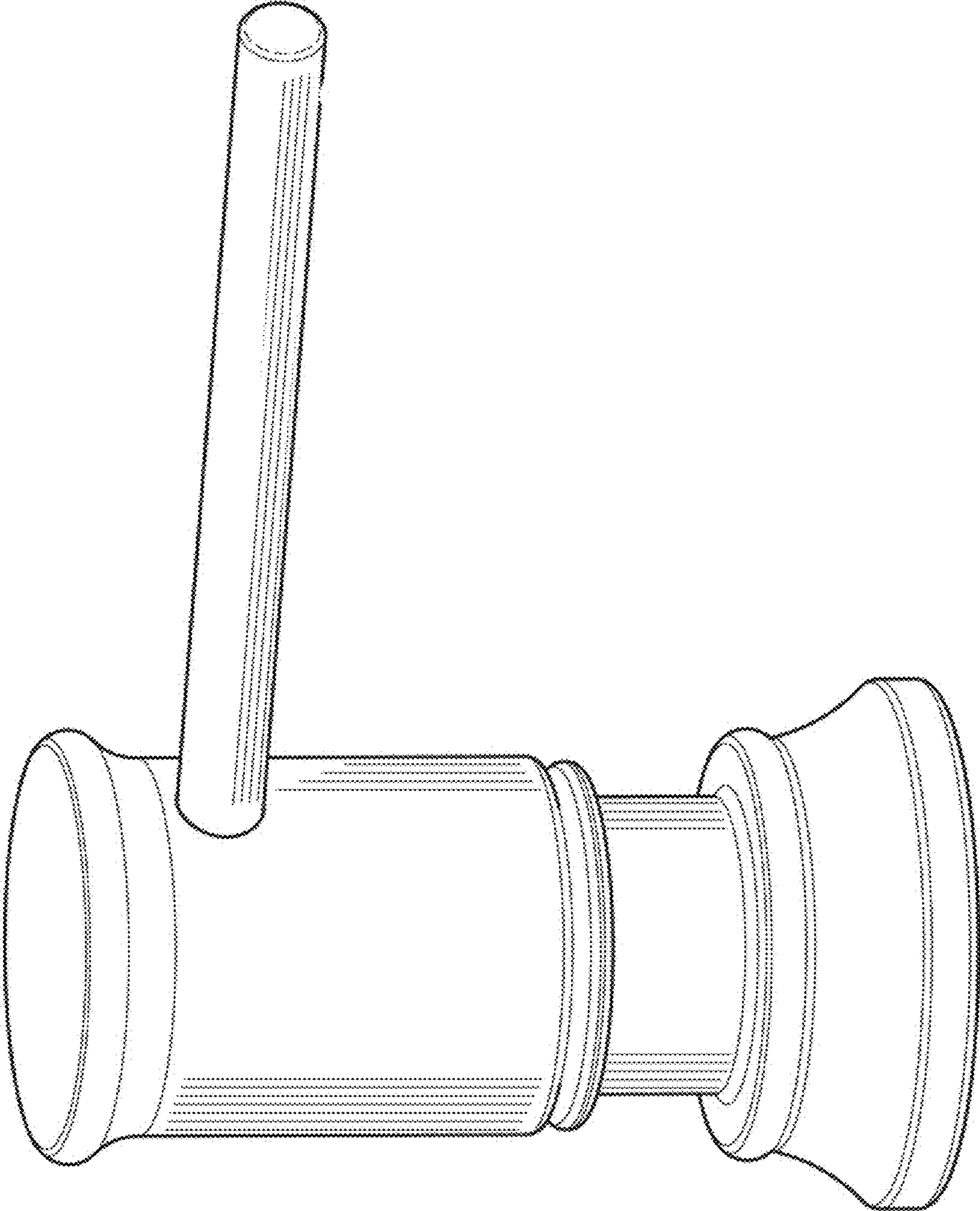


FIG. 1

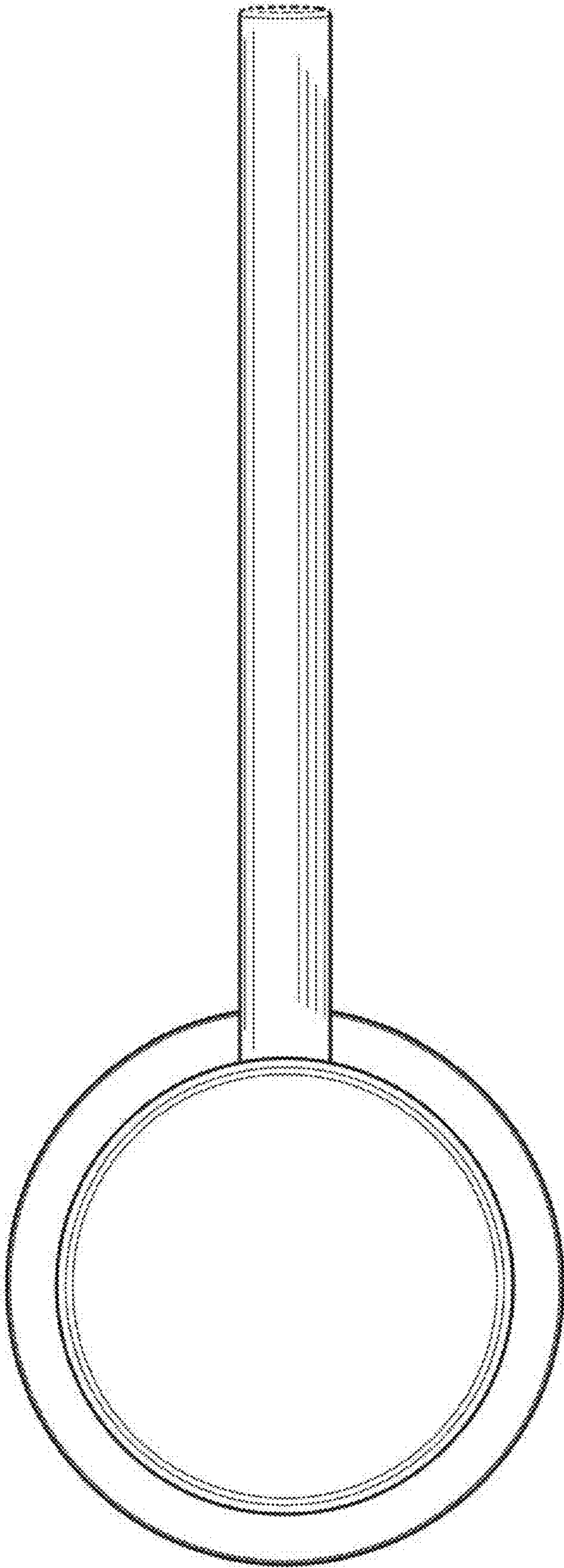


FIG. 2

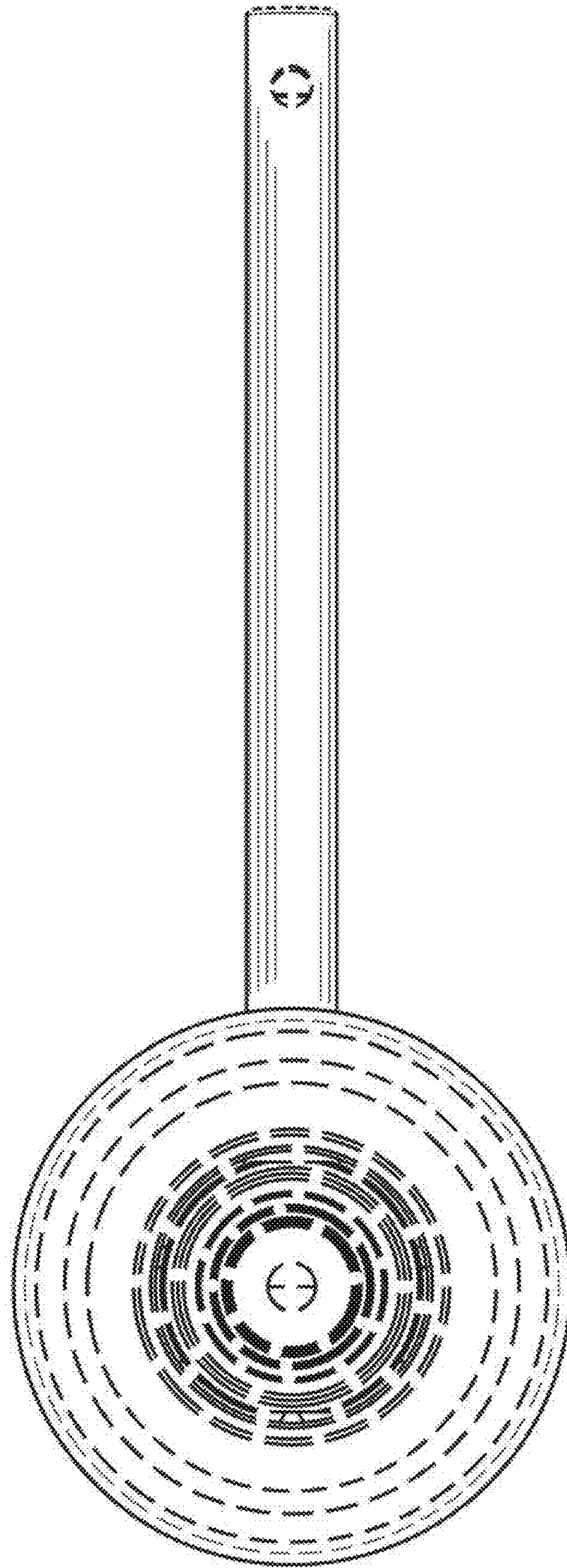


FIG. 3

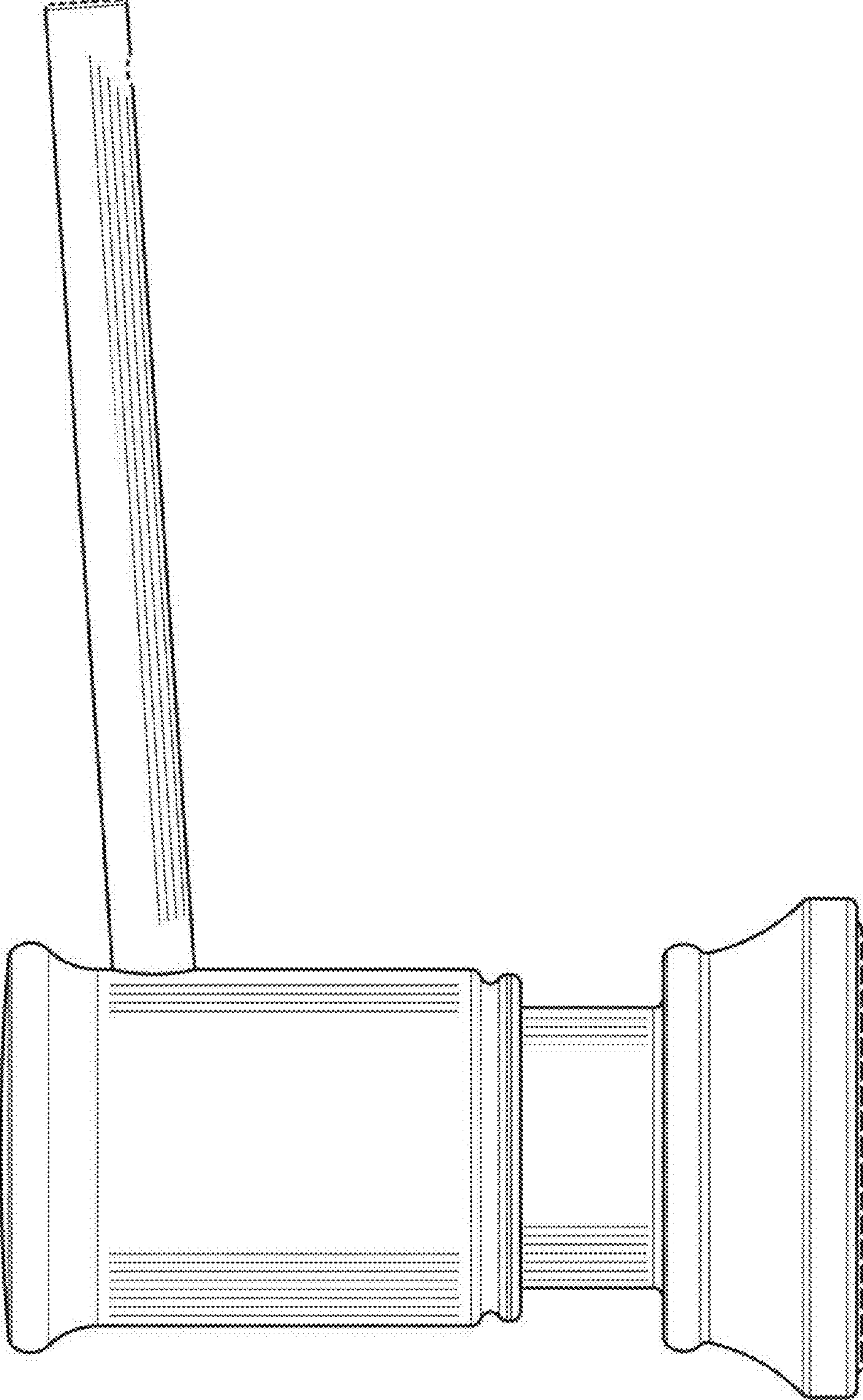


FIG. 4

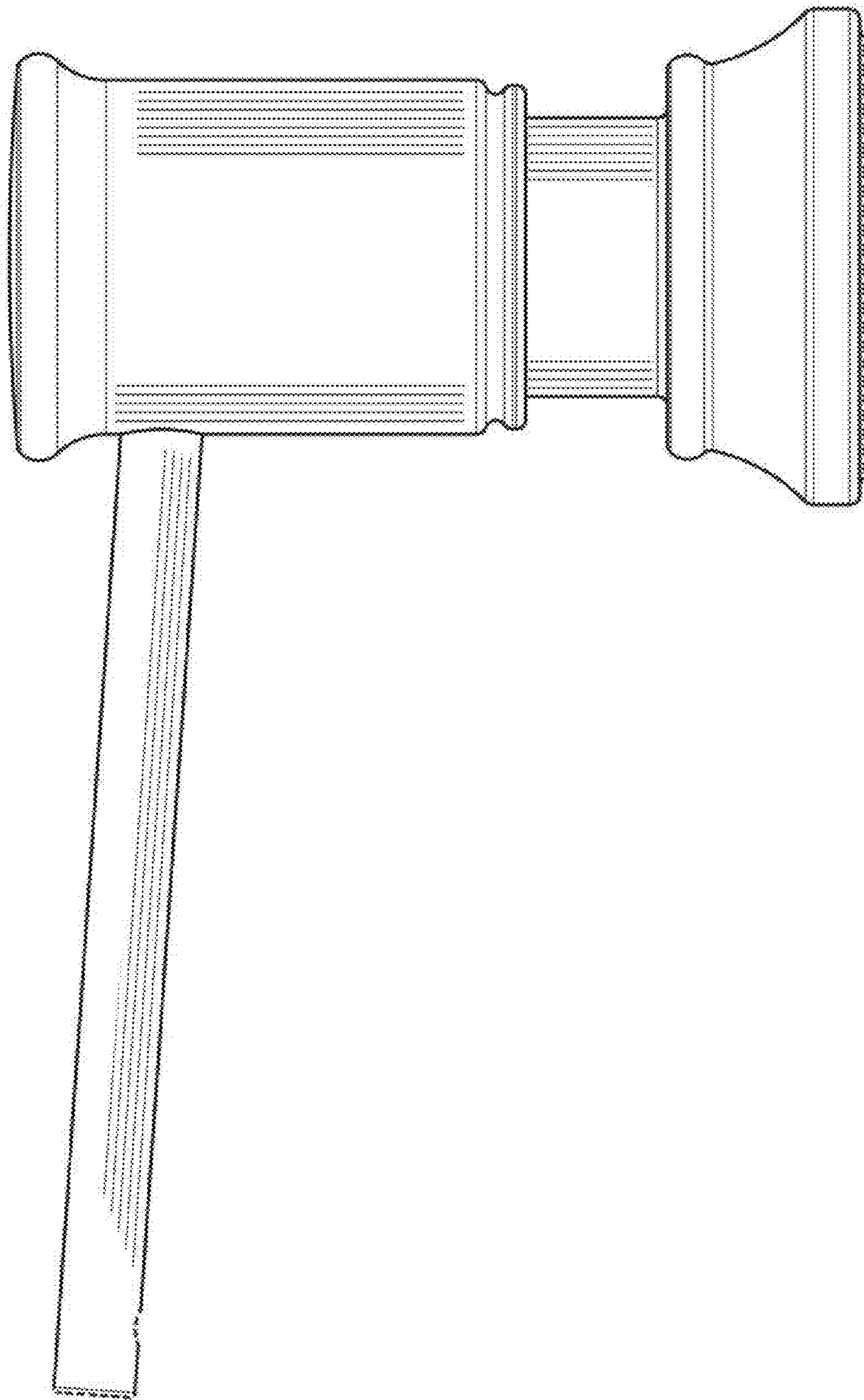


FIG. 5

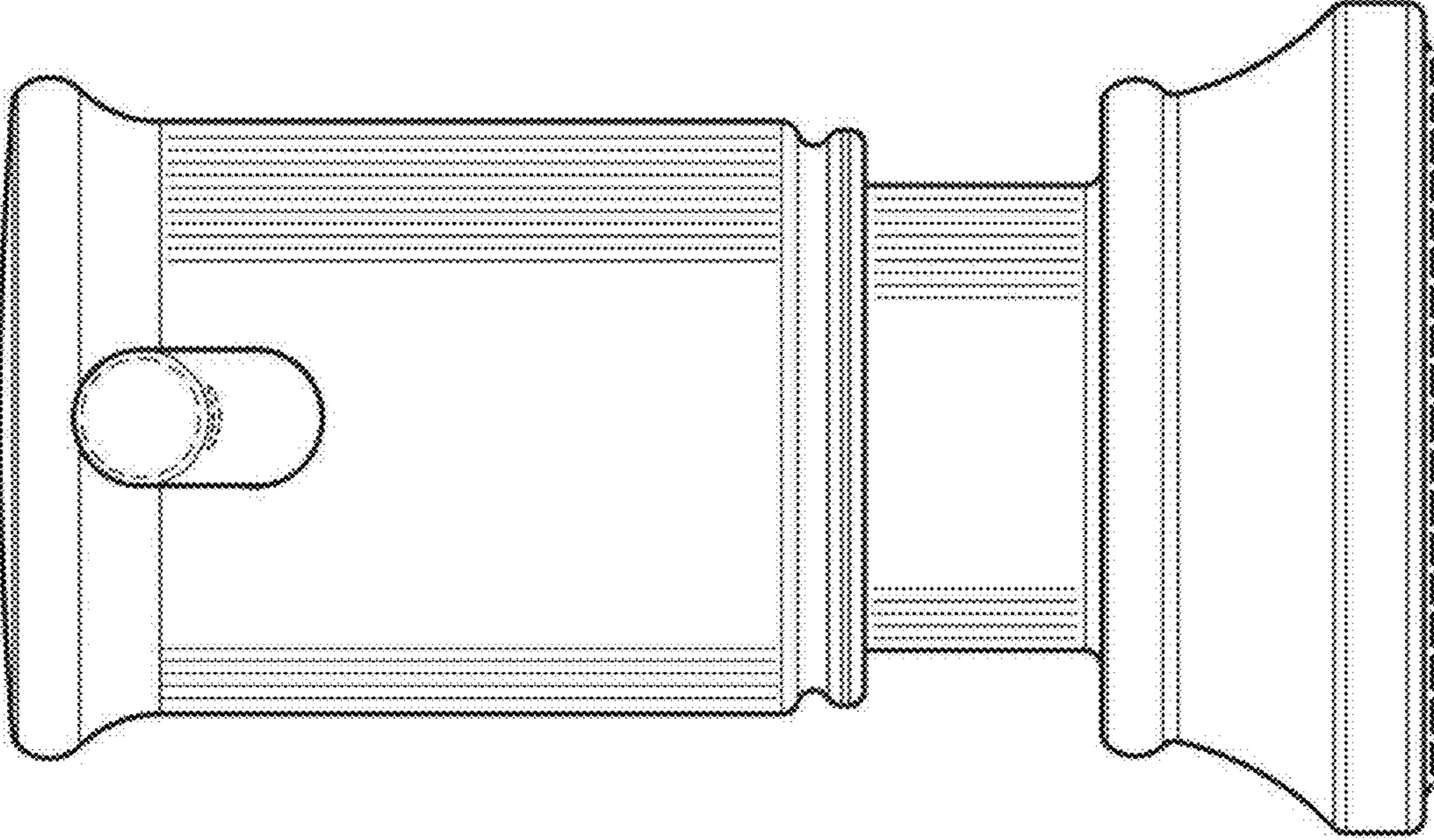


FIG. 6

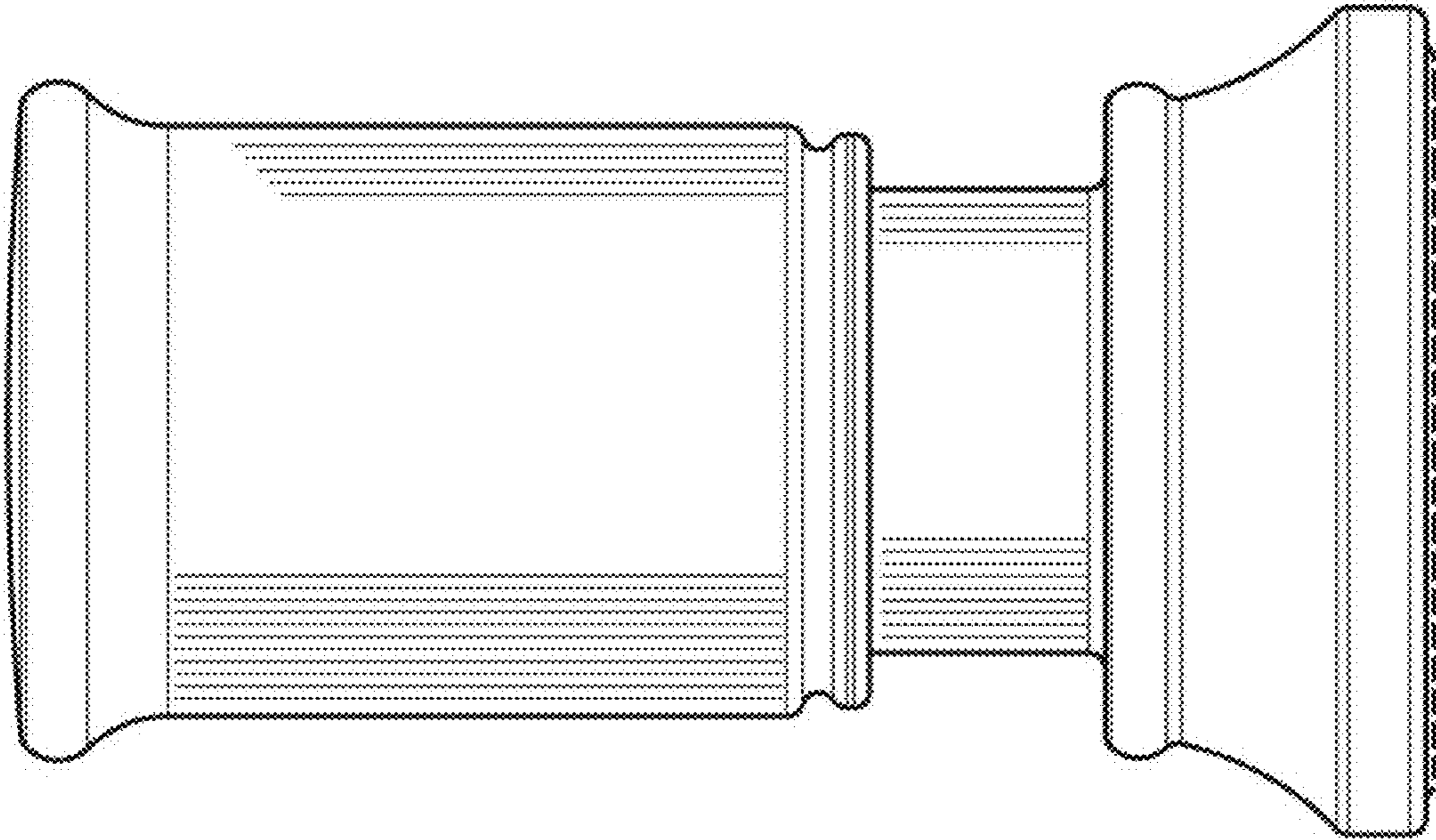


FIG. 7