

US00D831375S

(12) **United States Design Patent** (10) **Patent No.:** **US D831,375 S**
Ramm et al. (45) **Date of Patent:** **** Oct. 23, 2018**

(54) **SHAVING RAZOR STAND**
(71) Applicant: **The Gillette Company LLC**, Boston, MA (US)
(72) Inventors: **Christopher Ramm**, North Attleboro, MA (US); **Philipp Goeder**, Frankfurt (DE)
(73) Assignee: **The Gillette Company LLC**, Boston, MA (US)

D557,320 S * 12/2007 Fisher D16/219
D557,321 S * 12/2007 Fisher D16/219
D564,272 S * 3/2008 Quach D6/526
D572,063 S 7/2008 Provost et al.
D576,436 S * 9/2008 Provost D6/526
D577,998 S * 10/2008 Decottignies D9/448
D634,955 S 3/2011 Cavazos Jimenez et al.
D657,740 S * 4/2012 Prat-Pfister D13/108
D675,048 S 1/2013 Coresh
D677,090 S 3/2013 Floyd et al.
D677,503 S 3/2013 Floyd et al.
D695,544 S 12/2013 Floyd et al.

(Continued)

(**) Term: **15 Years**

(21) Appl. No.: **29/591,458**

(22) Filed: **Jan. 20, 2017**

(51) **LOC (11) Cl.** **28-03**

(52) **U.S. Cl.**
USPC **D6/526**

(58) **Field of Classification Search**
USPC D6/526, 527, 512, 524, 528, 534, 540;
D3/201, 205; D9/737, 748, 749, 448;
206/244, 352, 361, 362.1, 362.2, 362.3,
206/208, 209, 228, 252, 354-360, 493,
206/775; 30/42-46, 514; 211/13.1, 66,
211/70.6, 86.01, 87.01, 89.01; 248/127,
248/176.1, 200, 205.5, 309.1, 314;
D16/202, 219, 242; D13/108; D10/70;
D24/186
CPC . B26B 19/3806; B26B 19/3853; B26B 21/52;
B26B 21/10; B26B 21/4006; B26B
21/522; B26B 21/40; B26B 21/36; B26B
19/14; B26B 19/38; B26B 19/382; B26B
19/3813; B65D 73/0064; B65D 73/0014;
B65D 77/26; B65D 85/1081; B65D
5/5016; B65D 71/70; B65D 25/106;
B65D 25/22; F21S 41/285; F21S 41/25;
F21V 5/04

See application file for complete search history.

(56) **References Cited**

U.S. PATENT DOCUMENTS

D529,533 S * 10/2006 Oh D16/242
D544,264 S 6/2007 Gallagher

OTHER PUBLICATIONS

U.S. Appl. No. 29/594,308, filed Feb. 17, 2017, Brian Patrick Watson.

Primary Examiner — Wan Laymon

Assistant Examiner — Mark Booker

(74) *Attorney, Agent, or Firm* — John M. Lipchitz

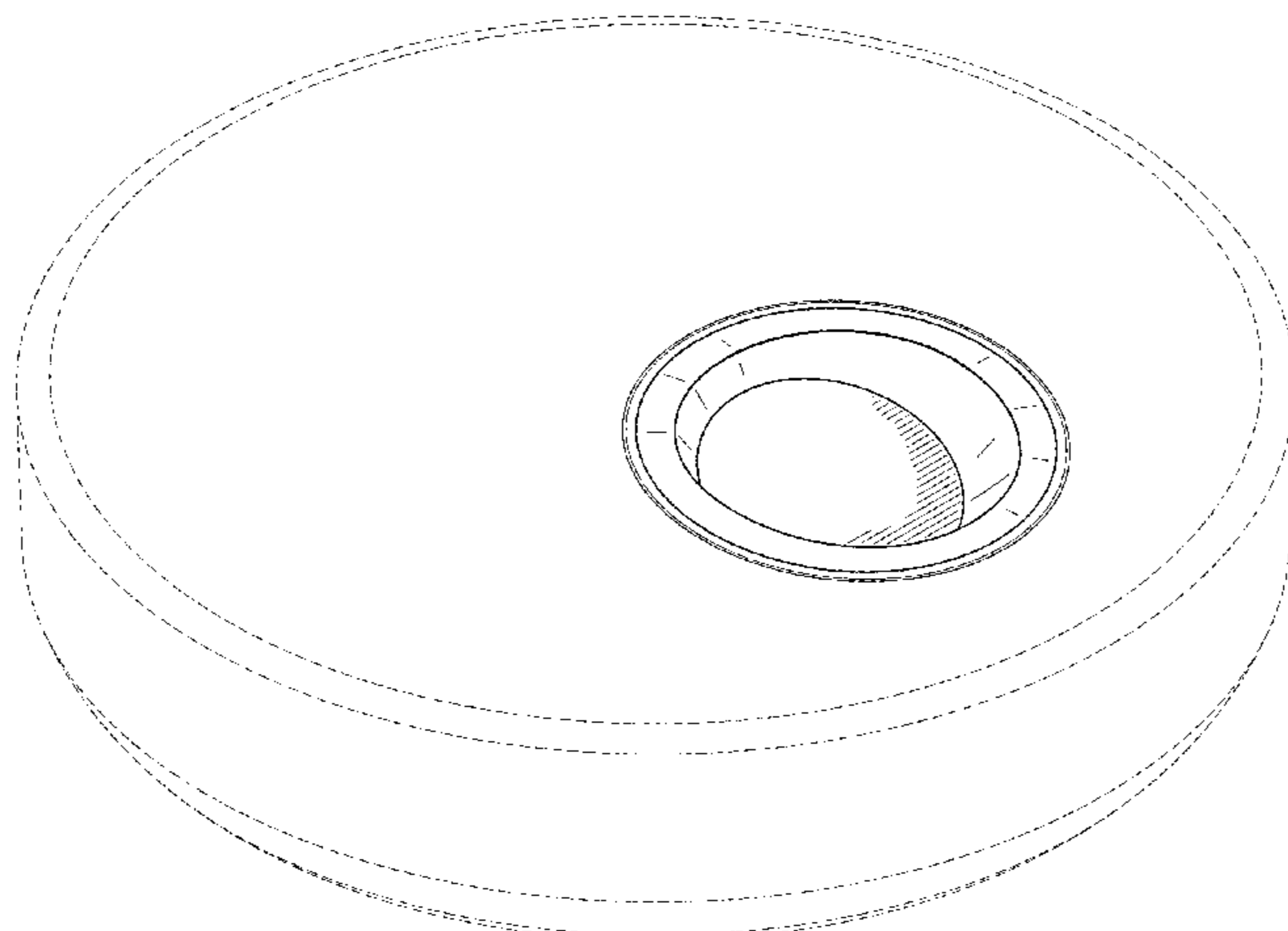
(57) **CLAIM**

The ornamental design for a shaving razor stand, as shown and described.

DESCRIPTION

FIG. 1 is a perspective view of a portion of a shaving razor stand showing our new design;
FIG. 2 is a front view thereof;
FIG. 3 is a rear view thereof;
FIG. 4 is a right view thereof;
FIG. 5 is a left view thereof;
FIG. 6 is a top view thereof; and,
FIG. 7 is a bottom view thereof.
The broken lines shown in the figures represent portions of the shaving razor stand that form no part of the claimed design.

1 Claim, 5 Drawing Sheets



(56)

References Cited

U.S. PATENT DOCUMENTS

D695,545 S	12/2013	Floyd et al.	
D699,473 S	2/2014	Szczepanowski et al.	
D745,916 S *	12/2015	Oh	D16/134
D776,180 S *	1/2017	Fiedler	D16/202
D783,838 S *	4/2017	Zhao	D24/186
D790,372 S *	6/2017	Daoura	D10/104.1

* cited by examiner

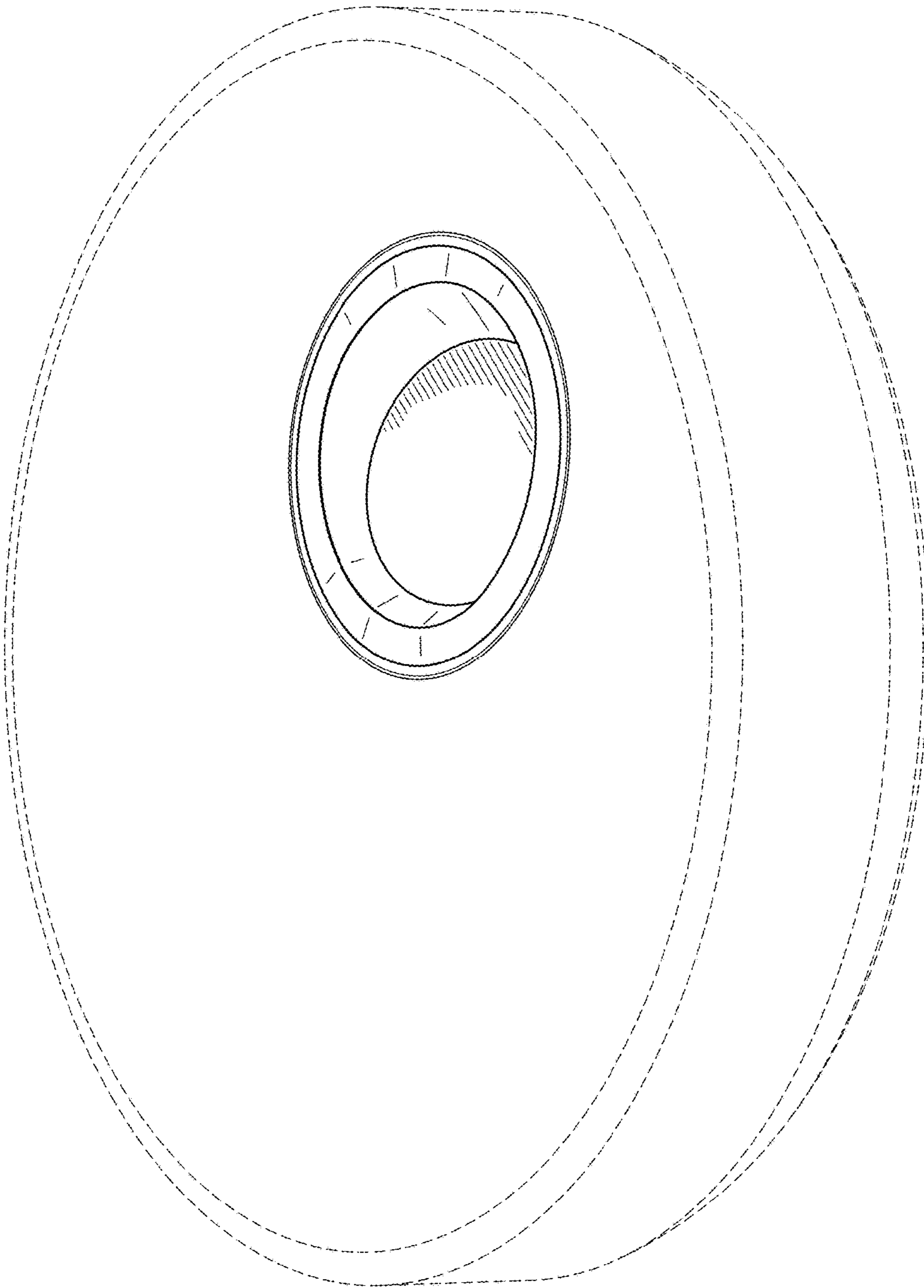


FIG. 1

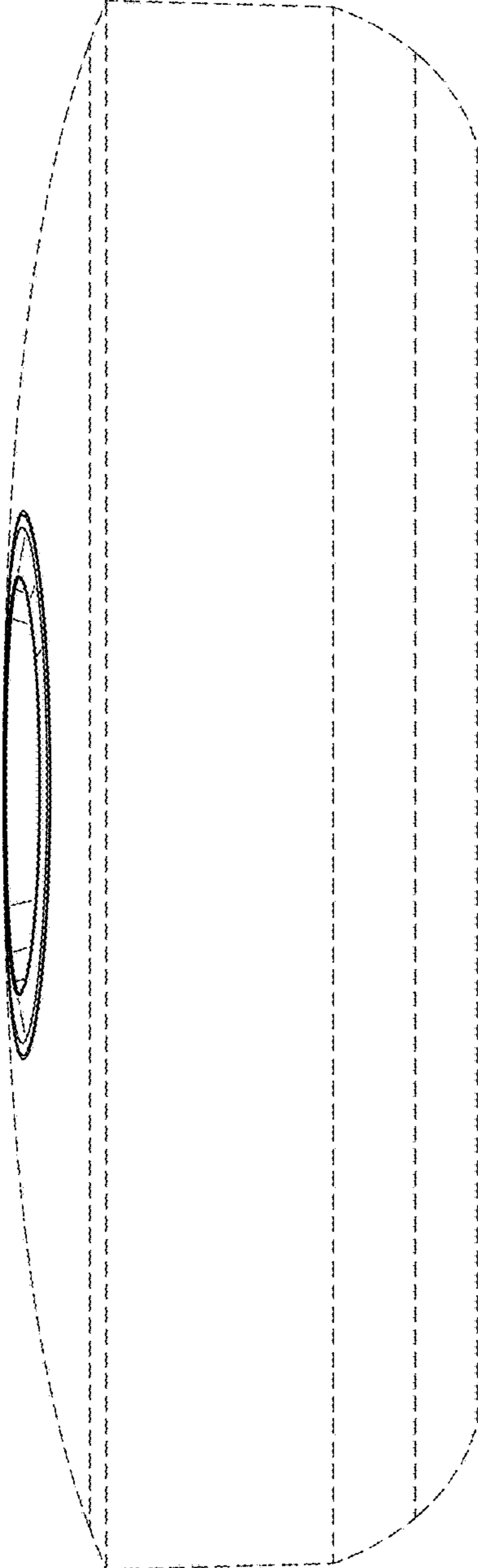


FIG. 2

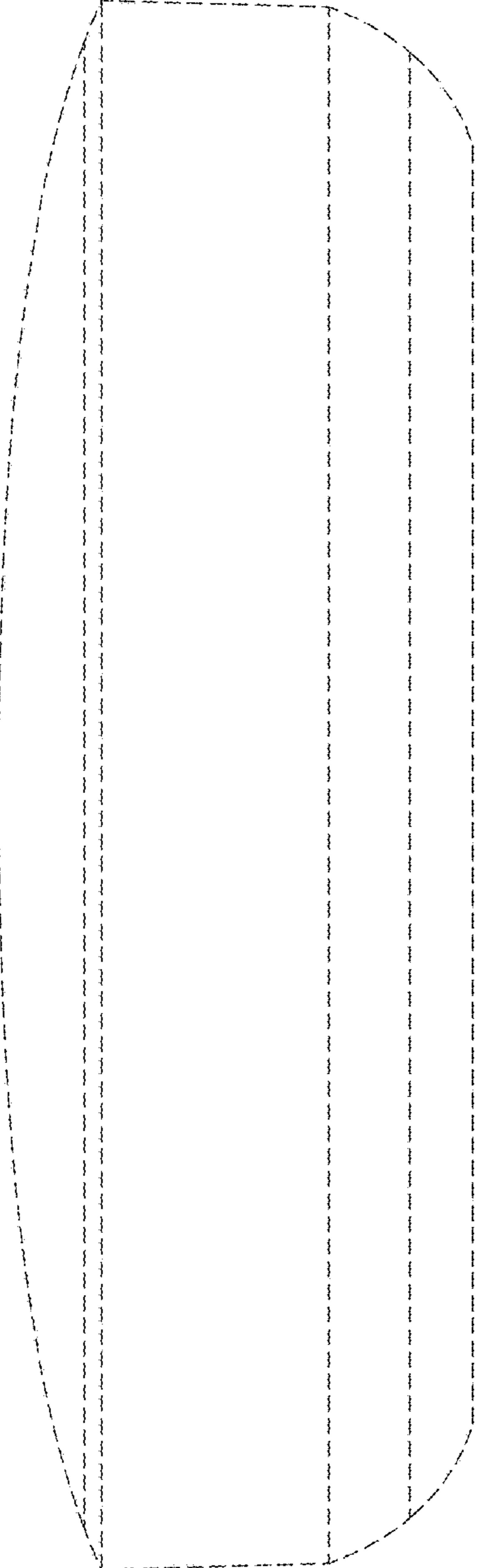


FIG. 3

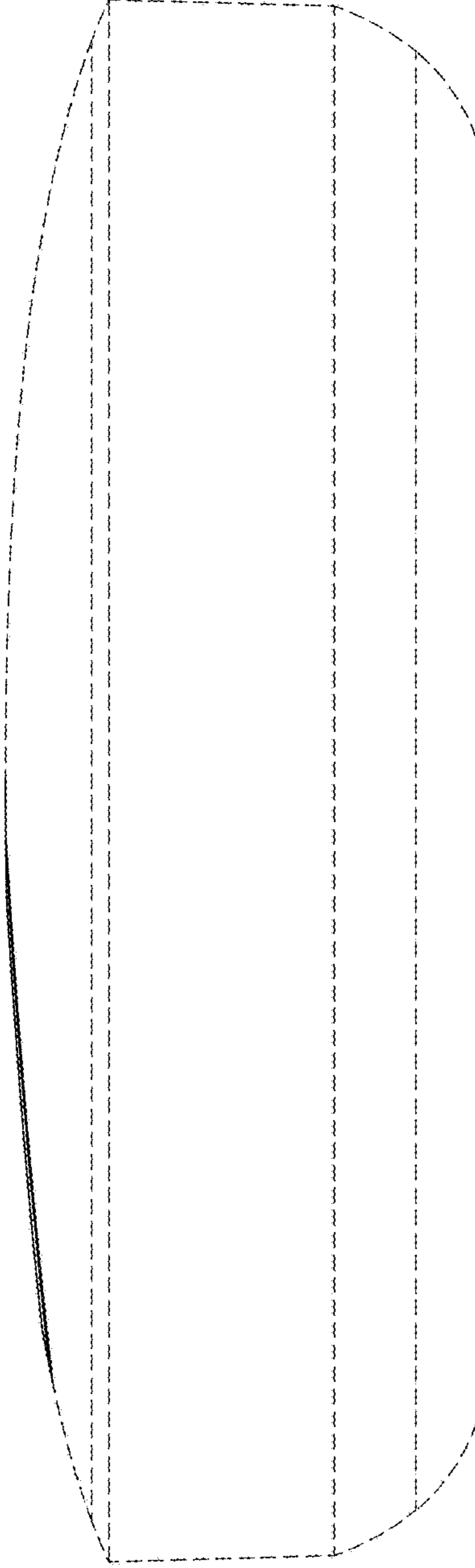


FIG. 4

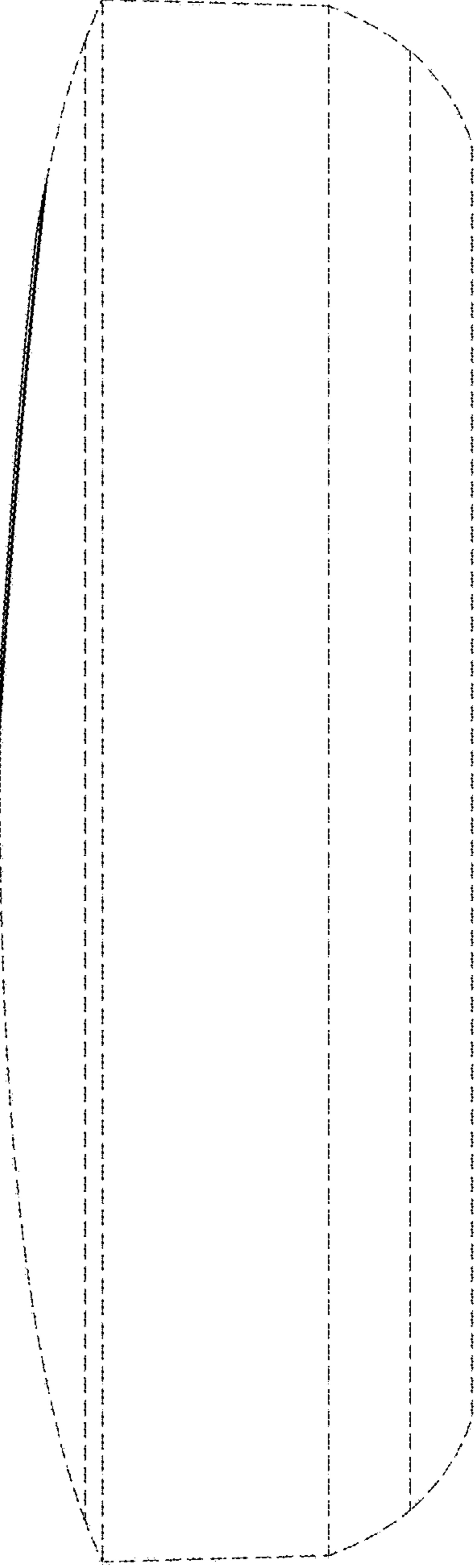


FIG. 5

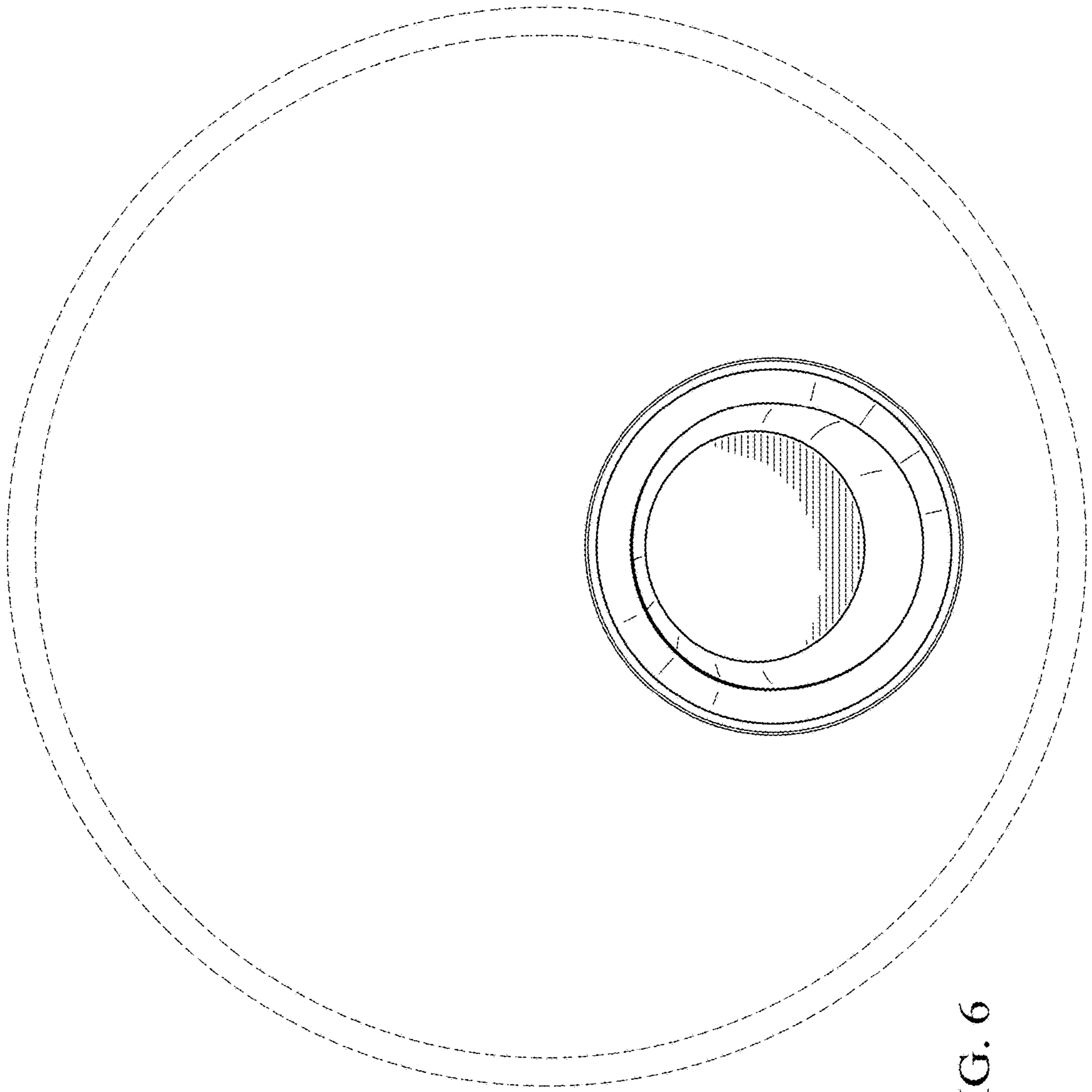


FIG. 6

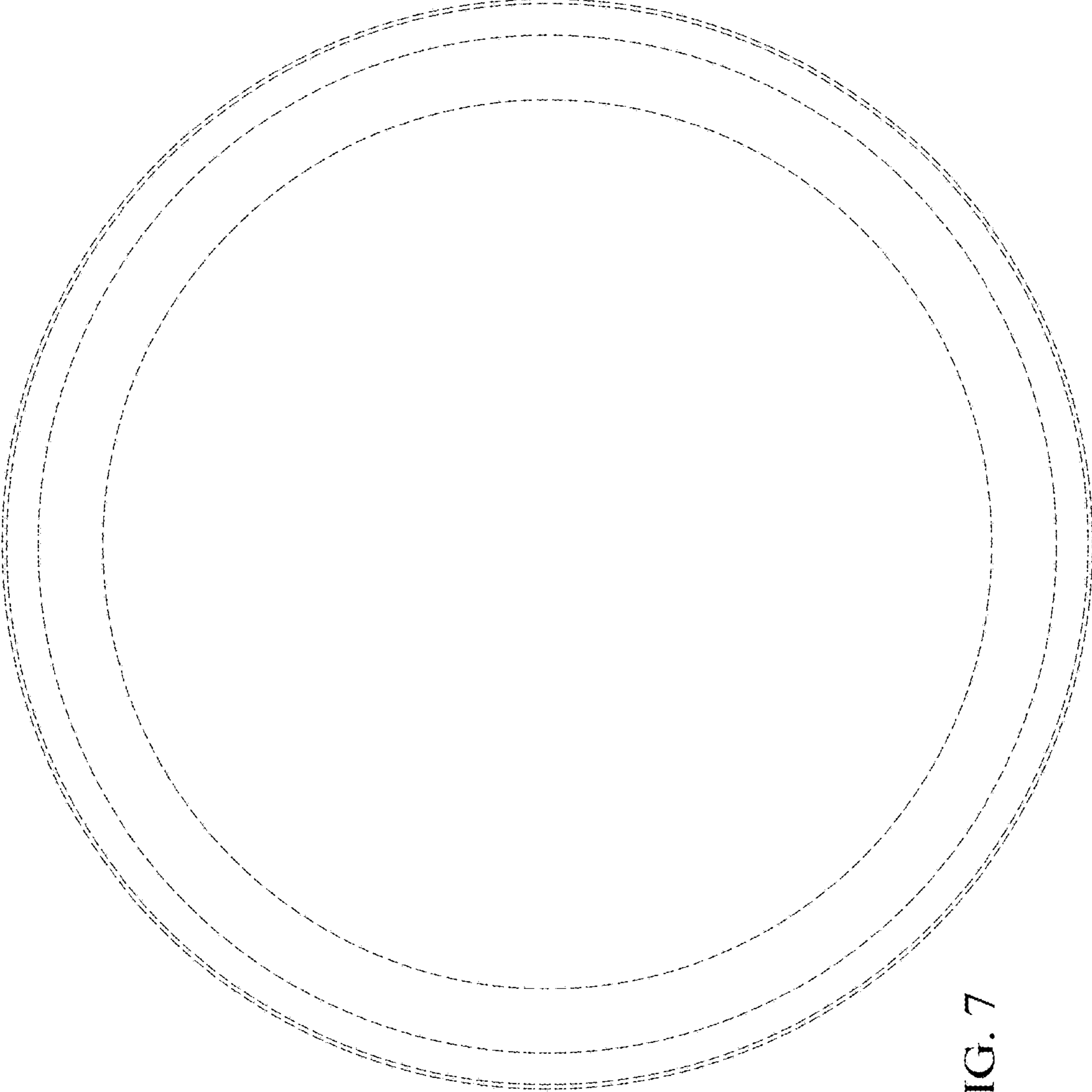


FIG. 7