



US00D831374S

(12) **United States Design Patent**
Vera

(10) **Patent No.:** **US D831,374 S**
(45) **Date of Patent:** **** Oct. 23, 2018**

- (54) **PAPER TOWEL HOLDER**
- (71) Applicant: **Daniel Vera**, Corpus Christi, TX (US)
- (72) Inventor: **Daniel Vera**, Corpus Christi, TX (US)
- (**) Term: **15 Years**
- (21) Appl. No.: **29/618,067**
- (22) Filed: **Oct. 19, 2017**

Related U.S. Application Data

- (63) Continuation-in-part of application No. 29/549,294, filed on Dec. 21, 2015.
- (51) **LOC (11) Cl.** **23-02**
- (52) **U.S. Cl.**
USPC **D6/522**
- (58) **Field of Classification Search**
USPC D6/518-523, 515; 206/389, 391, 407, 206/409; 211/16, 85.5, 59.2; 221/92, 97, 221/185, 282, 284; 242/159, 160.2, 550, 242/560, 590, 595, 588, 598, 598.3, 242/598.6; D3/201; 312/34.1, 34.8
CPC A47K 10/3836; A47K 10/38; A47K 10/40
See application file for complete search history.

(56) **References Cited**

U.S. PATENT DOCUMENTS

- D125,116 S * 2/1941 Sanford D6/523
- D161,199 S * 12/1950 Perelman D6/522

- D174,945 S * 6/1955 Casey D6/523
- D307,844 S * 5/1990 Romeka D6/523
- D486,680 S * 2/2004 AlJizawi D6/522
- D506,632 S * 6/2005 Holsclaw D6/520
- D551,478 S * 9/2007 Dretzka D6/522
- D609,040 S * 2/2010 Koury D6/524
- D632,511 S * 2/2011 Sallack D6/519
- D633,317 S * 3/2011 Walters D6/522
- D697,333 S * 1/2014 Ogle D6/521
- D739,158 S * 9/2015 Pan D6/518

* cited by examiner

Primary Examiner — David Muller
Assistant Examiner — Nathan Johnston

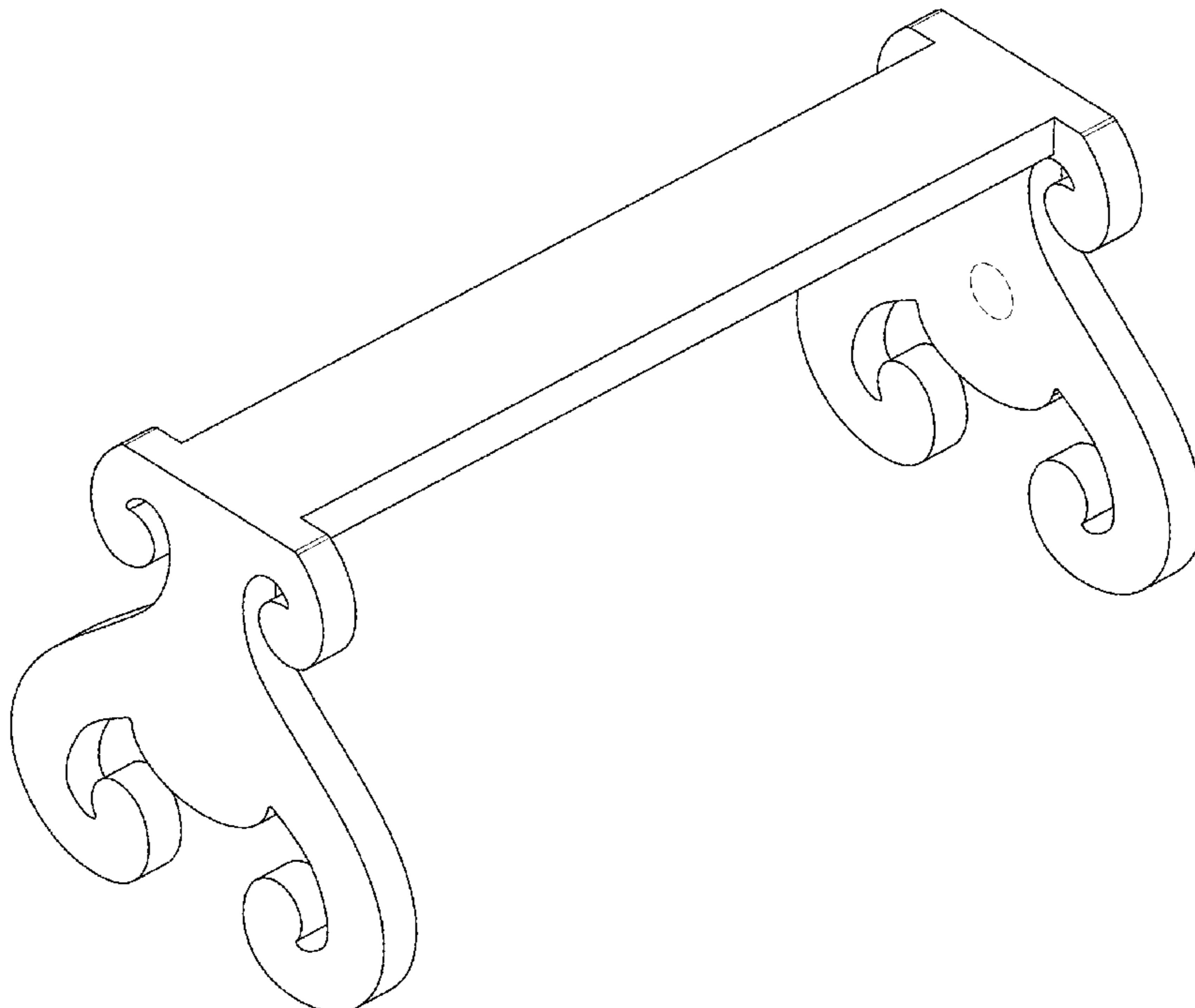
(57) **CLAIM**

The ornamental design for a paper towel holder, as shown and described.

DESCRIPTION

FIG. 1 Is an isometric view of a paper towel holder showing my design;
FIG. 2 Is an end elevation view thereof; and,
FIG. 3 Is a side elevation view thereof.
The broken lines show portions of the design form no part of the claimed design.

1 Claim, 3 Drawing Sheets



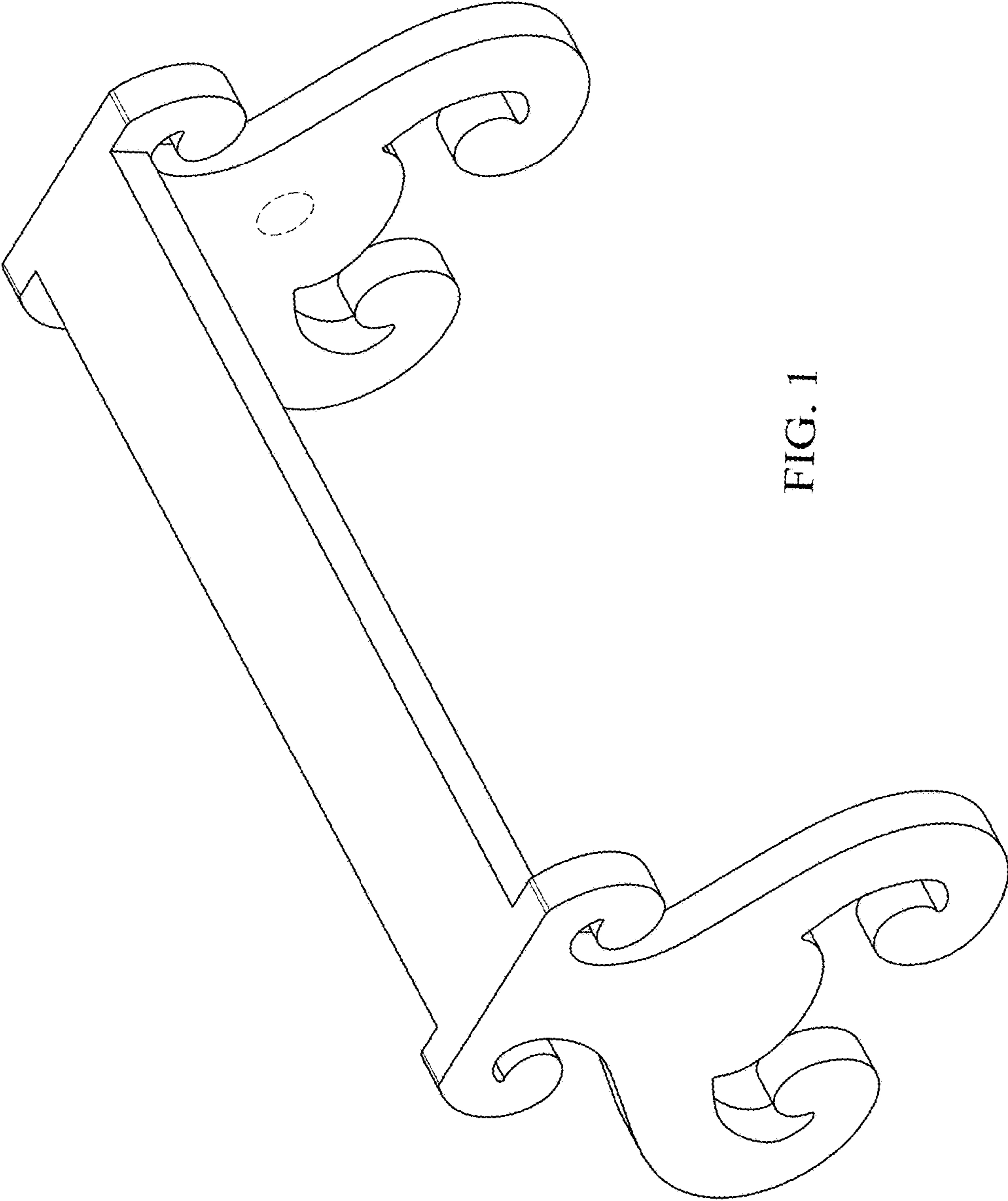


FIG. 1

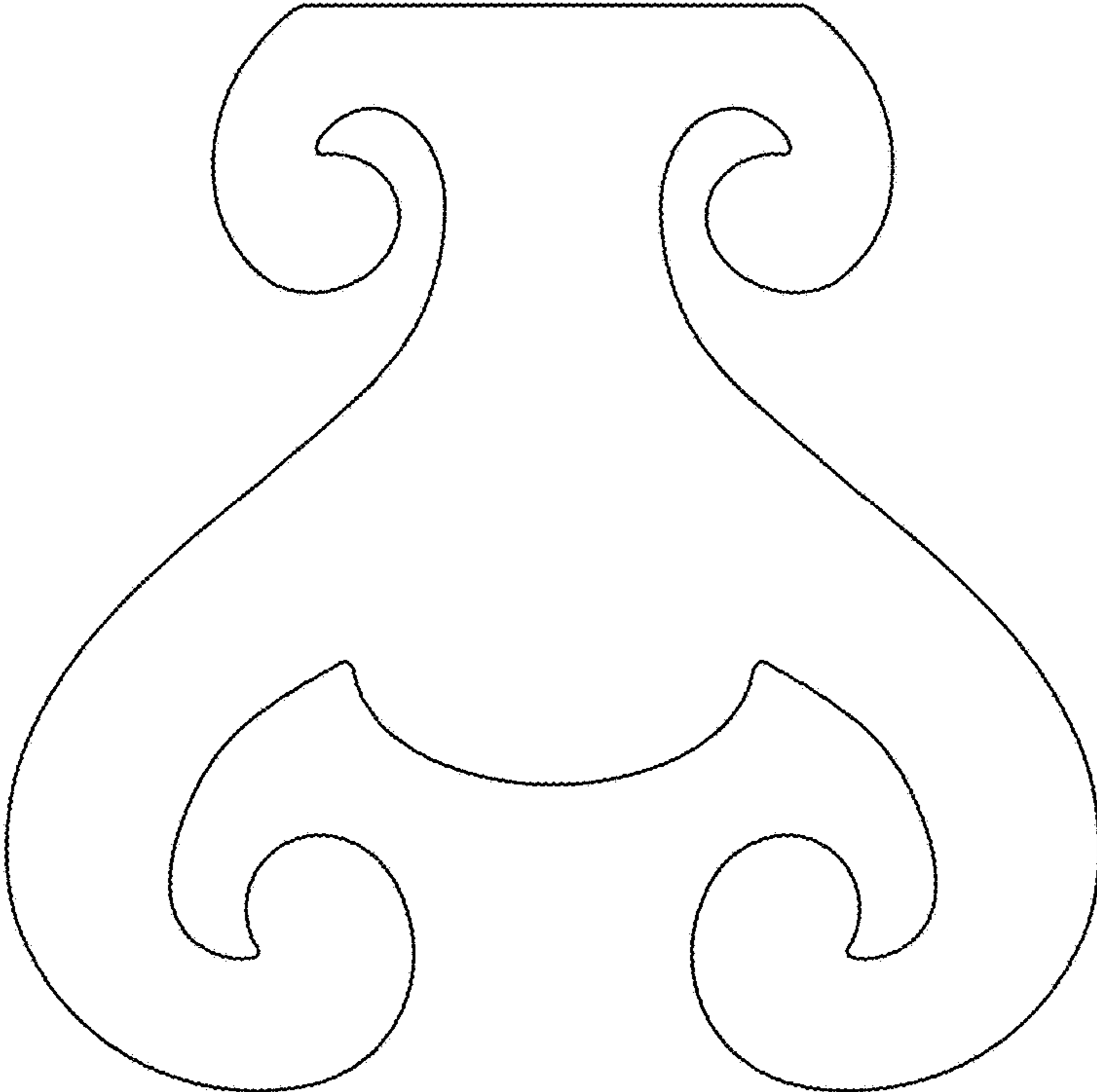


FIG. 2



Fig. 3