



US00D831373S

(12) **United States Design Patent**
Wilson et al.

(10) **Patent No.:** **US D831,373 S**

(45) **Date of Patent:** **** Oct. 23, 2018**

(54) **RAISED PLATFORM**

(71) Applicants: **Daniel Jay Wilson**, Lake Forest, CA (US); **Chantip Wilson**, Lake Forest, CA (US); **Jeremy Wilkens**, Newport Beach, CA (US); **Francisco Hernandez**, Long Beach, CA (US)

(72) Inventors: **Daniel Jay Wilson**, Lake Forest, CA (US); **Chantip Wilson**, Lake Forest, CA (US); **Jeremy Wilkens**, Newport Beach, CA (US); **Francisco Hernandez**, Long Beach, CA (US)

(**) Term: **15 Years**

(21) Appl. No.: **29/604,515**

(22) Filed: **May 18, 2017**

(51) **LOC (11) Cl.** **06-06**

(52) **U.S. Cl.**
USPC **D6/406.3**

(58) **Field of Classification Search**
USPC D6/406.1, 406.3, 406.5, 406.6; D7/550.1, D7/552.2, 553.2, 554.3, 601
CPC A47G 23/0608; A47G 23/06; A47B 17/00; A47B 19/00; A47B 23/00; A47B 23/001; A47B 23/002
See application file for complete search history.

(56) **References Cited**

U.S. PATENT DOCUMENTS

D233,293 S * 10/1974 Rosen D6/691.3
D336,671 S * 6/1993 Novakoski D21/686
5,598,786 A * 2/1997 Patterson A47B 23/001
108/43
D383,918 S * 9/1997 Prince D6/406.3
6,116,165 A * 9/2000 Kadesky A47B 23/002
108/161

D438,402 S * 3/2001 Walsh D19/75
D505,282 S * 5/2005 Miyakawa D6/691.8
7,059,253 B2 * 6/2006 Cho A47B 83/045
108/43
D642,821 S * 8/2011 Fowler D6/391
D701,215 S * 3/2014 King D14/447
D722,065 S * 2/2015 Zwerner D14/447
D727,036 S * 4/2015 Tsuchiyama D6/332
D754,988 S * 5/2016 Fountain, Jr. D6/406.3
D774,339 S * 12/2016 Parshad D6/714
D789,703 S * 6/2017 Qiao A47C 7/68
D6/406.3
D791,140 S * 7/2017 Nuk D14/447
D797,109 S * 9/2017 Pisapia D14/447
D816,379 S * 5/2018 Wu D6/686
D819,369 S * 6/2018 Kang D6/642

* cited by examiner

Primary Examiner — Kelley Donnelly

(74) *Attorney, Agent, or Firm* — Dunlap Bennett & Ludwig PLLC

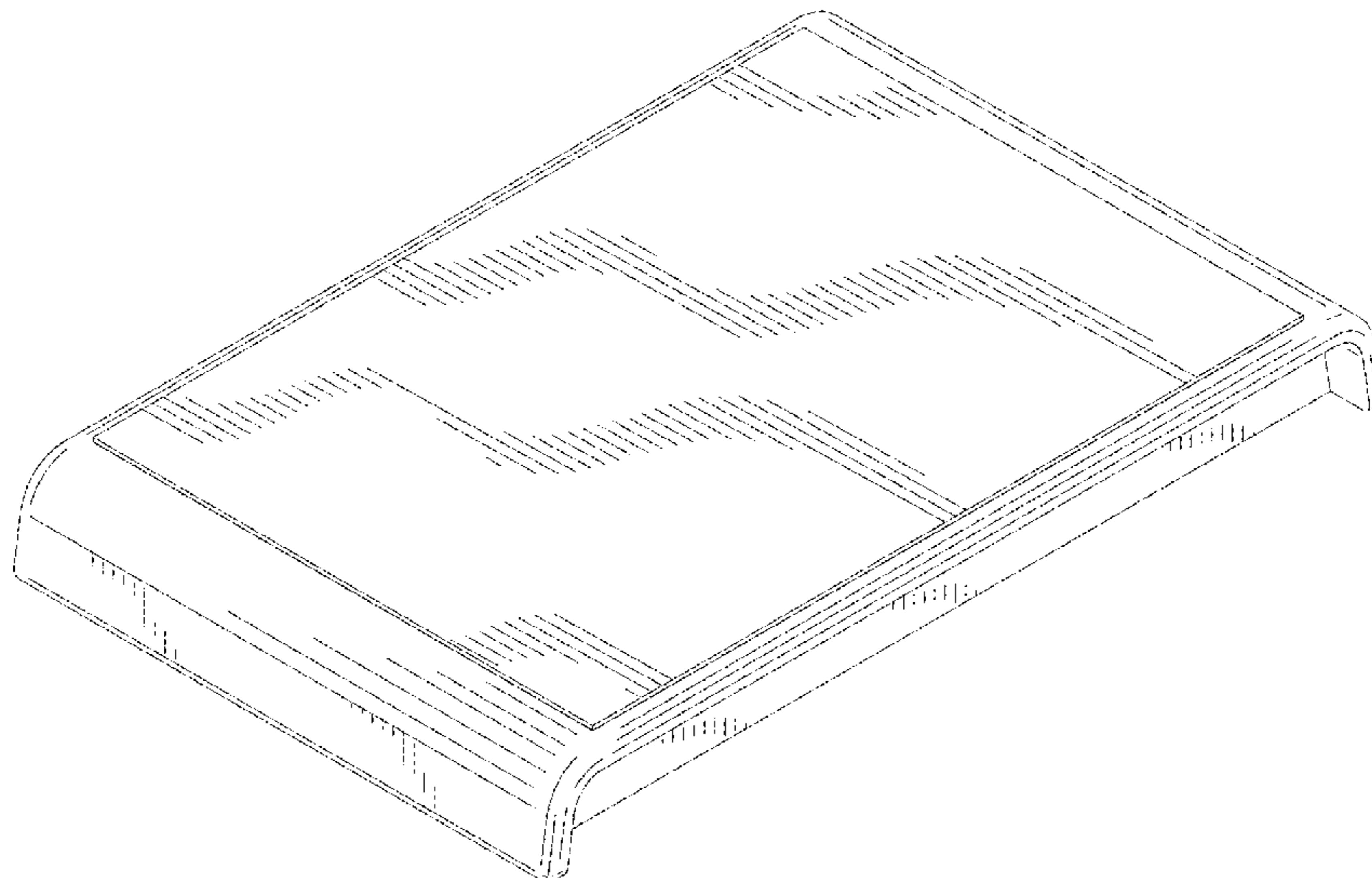
(57) **CLAIM**

The ornamental design for a raised platform, as shown and described.

DESCRIPTION

FIG. 1 is a perspective view of a raised platform, showing my new design;
FIG. 2 is a front elevation view thereof, the rear elevation view being a mirror image thereof;
FIG. 3 is a top plan view thereof;
FIG. 4 is a right side elevation view thereof, the left side elevation view being a mirror image thereof; and,
FIG. 5 is a bottom plan view thereof.
The broken lines shown in the drawings depict portions of the raised platform that form no part of the claimed design.

1 Claim, 3 Drawing Sheets



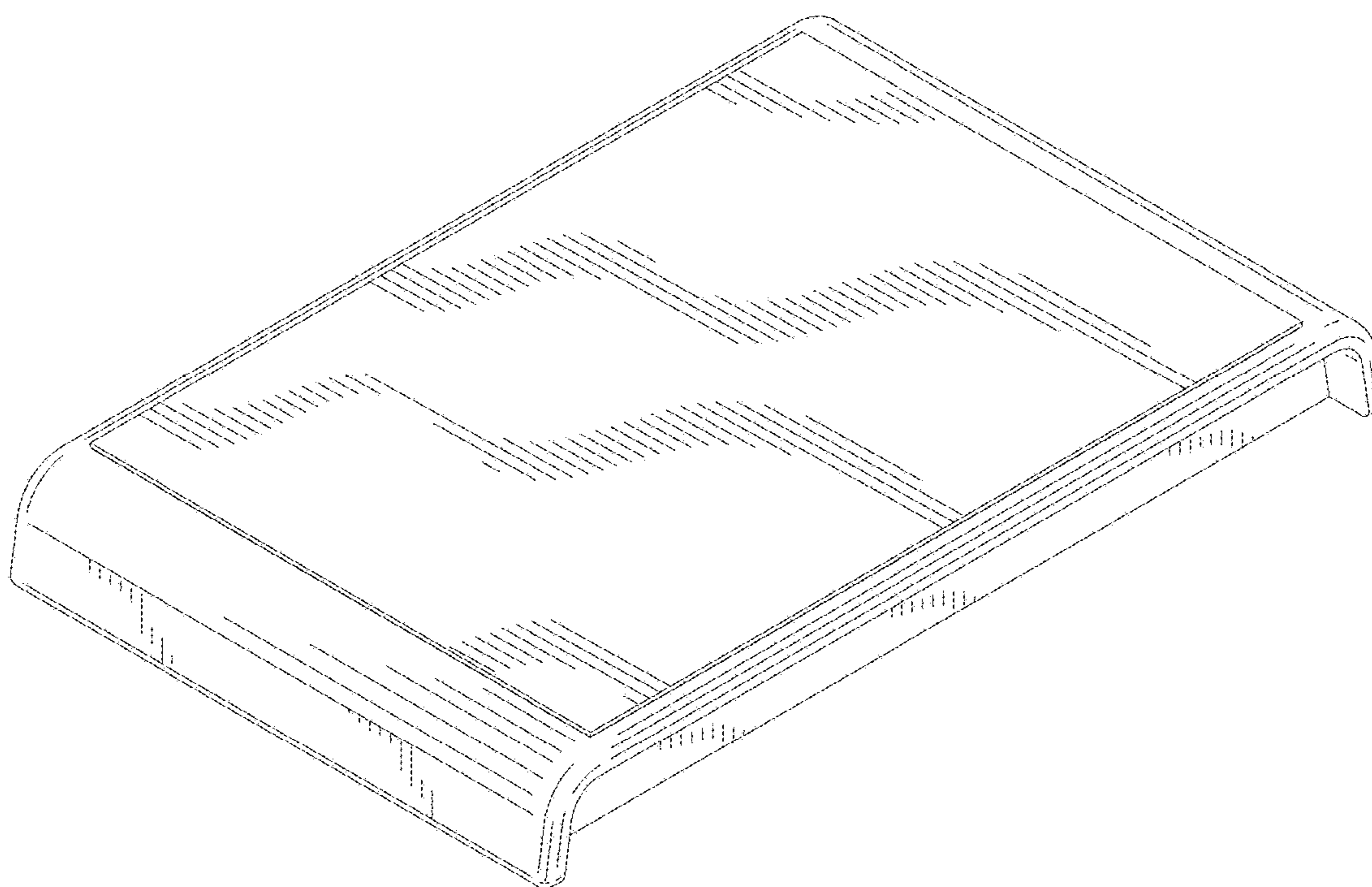


FIG. 1

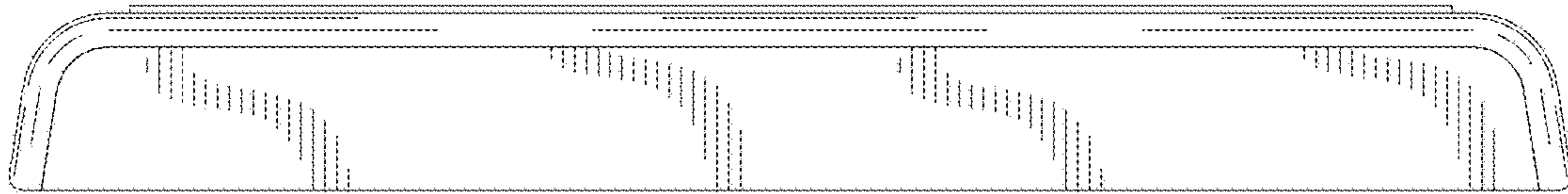


FIG. 2

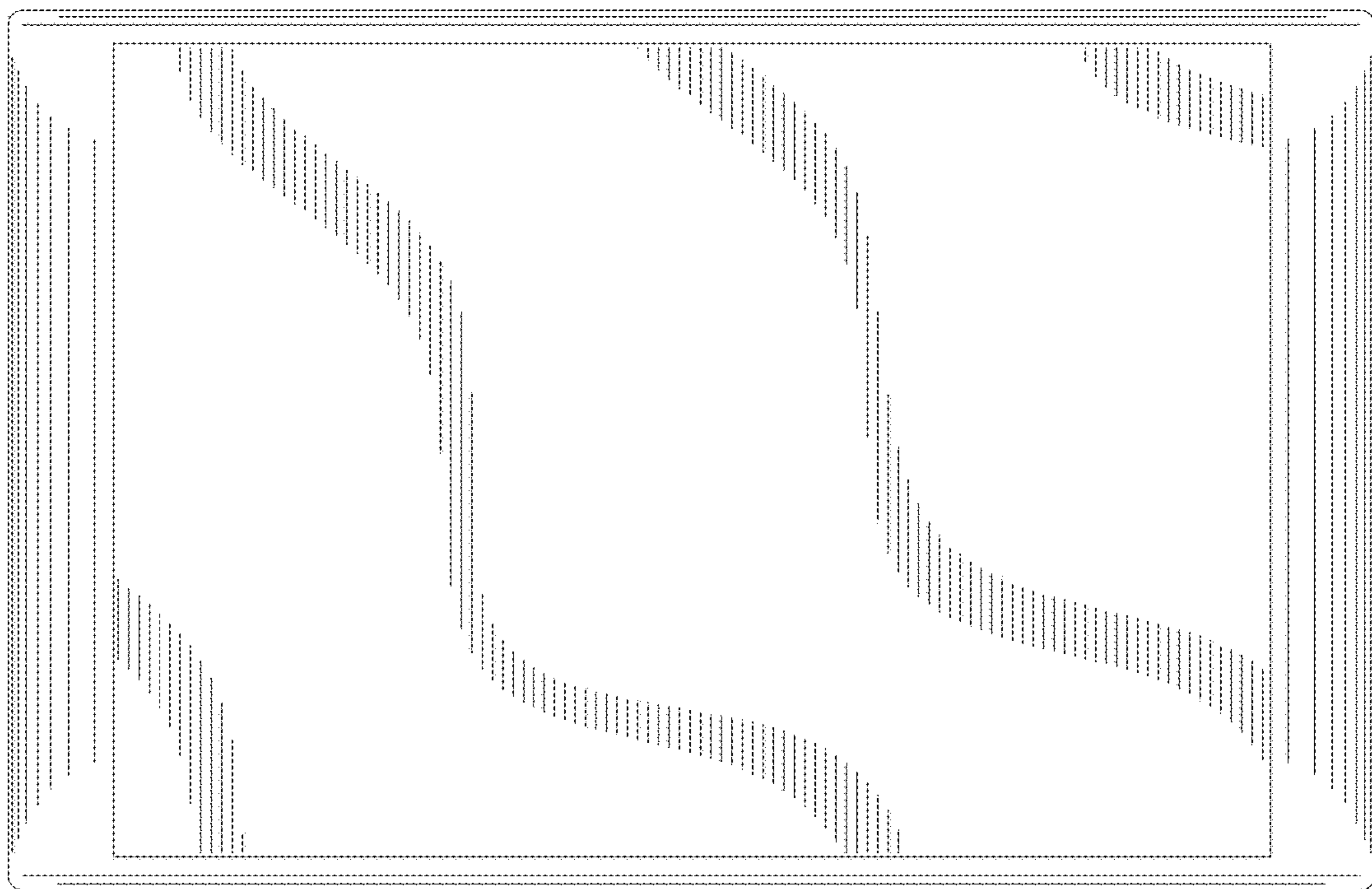


FIG. 3

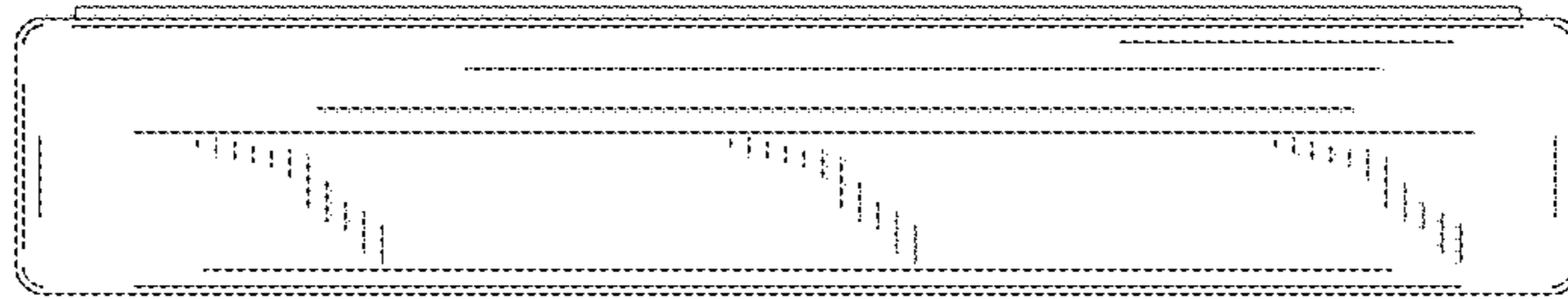


FIG. 4

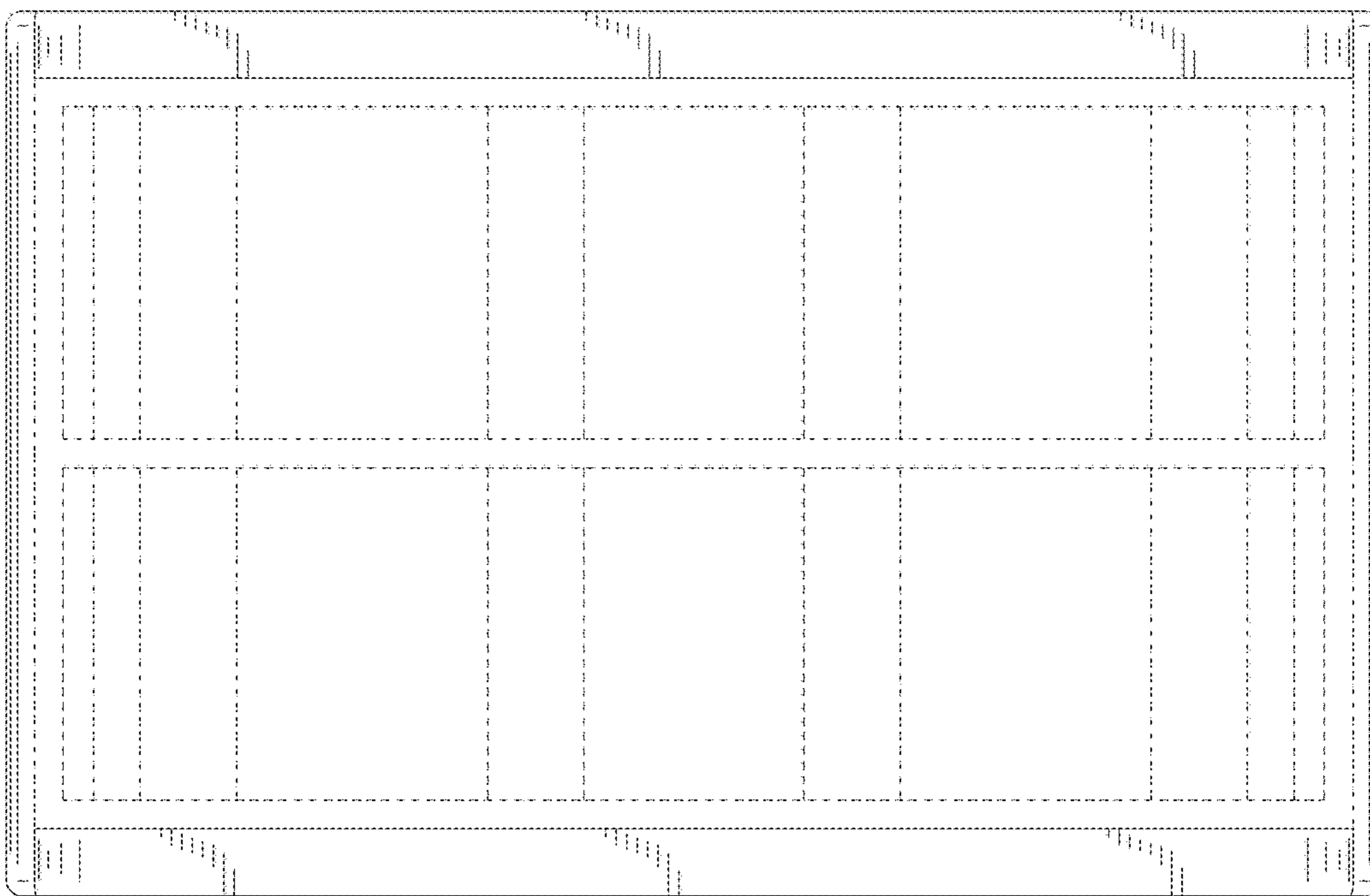


FIG. 5