



US00D831369S

(12) **United States Design Patent**
Zhu et al.

(10) **Patent No.:** **US D831,369 S**

(45) **Date of Patent:** **** Oct. 23, 2018**

(54) **INFLATABLE SOFA**

(71) Applicants: **Jing Zhu**, Guangdong (CN); **Weijun Tang**, Guangdong (CN); **Penghe Zhang**, Guangdong (CN)

(72) Inventors: **Jing Zhu**, Guangdong (CN); **Weijun Tang**, Guangdong (CN); **Penghe Zhang**, Guangdong (CN)

(73) Assignee: **Shenzhen Xinaosheng Technology Co., Ltd.**, Longgang Dist., Shenzhen, Guangdong (CN)

(**) Term: **15 Years**

(21) Appl. No.: **29/614,758**

(22) Filed: **Aug. 22, 2017**

(51) **LOC (11) Cl.** **06-01**

(52) **U.S. Cl.**
USPC **D6/377; D6/361**

(58) **Field of Classification Search**
USPC D6/334-336, 361, 371, 372, 373, 375, D6/377, 381, 716, 716.1, 716.4; D21/803
CPC A47C 27/086; A47C 3/14; A47C 3/16; A47C 4/54; A47C 7/18; A47C 7/24
See application file for complete search history.

(56) **References Cited**

U.S. PATENT DOCUMENTS

4,011,611 A * 3/1977 Lederman A47C 3/16
273/DIG. 2

D764,823 S *	8/2016	Oomen	D6/377
D775,479 S *	1/2017	Oomen	D6/361
D785,960 S *	5/2017	Davis	D6/361
D804,208 S *	12/2017	Lam	D6/361
D808,186 S *	1/2018	Oomen	D6/361
D809,311 S *	2/2018	Cai	D6/361
D809,312 S *	2/2018	Cai	D6/361
D819,994 S *	6/2018	Yang	D6/361

* cited by examiner

Primary Examiner — Mimoso De

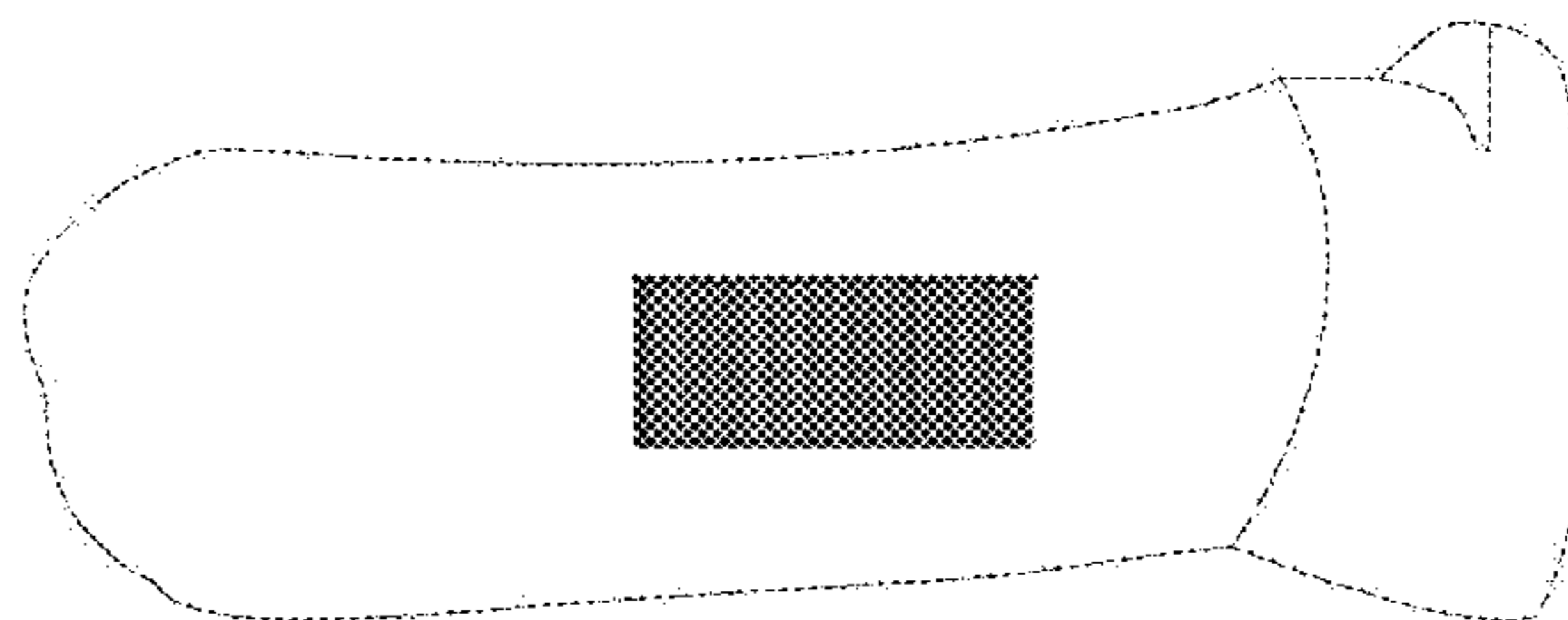
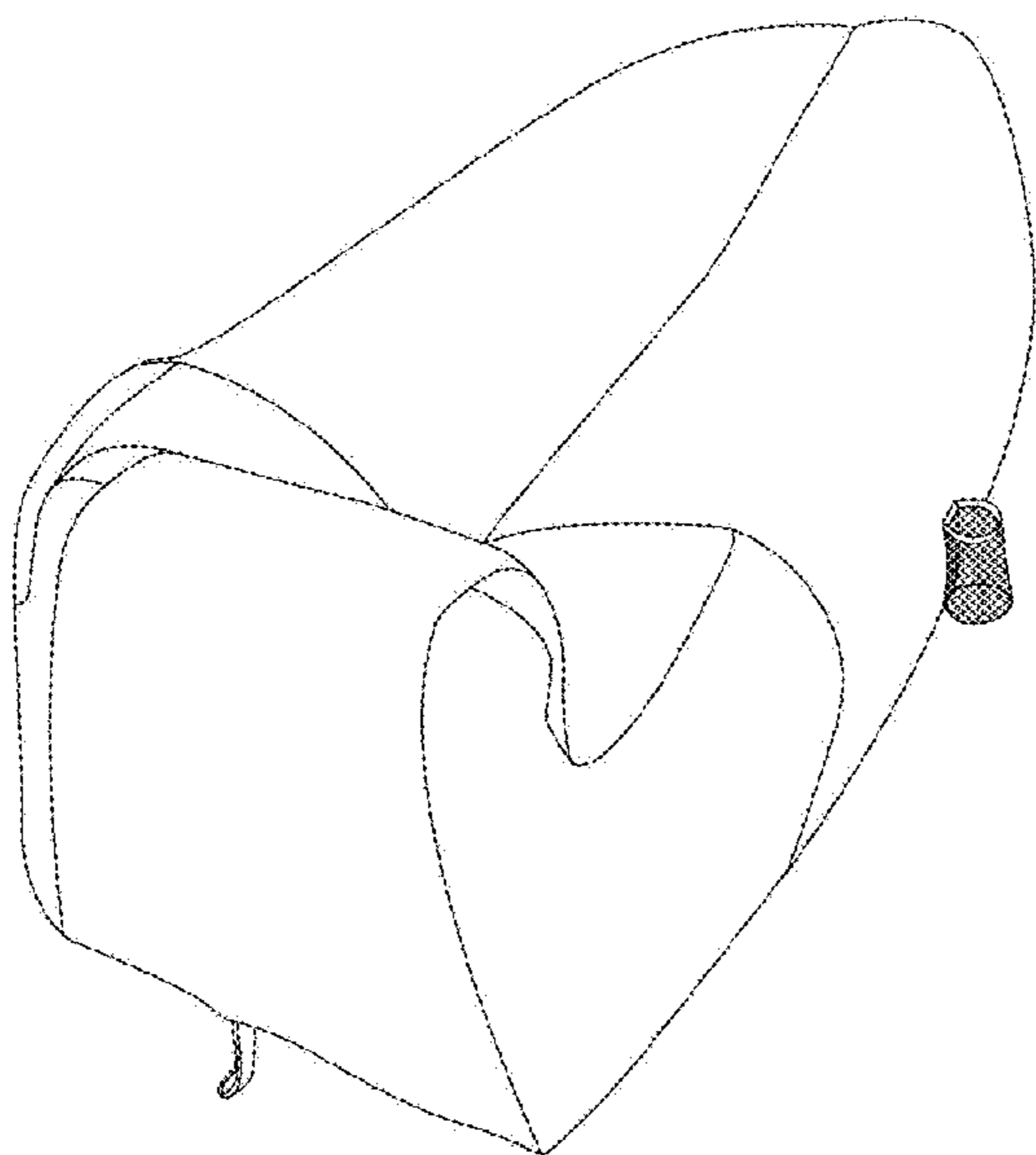
(57) **CLAIM**

The ornamental design for inflatable sofa, as shown and described.

DESCRIPTION

FIG. 1 is a perspective view of inflatable sofa showing my new design;
FIG. 2 is a front elevational view thereof;
FIG. 3 is a rear elevational view thereof;
FIG. 4 is a left side elevational view thereof;
FIG. 5 is a right side elevational view thereof;
FIG. 6 is a top plan view thereof; and,
FIG. 7 is a bottom plan view thereof.

1 Claim, 7 Drawing Sheets



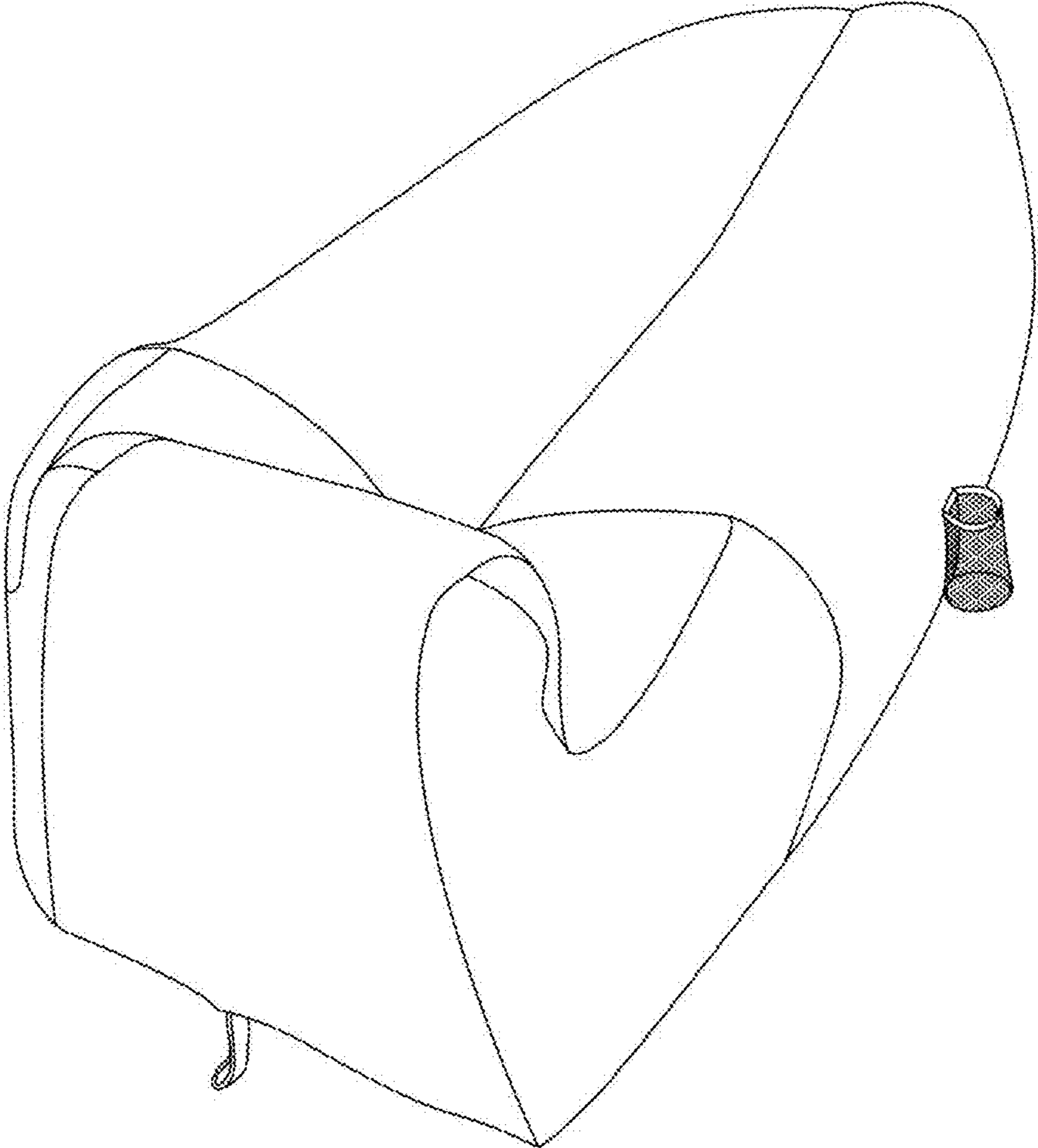


FIG.1

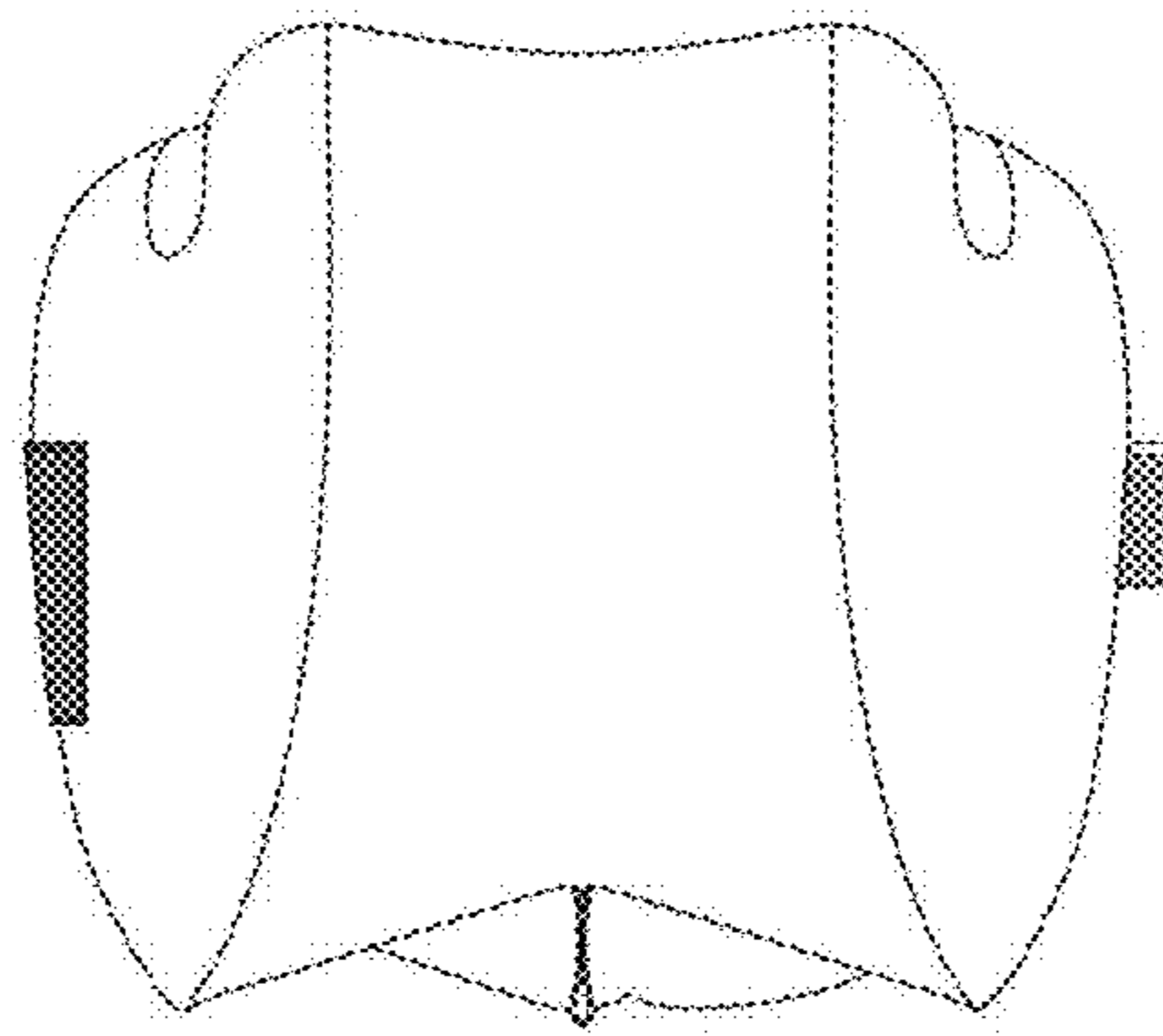


FIG. 2

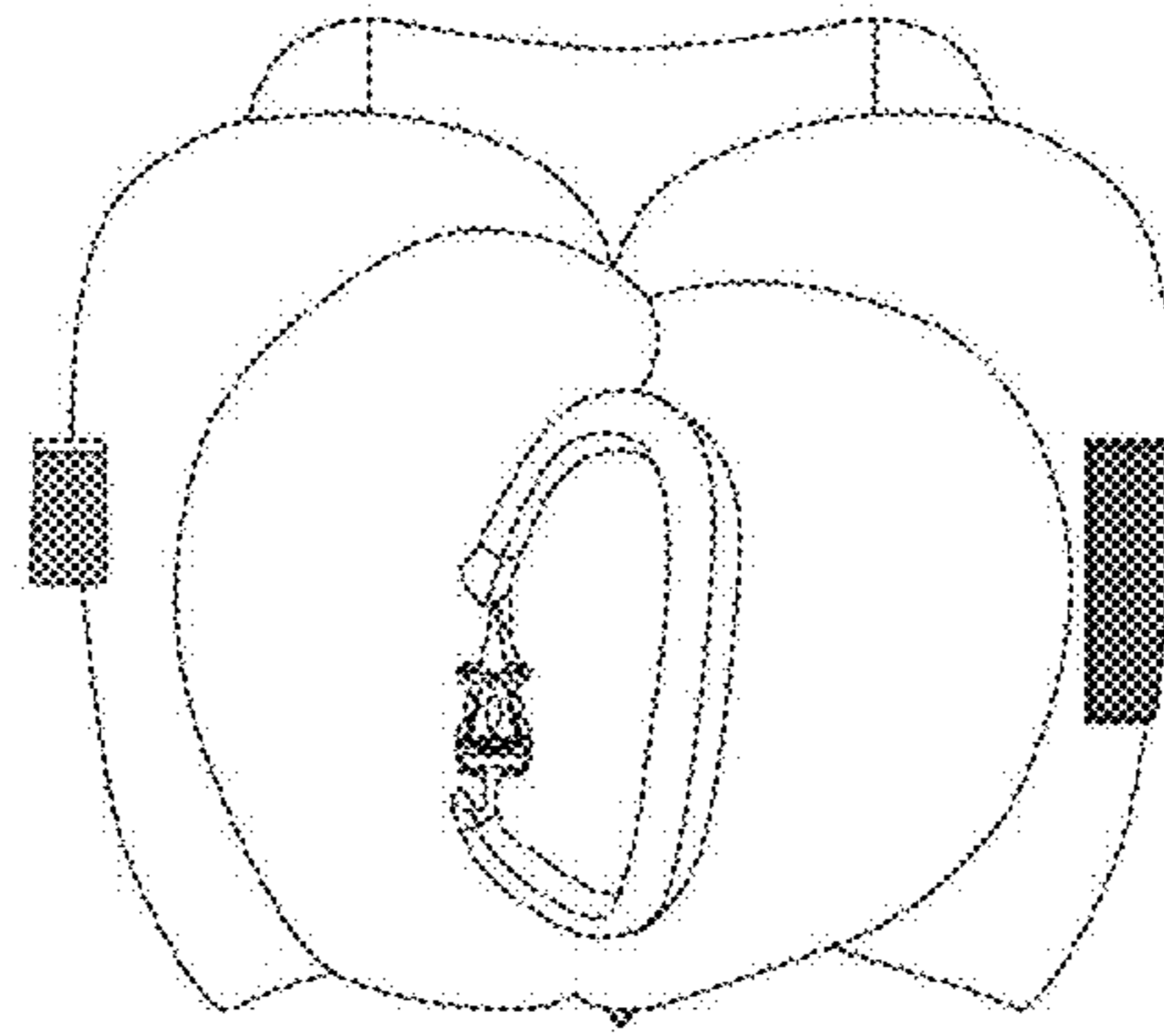


FIG.3

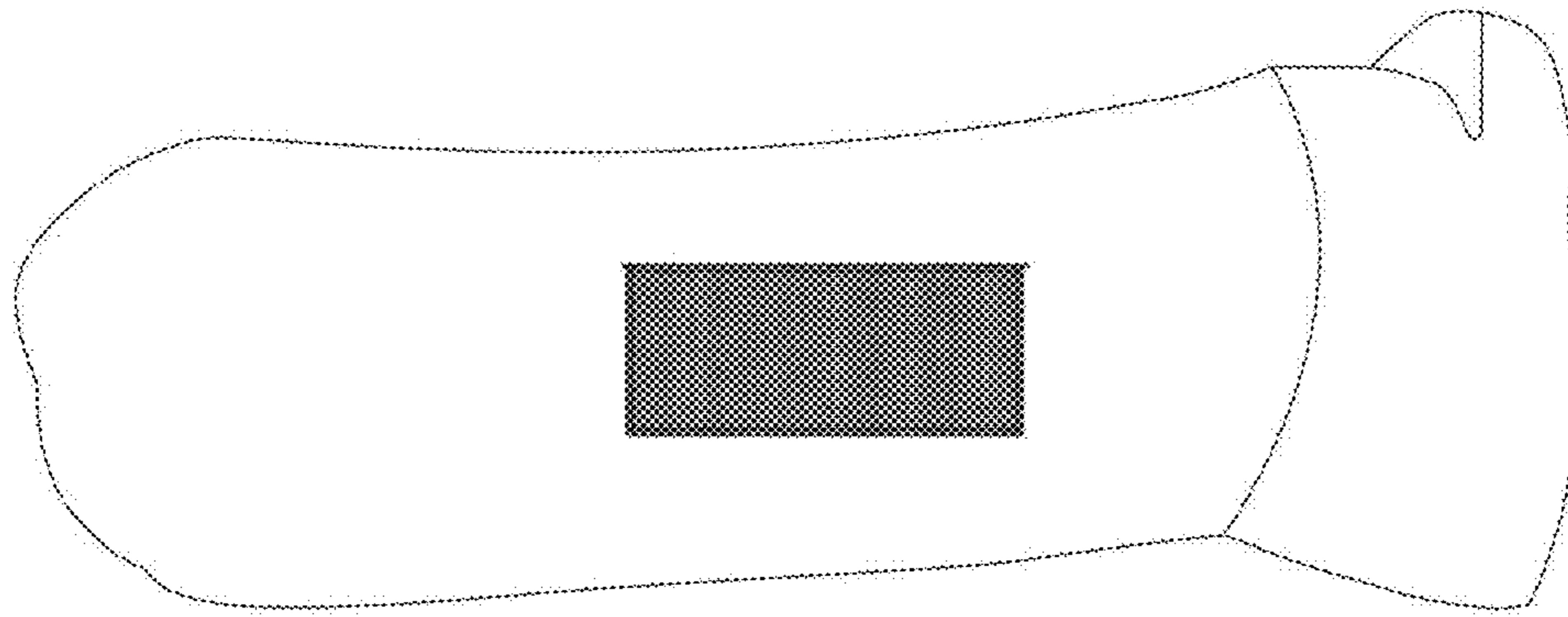


FIG.4

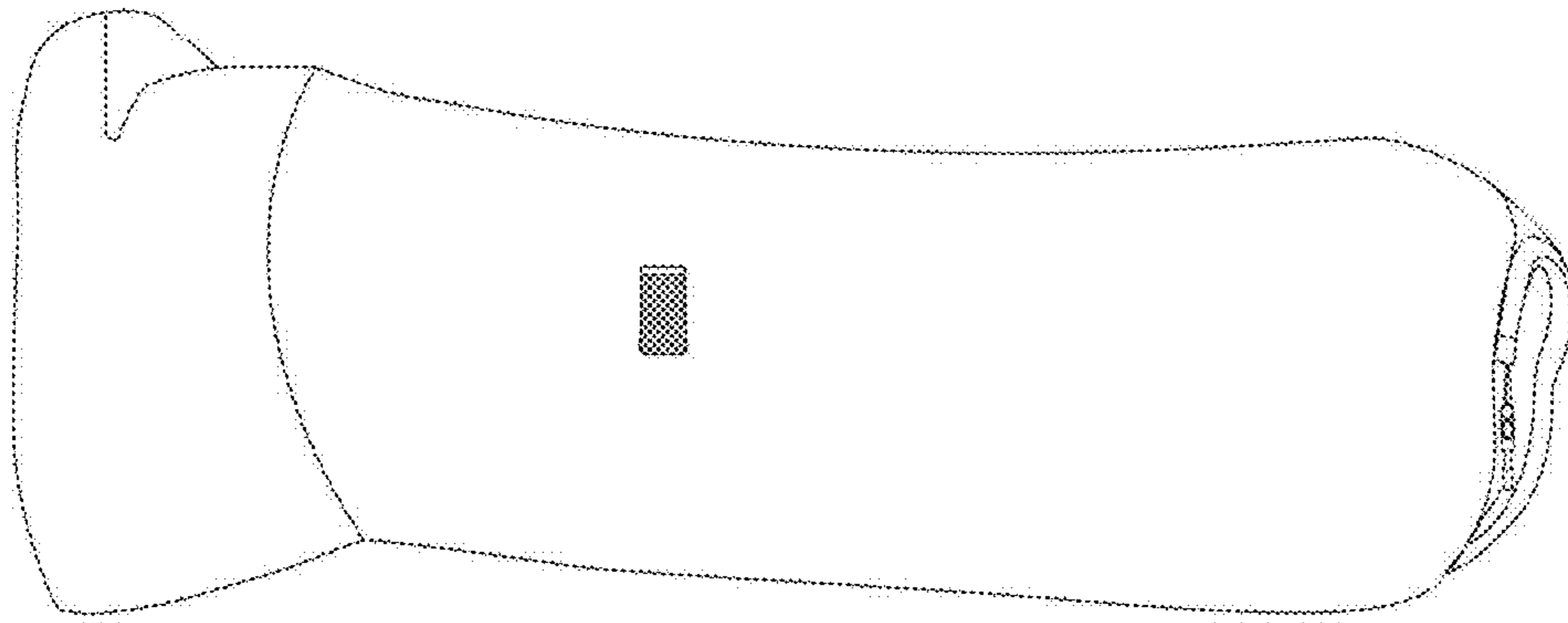


FIG.5

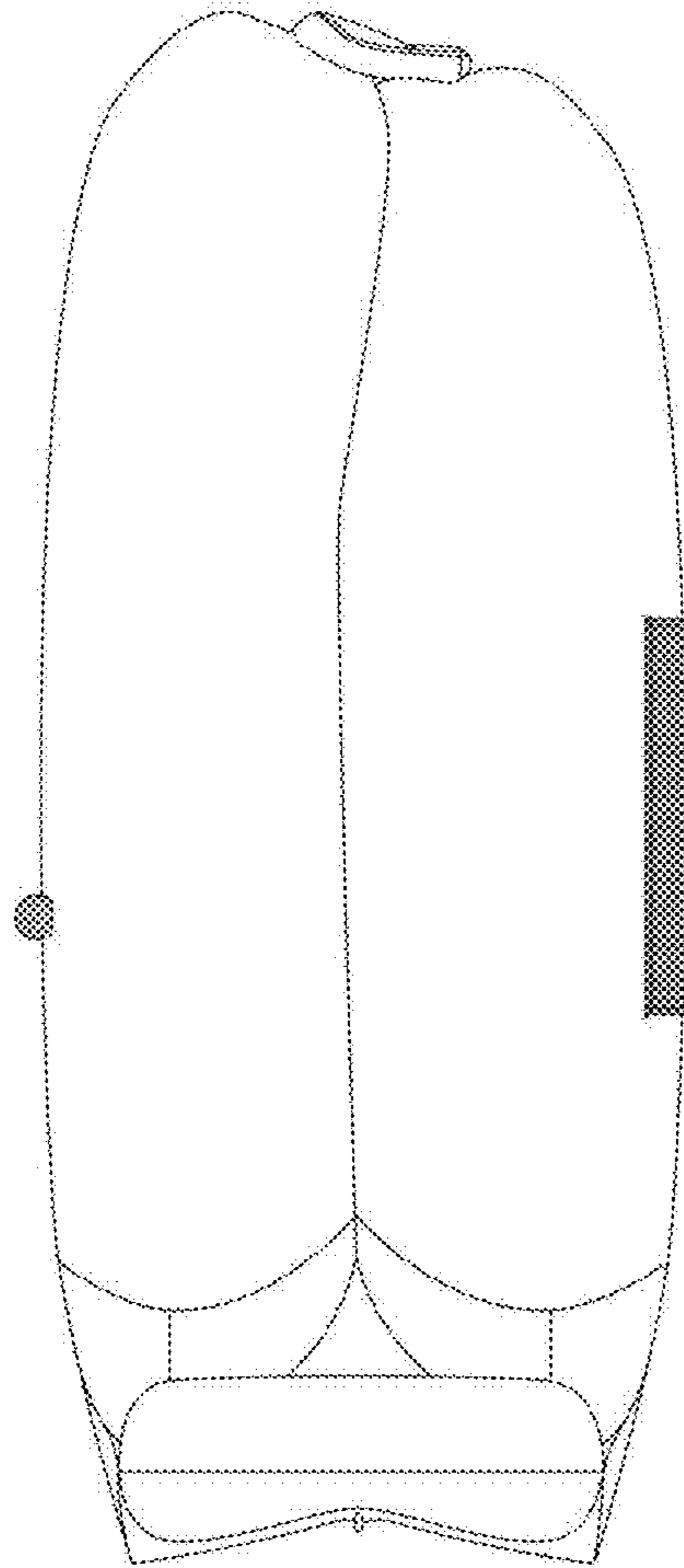


FIG.6

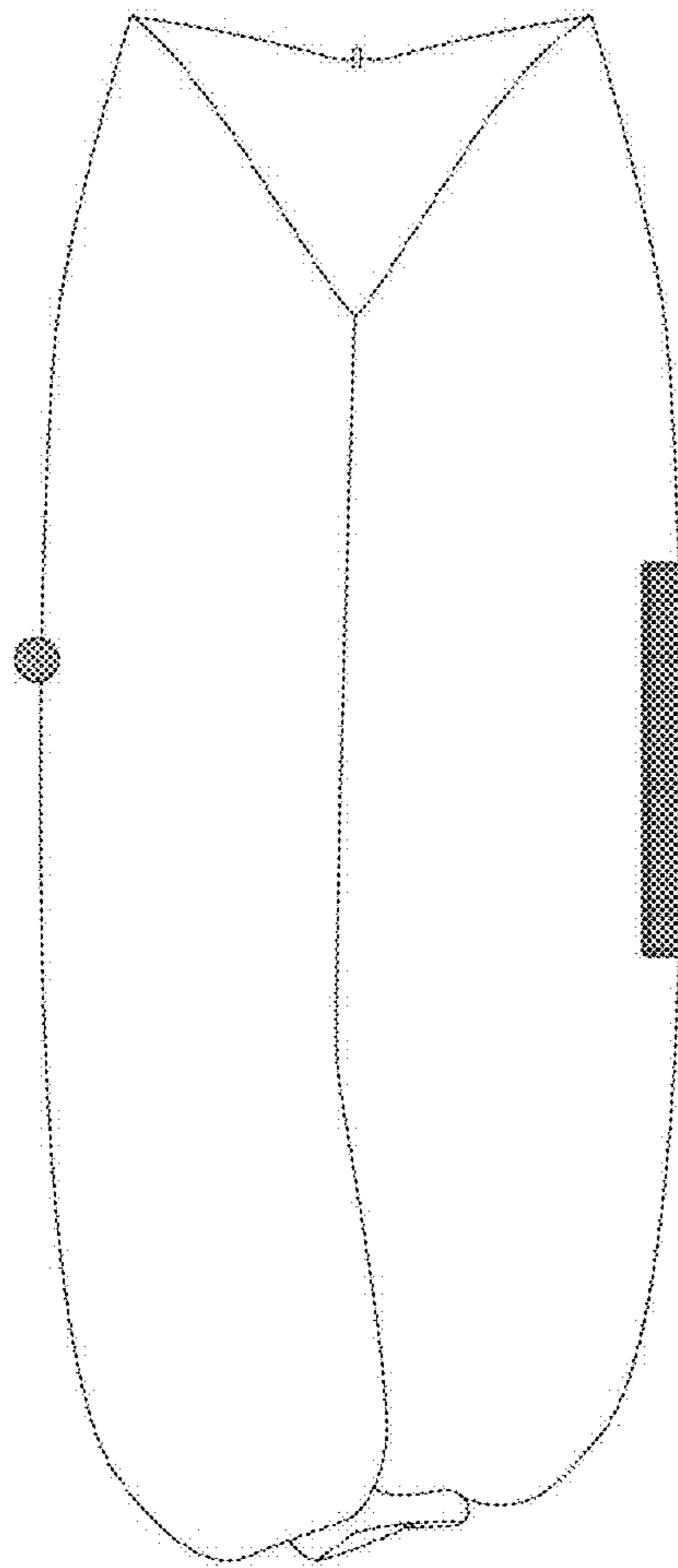


FIG.7