



US00D831365S

(12) **United States Design Patent**
Yao

(10) **Patent No.:** **US D831,365 S**

(45) **Date of Patent:** **** Oct. 23, 2018**

(54) **CHAIR**

(71) Applicant: **ZHEJIANG ANJI HUIYE FURNITURE CO., LTD.**, Huzhou (CN)

(72) Inventor: **Huiqin Yao**, Huzhou (CN)

(73) Assignee: **ZHEJIANG ANJI HUIYE FURNITURE CO., LTD.**, Huzhou (CN)

(**) Term: **15 Years**

(21) Appl. No.: **29/601,299**

(22) Filed: **Apr. 20, 2017**

(51) **LOC (11) Cl.** **06-01**

(52) **U.S. Cl.**
USPC **D6/360; D6/373; D6/375**

(58) **Field of Classification Search**
USPC D6/334-336, 360, 371, 373, 374, 375, D6/376, 379, 380, 716, 716.1, 716.2, D6/716.4

CPC .. A47C 4/02; A47C 4/03; A47C 4/028; A47C 3/12; A47C 5/04; A47C 5/12; A47C 7/16; A47C 9/007

See application file for complete search history.

(56) **References Cited**

U.S. PATENT DOCUMENTS

D207,777 S * 5/1967 Jakobsen D6/373
D237,848 S * 12/1975 Sklaroff D6/373

D339,244 S * 9/1993 Fahnstrom D6/373
D564,248 S * 3/2008 Alter Molina D6/373
D592,873 S * 5/2009 Olano Jauregui D6/373
D600,464 S * 9/2009 Olano Jauregui D6/373
D699,462 S * 2/2014 Meshorer D6/373
D728,953 S * 5/2015 Lievore D6/360
D799,227 S * 10/2017 Martinez D6/360

* cited by examiner

Primary Examiner — Mimoso De

(74) *Attorney, Agent, or Firm* — Symbus Law Group, LLC; Clifford D. Hyra

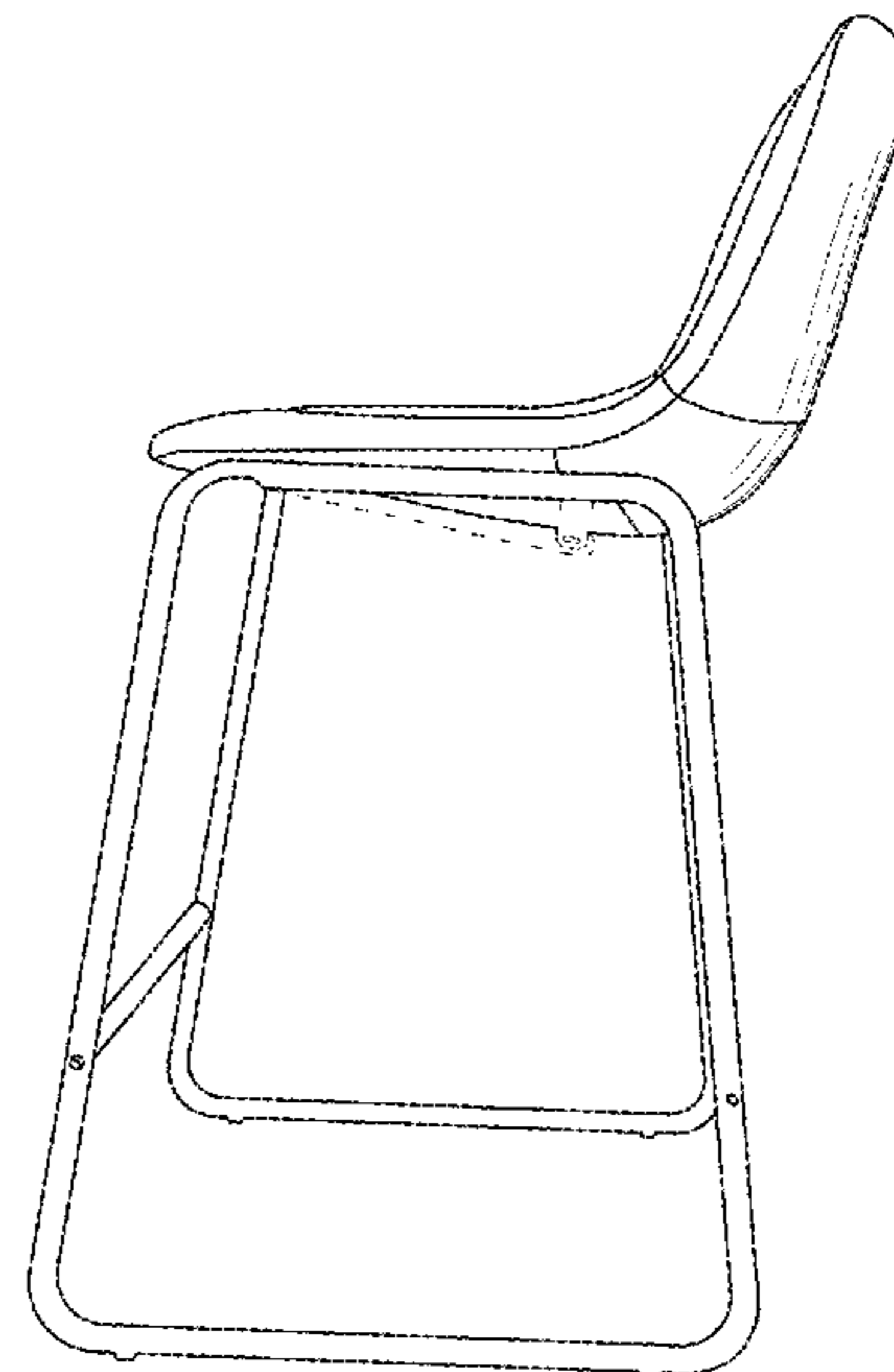
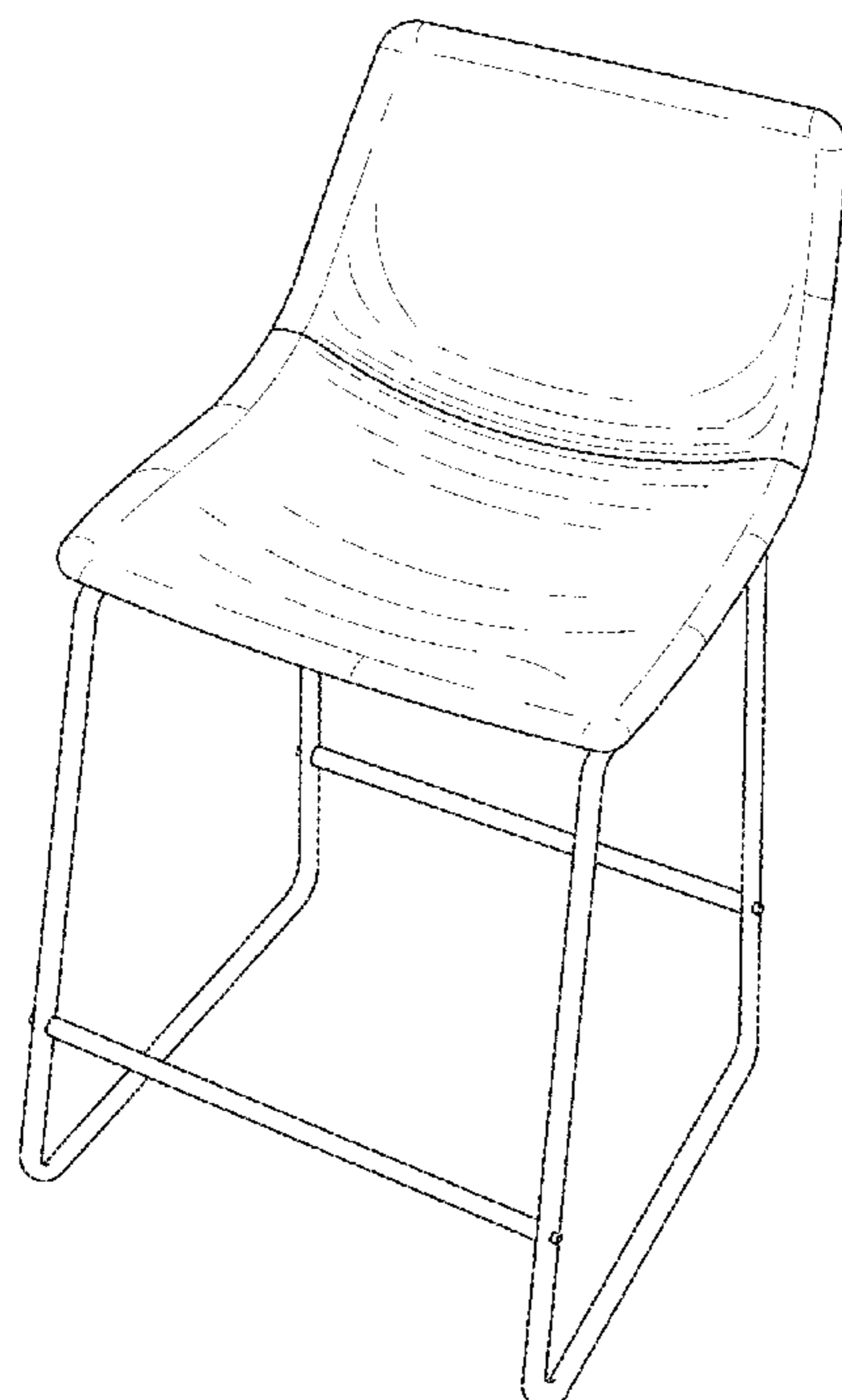
(57) **CLAIM**

The ornamental design for a chair, as shown and described.

DESCRIPTION

FIG. 1 is a top view of the chair;
FIG. 2 is a rear view thereof;
FIG. 3 is a perspective view thereof, showing the top, front and right sides thereof;
FIG. 4 is a right side view thereof;
FIG. 5 is a left side view thereof; and,
FIG. 6 is a front view thereof.
The broken lines in the drawings are included for the purpose of illustrating subject matter that forms no part of the claimed design.

1 Claim, 6 Drawing Sheets



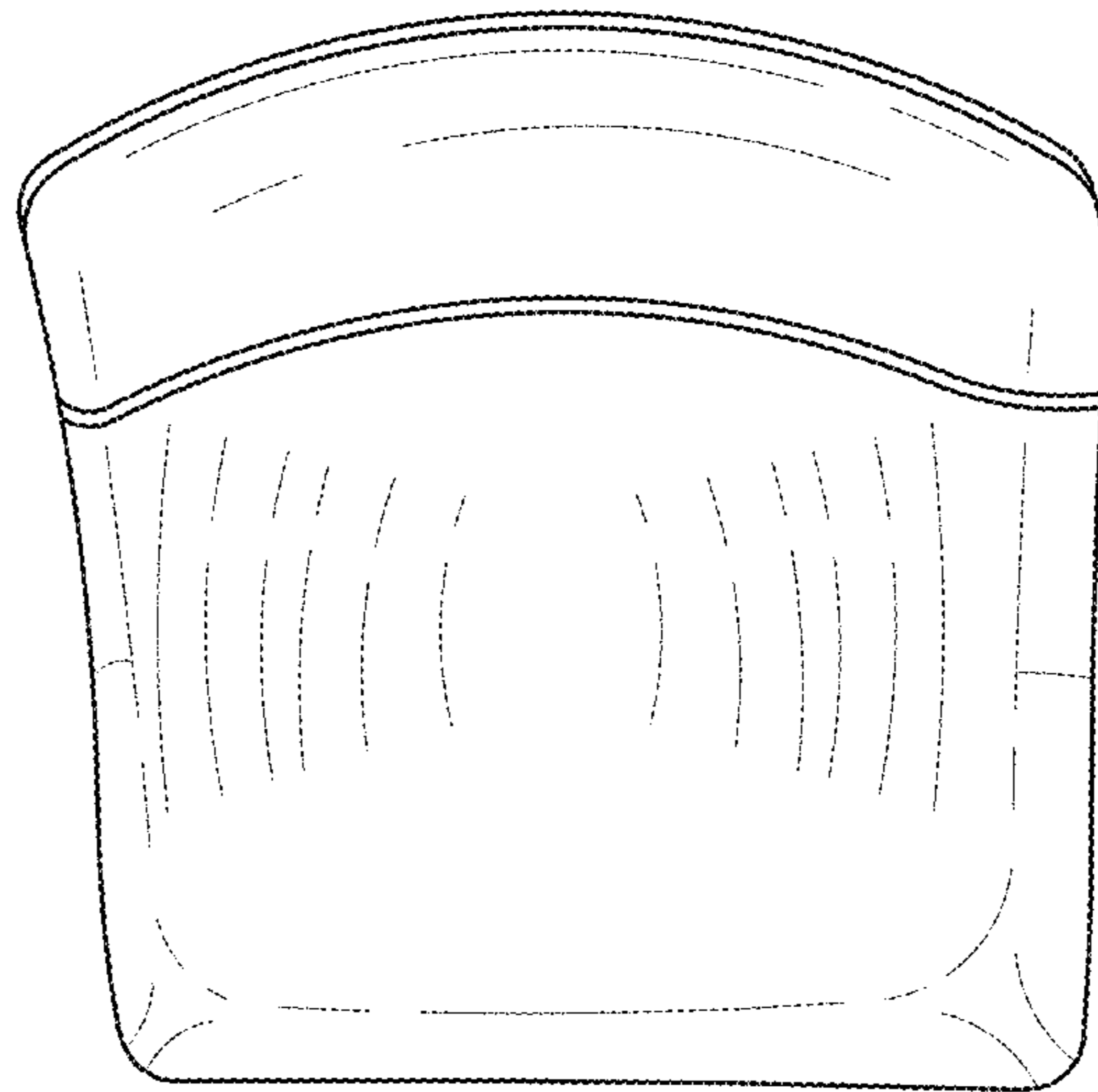


FIG. 1

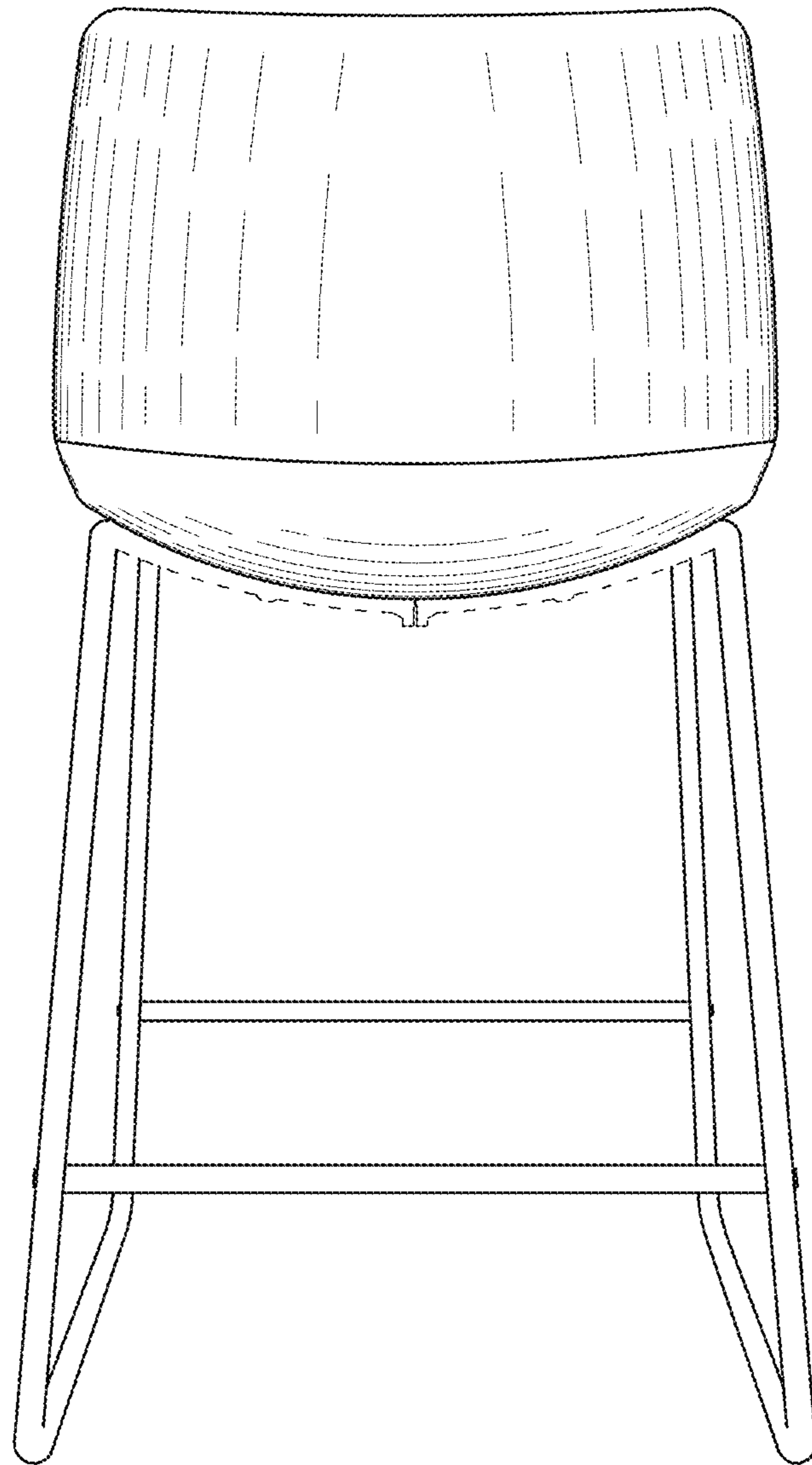


FIG. 2

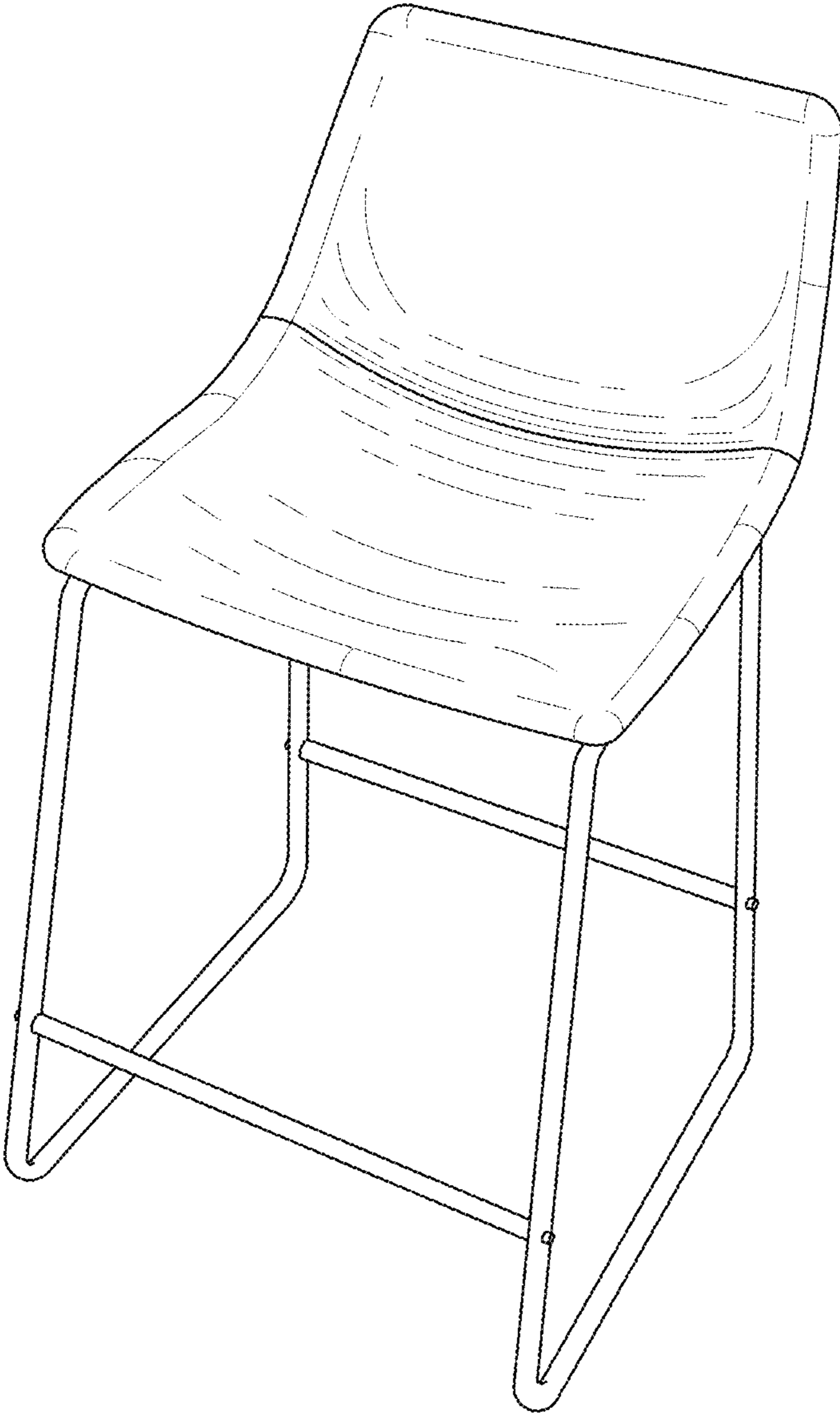


FIG. 3

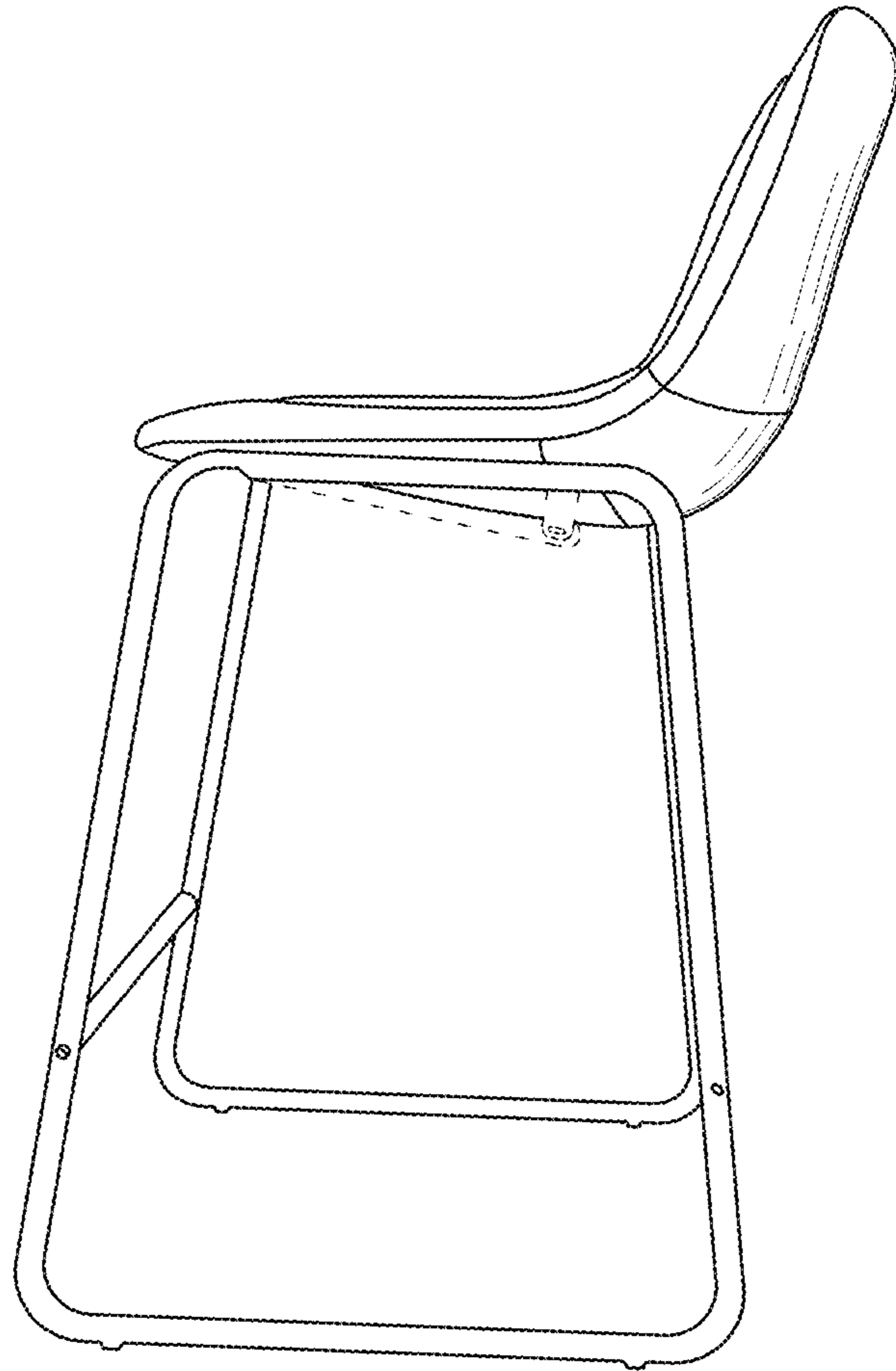


FIG. 4

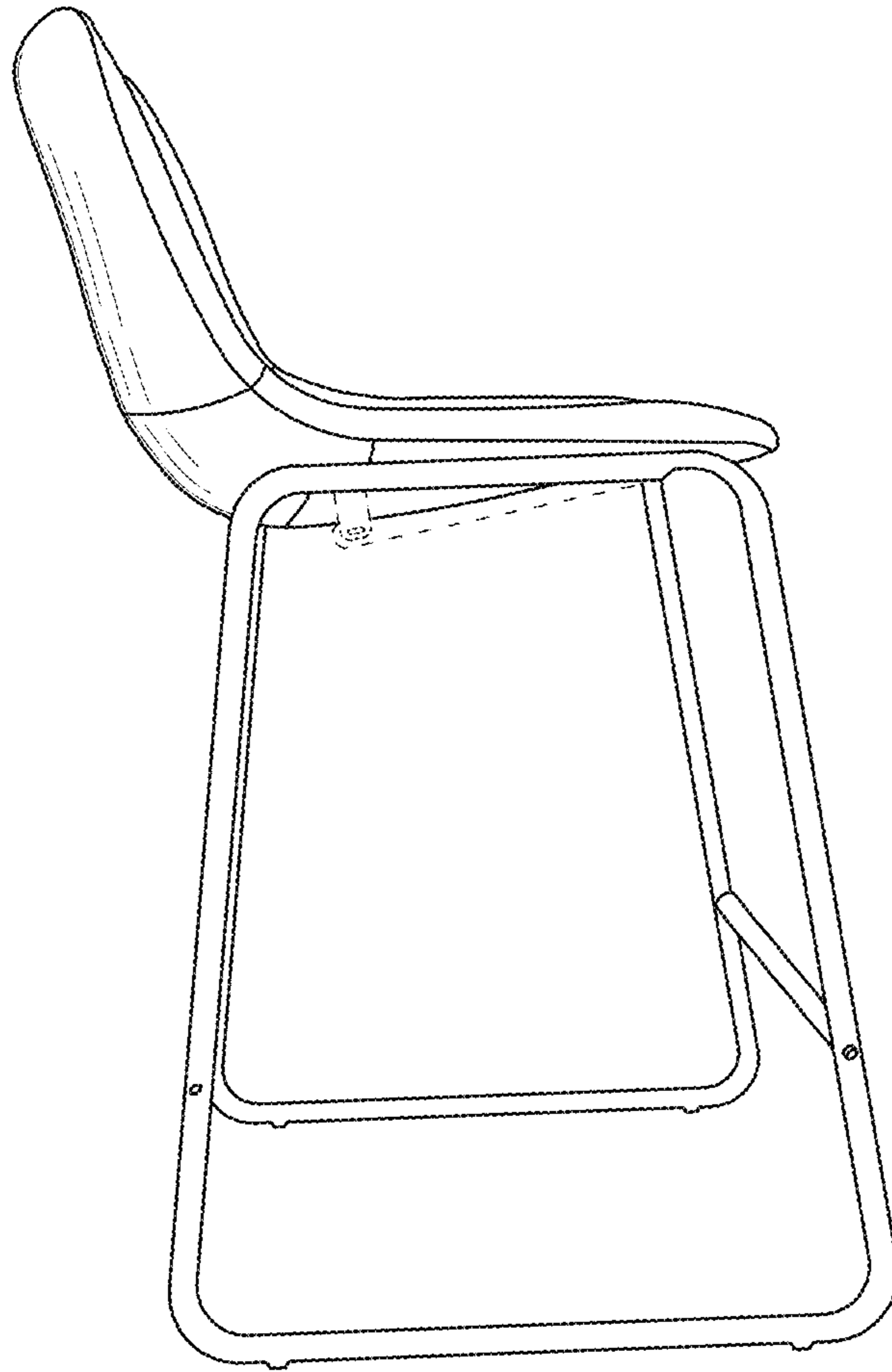


FIG. 5

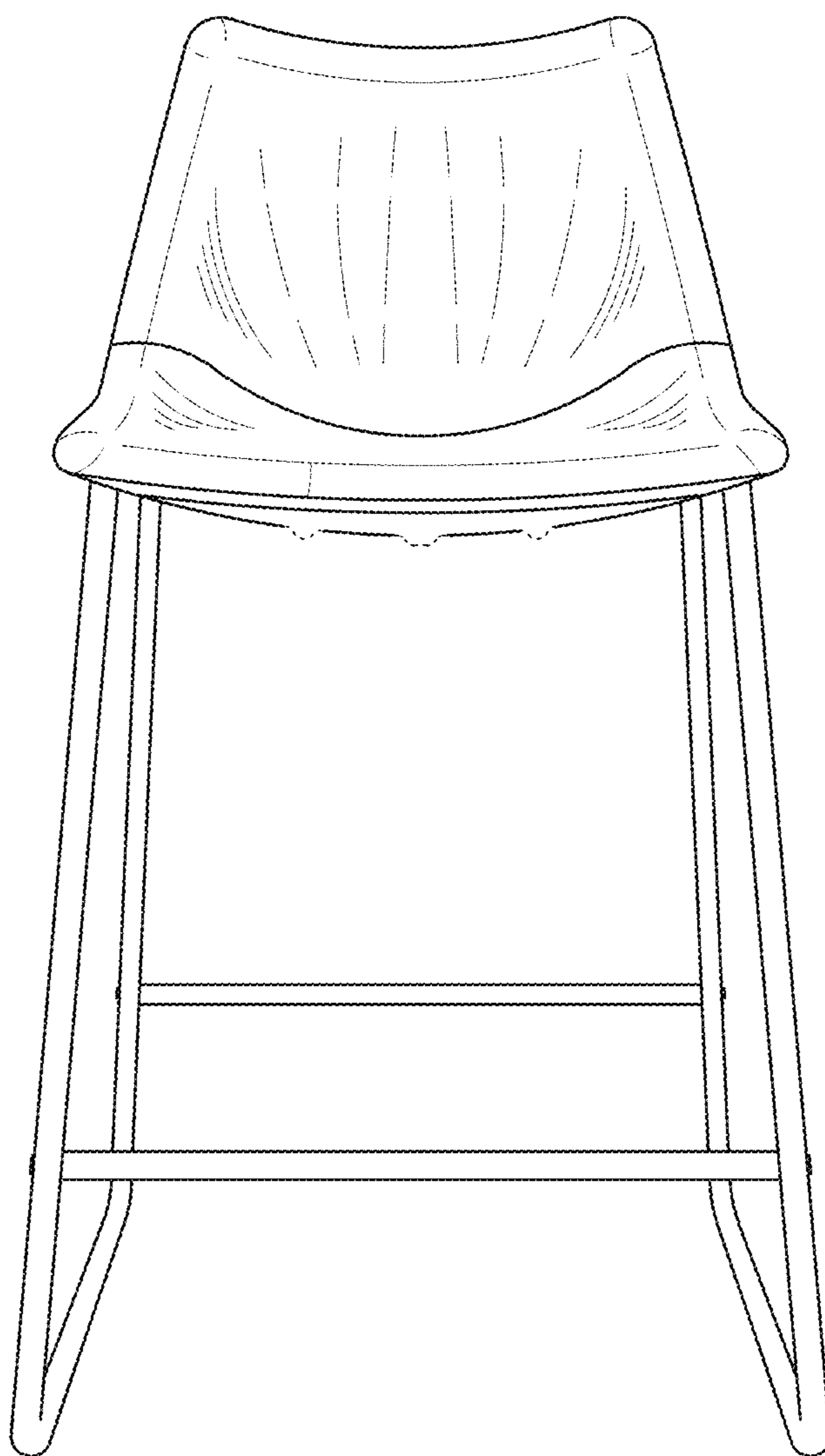


FIG. 6