



US00D831364S

(12) **United States Design Patent** (10) **Patent No.:** **US D831,364 S**
Brown (45) **Date of Patent:** **** Oct. 23, 2018**

(54) **BED STEP**
(71) Applicant: **Timothy Brown**, Galena, IL (US)
(72) Inventor: **Timothy Brown**, Galena, IL (US)
(73) Assignee: **Timothy Brown**, Galena, IL (US)
(**) Term: **15 Years**
(21) Appl. No.: **29/586,799**
(22) Filed: **Dec. 7, 2016**
(51) **LOC (11) Cl.** **06-01**
(52) **U.S. Cl.**
USPC **D6/350; D25/63**
(58) **Field of Classification Search**
USPC D6/274, 334, 349-353, 360, 364-367,
D6/371-374, 403-405, 596, 691-691.9,
D6/692-692.6, 708.21, 716; D25/62-65,
D25/69
CPC A47B 7/00; A47B 7/02; A47B 9/00; A47B
13/02; A47B 23/00; A47B 39/00; A47C
7/002; A47C 7/18; A47C 3/18; A47C
3/20; A47C 9/002; A47C 9/007; A47C
9/02; A47C 11/00
See application file for complete search history.

5,161,484 A 11/1992 Duane
5,213,060 A 5/1993 Sloan et al.
5,592,801 A 1/1997 Balzer
5,634,440 A 6/1997 Mogck
D383,261 S * 9/1997 Karsten 119/705
5,724,685 A 3/1998 Weismiller et al.
5,829,380 A 11/1998 Smith
5,870,788 A 2/1999 Witkin
5,924,383 A 7/1999 Smith
5,940,910 A 8/1999 Weismiller et al.
D430,679 S * 9/2000 Rodgers D25/63
6,119,634 A 9/2000 Myrick
6,267,082 B1 7/2001 Naragon et al.
6,516,752 B2 2/2003 Batterton
6,536,372 B1 3/2003 Loeser
6,691,645 B1 2/2004 Ayers, Jr.
6,715,177 B1 4/2004 Lagergren-Julander
6,928,959 B1 8/2005 Truemicht et al.

(Continued)

Primary Examiner — Vy N Koenig
(74) *Attorney, Agent, or Firm* — Marshall, Gerstein & Borun LLP

(57) **CLAIM**

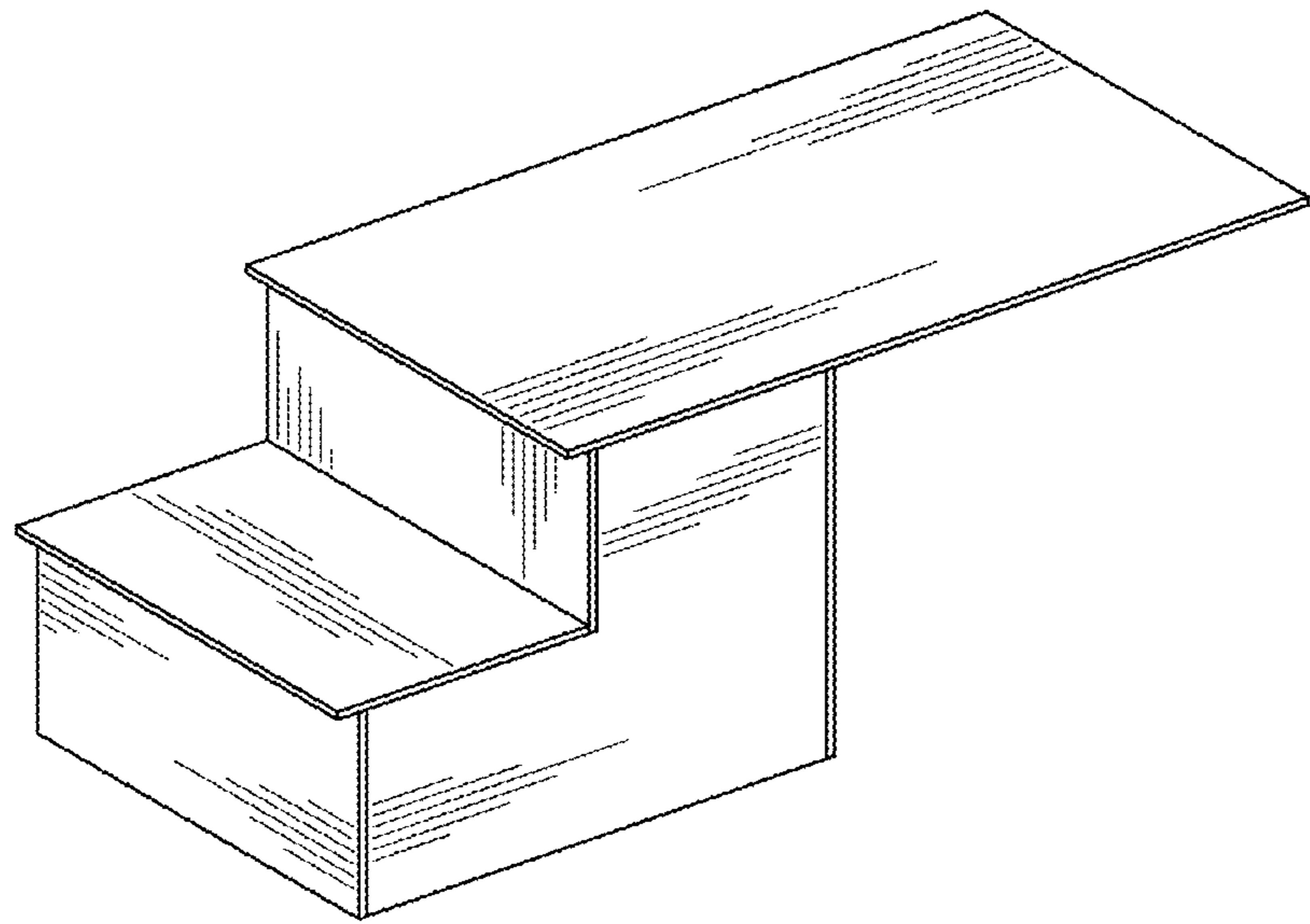
I claim the ornamental designs for a bed step, as shown and described.

DESCRIPTION

FIG. 1 is a perspective view of the bed step of the invention. FIG. 2 is a top plan view of the bed step of the invention. FIG. 3 is a right side elevation view of the bed step of the invention. FIG. 4 is a rear elevation view of the bed step of the invention. FIG. 5 is a front elevation view of the bed step of the invention. FIG. 6 is a left side elevation view of the bed step of the invention; and, FIG. 7 is a bottom plan view of the bed step of the invention.

1 Claim, 3 Drawing Sheets

(56) **References Cited**
U.S. PATENT DOCUMENTS
2,563,436 A 8/1951 Toth
2,939,309 A * 6/1960 Sitton E04F 11/025
52/189
D194,399 S * 1/1963 Muth et al. D25/63
3,462,170 A 8/1969 Smith et al.
4,168,764 A 9/1979 Walters
4,359,793 A 11/1982 Hosono
4,524,475 A 6/1985 Valentino
4,937,902 A 7/1990 Ceike Shapiro
4,982,464 A 1/1991 Lucero



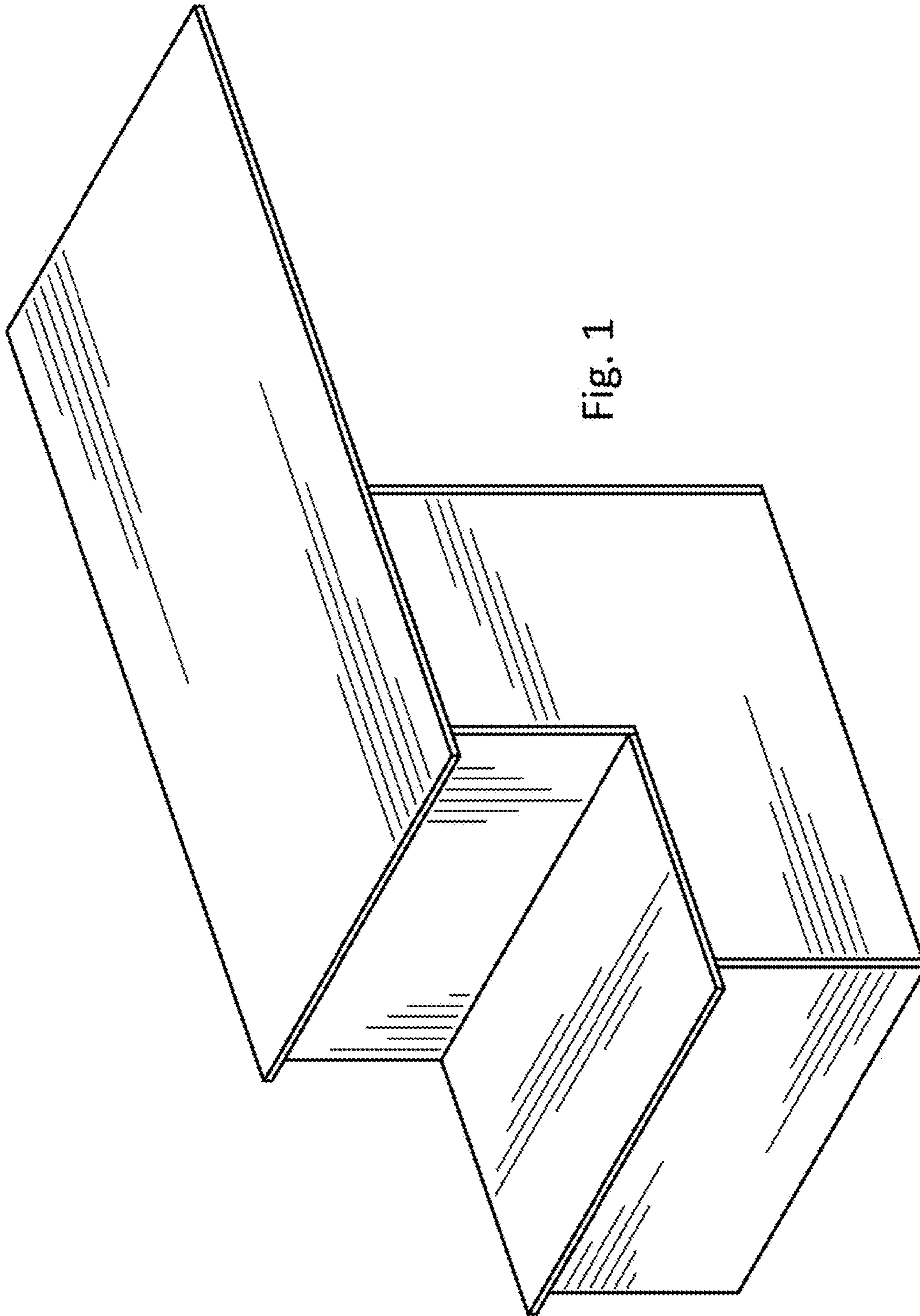
(56)

References Cited

U.S. PATENT DOCUMENTS

6,964,246 B2	11/2005	Wolfington et al.	2005/0236351 A1*	10/2005	Curatolo	E04F 11/022 211/186
6,968,810 B2	11/2005	Bishop	2006/0137266 A1	6/2006	Whalen	
7,011,045 B1	3/2006	Zehner	2006/0180097 A1	8/2006	Notine	
D548,898 S	8/2007	Northrop et al.	2006/0225372 A1	10/2006	Gonzalez	
7,621,236 B2	11/2009	Steffey et al.	2007/0089690 A1	4/2007	Khubani et al.	
7,766,357 B2	8/2010	Arvanites	2007/0131178 A1	6/2007	Edgar	
D640,015 S	6/2011	Birck	2007/0289556 A1	12/2007	Hoffman et al.	
D653,043 S *	1/2012	Rumley	2008/0257280 A1*	10/2008	Jakubowski	A01K 1/035 119/849
9,055,824 B2	6/2015	Brown	2009/0124464 A1*	5/2009	Kastelic	A63B 17/04 482/52
9,314,106 B2	4/2016	Brown	2009/0188444 A1	7/2009	Whalen	
D760,852 S *	7/2016	Appleton	2010/0083913 A1	4/2010	Gibson	
D770,642 S *	11/2016	Johnson	2011/0017547 A1	1/2011	Lee et al.	
D794,983 S *	8/2017	Peota	2011/0061972 A1	3/2011	Parvizian et al.	
2003/0154669 A1	8/2003	Vandaan	2011/0131902 A1	6/2011	Young	
2004/0070245 A1*	4/2004	McMakin	2013/0111663 A1*	5/2013	Brown	A47C 21/00 5/507.1
2004/0244724 A1	12/2004	Runge	2013/0192925 A1*	8/2013	Chitayat	A47C 12/00 182/152
2005/0056233 A1	3/2005	O'Leary et al.				
2005/0115522 A1	6/2005	Bishop				

* cited by examiner



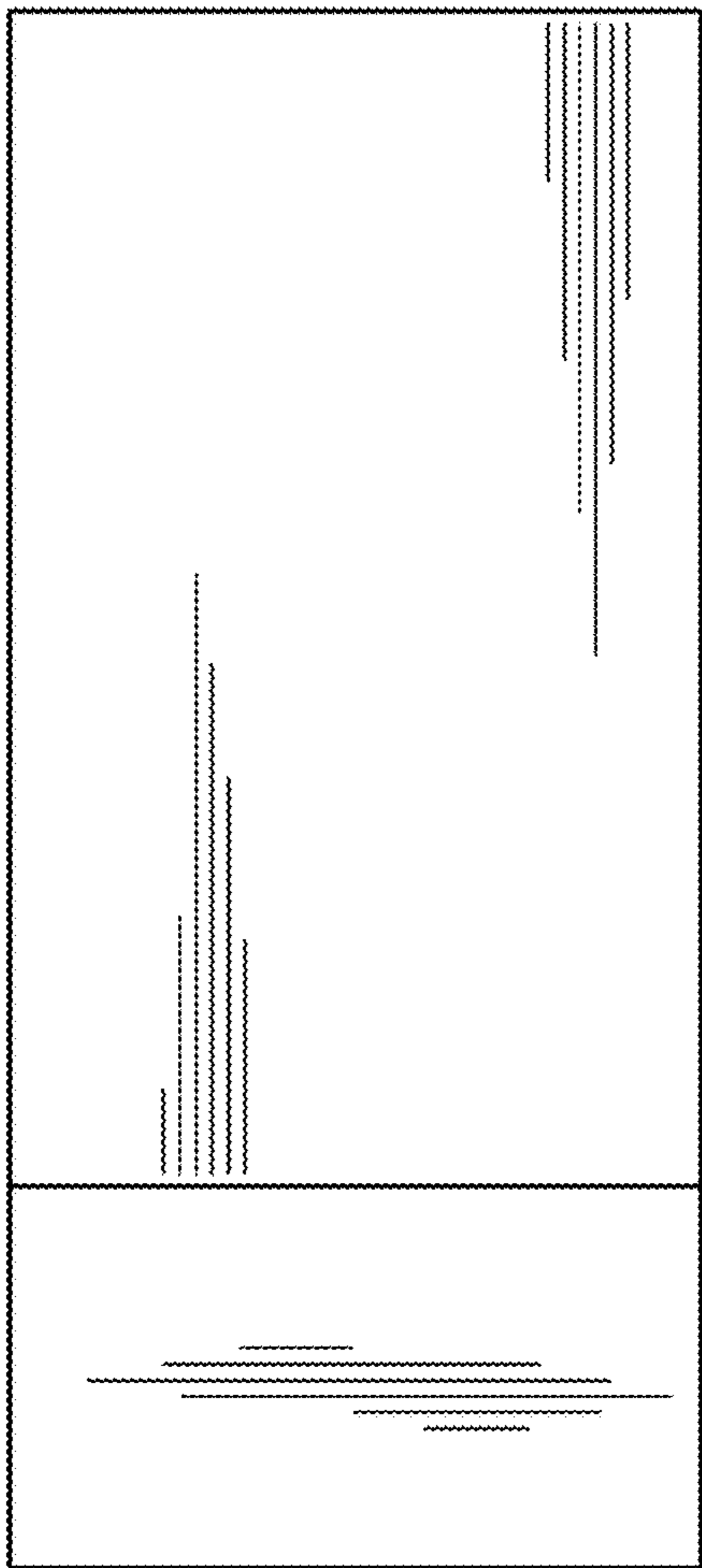


Fig. 2

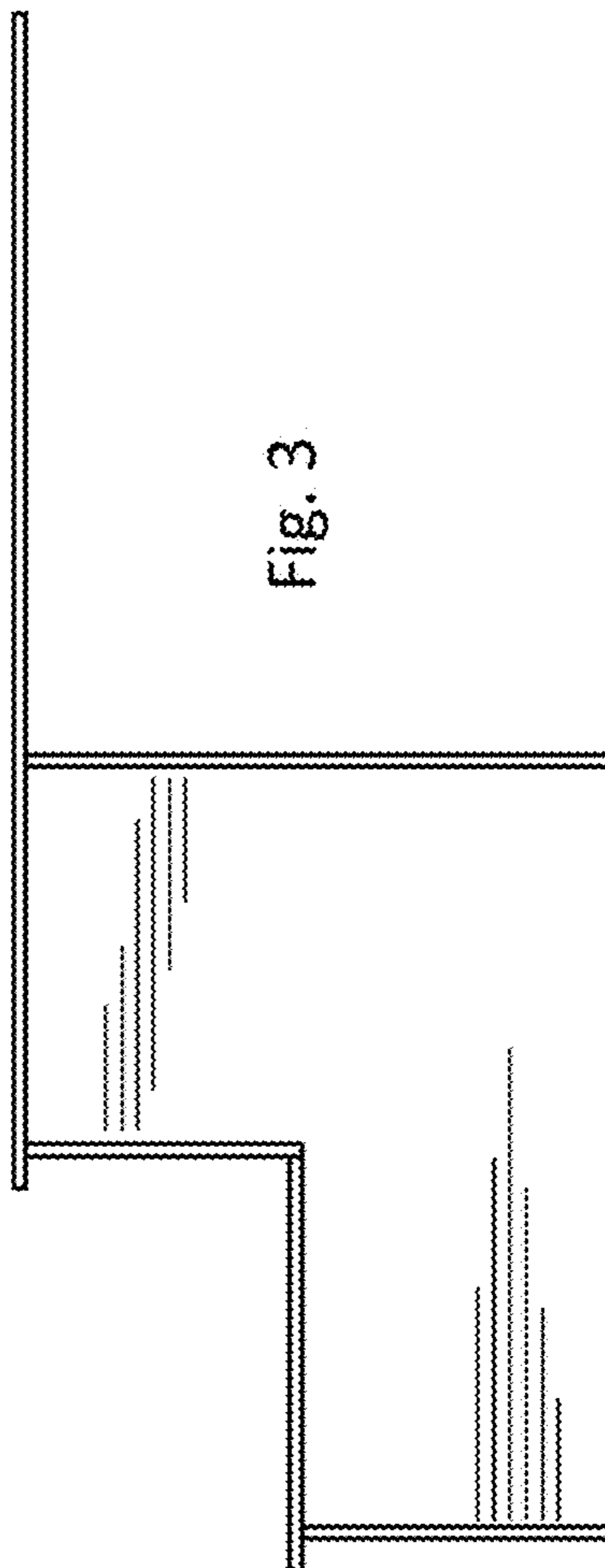


Fig. 3

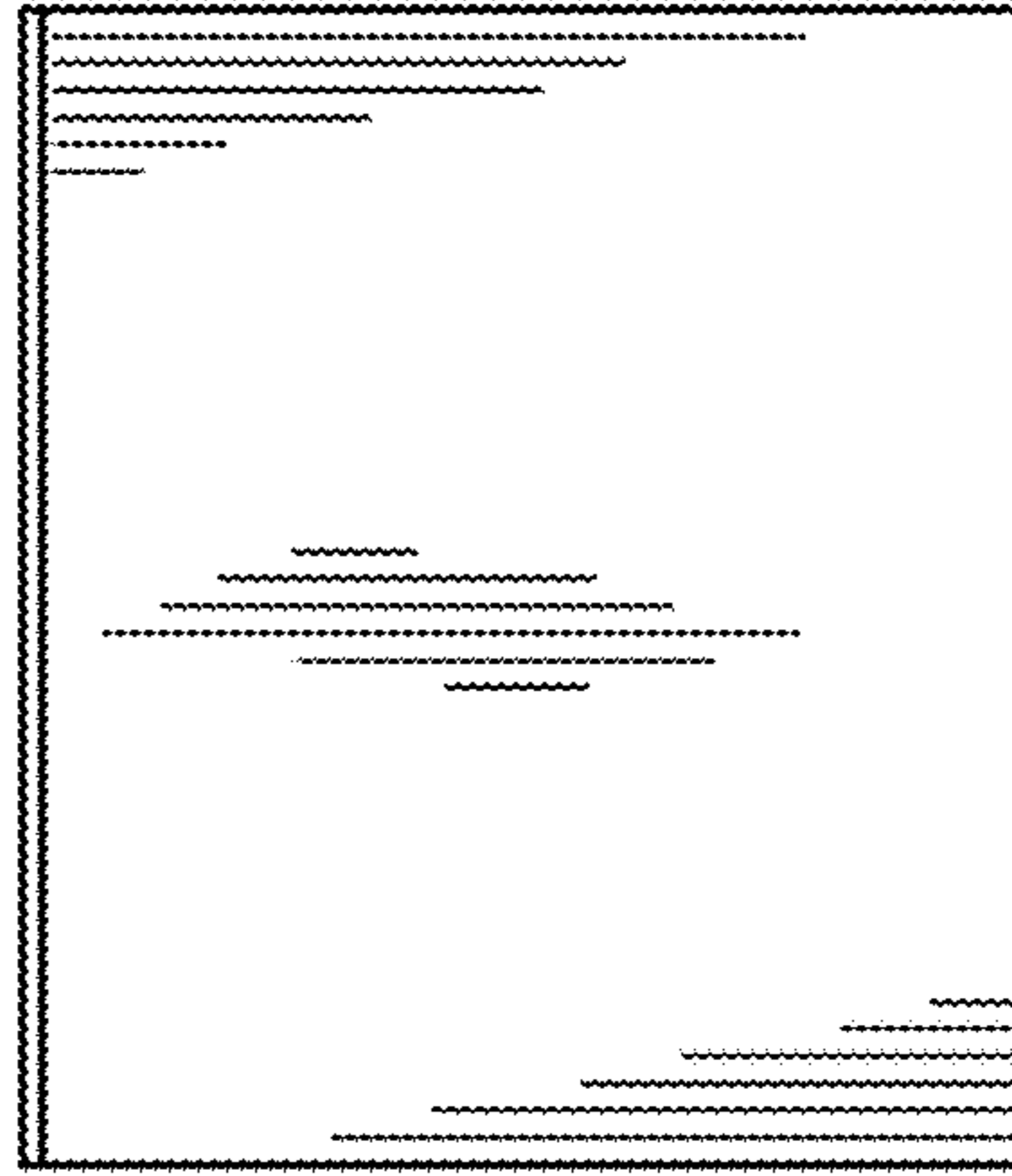


Fig. 4

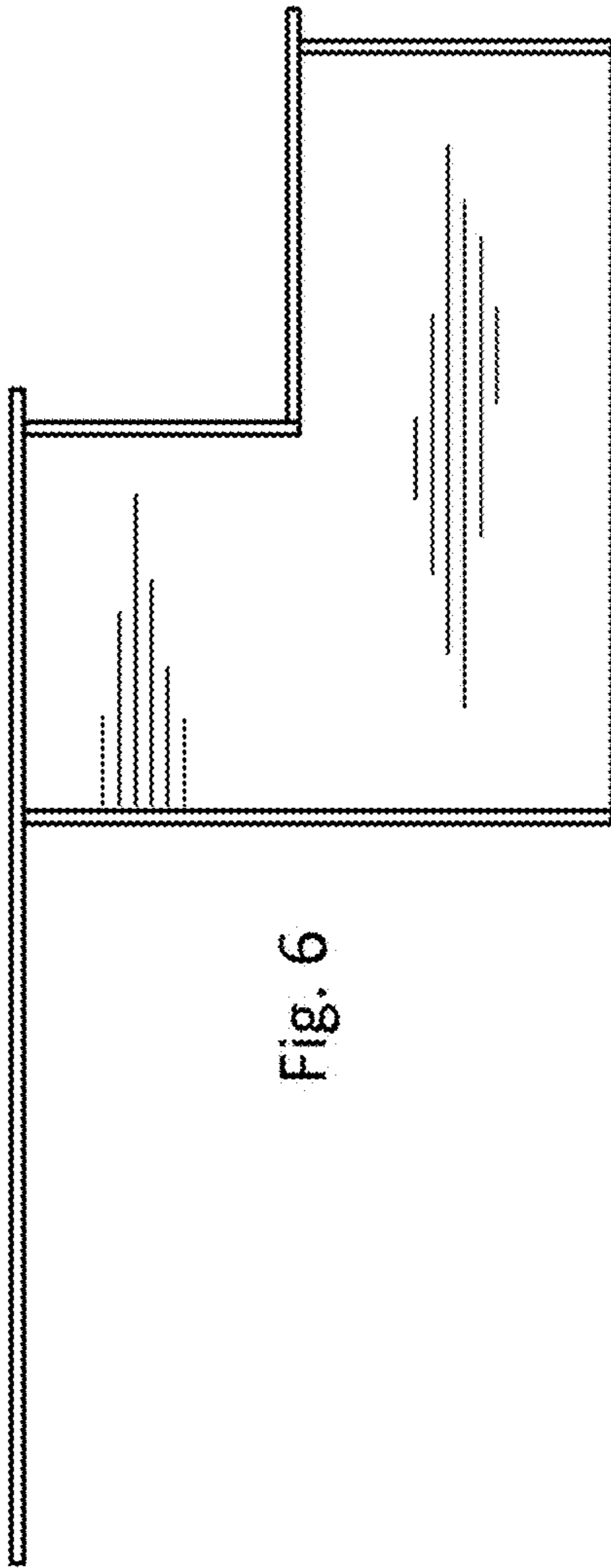


Fig. 6

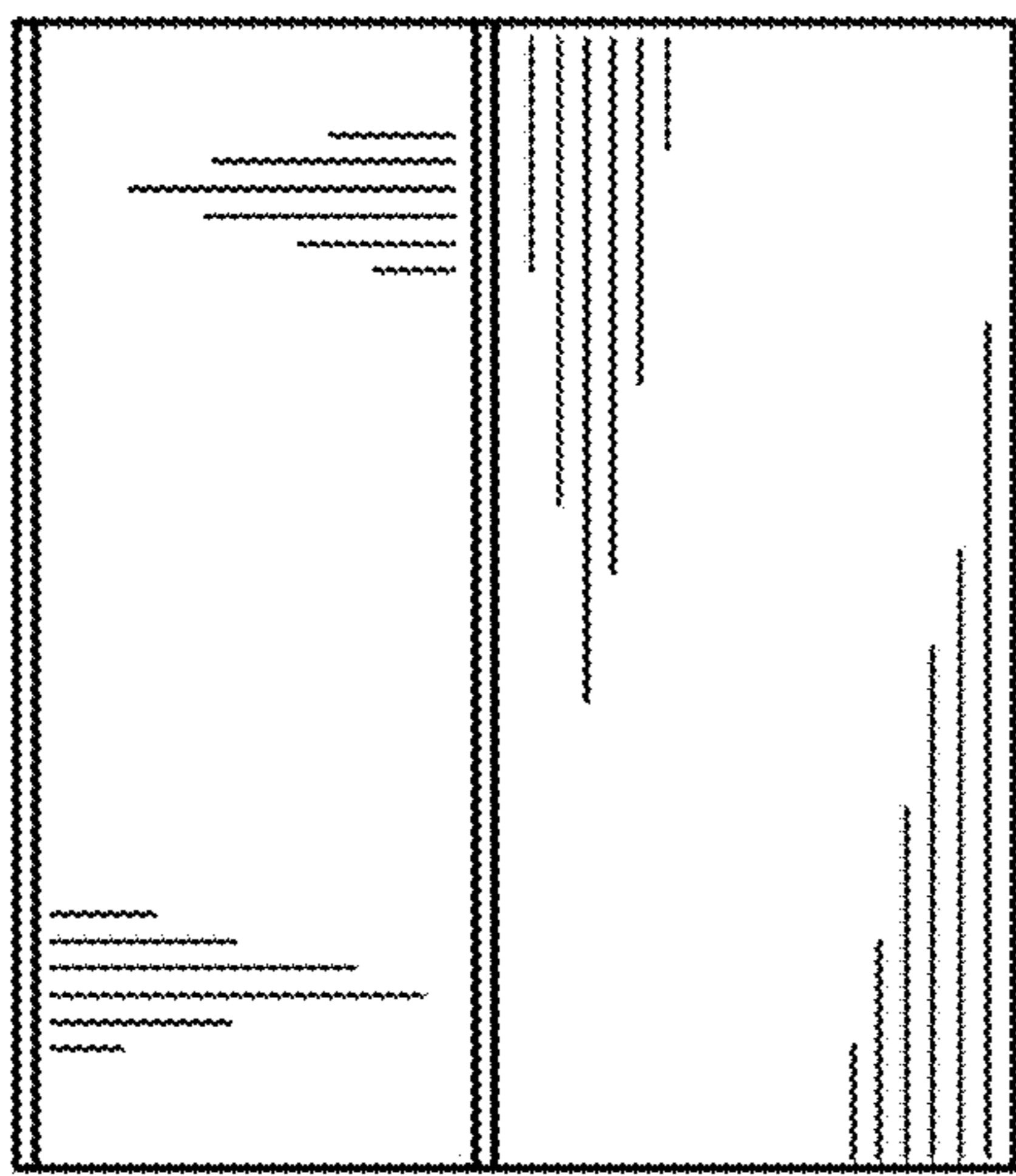


Fig. 5

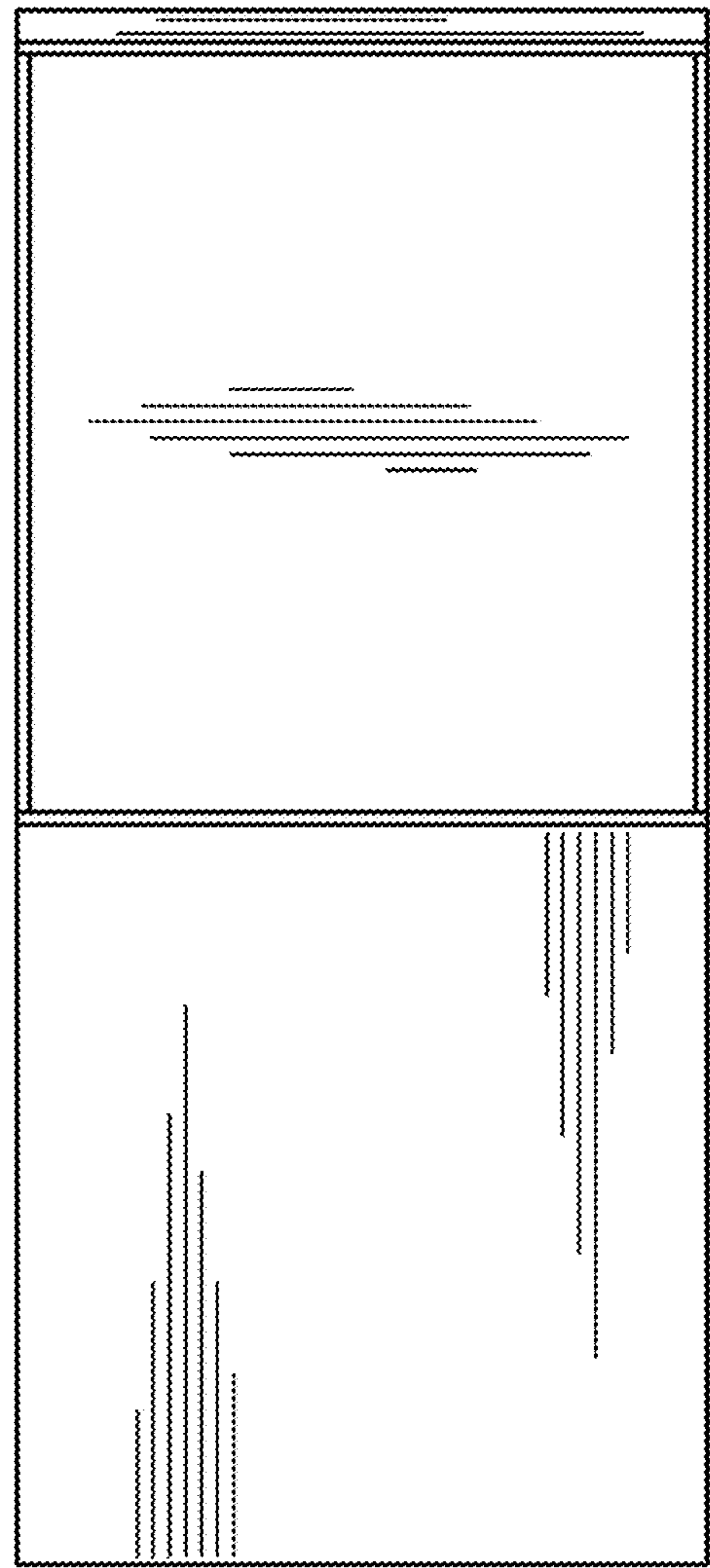


Fig. 7