



US00D831360S

(12) **United States Design Patent**  
**Bennett**

(10) **Patent No.:** **US D831,360 S**  
(45) **Date of Patent:** **\*\* Oct. 23, 2018**

(54) **SNOW BRUSH**  
(71) Applicant: **HOPKINS MANUFACTURING CORPORATION**, Emporia, KS (US)  
(72) Inventor: **Kyle Bennett**, Emporia, KS (US)  
(73) Assignee: **Hopkins Manufacturing Corporation**, Emporia, KS (US)  
(\*\*) Term: **15 Years**

1,439,913 A \* 12/1922 Saxe ..... A46B 5/0075  
15/172  
1,847,668 A \* 3/1932 Reh ..... A46B 9/00  
15/143.1  
D99,109 S \* 3/1936 Bickel ..... D4/132  
2,799,037 A \* 7/1957 Grogan ..... A47L 13/24  
15/172  
D183,587 S \* 9/1958 Sheppard ..... D4/116  
D185,466 S \* 6/1959 Scholl ..... D4/129  
D197,327 S \* 1/1964 Murphy ..... D4/119  
D207,049 S \* 2/1967 McCord ..... D4/130  
(Continued)

(21) Appl. No.: **29/574,627**  
(22) Filed: **Aug. 17, 2016**  
(51) **LOC (11) Cl.** ..... **04-99**  
(52) **U.S. Cl.**  
USPC ..... **D4/118; D4/129; D4/130; D4/134**  
(58) **Field of Classification Search**  
USPC ..... D4/118, 114, 115, 121, 129, 130, 132,  
D4/134, 137; D32/40, 41, 42, 45  
CPC ..... A45D 24/14; A45D 24/16; A46B 3/005;  
A46B 5/00; A46B 5/02; A46B 5/021;  
A46B 9/02; A46B 9/021; A46B 9/023;  
A46B 13/001; A46B 13/008; A46B  
15/0055; A46B 15/0081; A46B 15/0087;  
A46B 17/02; A46B 2200/30; A46B  
2200/104; A46B 2200/106; A46B  
2200/202; A46B 2200/205; A46B  
2200/207; A46B 2200/304; A46B  
2200/1006; A46B 2200/1046; A46B  
2200/1053; A46B 2200/3006; A46B  
2200/3033; A46B 2200/3093; E01H 1/12;  
E01H 1/105  
See application file for complete search history.

(56) **References Cited**  
U.S. PATENT DOCUMENTS  
107,397 A \* 9/1870 Minderele ..... A46B 5/02  
15/143.1  
D25,895 S \* 8/1896 Young ..... 15/159.1

**OTHER PUBLICATIONS**

Amazon—Hopkins 14180 Snowbroom, announced Jun. 12, 2017 [online], [site visited Mar. 8, 2018]. Available from internet, URL: <<https://www.amazon.com/Hopkins-14180-Ultimate-Crossover-Snowbroom/dp/B071GKQX1R>>.\*  
(Continued)

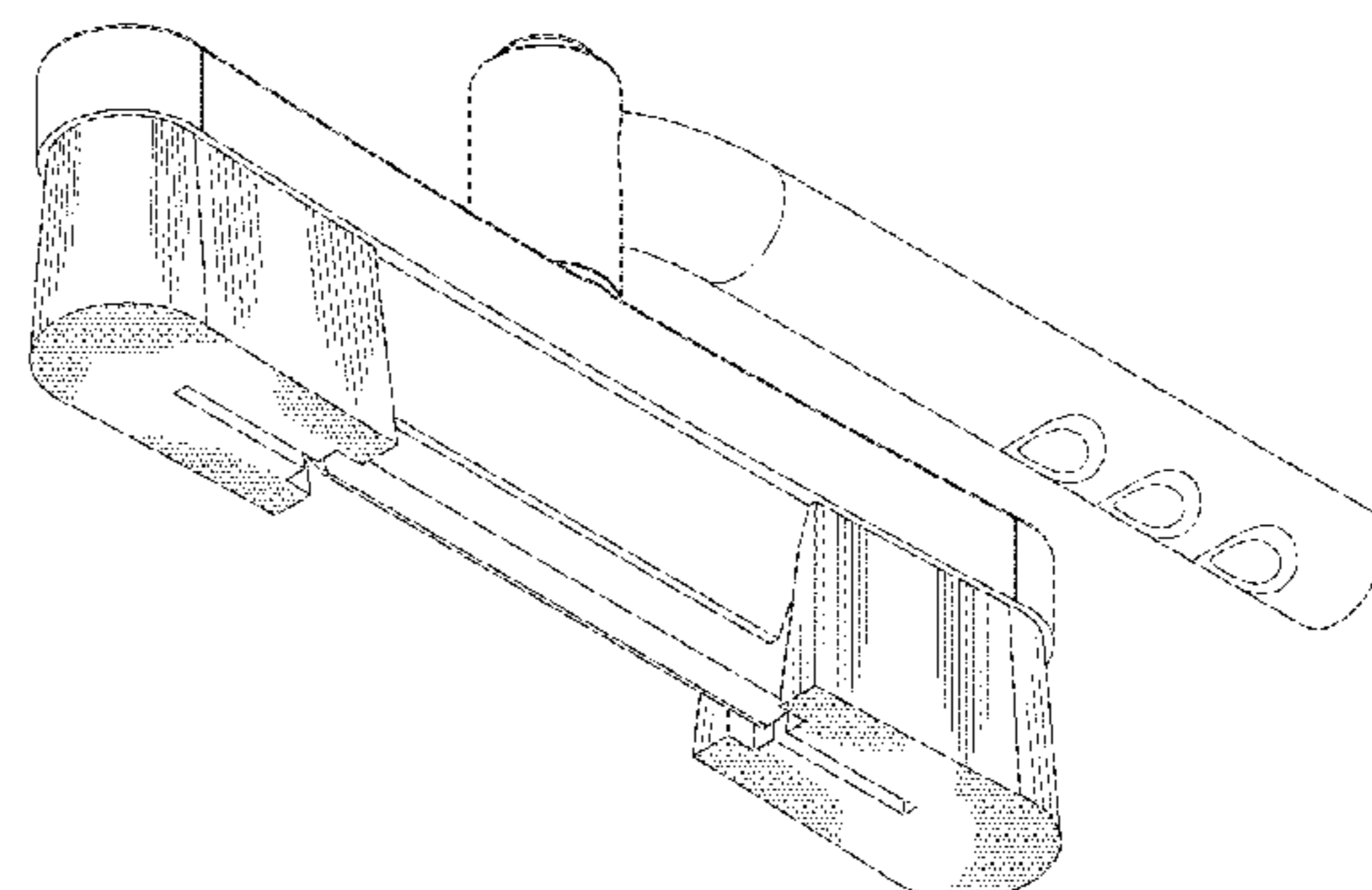
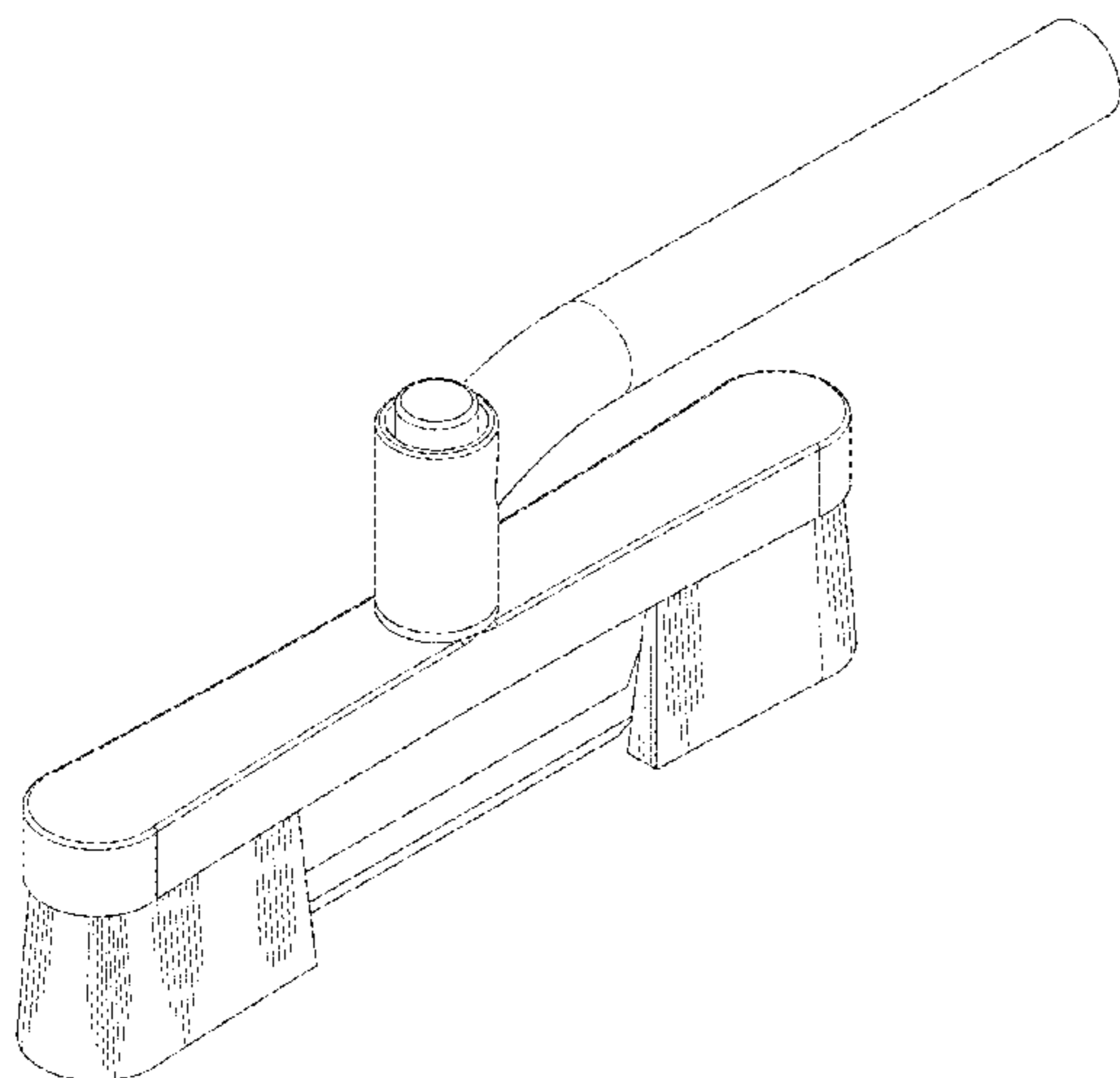
*Primary Examiner* — Keli L Hill  
*Assistant Examiner* — Karra S Johnson  
(74) *Attorney, Agent, or Firm* — Hovey Williams LLP

(57) **CLAIM**  
The ornamental design for a snow brush, as shown and described.

**DESCRIPTION**

FIG. 1 is a top perspective view of a snow brush embodying my design;  
FIG. 2 is a bottom perspective view of the snow brush of FIG. 1;  
FIG. 3 is a side elevational view of the snow brush of FIG. 1;  
FIG. 4 is a top plan view of the snow brush of FIG. 1;  
FIG. 5 is a bottom view of the snow brush of FIG. 1;  
FIG. 6 is a front end view of the snow brush of FIG. 1; and,  
FIG. 7 is a rear end view of the snow brush of FIG. 1.

**1 Claim, 3 Drawing Sheets**



(56)

**References Cited**

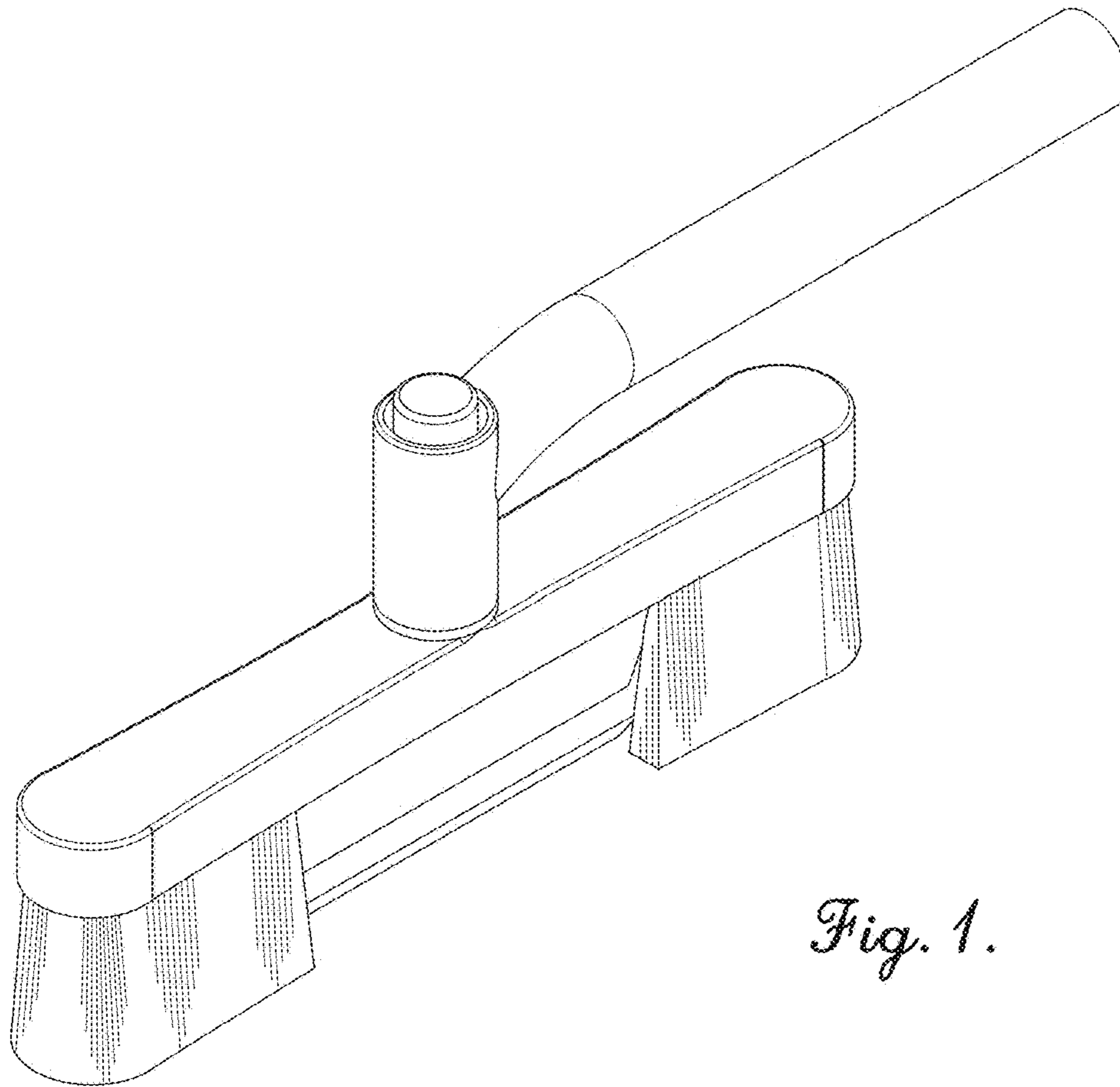
## U.S. PATENT DOCUMENTS

3,782,837 A \* 1/1974 Feldmann ..... A46B 7/02  
401/281  
D242,584 S \* 12/1976 Kaufman ..... D32/40  
D280,868 S \* 10/1985 Russell ..... D24/212  
D283,851 S \* 5/1986 Walko ..... D4/130  
D290,427 S \* 6/1987 Clivio ..... D4/115  
D373,024 S \* 8/1996 Shepherd ..... D4/132  
D453,075 S \* 1/2002 Liu ..... D32/42  
D480,219 S \* 10/2003 Mastroianni ..... D4/130  
D563,107 S \* 3/2008 Folden ..... D4/116  
D575,515 S \* 8/2008 Arend ..... D4/118  
D577,203 S \* 9/2008 Meyer ..... D4/129  
D597,315 S \* 8/2009 Hoffelner ..... D4/118  
D656,318 S \* 3/2012 Zoghbi ..... D4/104  
D720,903 S \* 1/2015 Colangelo ..... D32/40  
D751,822 S \* 3/2016 Zoghbi ..... D4/104  
2018/0042374 A1 \* 2/2018 Nudelman ..... A47L 13/02

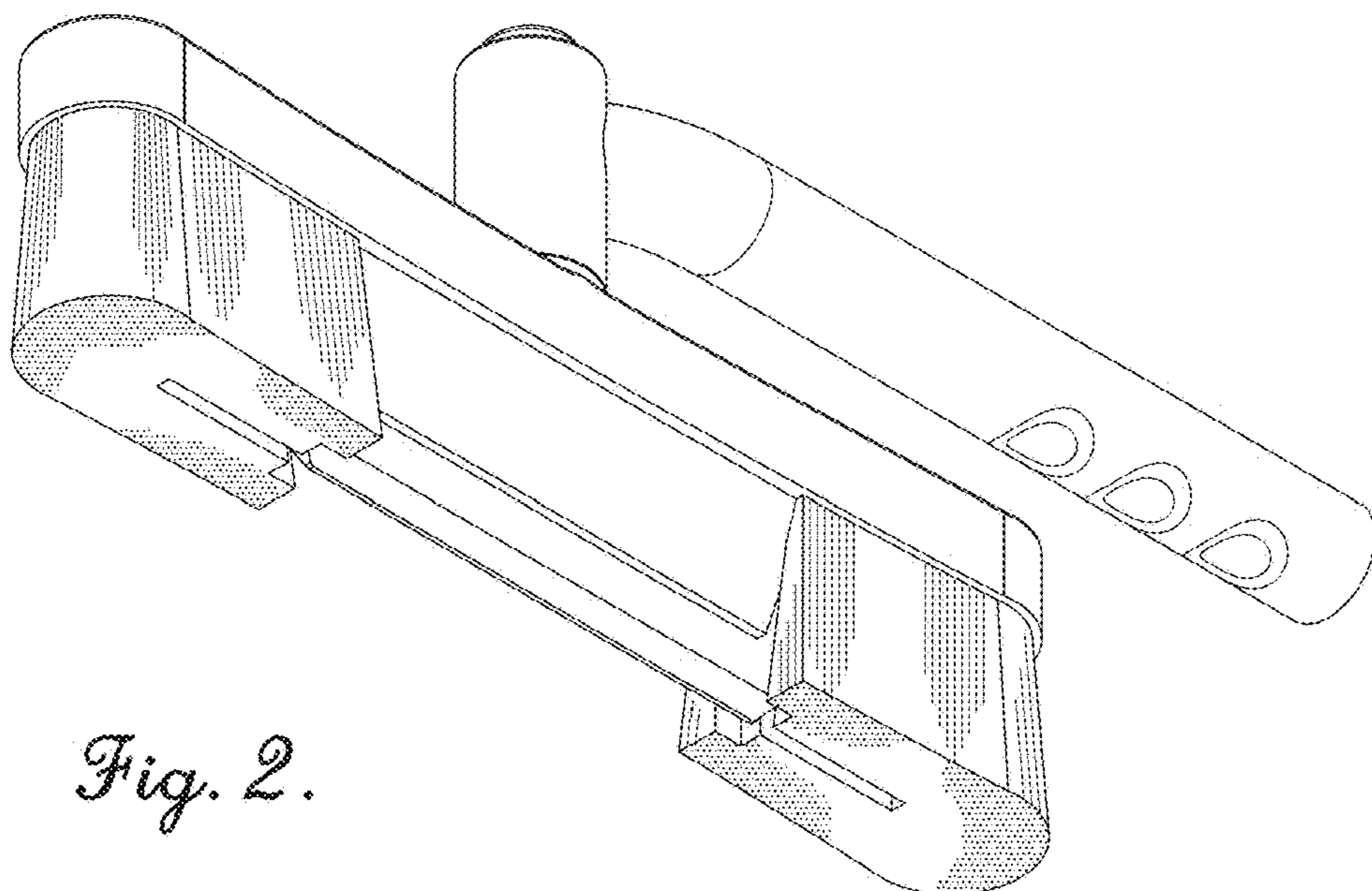
## OTHER PUBLICATIONS

Frugal Hotspot—Sale Snow Brush, announced Feb. 1, 2017 [online],  
[site visited Mar. 8, 2018]. Available from internet, URL: <<https://www.frugalhotspot.com/2017/02/polar-vortex-50-snow-brush/>>.\*  
Costco Chaser—Snow Brush, announced Nov. 9, 2016 [online],  
[site visited Mar. 8, 2018]. Available from internet, URL: <<http://www.cochaser.com/blog/hopkins-50-snow-brush-with-10-ice-scraped>>.\*

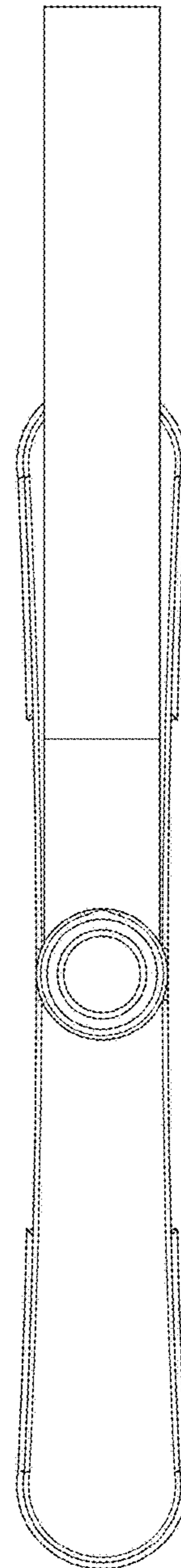
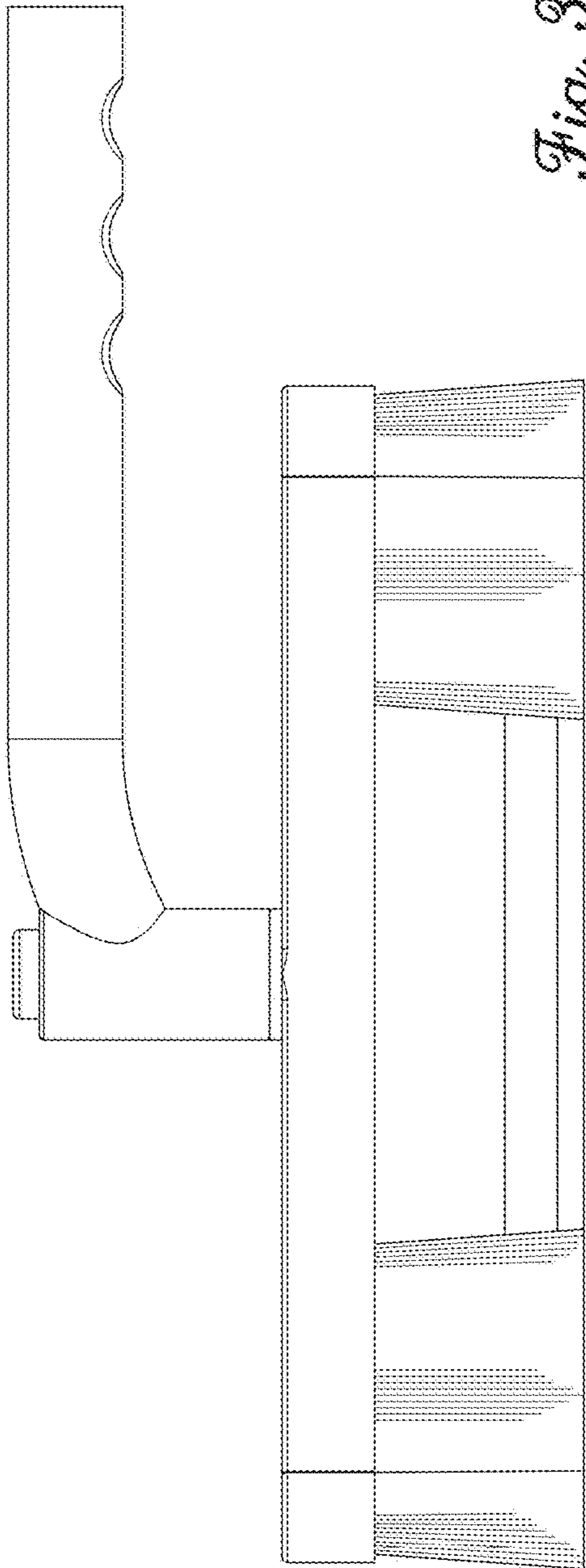
\* cited by examiner

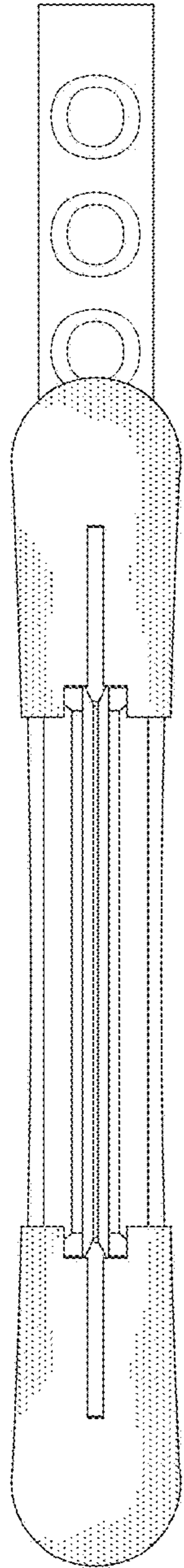


*Fig. 1.*

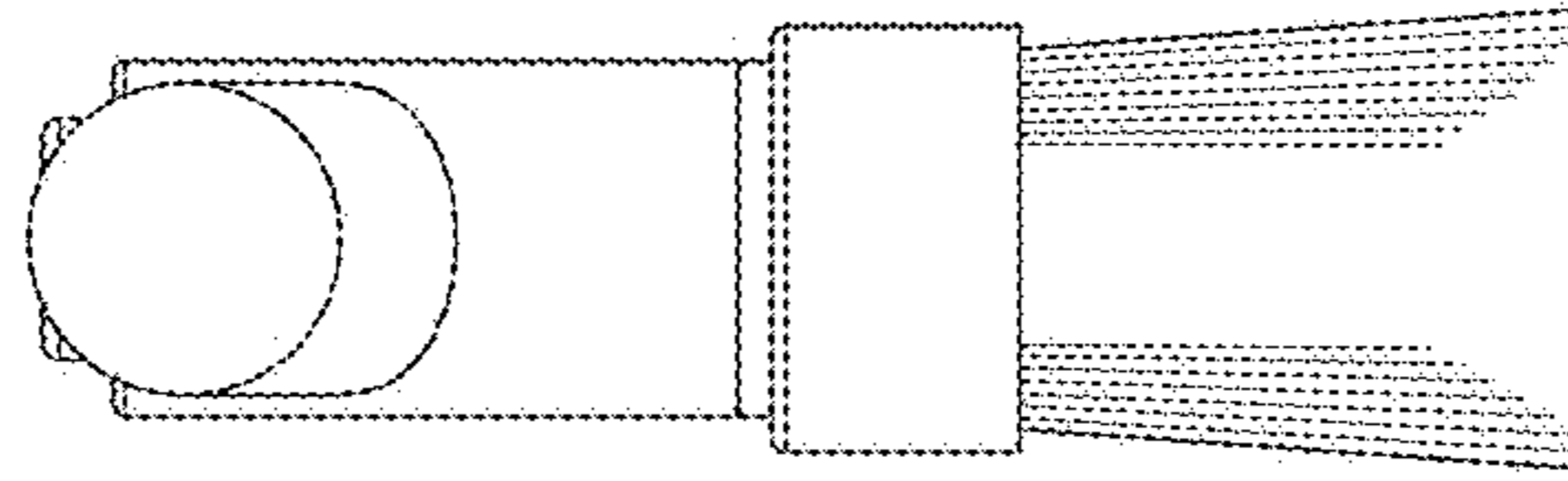


*Fig. 2.*

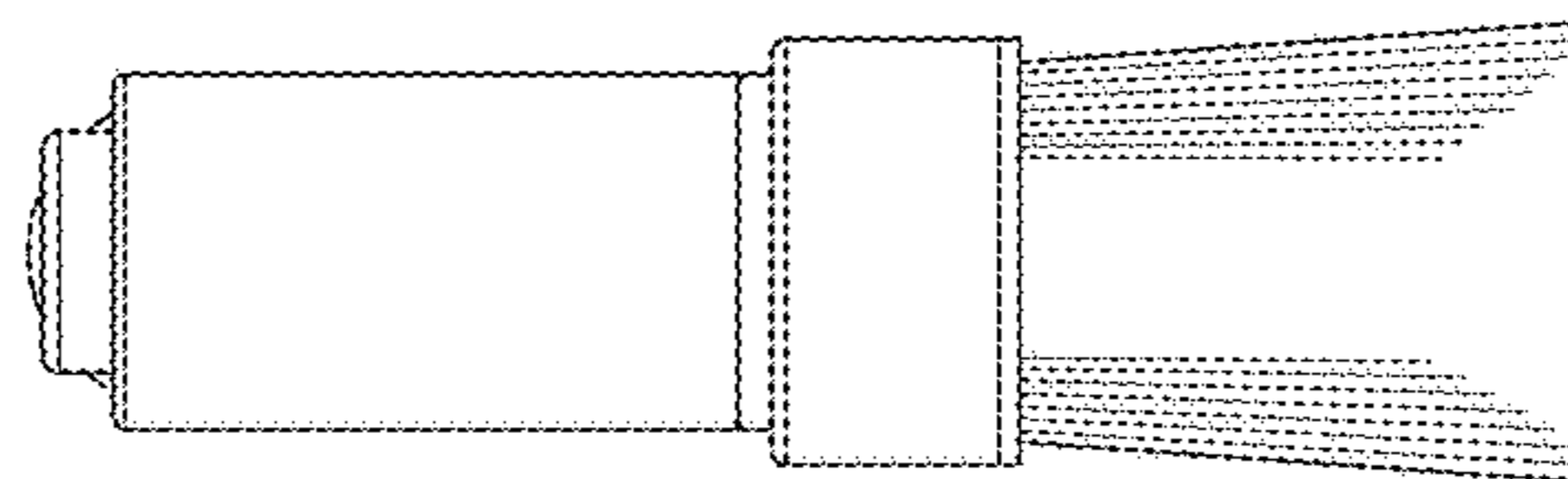




*Fig. 5.*



*Fig. 7.*



*Fig. 6.*