



US00D831357S

(12) **United States Design Patent** (10) **Patent No.:** **US D831,357 S**
Lin (45) **Date of Patent:** **** Oct. 23, 2018**

(54) **HAIR STRAIGHTENING APPARATUS**

(71) Applicant: **Dongguan Bidisco Electric CO., LTD.,**
Dongguan (CN)

(72) Inventor: **Qiongquan Lin,** Dongguan (CN)

(73) Assignee: **DONGGUAN BIDISCO ELECTRIC**
CO., LTD., Dongguan (CN)

(**) Term: **15 Years**

(21) Appl. No.: **29/614,508**

(22) Filed: **Aug. 21, 2017**

(30) **Foreign Application Priority Data**

May 26, 2017 (CN) 2017 3 0205323

(51) **LOC (11) Cl.** **04-02**

(52) **U.S. Cl.**
USPC **D4/100**

(58) **Field of Classification Search**

USPC D4/100, 108, 110, 11, 116, 117, 120,
D4/121, 127, 128, 132-136; D28/10, 13,
D28/15, 24, 25, 26, 28, 35, 38, 74
CPC A46B 3/00; A46B 3/22; A46B 5/00; A46B
5/0016; A46B 5/02; A46B 1/00; A46B
9/00; A46B 9/02; A46B 9/023; A46B
9/028; A46B 2200/00; A46B 2200/10;
A46B 15/00; A46B 15/0014; A46B
11/08; A45D 24/16

See application file for complete search history.

(56) **References Cited**

U.S. PATENT DOCUMENTS

D365,687 S * 1/1996 Gertsma D4/133
D439,747 S * 4/2001 Harris D4/136
D570,045 S * 5/2008 Julemont D28/35
D580,178 S * 11/2008 Bingaman D4/134
D634,126 S * 3/2011 Viola D4/116
D661,904 S * 6/2012 Jaobir D4/114

D672,500 S * 12/2012 Kim D28/35
D698,994 S * 2/2014 Xu D28/35
D705,483 S * 5/2014 Xu D28/35
D771,310 S * 11/2016 He D28/15
D795,595 S * 8/2017 Exley D4/121
D796,209 S * 9/2017 Hu D28/25
D796,210 S * 9/2017 Hu D28/25
D804,188 S * 12/2017 Du D4/100
D815,837 S * 4/2018 Zhou D4/100
D816,343 S * 5/2018 Tai D4/100
D817,007 S * 5/2018 Guy-Rabi D4/136
D819,336 S * 6/2018 Zhou D4/100
2016/0227898 A1* 8/2016 Wu A45D 2/002
2018/0125223 A1* 5/2018 Exley A46B 15/003

FOREIGN PATENT DOCUMENTS

WO WO-2015169383 A1 * 11/2015 A45D 1/04

* cited by examiner

Primary Examiner — Wan Laymon

Assistant Examiner — Clint A Samuel

(74) *Attorney, Agent, or Firm* — Hemisphere Law, PLLC;
Zhigang Ma

(57) **CLAIM**

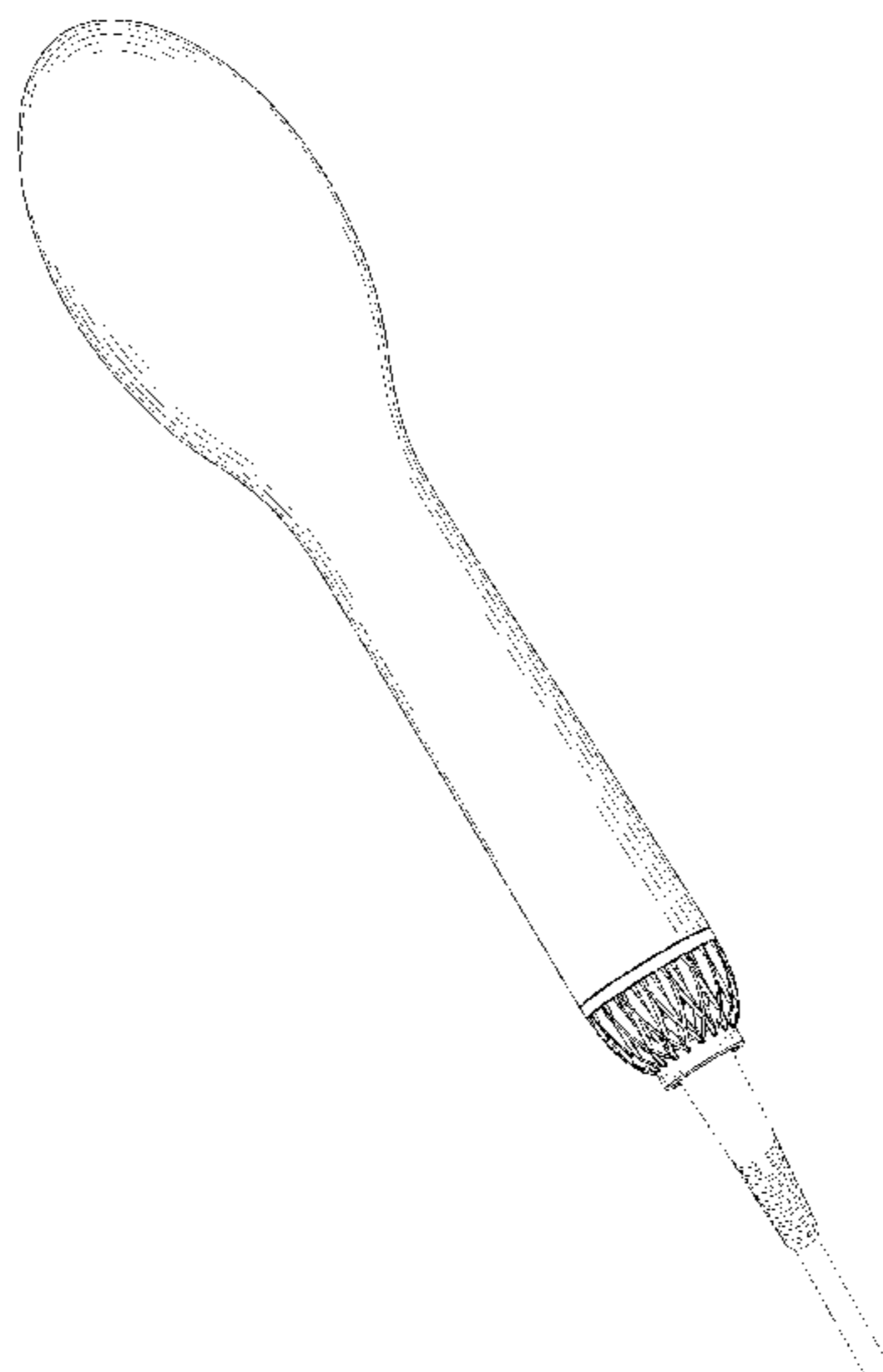
The ornamental design for a hair straightening apparatus, as shown and described.

DESCRIPTION

FIG. 1 is a perspective view of a hair straightening apparatus, showing my new design;
FIG. 2 is a front view thereof;
FIG. 3 is a rear view thereof;
FIG. 4 is a left side view thereof;
FIG. 5 is a right side view thereof;
FIG. 6 is a top plan view thereof; and,
FIG. 7 is a bottom plan view thereof.

The broken line shown are included for the purpose of illustrating portions of the hair straightening apparatus which form no part of the claimed design.

1 Claim, 6 Drawing Sheets



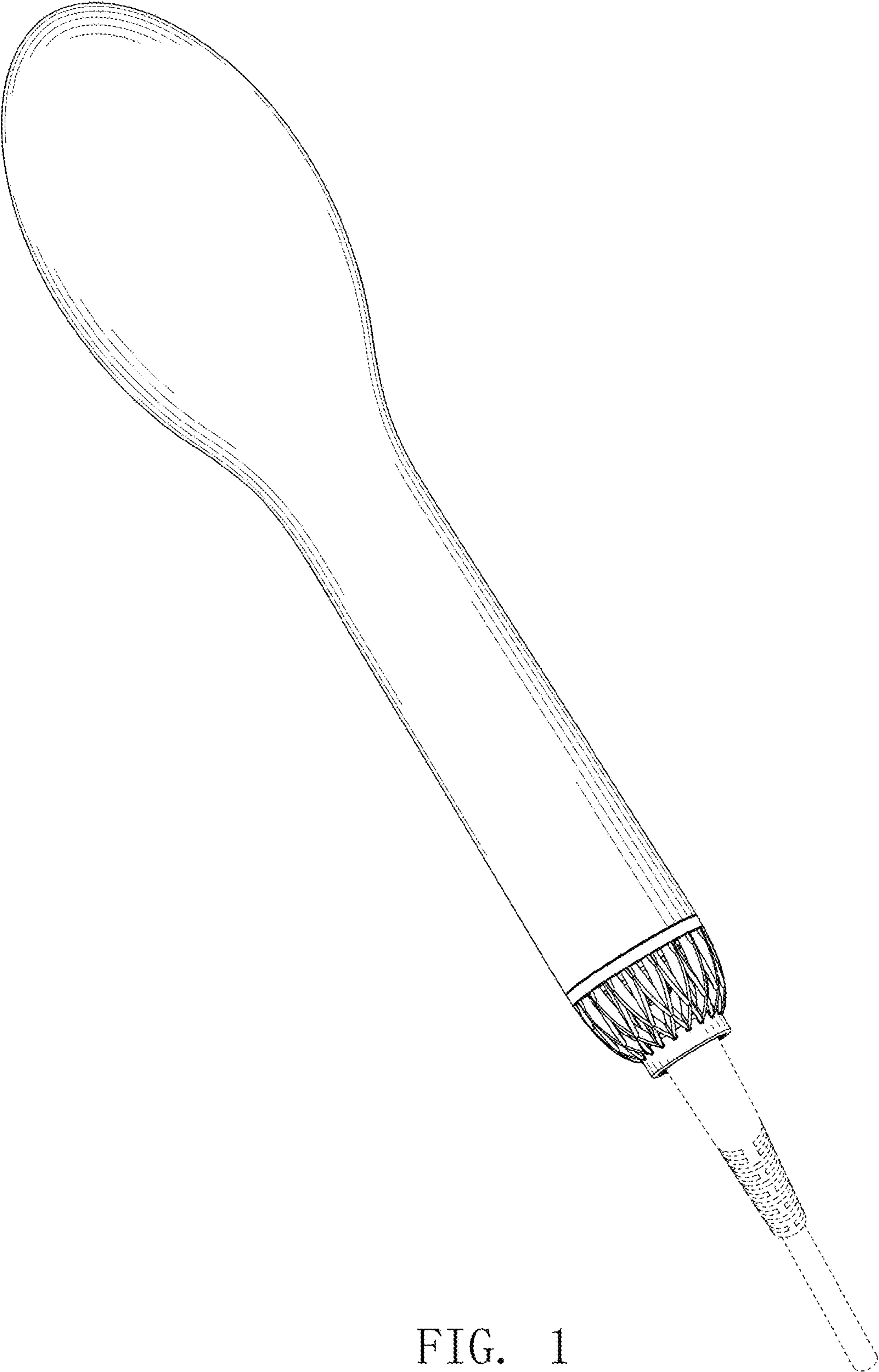


FIG. 1

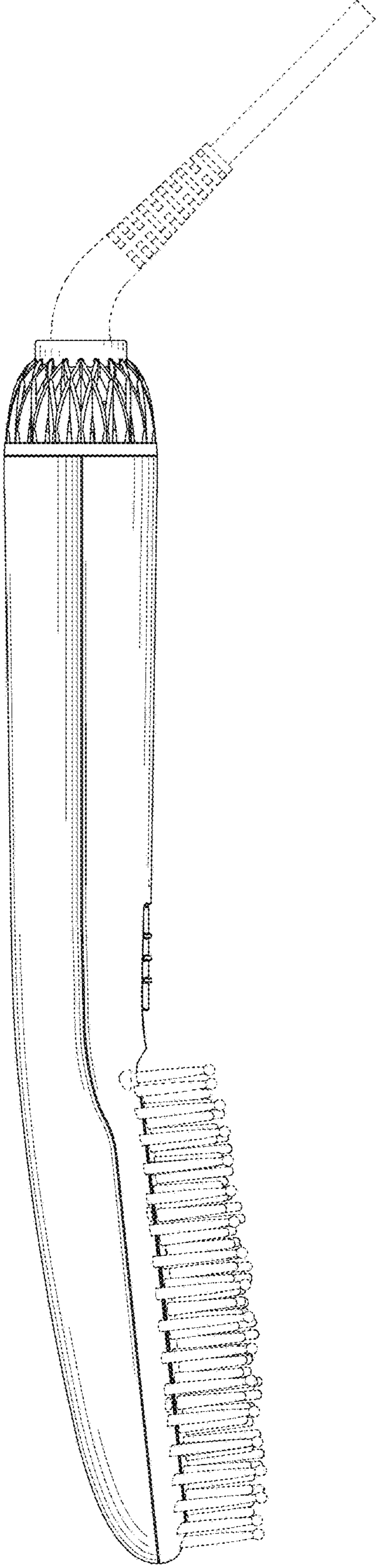


FIG. 2

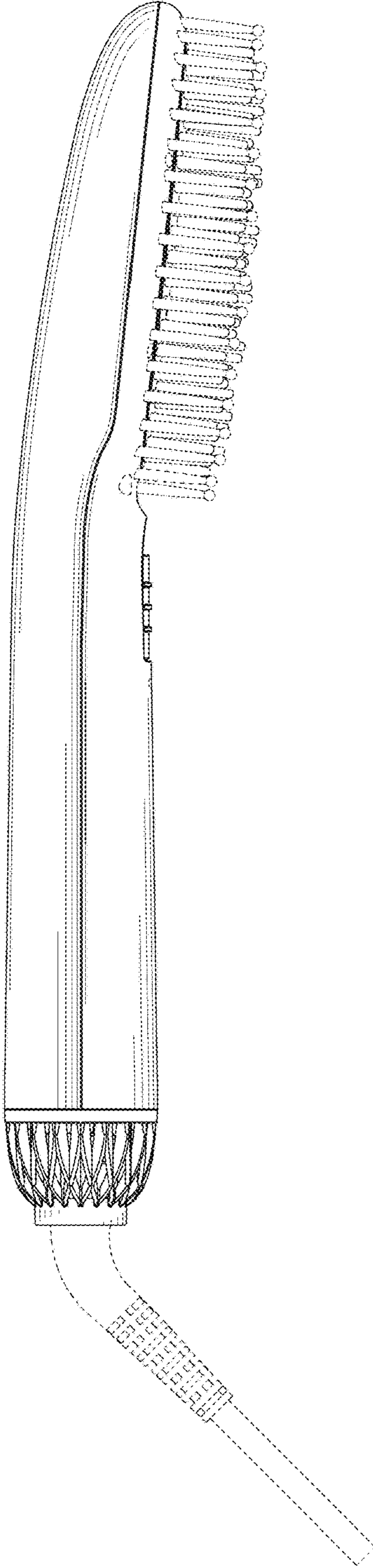


FIG. 3

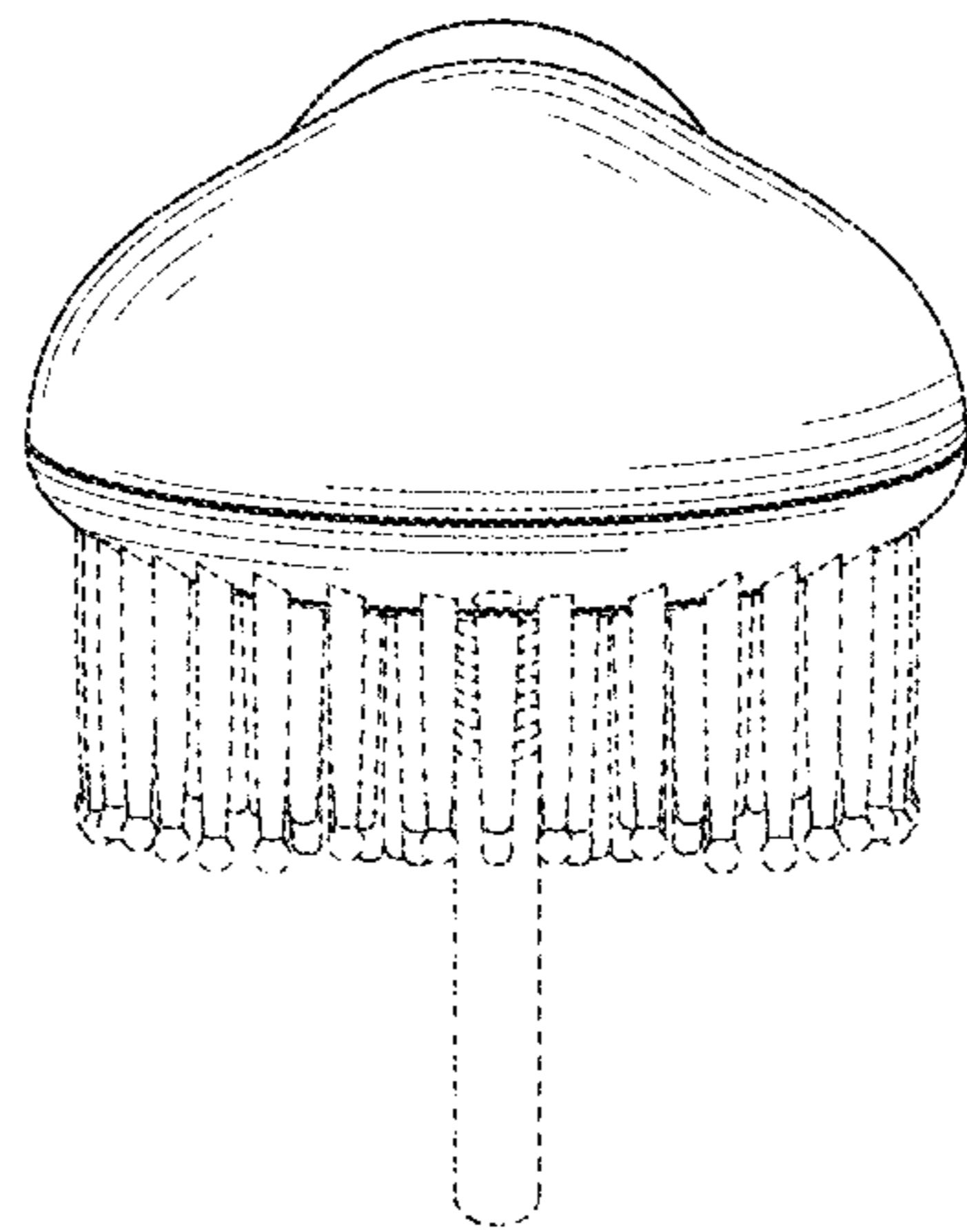


FIG. 4

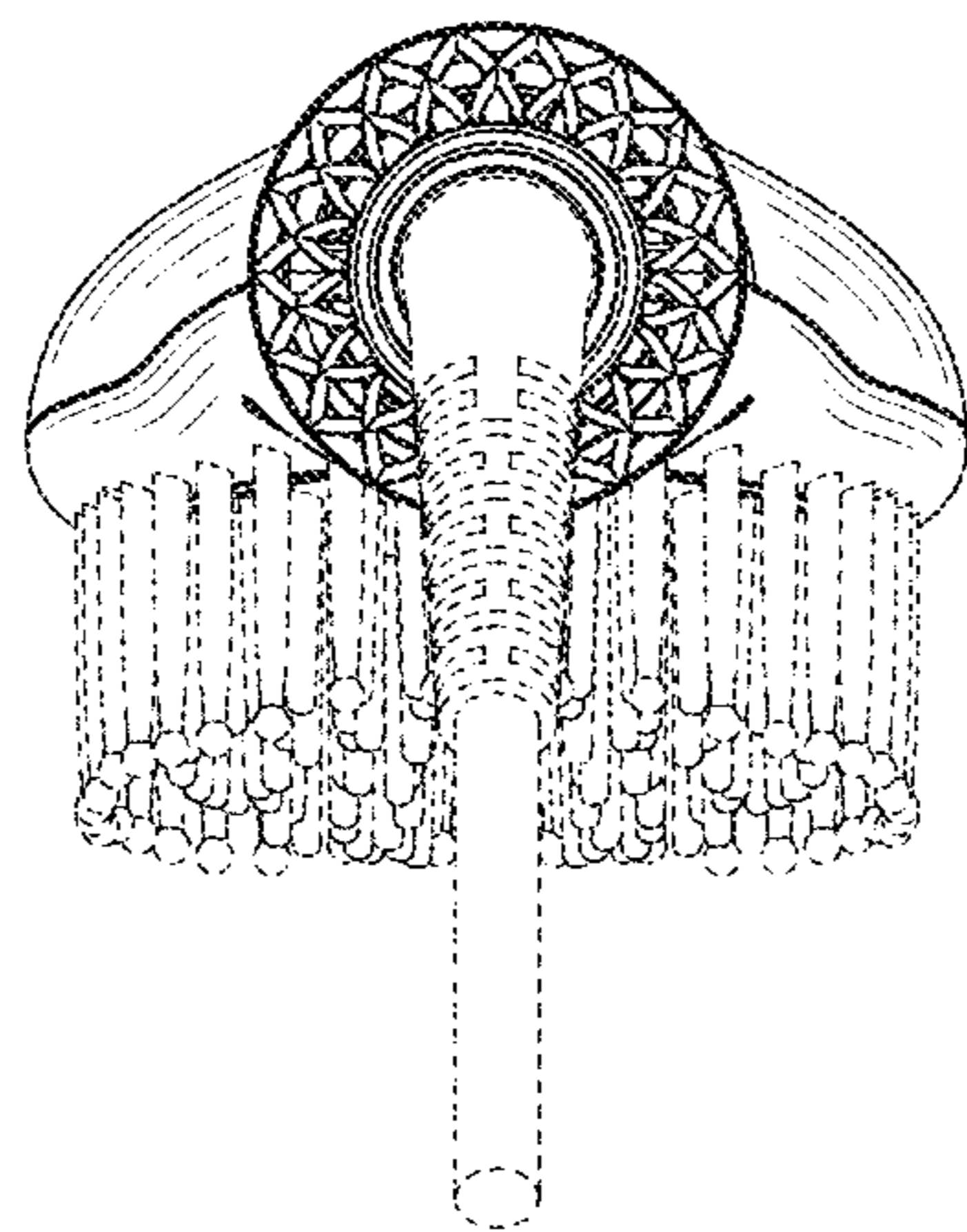


FIG. 5

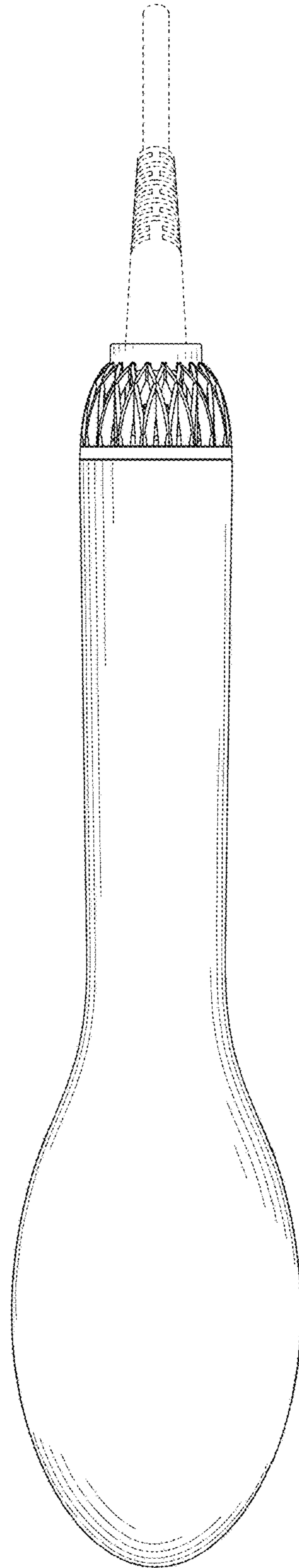


FIG. 6

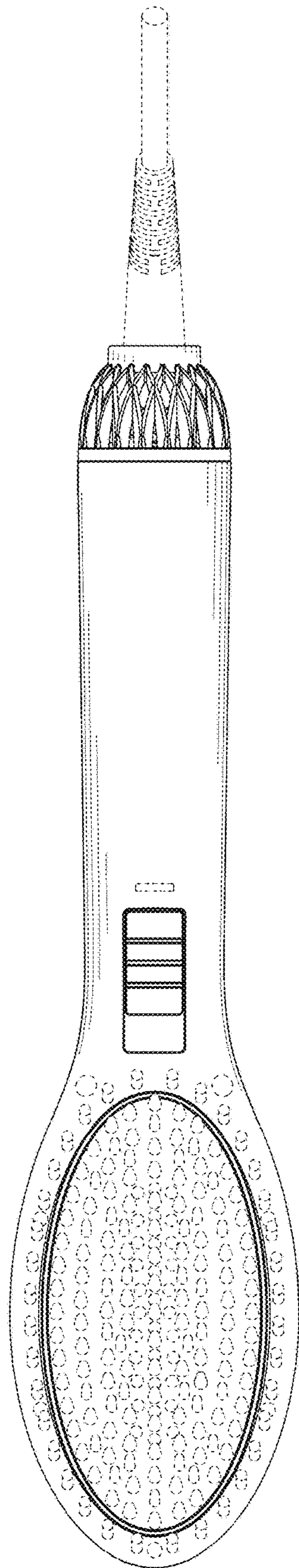


FIG. 7