



US00D831353S

(12) **United States Design Patent** (10) **Patent No.:** **US D831,353 S**  
**Aderinto** (45) **Date of Patent:** **\*\* Oct. 23, 2018**

(54) **BOW AND RIBBON HOLDER**  
(71) Applicant: **Earnestine Aderinto**, Stone Mountain, GA (US)  
(72) Inventor: **Earnestine Aderinto**, Stone Mountain, GA (US)

D577,196 S \* 9/2008 Hayden ..... D3/286  
D693,125 S \* 11/2013 Bell ..... D3/304  
D700,776 S \* 3/2014 Citro ..... D3/271.1  
8,789,541 B1 \* 7/2014 Evans ..... A45C 5/005  
132/294  
D758,666 S \* 6/2016 Carrillo ..... D28/73  
D773,185 S \* 12/2016 Beilman ..... D3/283  
2015/0114852 A1 \* 4/2015 Torline ..... A47F 7/03  
206/6.1

(\*\*) Term: **15 Years**

\* cited by examiner

(21) Appl. No.: **29/594,261**

*Primary Examiner* — Jennifer Rivard

(22) Filed: **Feb. 16, 2017**

*Assistant Examiner* — April Rivas

(51) **LOC (11) Cl.** ..... **03-01**

(52) **U.S. Cl.**

(57) **CLAIM**

USPC ..... **D3/284**; D3/903

(58) **Field of Classification Search**

I claim the ornamental design for a bow and ribbon holder, as shown and described.

USPC ..... D3/203.1, 215, 217, 226, 233, 232, 273, D3/274, 276, 283, 285, 289, 304, 305, D3/902

**DESCRIPTION**

CPC ..... B65D 21/084; A45C 7/009; A45C 7/0036; A45C 7/0081; A45C 2003/008; A45C 3/00; A45C 5/005

See application file for complete search history.

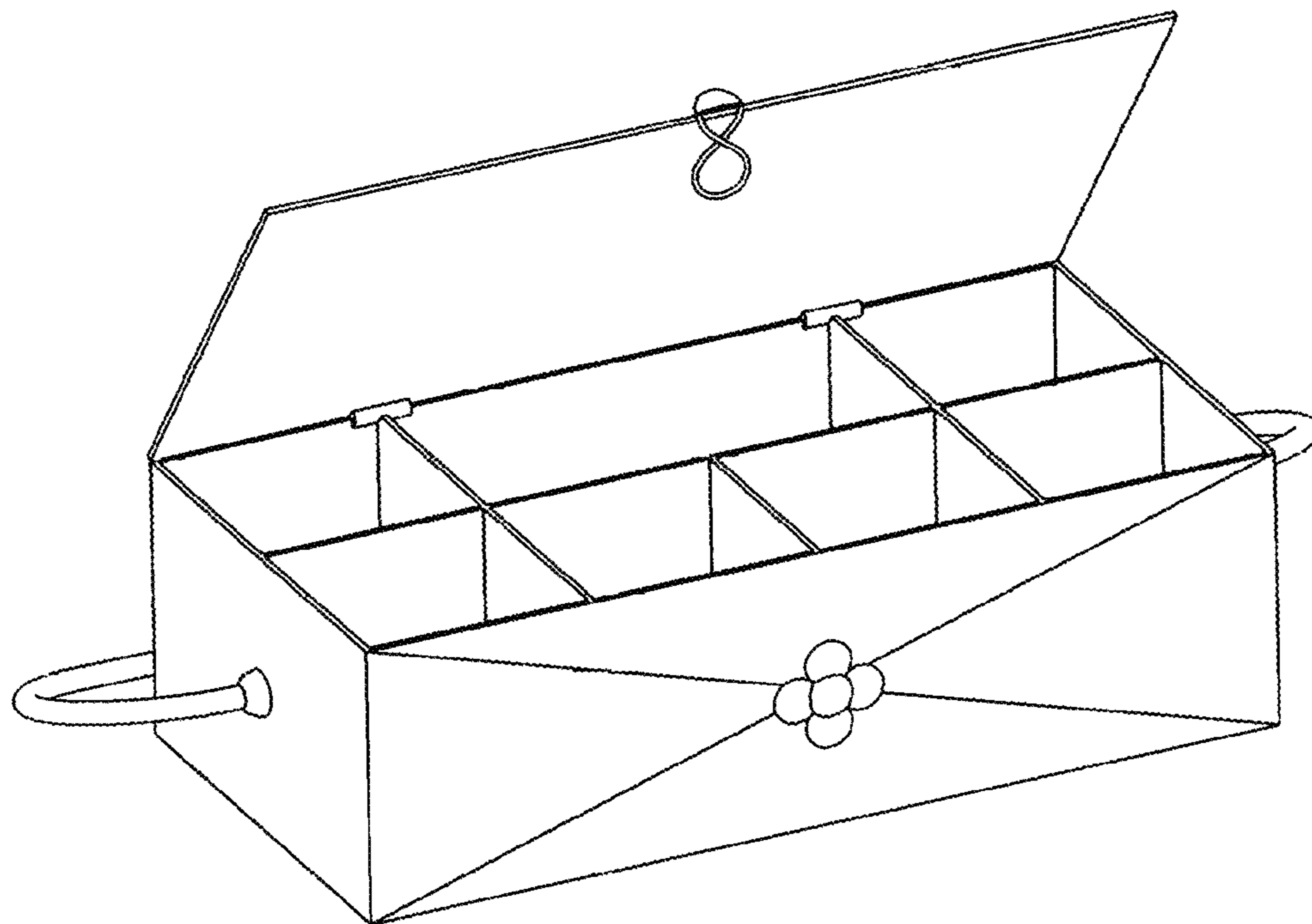
FIG. 1 is a front perspective view of the bow and ribbon holder in an open configuration;  
FIG. 2 is a front perspective view of the bow and ribbon holder of FIG. 1 in a closed position;  
FIG. 3 is the top view of the holder in FIG. 2,  
FIG. 4 is the front view of the holder in FIG. 2;  
FIG. 5 is the bottom view of holder in FIG. 2;  
FIG. 6 is the left side elevation view of the holder shown in FIG. 2;  
FIG. 7 is the rear view of the holder shown in FIG. 2; and,  
FIG. 8 is the right side elevation view of the holder shown in FIG. 2.

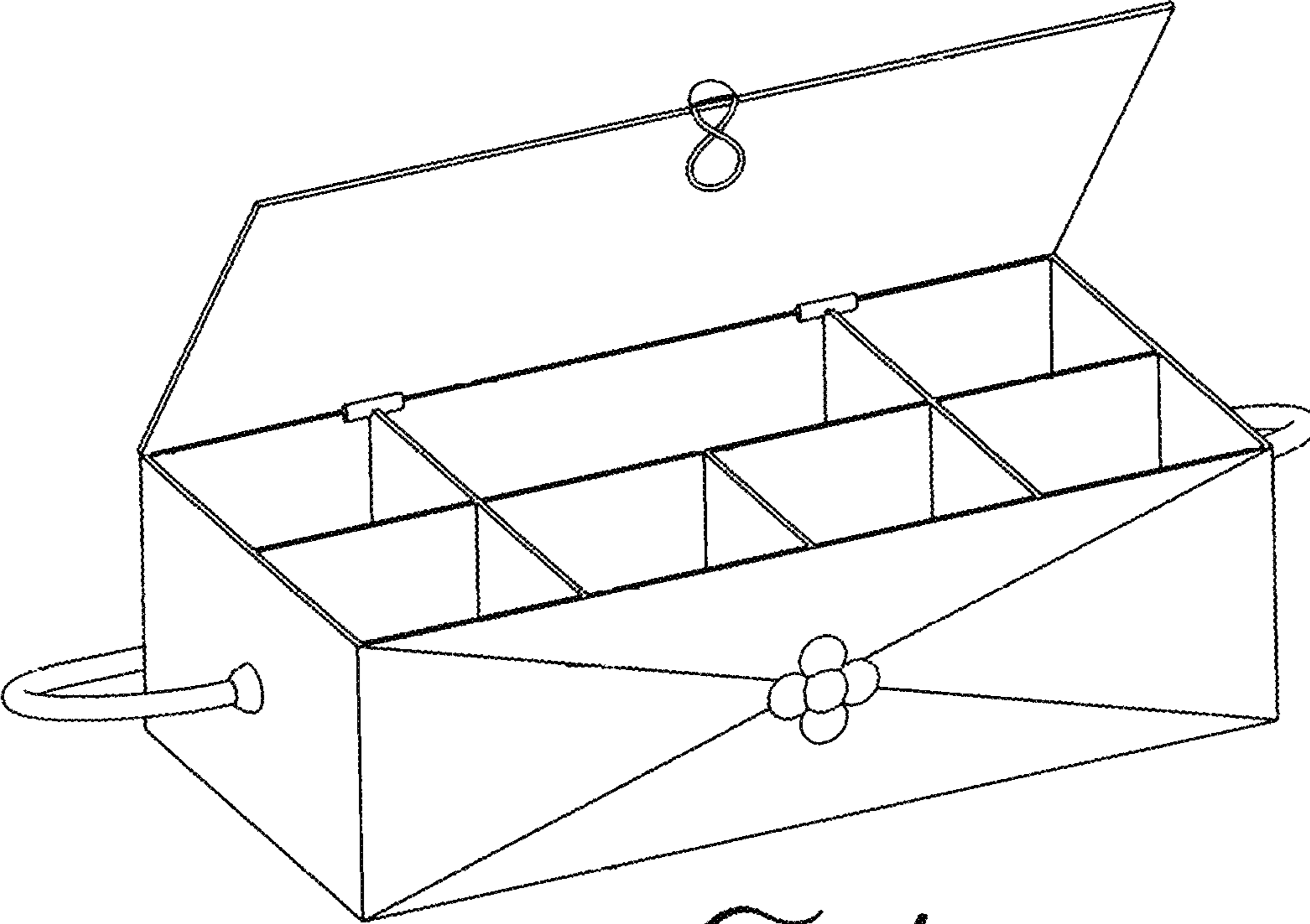
(56) **References Cited**

**U.S. PATENT DOCUMENTS**

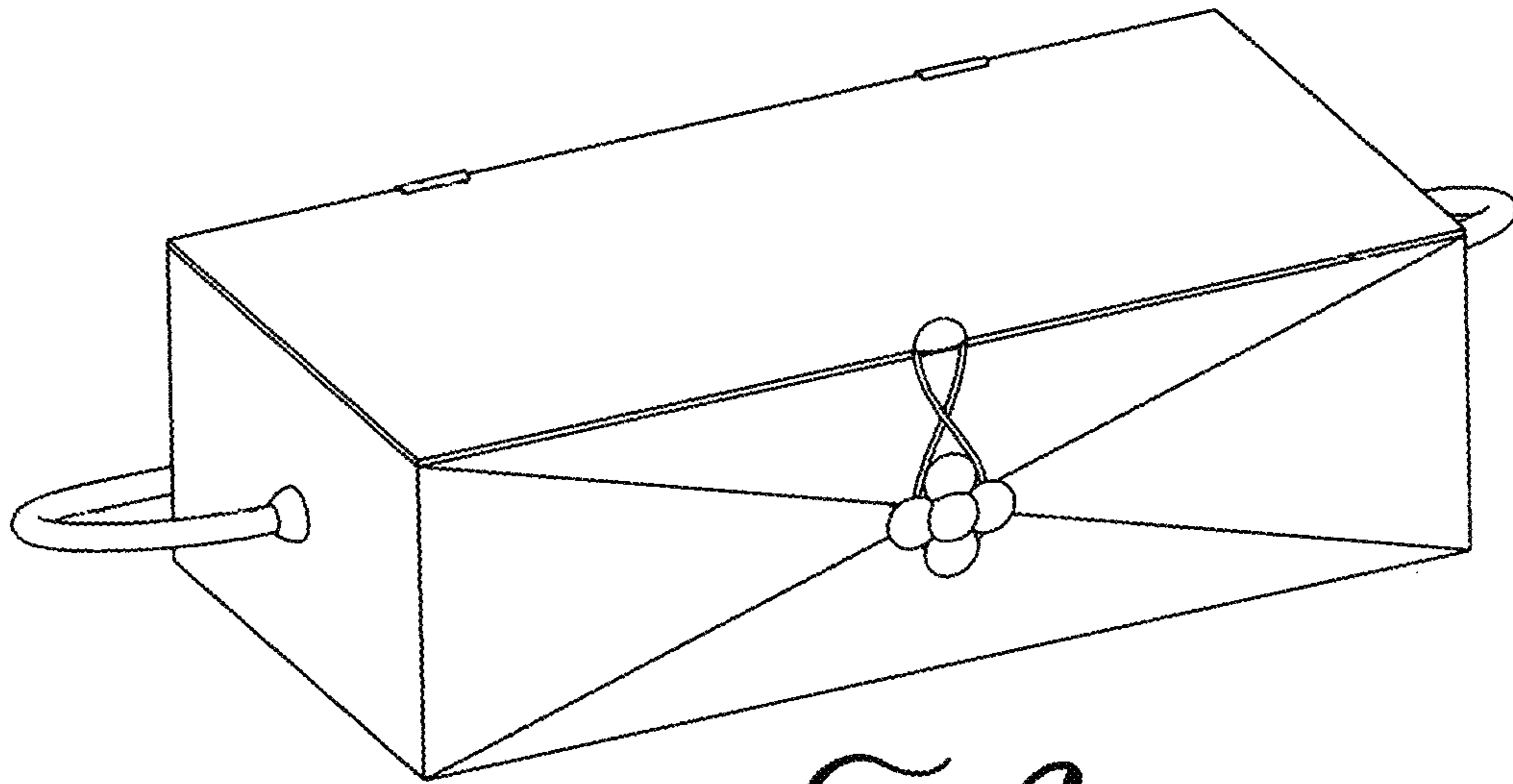
D265,346 S \* 7/1982 Maier ..... D24/230  
6,202,851 B1 \* 3/2001 Walker ..... A45C 5/005  
206/579  
D454,412 S \* 3/2002 Riley ..... D28/41  
D467,428 S \* 12/2002 Wolf ..... D3/276  
D485,682 S \* 1/2004 Wolf ..... D3/291  
D510,189 S \* 10/2005 Greiner ..... D3/284

**1 Claim, 4 Drawing Sheets**

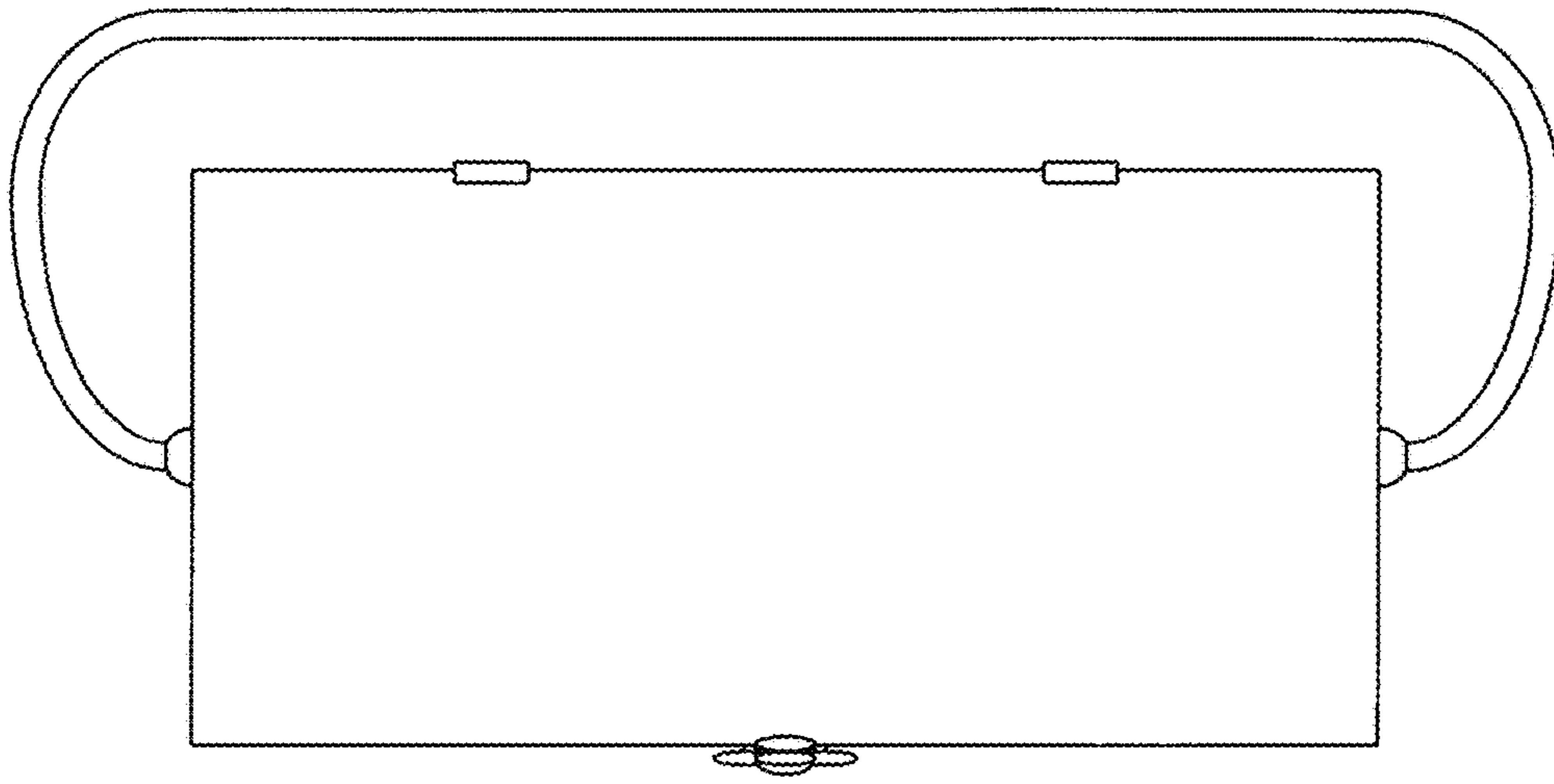




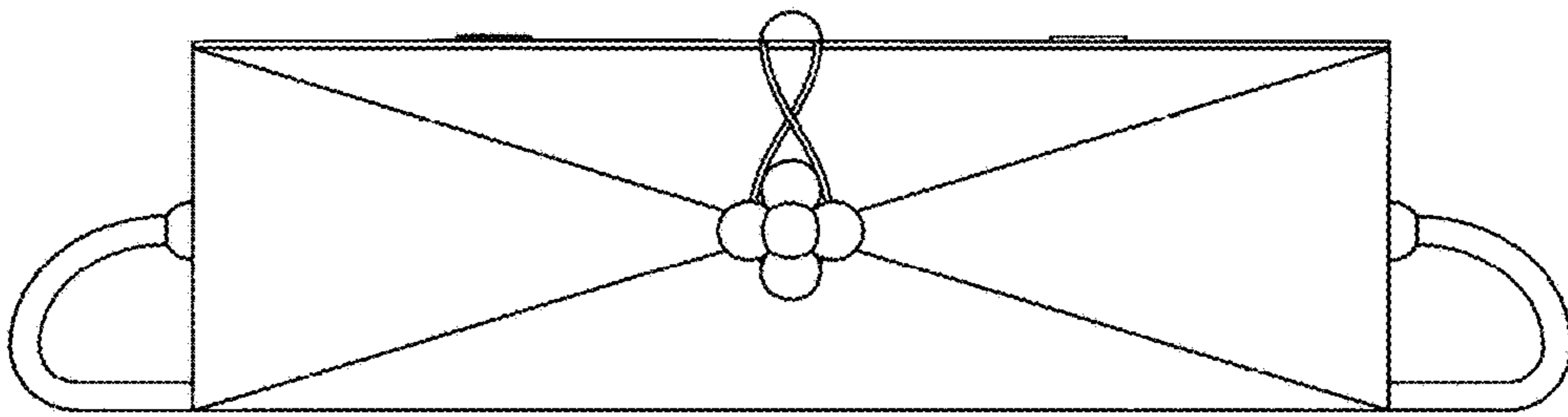
*FIG. 1*



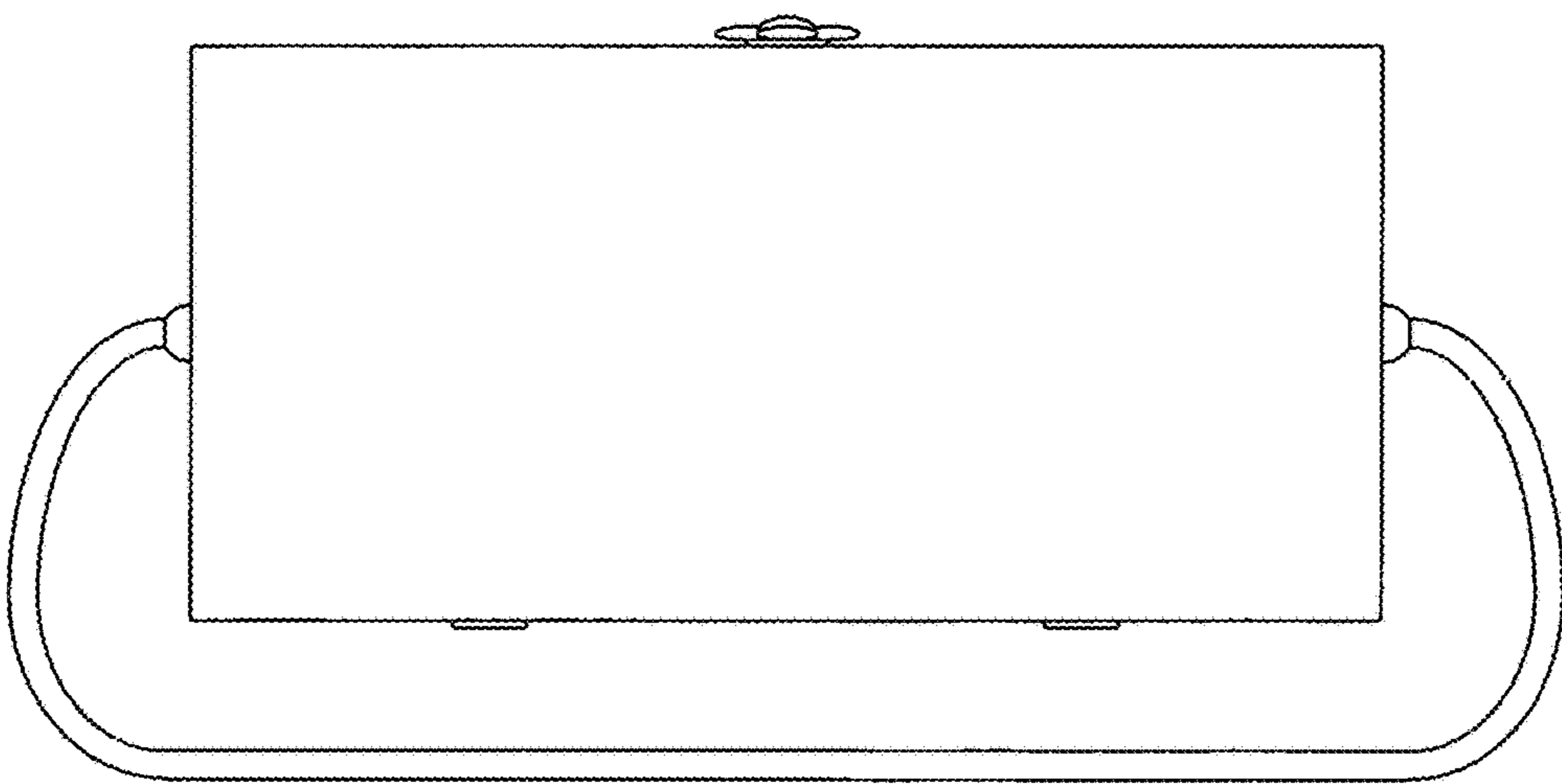
*FIG. 2*



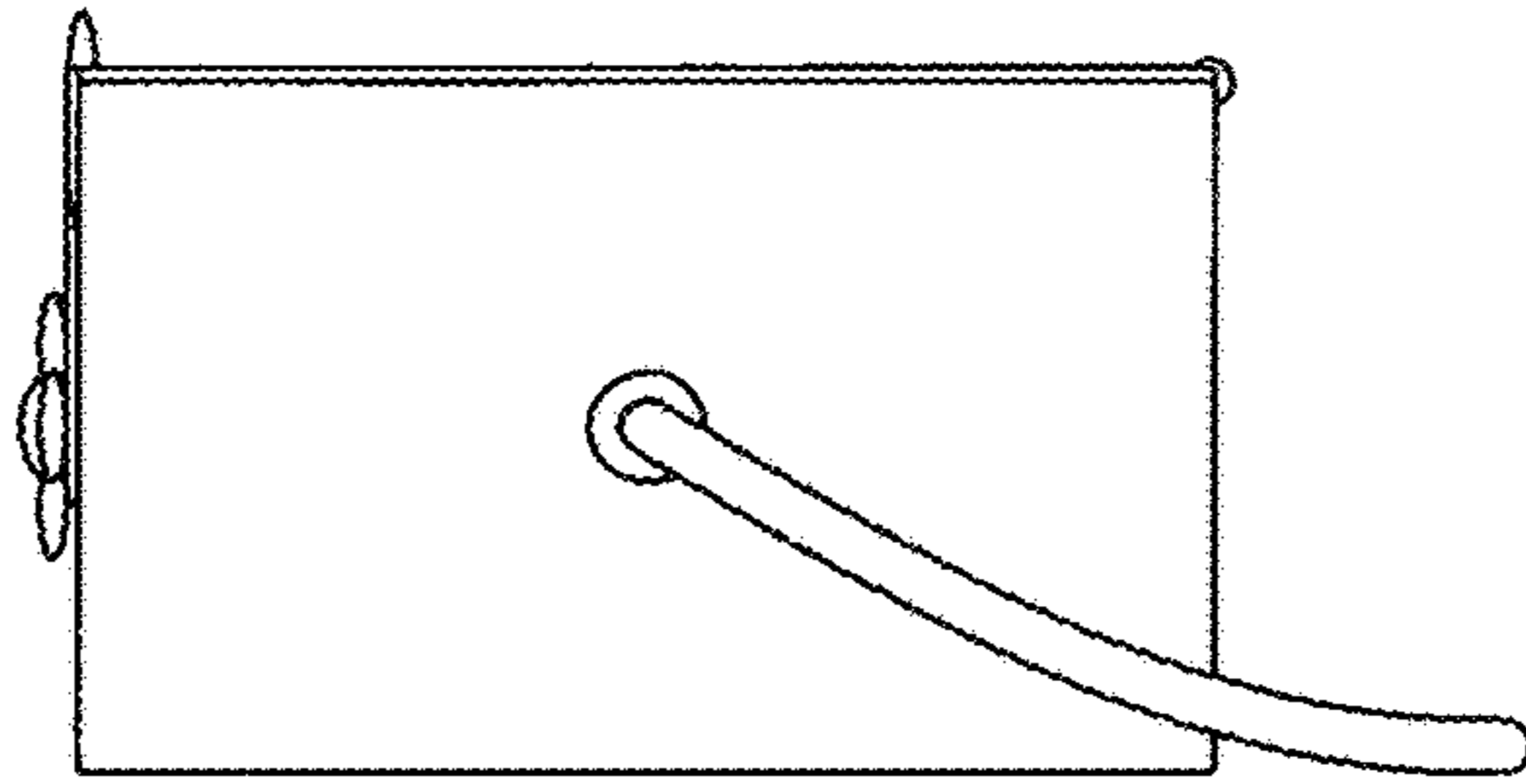
*FIG. 3*



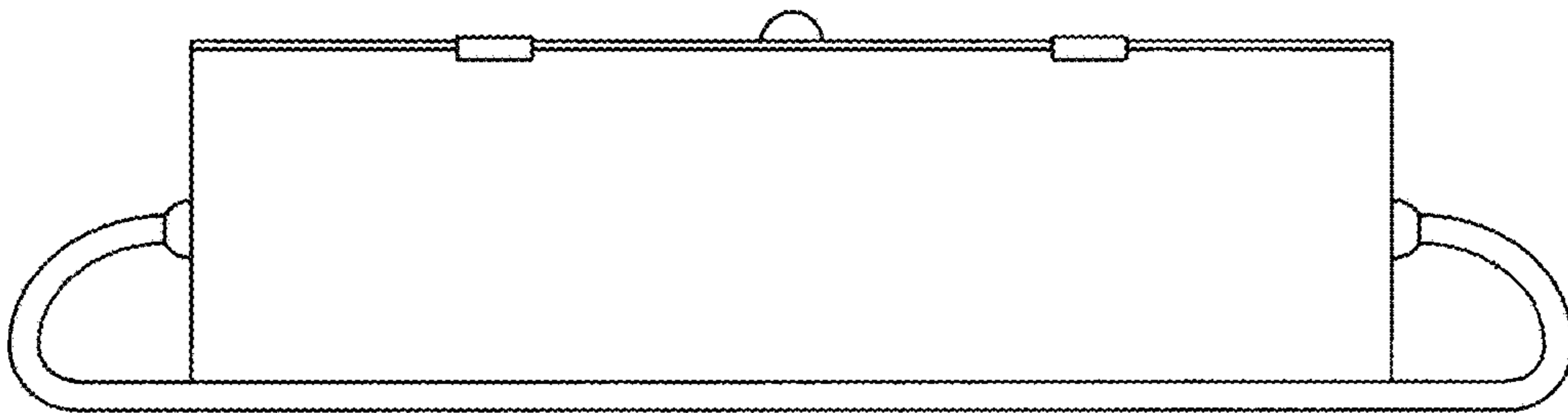
*FIG. 4*



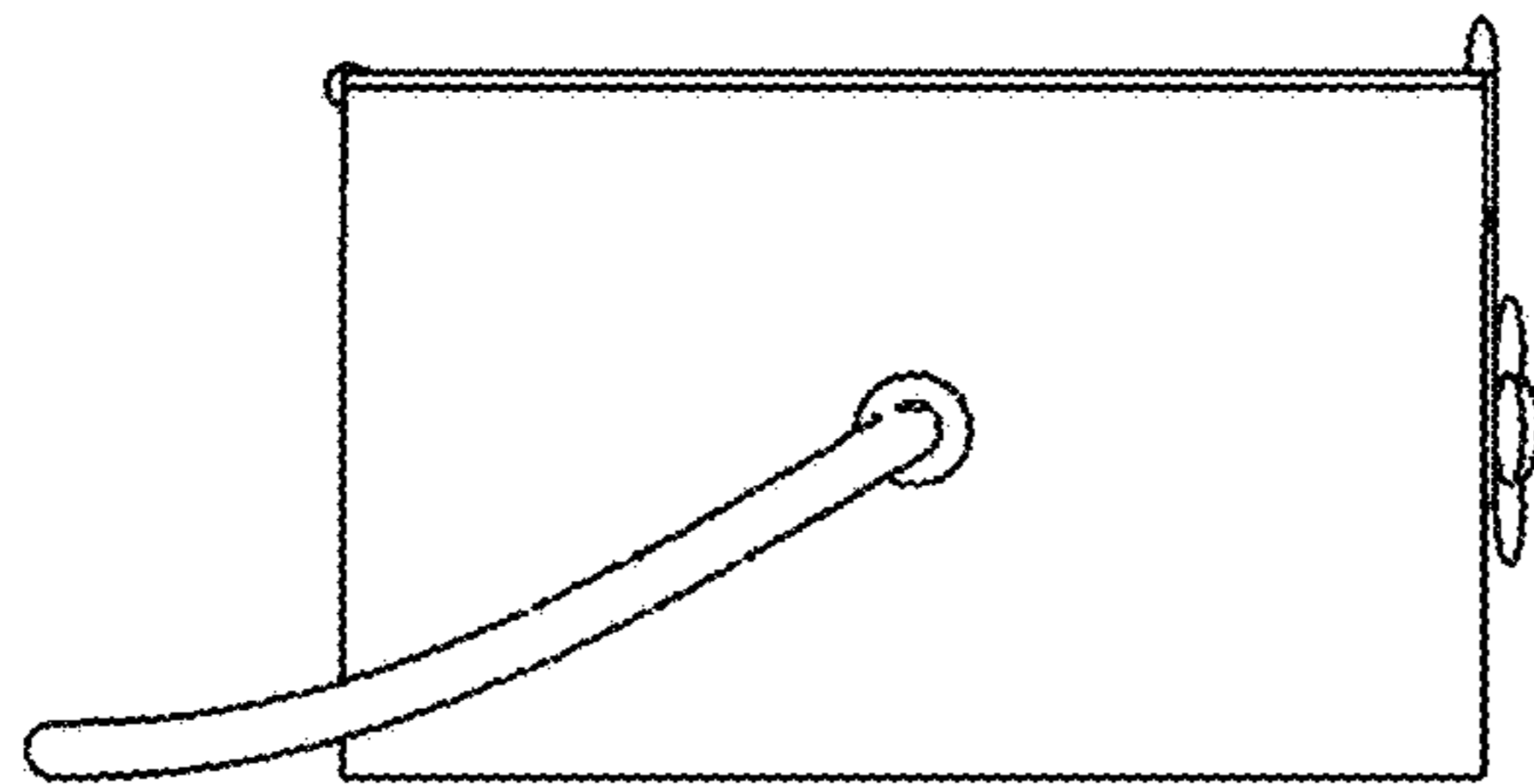
*FIG. 5*



*FIG. 6*



*FIG. 7*



*FIG. 8*