



US00D831351S

(12) **United States Design Patent** (10) **Patent No.:** **US D831,351 S**
Lee (45) **Date of Patent:** **** Oct. 23, 2018**

(54) **BOOK-SHAPED JEWELRY BOX**

(71) Applicant: **Kikkerland Design, Inc.**, New York, NY (US)

(72) Inventor: **Jaeyu Lee**, New York, NY (US)

(73) Assignee: **Kikkerland Design, Inc.**, New York, NY (US)

(**) Term: **15 Years**

(21) Appl. No.: **29/589,471**

(22) Filed: **Dec. 30, 2016**

(51) **LOC (11) Cl.** **03-01**

(52) **U.S. Cl.**

USPC **D3/271.5**

(58) **Field of Classification Search**

USPC D3/201, 903, 270, 271.1, 271.5; D9/414, D9/420, 423, 430, 432; D11/131, 133, D11/157, 154; 206/472, 473

CPC A45C 11/16; B65D 77/006; A47F 7/02; A47F 7/03

See application file for complete search history.

(56) **References Cited**

U.S. PATENT DOCUMENTS

D28,308 S *	2/1898	Foutch	D19/95
1,646,632 A *	10/1927	Spinner	A24F 15/02
				132/315
1,709,685 A *	4/1929	Rothrock	B65D 77/006
				206/472
1,738,333 A *	12/1929	Szymanski	A45C 11/16
				206/457
1,756,135 A *	4/1930	Ruskin	B65D 15/24
				217/5
1,960,073 A *	5/1934	Warner	A45C 11/16
				206/303

(Continued)

OTHER PUBLICATIONS

Jewelry Box of Treasures (via swiss miss), available Oct. 3, 2016, [online], [site visited Sep. 7, 2017]. Available from internet, <URL: <http://www.swiss-miss.com/2016/10/jewelry-box-of-treasures.html>>.*

(Continued)

Primary Examiner — Cathron C Brooks

Assistant Examiner — W. A. Teddy Falloway

(74) *Attorney, Agent, or Firm* — Charles H Jew

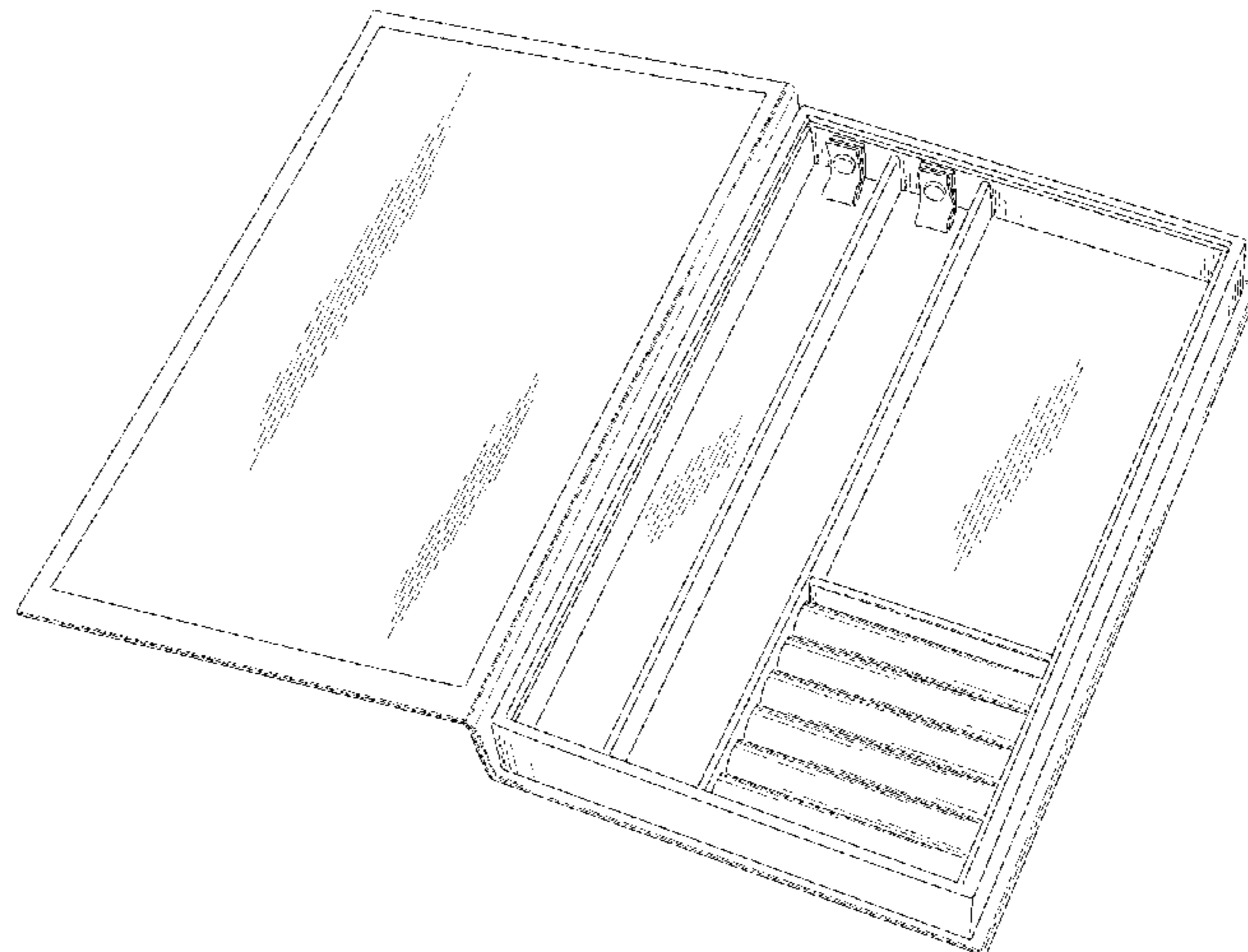
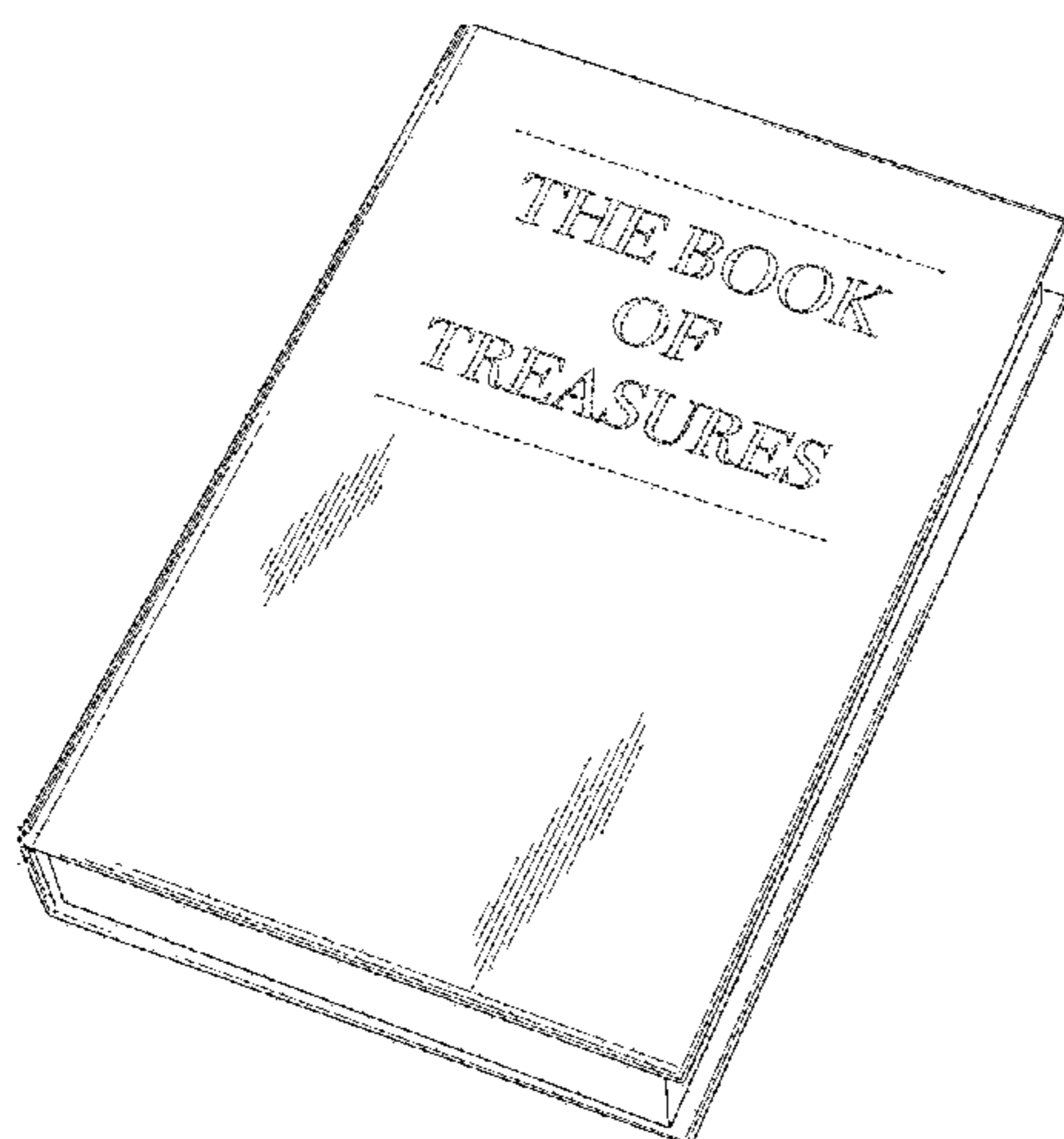
(57) **CLAIM**

The ornamental design for a book-shaped jewelry box, as shown and described.

DESCRIPTION

FIG. 1 is a left side elevational view of the book-shaped jewelry box showing my novel design; FIG. 2 is a right side elevational view thereof; FIG. 3 is a top plan view thereof; FIG. 4 is a bottom plan view thereof; FIG. 5 is a front elevational view thereof; FIG. 6 is a rear elevational view thereof; FIG. 7 is a front perspective thereof; FIG. 8 is a left side elevational view of the book-shaped jewelry box in an open position; FIG. 9 is a right side elevational view thereof in an open position; FIG. 10 is a top plan view thereof in an open position; FIG. 11 is a bottom plan view thereof in an open position; FIG. 12 is a front elevational view thereof in an open position; FIG. 13 is a rear elevational view thereof in an open position; and, FIG. 14 is a front perspective thereof in an open position. The broken lines shown in FIGS. 1, 5, 7 and 12 illustrate portions of the book-shaped jewelry box that form no part of the claimed design.

1 Claim, 6 Drawing Sheets



(56)

References Cited

U.S. PATENT DOCUMENTS

2,341,600 A * 2/1944 Daniel G11B 33/04
206/389
2,587,559 A * 2/1952 Wetherbee B65D 77/006
206/553
D303,764 S * 10/1989 Kilmartin, III D3/295
D304,008 S * 10/1989 Hornung D3/271.5
D361,429 S * 8/1995 Mohundro D3/270
D386,677 S * 11/1997 Abiteboul D19/26
5,692,605 A * 12/1997 Lai A45C 11/16
206/566
D429,761 S * 8/2000 Ward D19/26
D520,755 S * 5/2006 Sakaguchi D6/300
D609,696 S * 2/2010 Martinez D14/207
D674,437 S * 1/2013 Siegel D19/26
D693,122 S * 11/2013 Saydar D3/294
D731,184 S * 6/2015 Saydar D3/294
D736,517 S * 8/2015 Lee D3/202
2003/0066765 A1 * 4/2003 Ovadia A47F 7/03
206/6.1
2015/0113846 A1 * 4/2015 Nicholson A47G 1/0616
40/723

OTHER PUBLICATIONS

Big Jewelry Book (via kikkerland), available Sep. 7, 2017, [online], [site visited Sep. 7, 2017]. Available from internet, <URL: <https://kikkerland.com/collections/new/products/big-jewelry-book>>.*

Wedding Ring Book Box, available Mar. 25, 2014, [online], [site visited Sep. 7, 2017]. Available from internet, <URL: <http://myweddingreceptionideas.com/a-promise-made-vintage-inspired-ring-book-box.asp>>.*

* cited by examiner

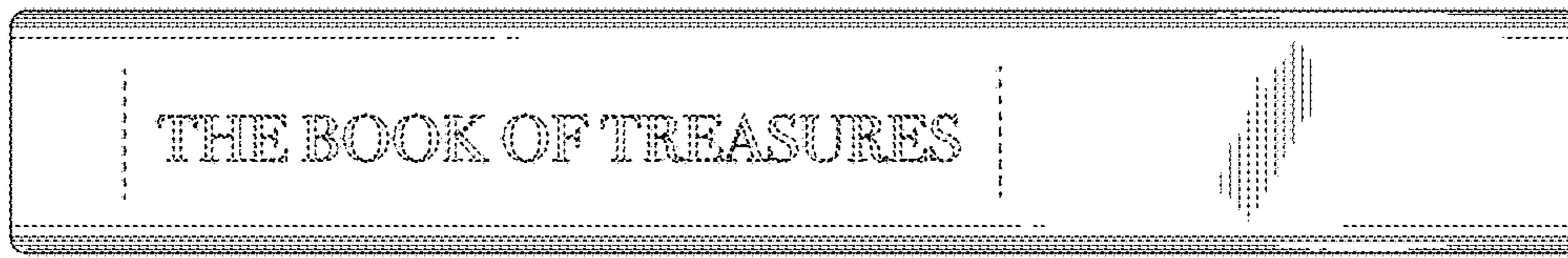


FIG. 1

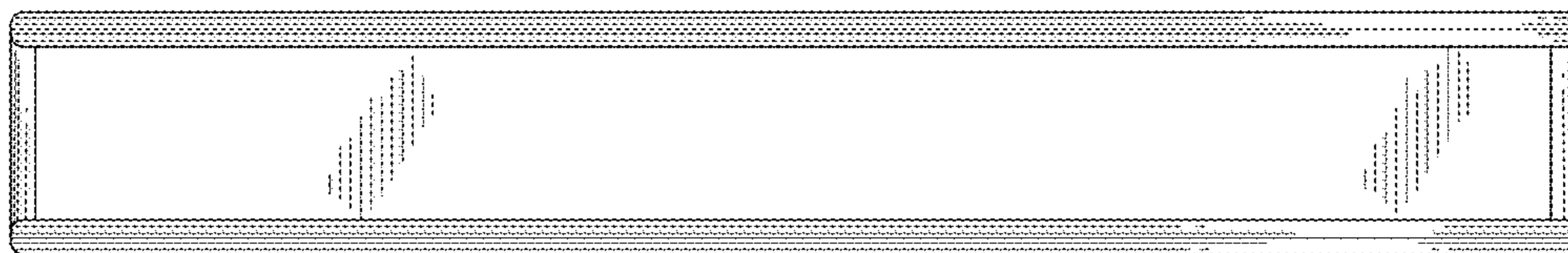


FIG. 2

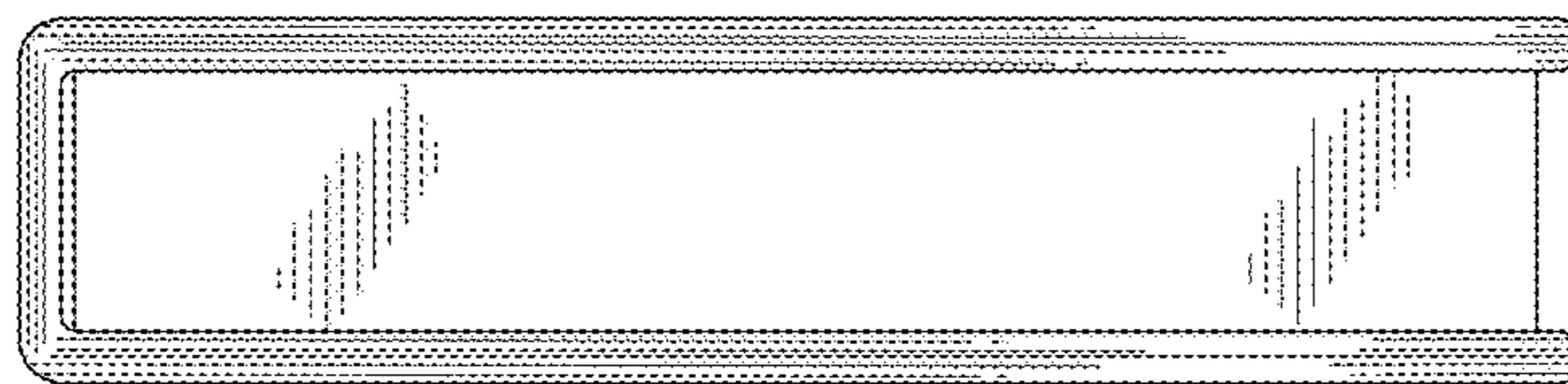


FIG. 3

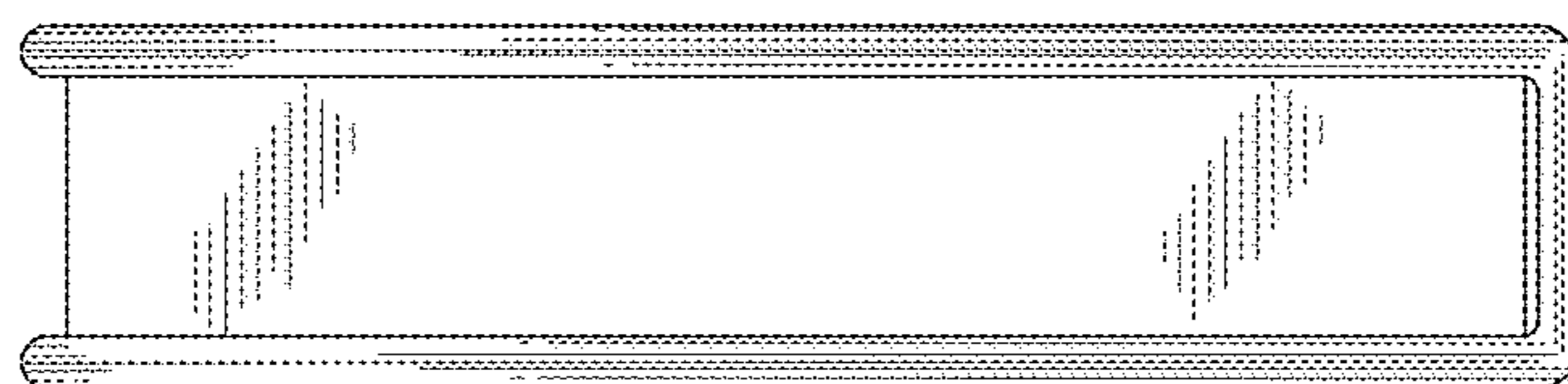


FIG. 4

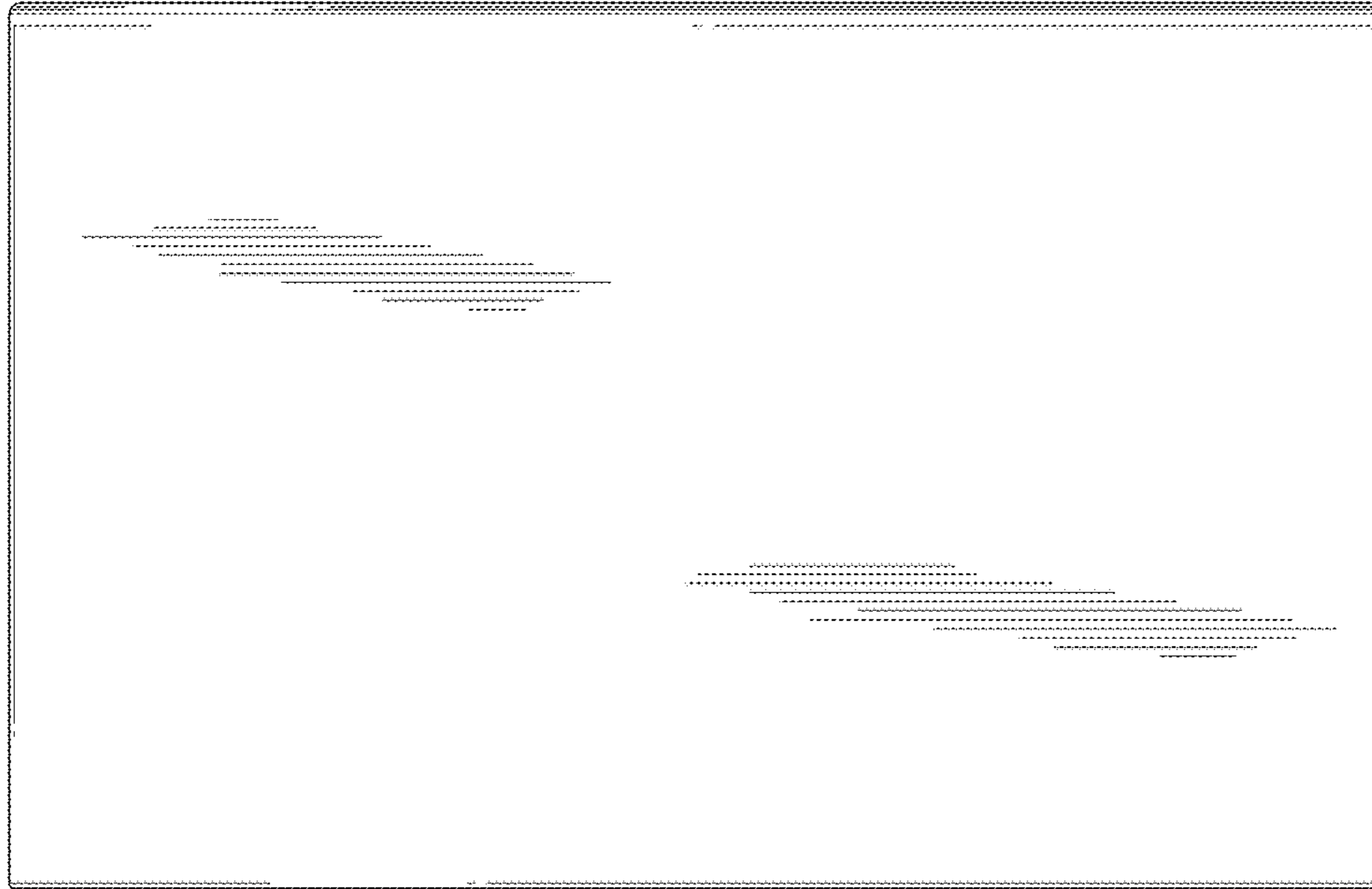


FIG. 6

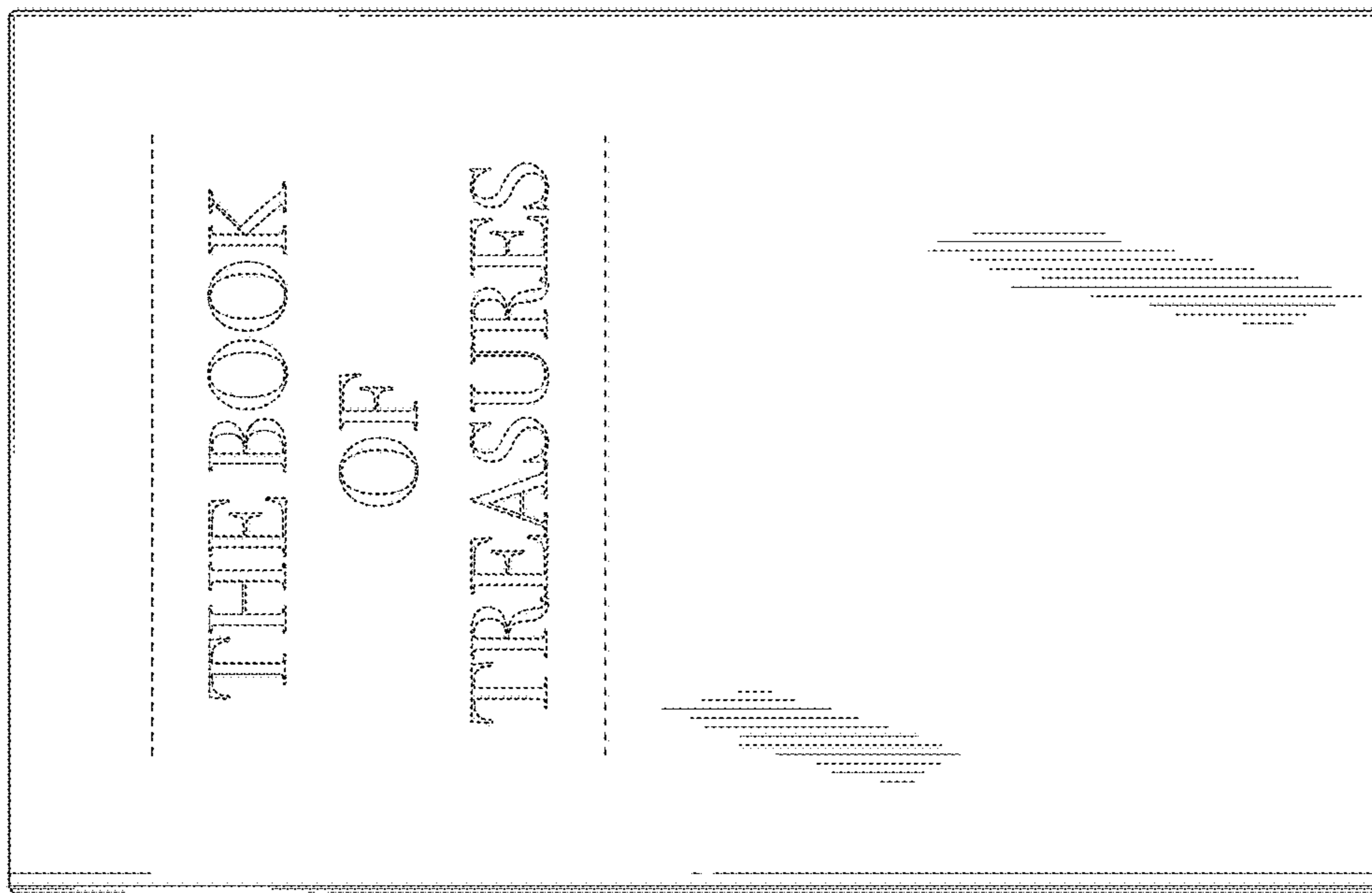


FIG. 5

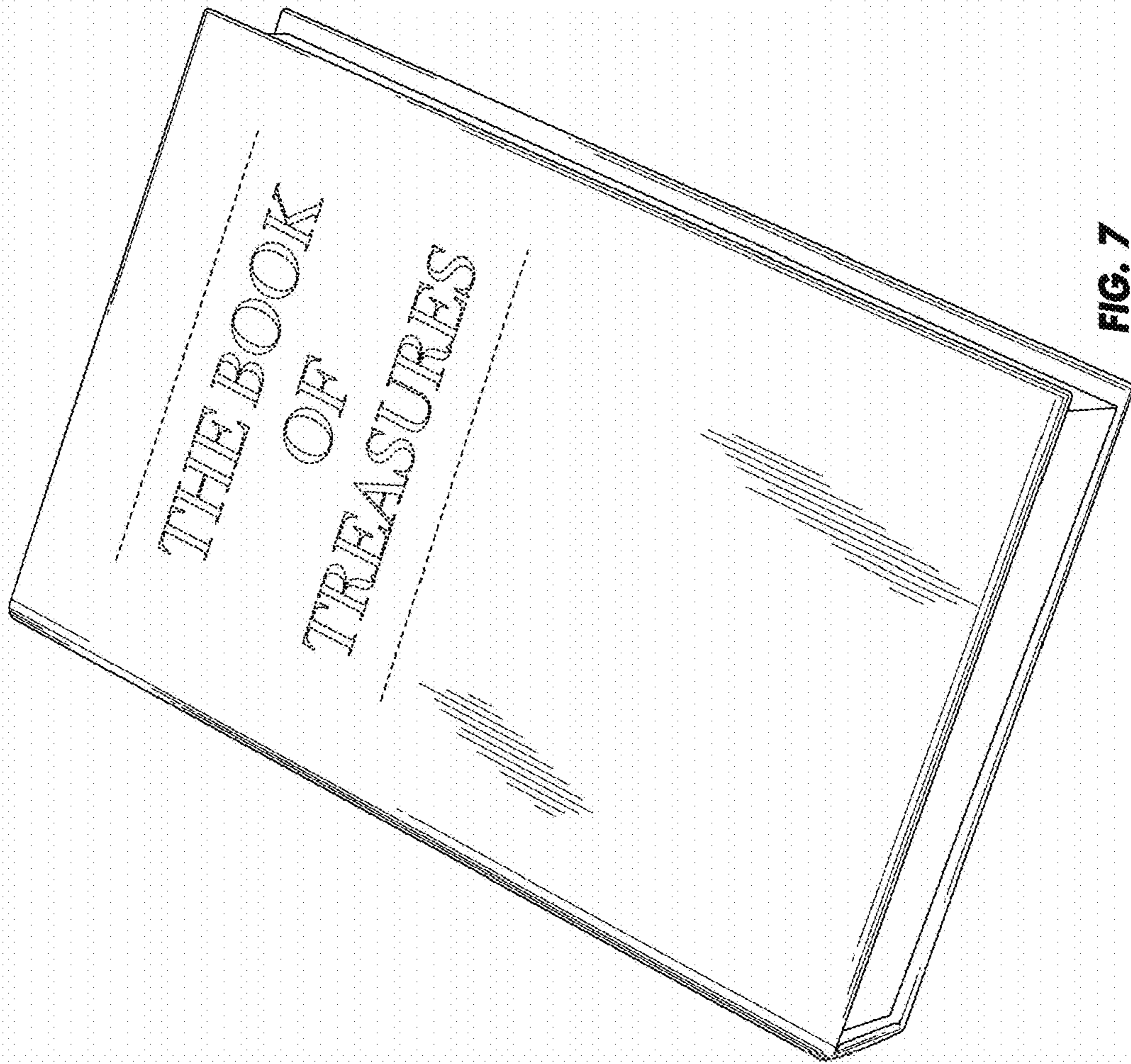


FIG. 7

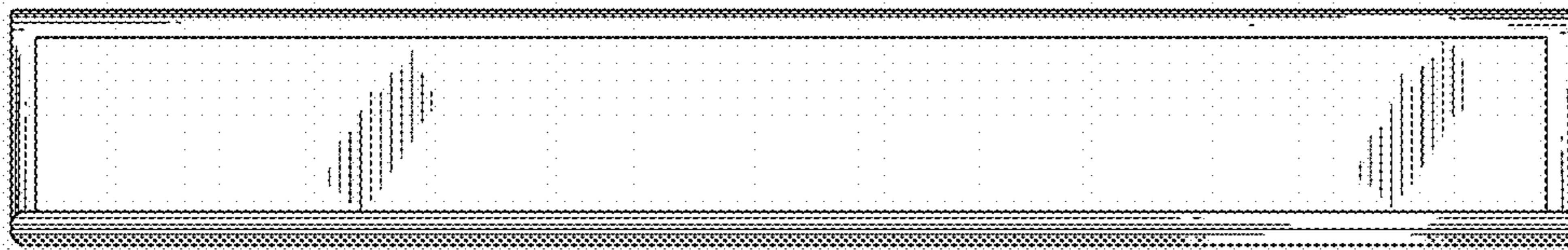


FIG. 8

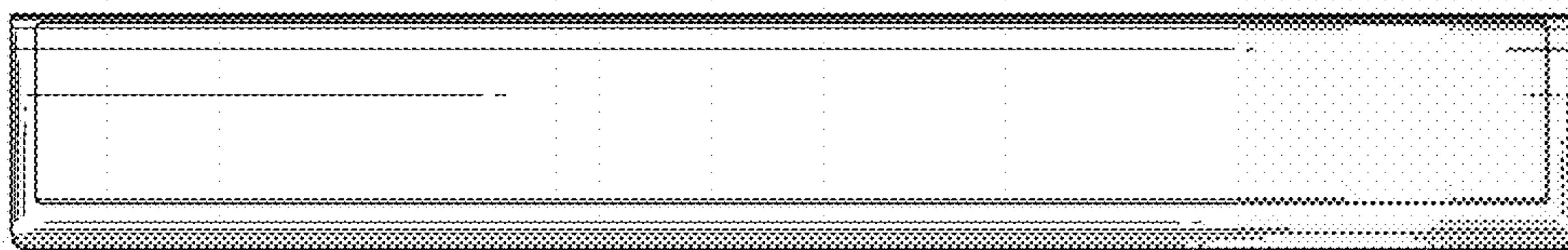
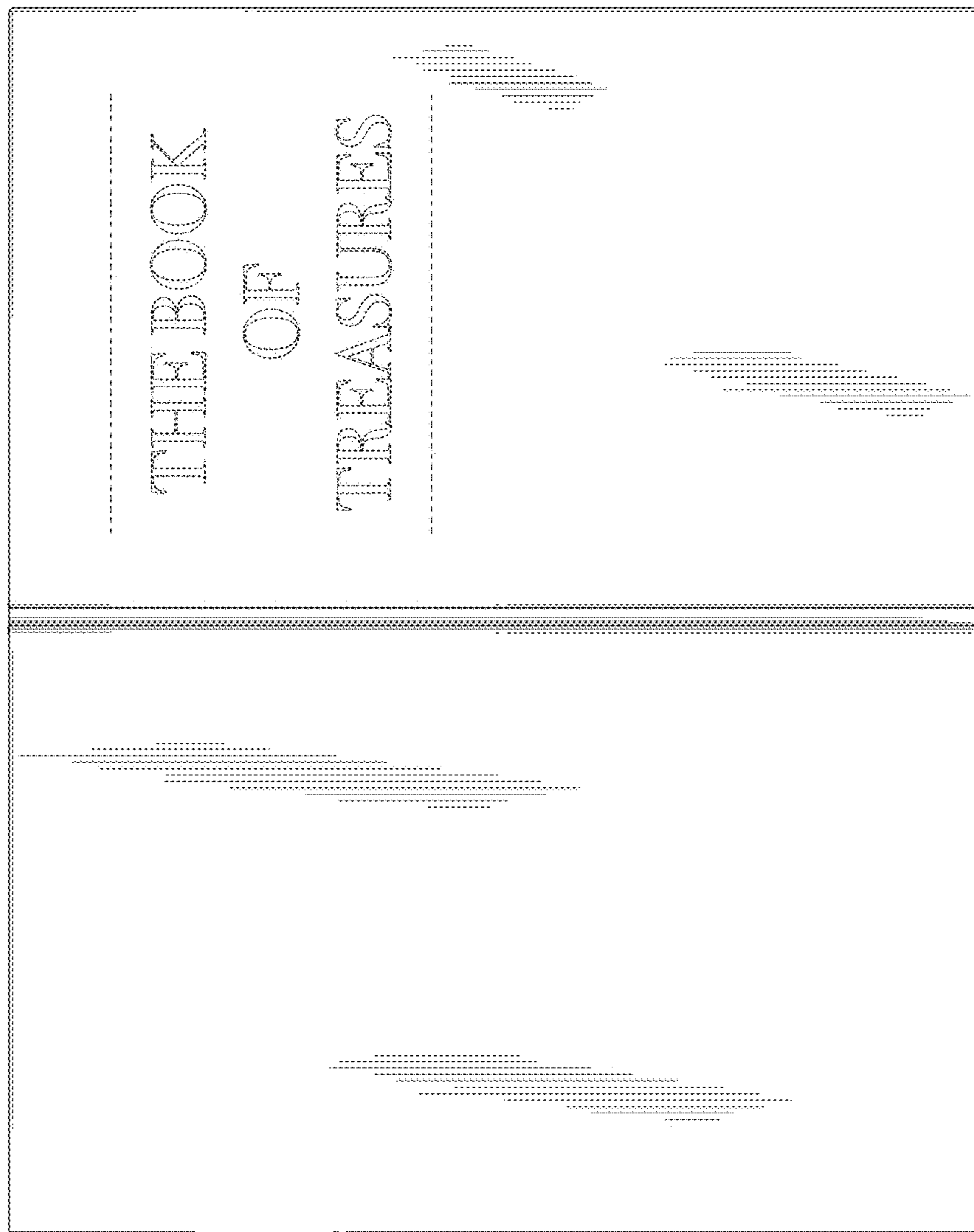
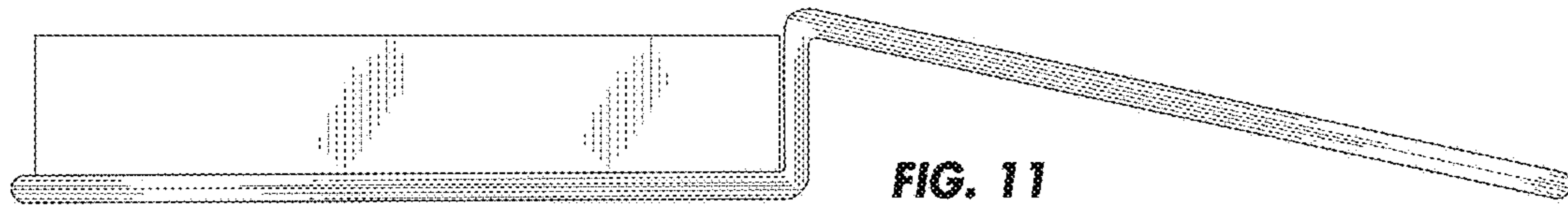
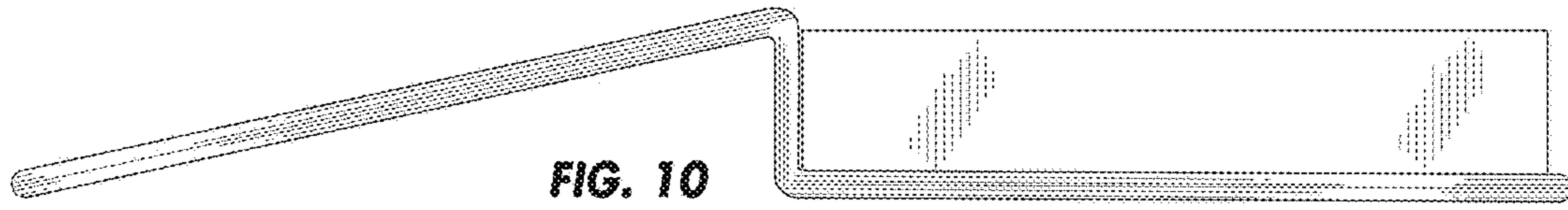


FIG. 9



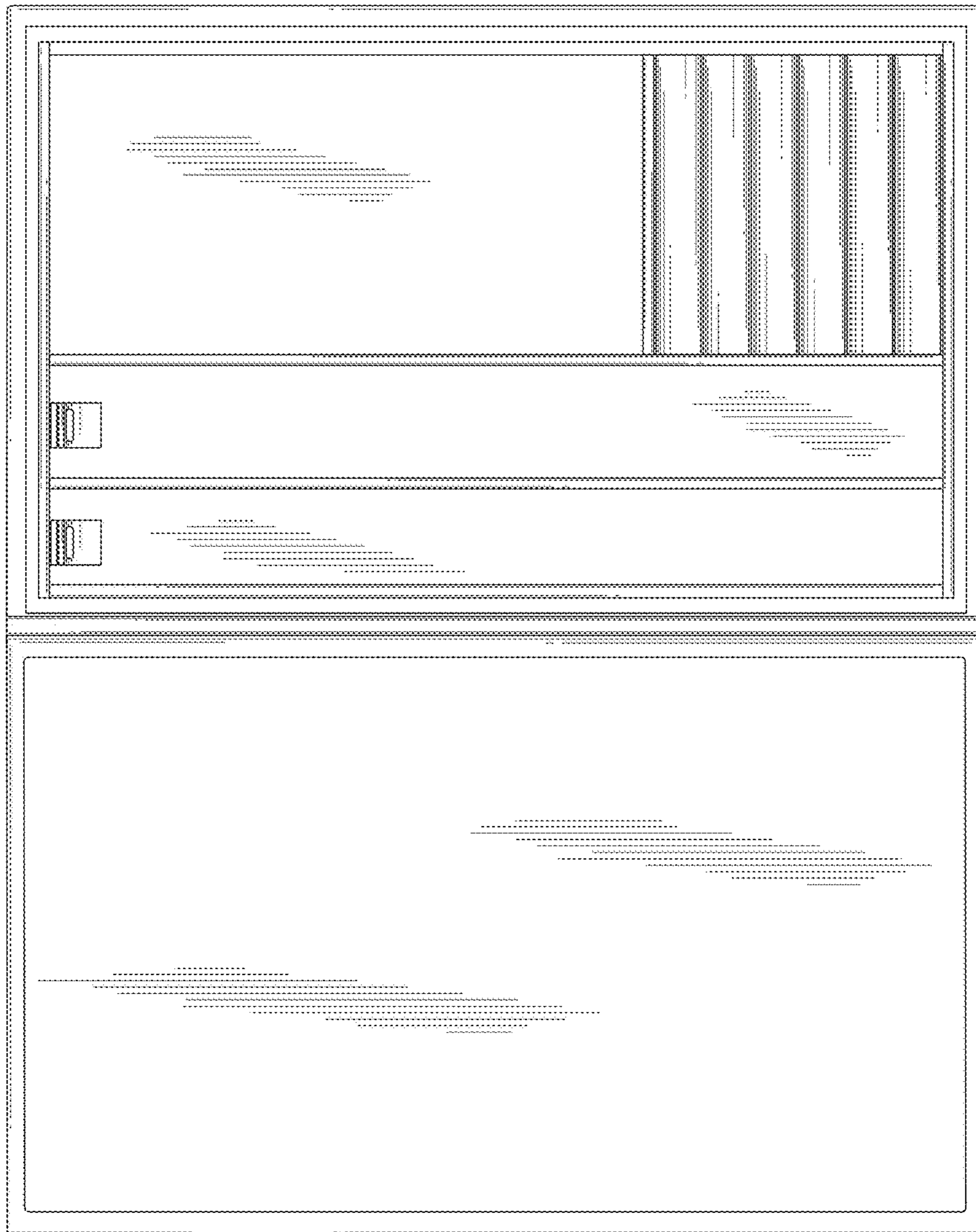


FIG. 13

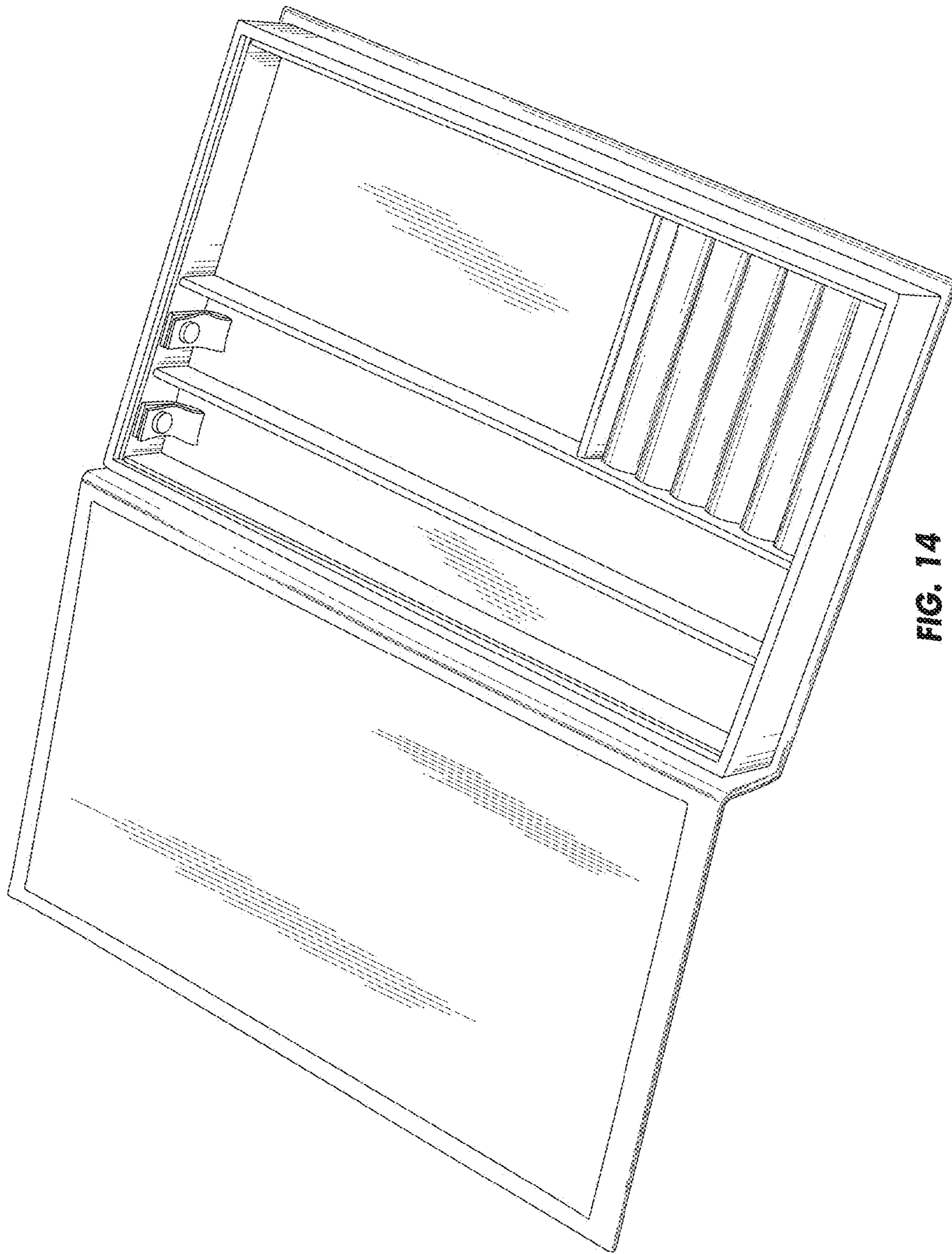


FIG. 14