



US00D831350S

(12) **United States Design Patent**
Tonelli

(10) **Patent No.:** **US D831,350 S**
(45) **Date of Patent:** **** Oct. 23, 2018**

- (54) **TRUNK**
- (71) Applicant: **G.T. LINE S.R.L.**, Valsamoggia,
Frazione Crespellano (IT)
- (72) Inventor: **Massimo Tonelli**, Casalecchio di Reno
(IT)
- (73) Assignee: **G.T. LINE S.R.L.**, Valsamoggia,
Frazione Crespellano (IT)
- (**) Term: **15 Years**
- (21) Appl. No.: **29/620,517**
- (22) Filed: **Feb. 1, 2017**

- D467,426 S * 12/2002 Hardigg D3/276
- D511,632 S * 11/2005 Lown D3/276
- D520,237 S * 5/2006 Cheng D3/276
- D727,620 S * 4/2015 Tonelli D3/276
- D811,744 S * 3/2018 Ballou D3/279

(Continued)

OTHER PUBLICATIONS

Amazon, "Explorer Cases 10840 Multi Gun Case with Foam", First reviewed on Nov. 14, 2016. (<https://www.amazon.com/dp/B00K8Q24KK>).*

(Continued)

Primary Examiner — Jennifer Rivard
Assistant Examiner — April Rivas
(74) *Attorney, Agent, or Firm* — Modiano & Associati;
Daniel J. O'Byrne

Related U.S. Application Data

- (62) Division of application No. 29/505,011, filed on Apr. 20, 2015.

Foreign Application Priority Data

- Oct. 22, 2014 (EM) 002562322

- (51) **LOC (11) Cl.** **03-01**

- (52) **U.S. Cl.**
USPC **D3/262; D3/279; D3/905**

- (58) **Field of Classification Search**
USPC D3/203.2, 203.3, 203.6, 273, 279, 276,
D3/284, 294, 302, 905, 274, 281, 282,
D3/283, 295, 262
CPC B25H 3/00; B25H 3/003; B25H 3/006;
B25H 3/02-3/028; A45C 5/00; A45C
13/29

See application file for complete search history.

- (56) **References Cited**

U.S. PATENT DOCUMENTS

- D441,954 S * 5/2001 Parker D3/273
- D467,425 S * 12/2002 Hardigg D3/276

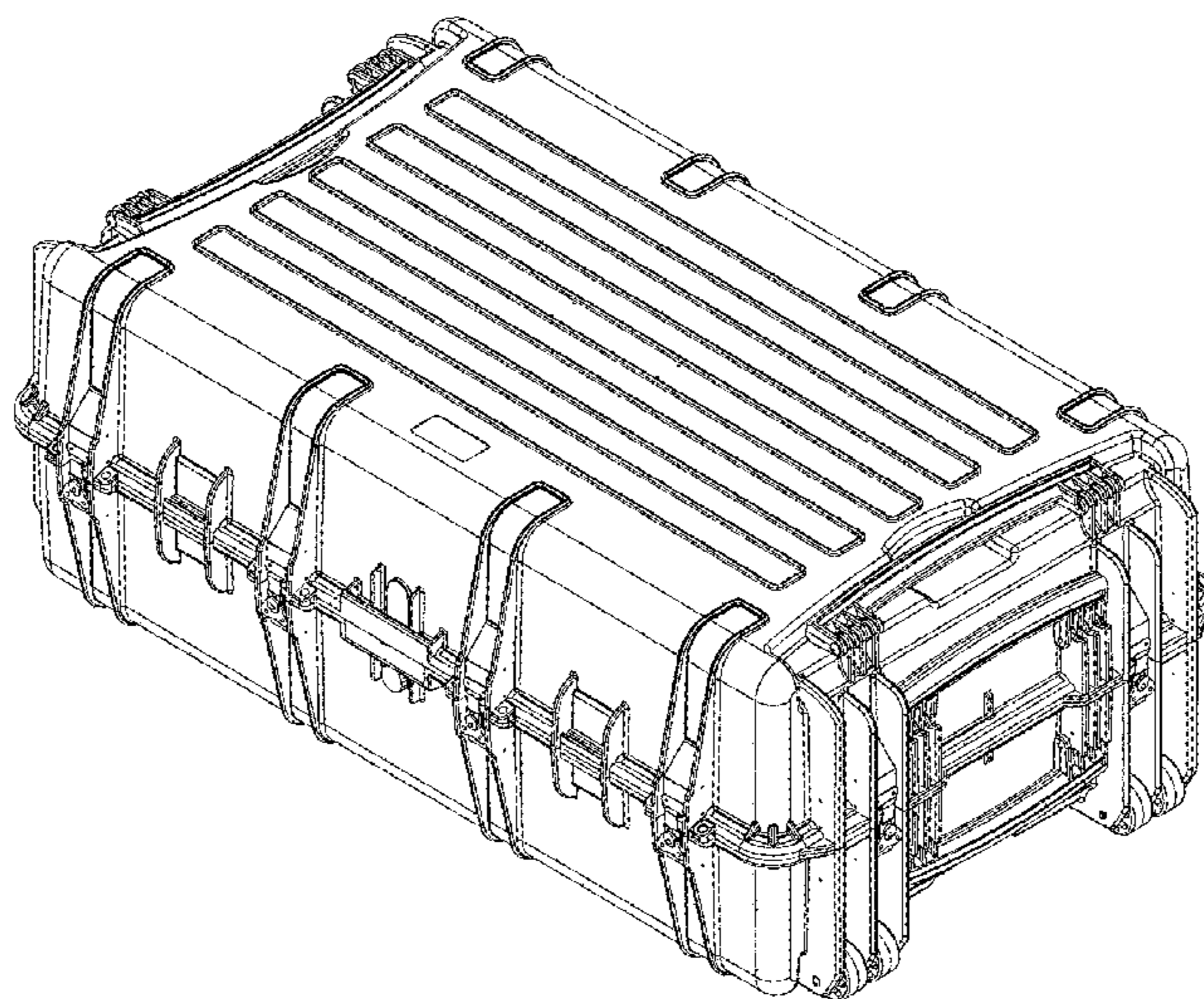
- (57) **CLAIM**

The ornamental design for a trunk, as shown.

DESCRIPTION

FIG. 1 is a perspective view of a trunk showing my new design in a first embodiment;
FIG. 2 is a front view thereof;
FIG. 3 is a rear view thereof;
FIG. 4 is a left side view thereof;
FIG. 5 is a right side view thereof;
FIG. 6 is a top view thereof;
FIG. 7 is a bottom view thereof;
FIG. 8 is a perspective view of a trunk showing my new design in a second embodiment;
FIG. 9 is a front view thereof;
FIG. 10 is a rear view thereof;
FIG. 11 is a left side view thereof;
FIG. 12 is a right side view thereof;
FIG. 13 is a top view thereof; and,
FIG. 14 is a bottom view thereof.

1 Claim, 14 Drawing Sheets



(56)

References Cited

U.S. PATENT DOCUMENTS

2013/0126542 A1* 5/2013 Lorek B25H 3/021
220/810

OTHER PUBLICATIONS

Arms List, "For Sale: Hardigg Pelican Mobile Military Armory 472-M4-M16-12", Listed on Jul. 5, 2015. (<http://www.armslist.com/posts/4410271/olympic-peninsula-washington-tactical-gear-for-sale--hardigg-pelican-mobile-military-armory-472-m4-m16-12->).*

* cited by examiner

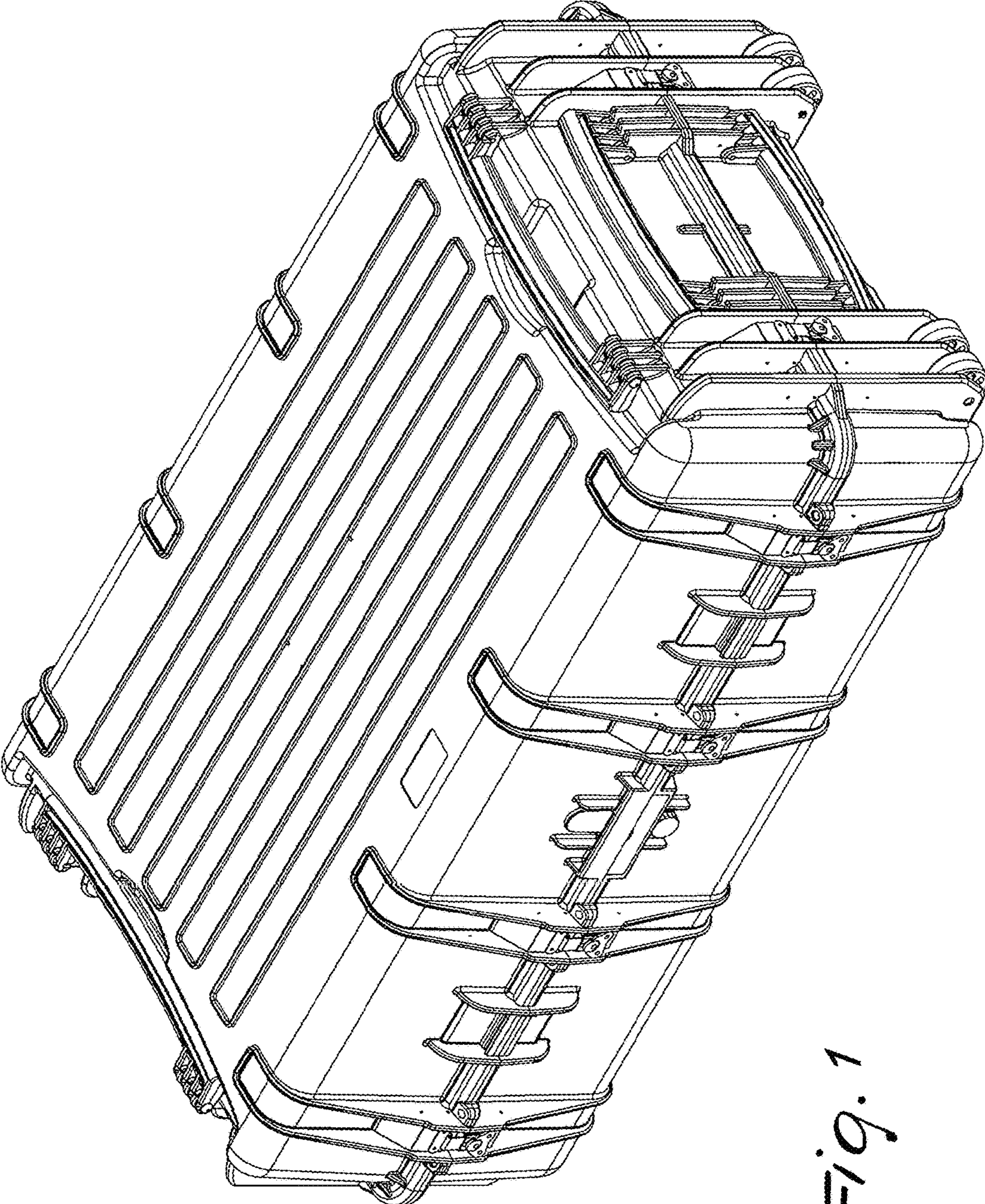


Fig. 1

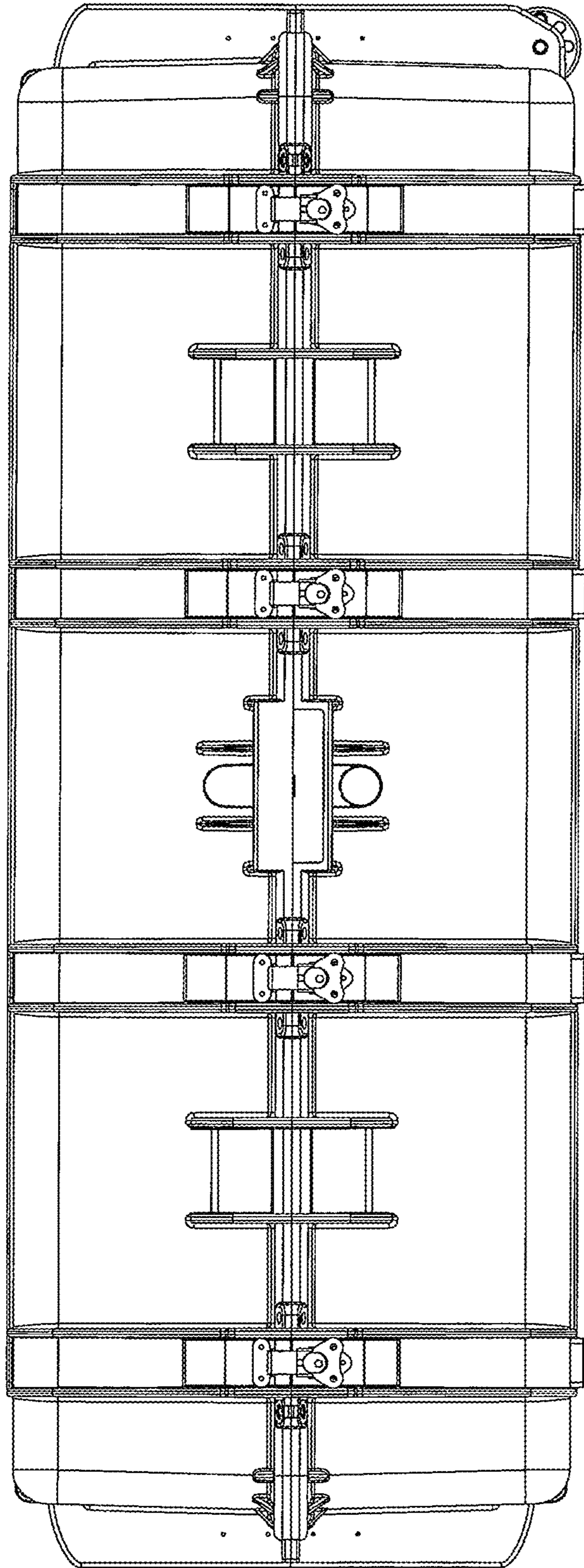


Fig. 2

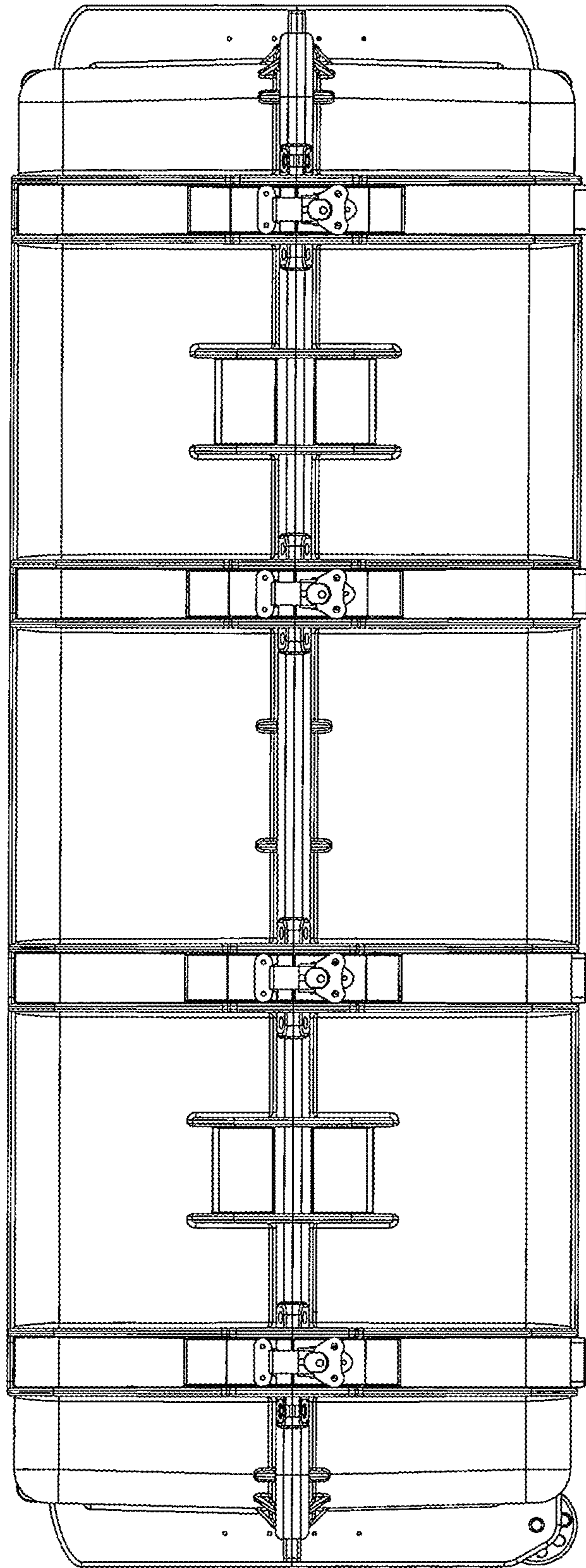


Fig. 3

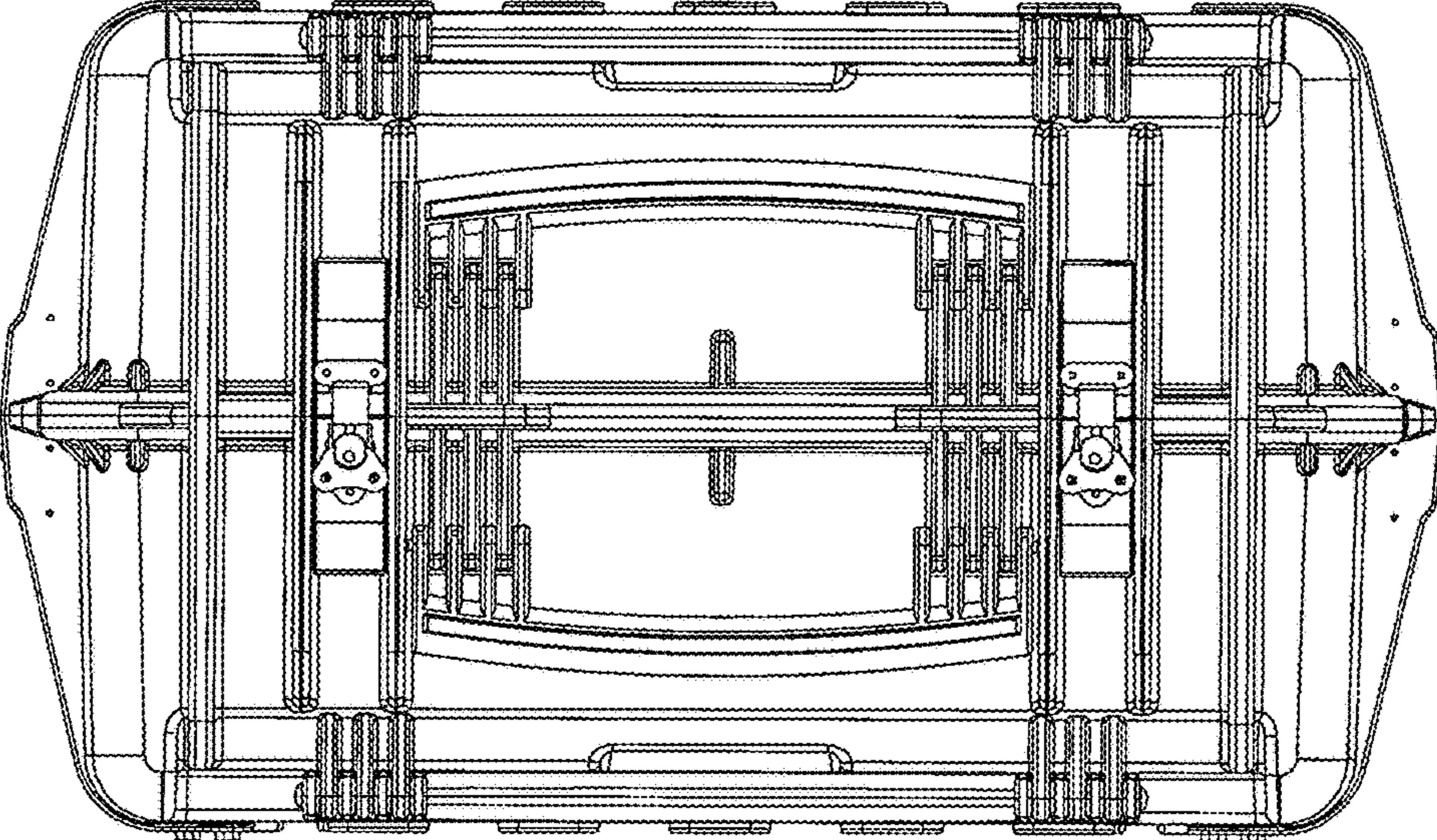


Fig. 4

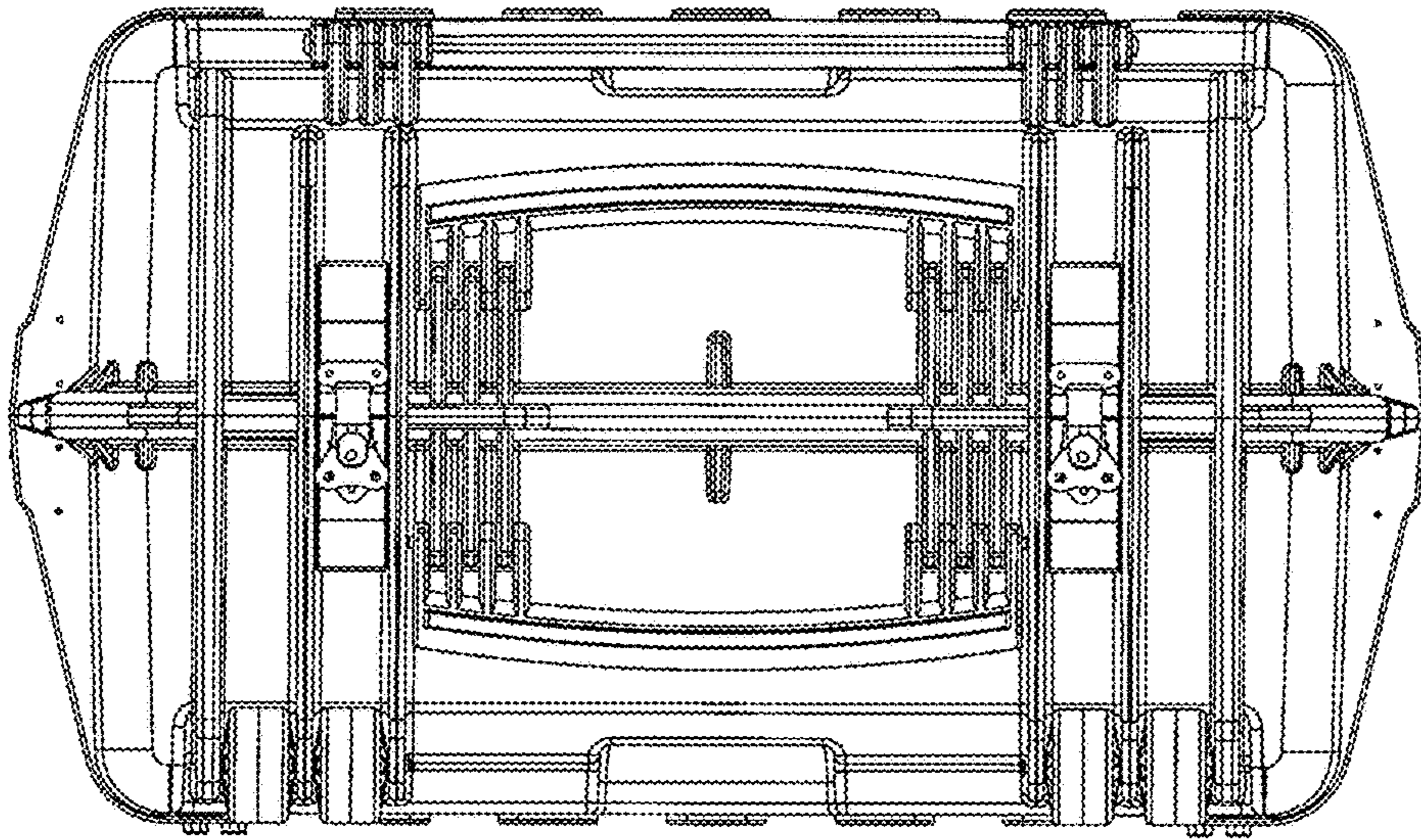


Fig. 5

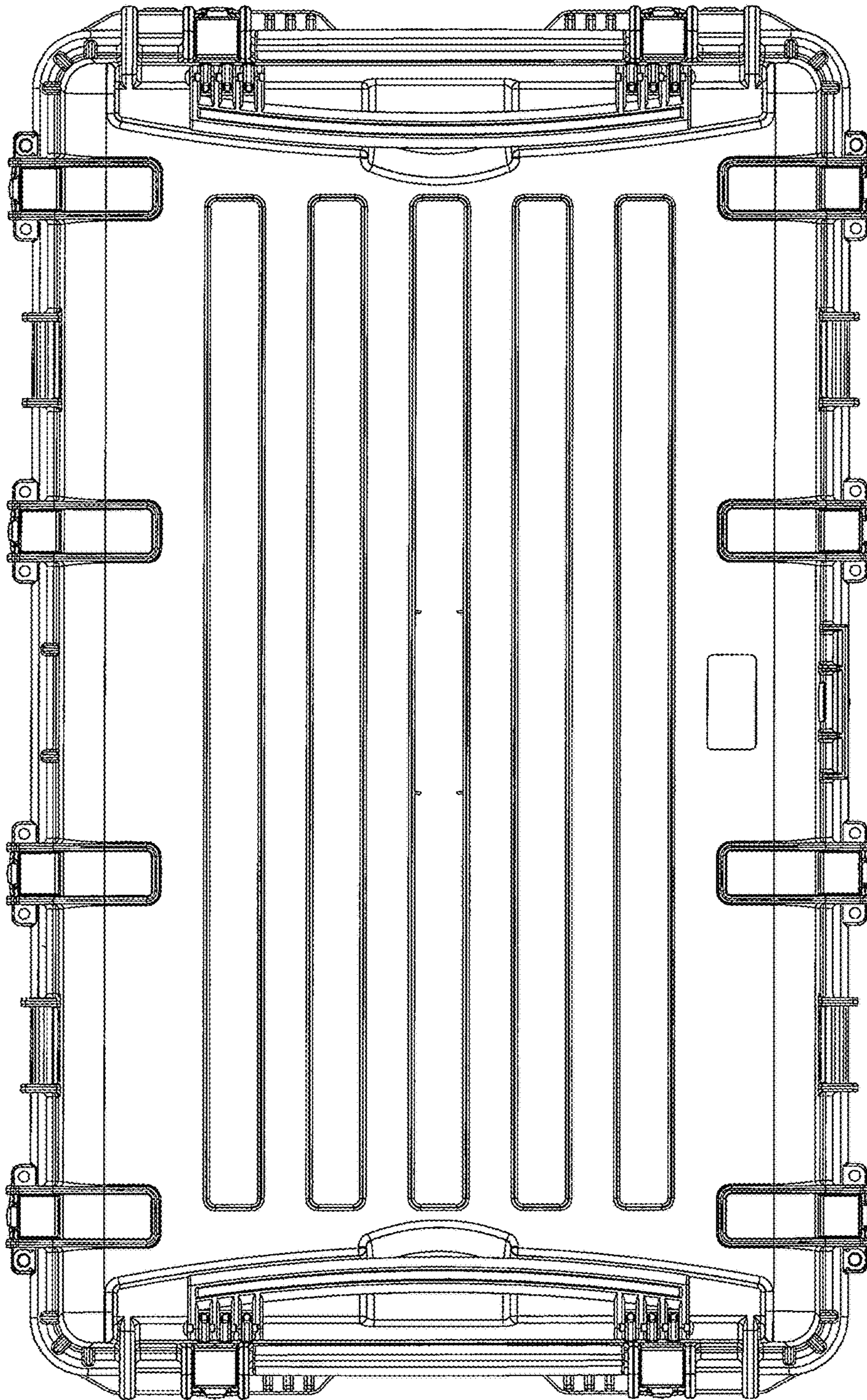


Fig. 6

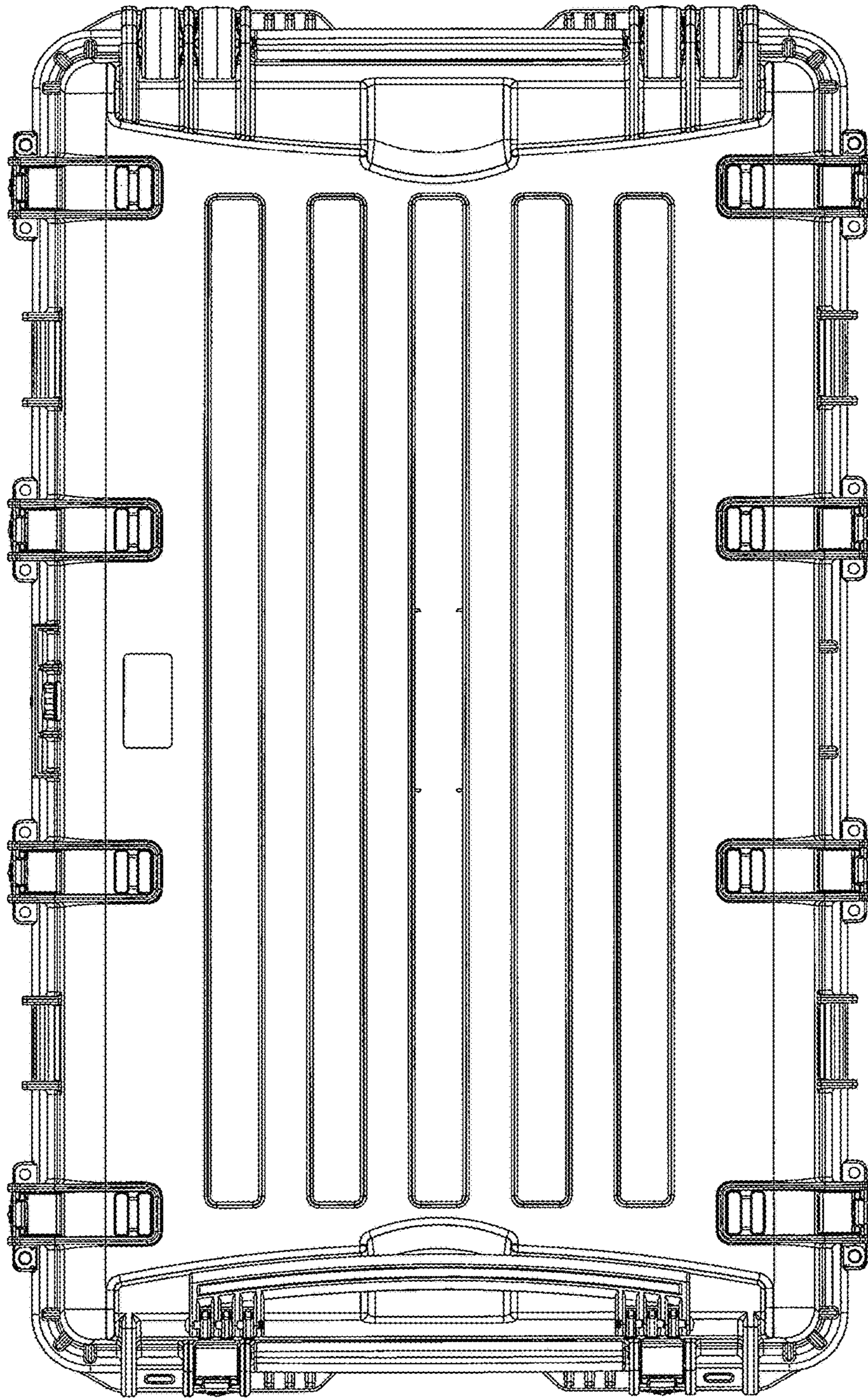


Fig. 7

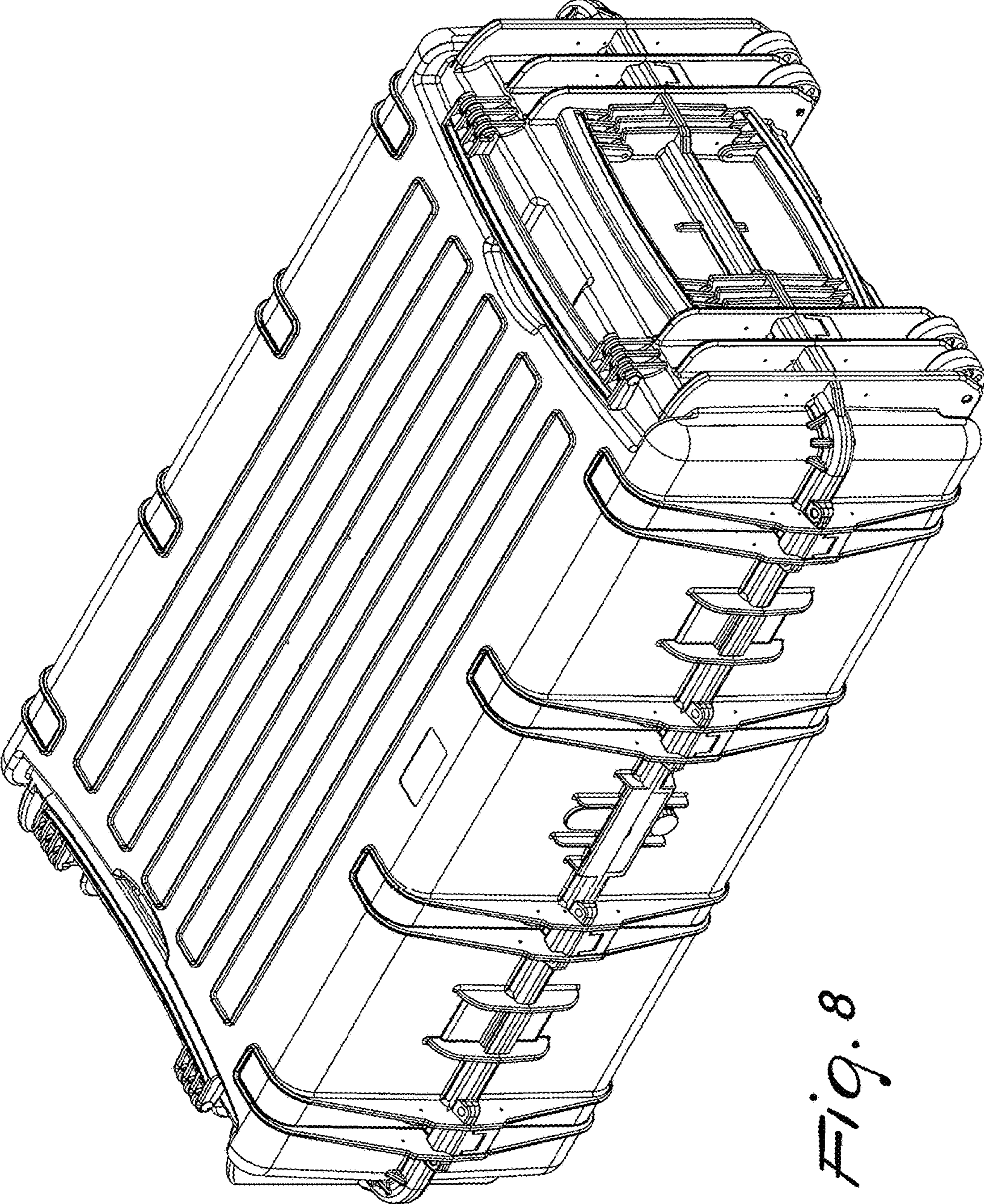


Fig. 8

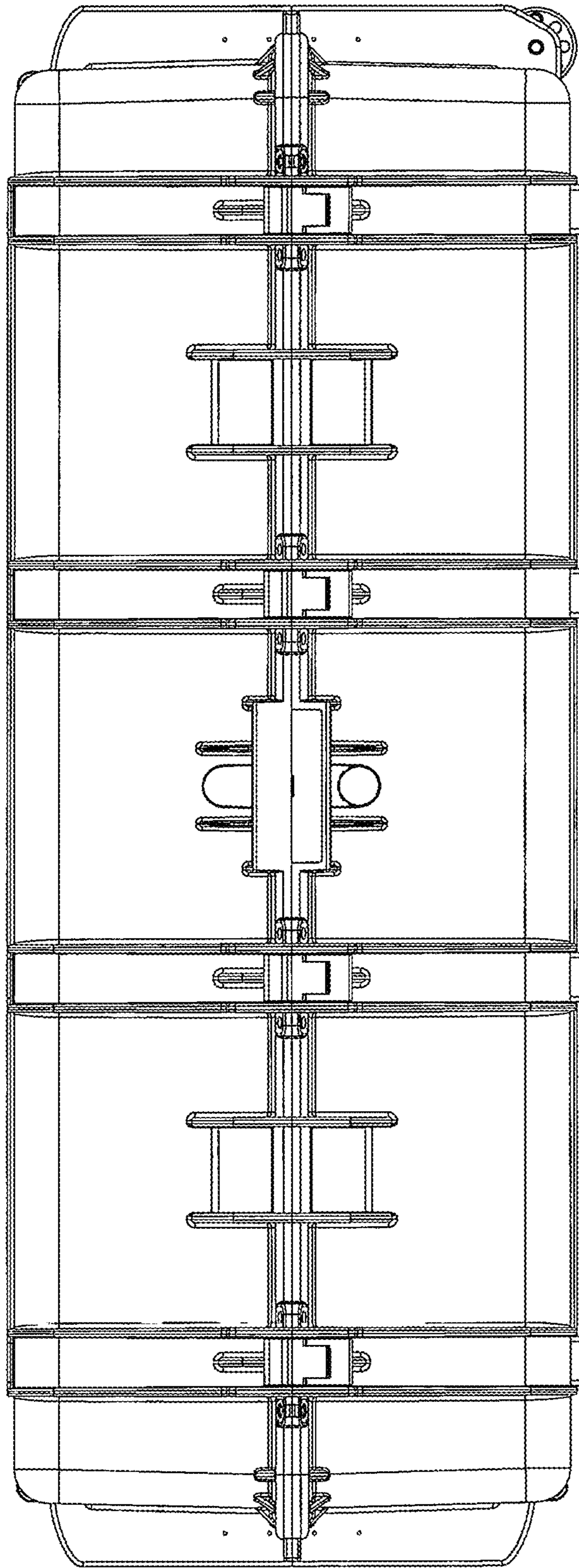


Fig. 9

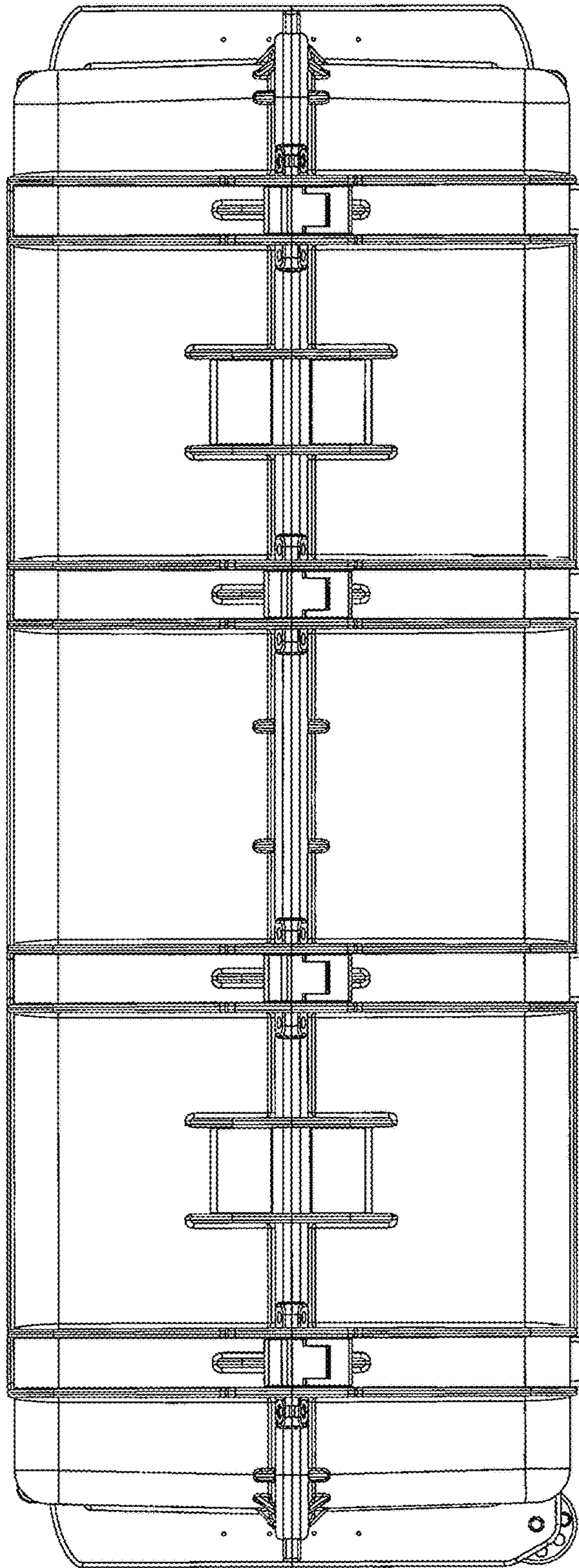


Fig. 10

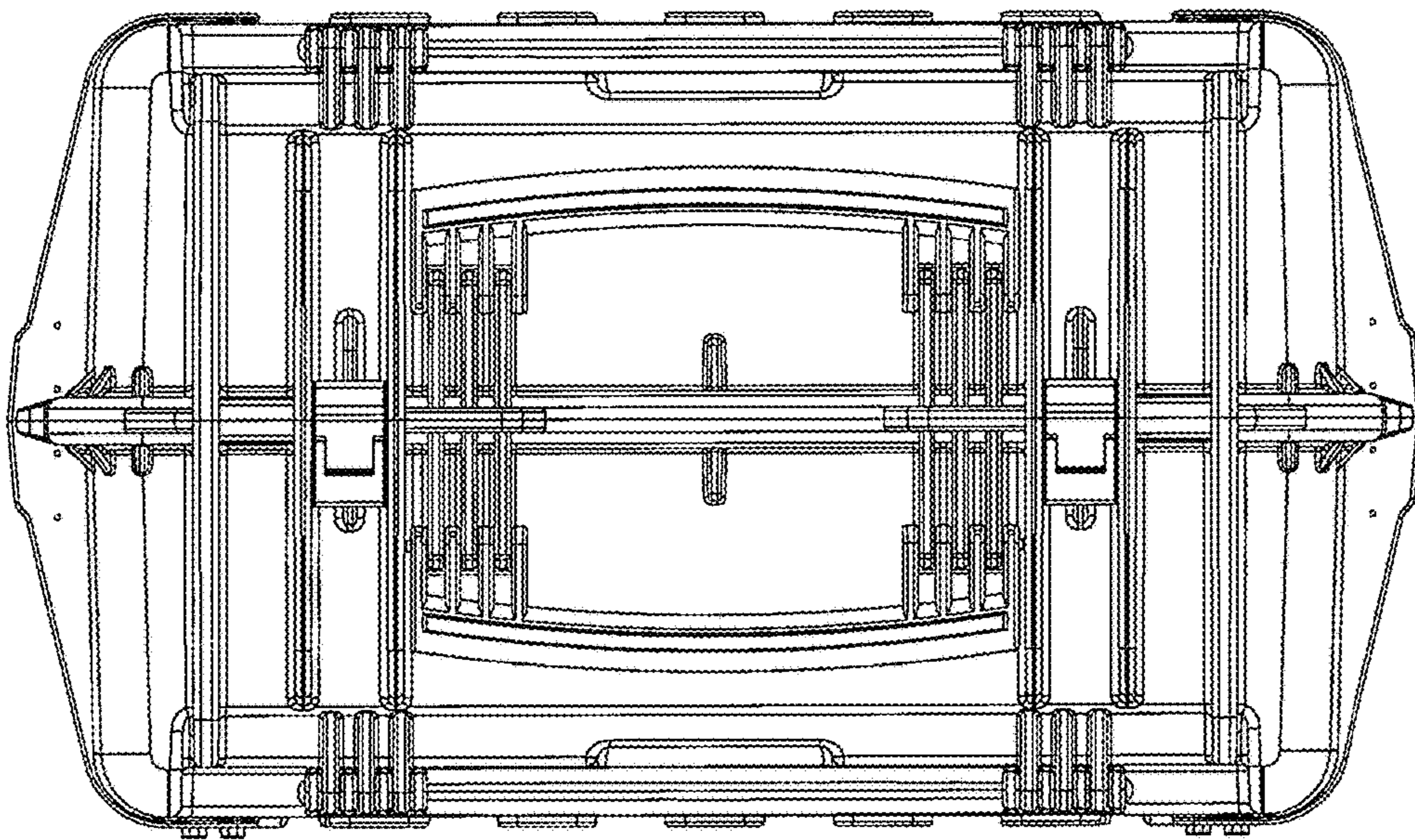


Fig. 11

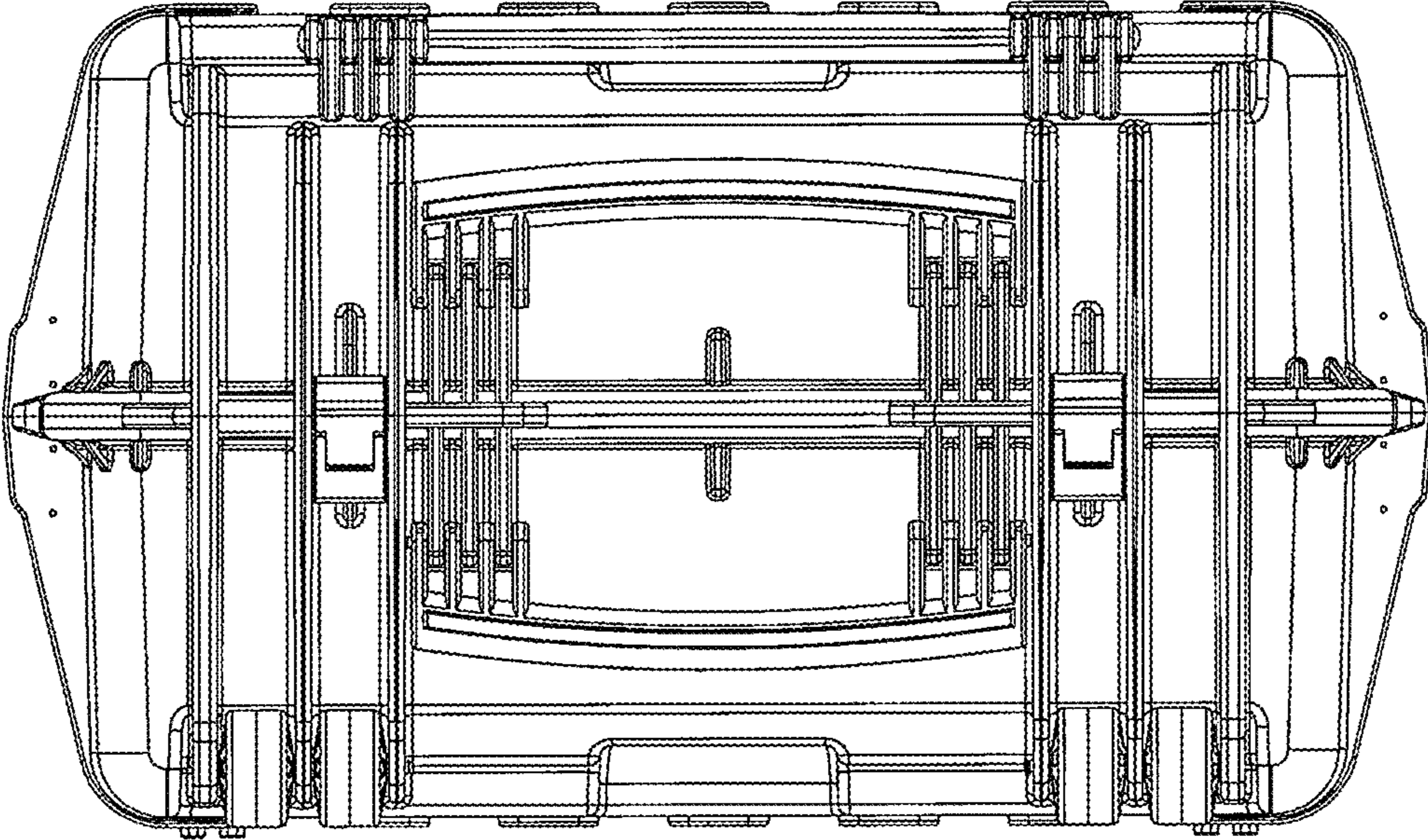


Fig. 12

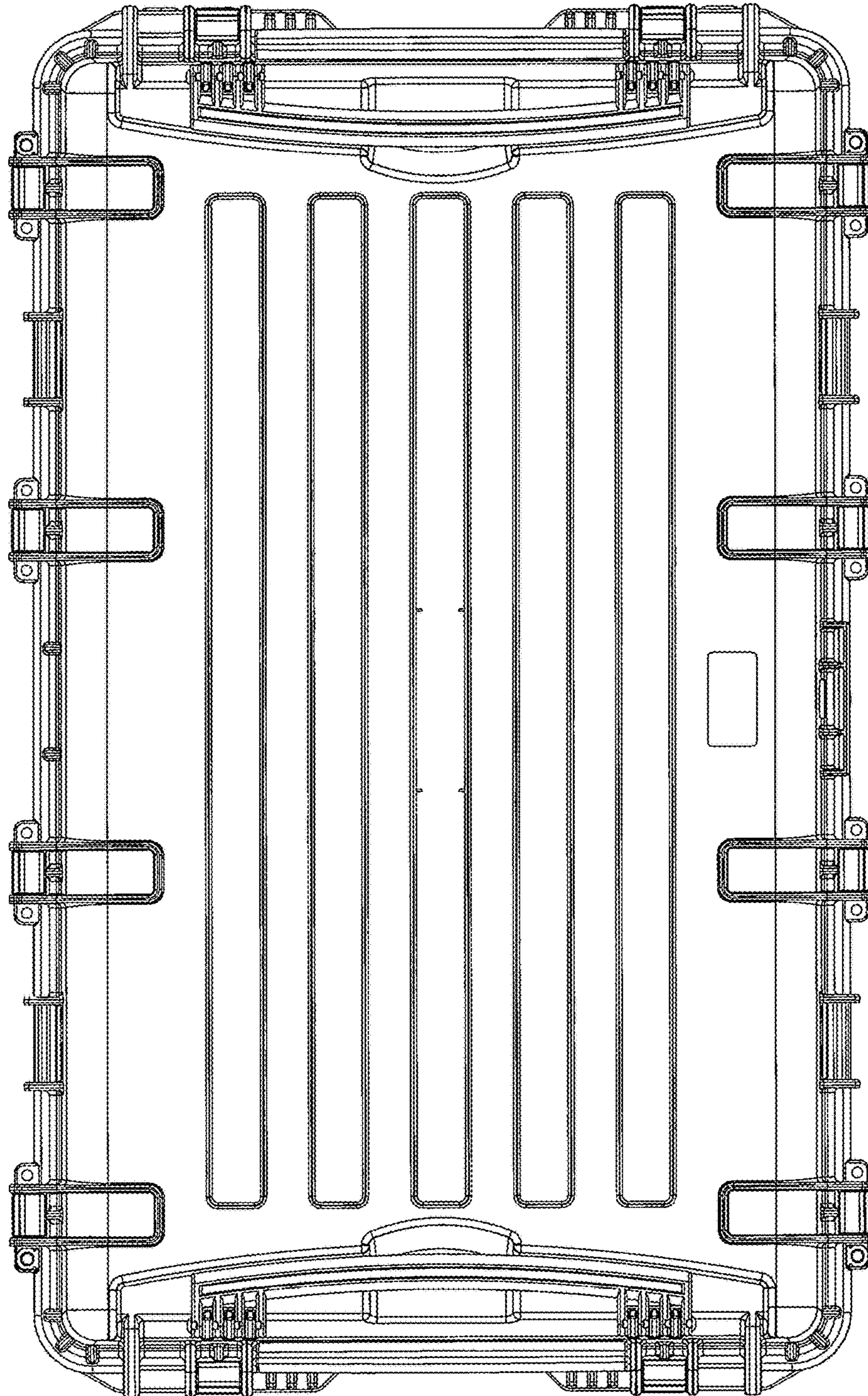


Fig. 13

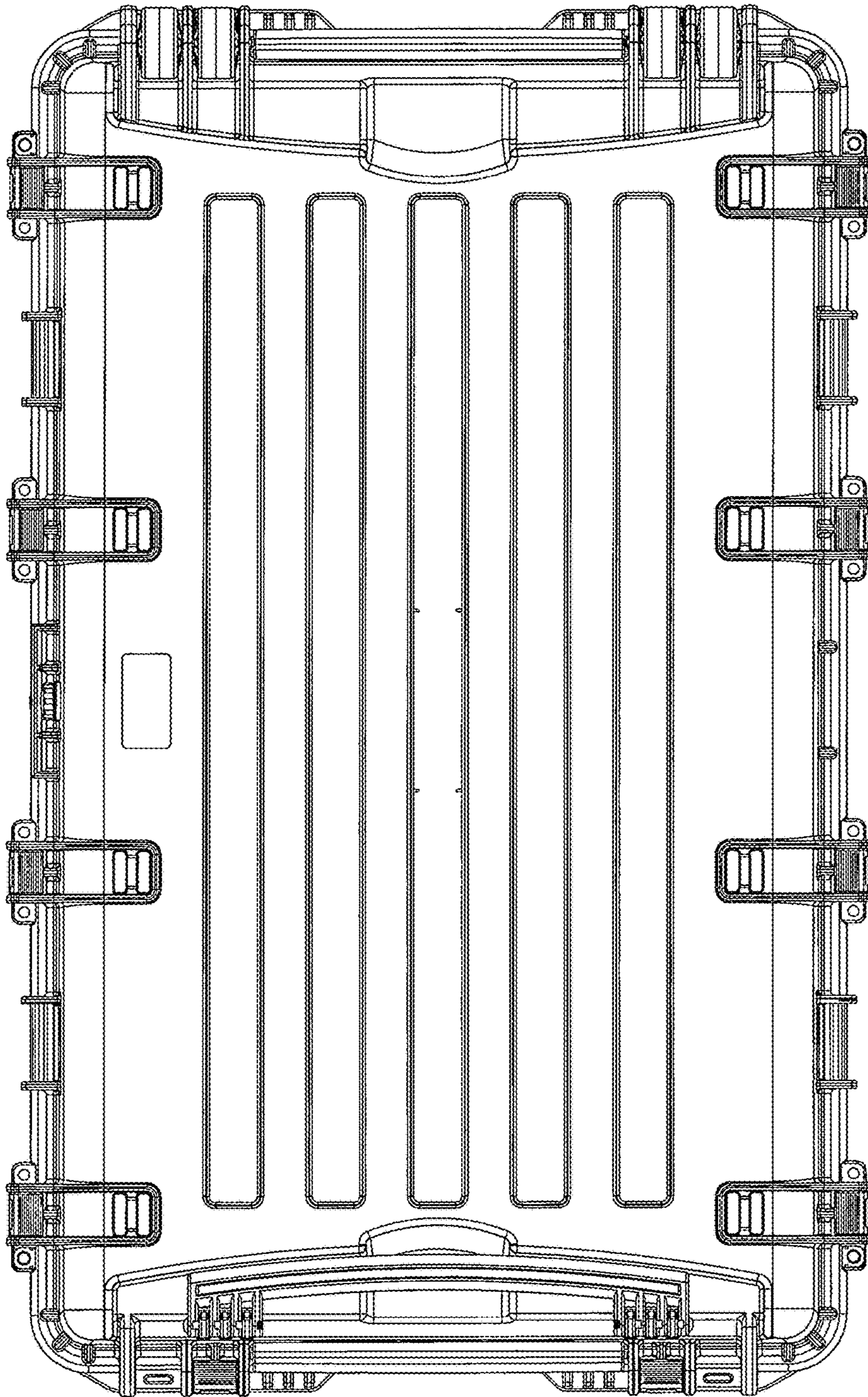


Fig. 14