



US00D831347S

(12) **United States Design Patent**
Marzin et al.

(10) **Patent No.:** **US D831,347 S**
(45) **Date of Patent:** **** Oct. 23, 2018**

(54) **SACHEL**
(71) Applicant: **LIVINGPACKETS SA**, Pully (CH)
(72) Inventors: **Audrey Marzin**,
Saint-Julien-de-Concelles (FR);
Jean-François Chevalier, Paris (FR)
(**) Term: **15 Years**
(21) Appl. No.: **35/503,475**
(22) Filed: **Jul. 26, 2017**
(80) **Hague Agreement Data**
Int. Filing Date: **Jul. 26, 2017**
Int. Reg. No.: **DM/097090**
Int. Reg. Date: **Jul. 26, 2017**
Int. Reg. Pub. Date: **Aug. 11, 2017**

(30) **Foreign Application Priority Data**
Jan. 27, 2017 (CH) 2017-00053
(51) **LOC (11) Cl.** **03-01**
(52) **U.S. Cl.**
USPC **D3/243**
(58) **Field of Classification Search**
USPC D3/232, 233, 239, 240, 241, 242, 243,
D3/245, 246
CPC A45C 3/04; A45C 2200/10; A45C 3/001;
A45C 7/0086; A45C 13/02; A45C 13/10;
A45C 13/103; A45C 13/18; A45C
2003/007; A45C 3/06; A45C 5/02
See application file for complete search history.

(56) **References Cited**
U.S. PATENT DOCUMENTS
4,153,092 A * 5/1979 Haslam A45C 3/00
150/108

D360,751 S * 8/1995 Nash D3/233
6,230,887 B1 * 5/2001 Snider A45C 3/02
206/232
D513,867 S * 1/2006 Stulman D3/243
D765,969 S * 9/2016 Bonesi D3/243
D770,176 S * 11/2016 Guyon D3/243
D794,326 S * 8/2017 Nair D3/243
D795,573 S * 8/2017 Bonesi D3/245
D799,818 S * 10/2017 Nair D3/243
D813,533 S * 3/2018 de Haan D3/243
D814,178 S * 4/2018 Spaziani D3/243
D816,330 S * 5/2018 Nair D3/243
D818,706 S * 5/2018 Maier D3/232

* cited by examiner

Primary Examiner — George D. Kirschbaum
Assistant Examiner — Jennifer L. Watkins

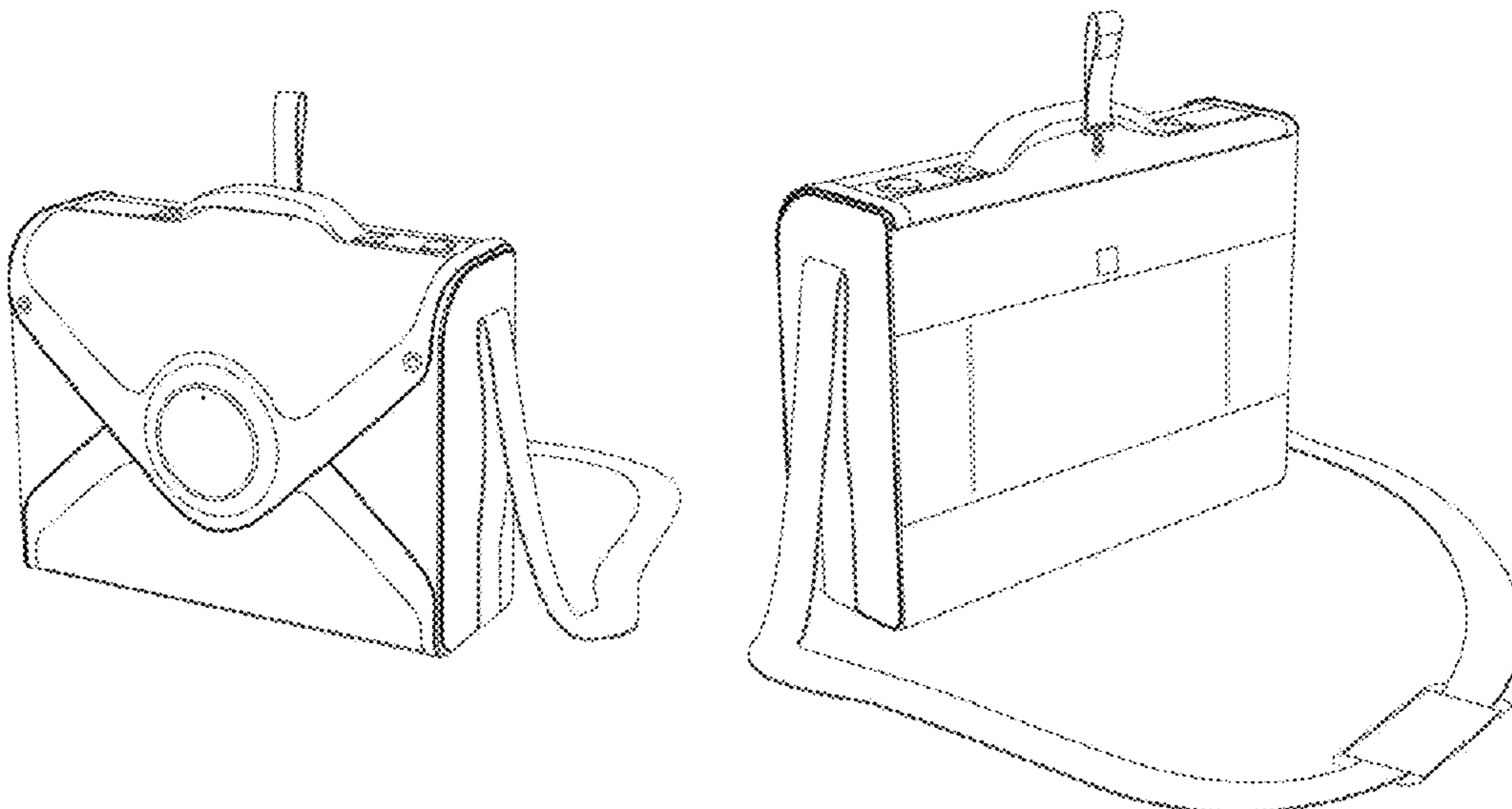
(57) **CLAIM**

The ornamental design for a satchel, as shown and described.

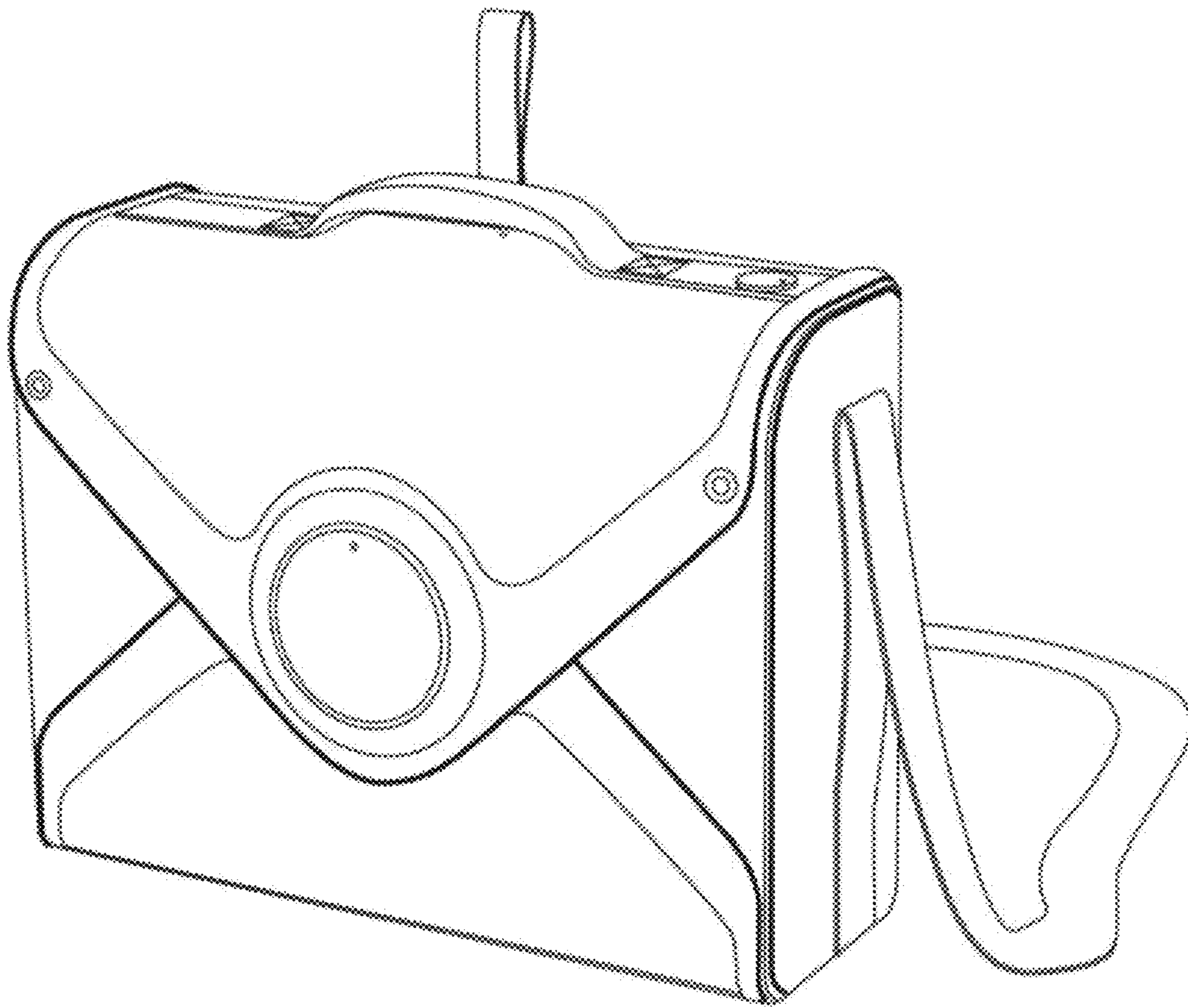
DESCRIPTION

1. Satchel
1.1 is a front perspective view of a satchel showing our new design.
1.2 is a back perspective view thereof;
1.3 is a back elevation view thereof;
1.4 is a front elevation view thereof;
1.5 is a top plan view thereof;
1.6 is a bottom plan view thereof;
1.7 is a side elevation view thereof; and
1.8 is an opposite side elevation view thereof.

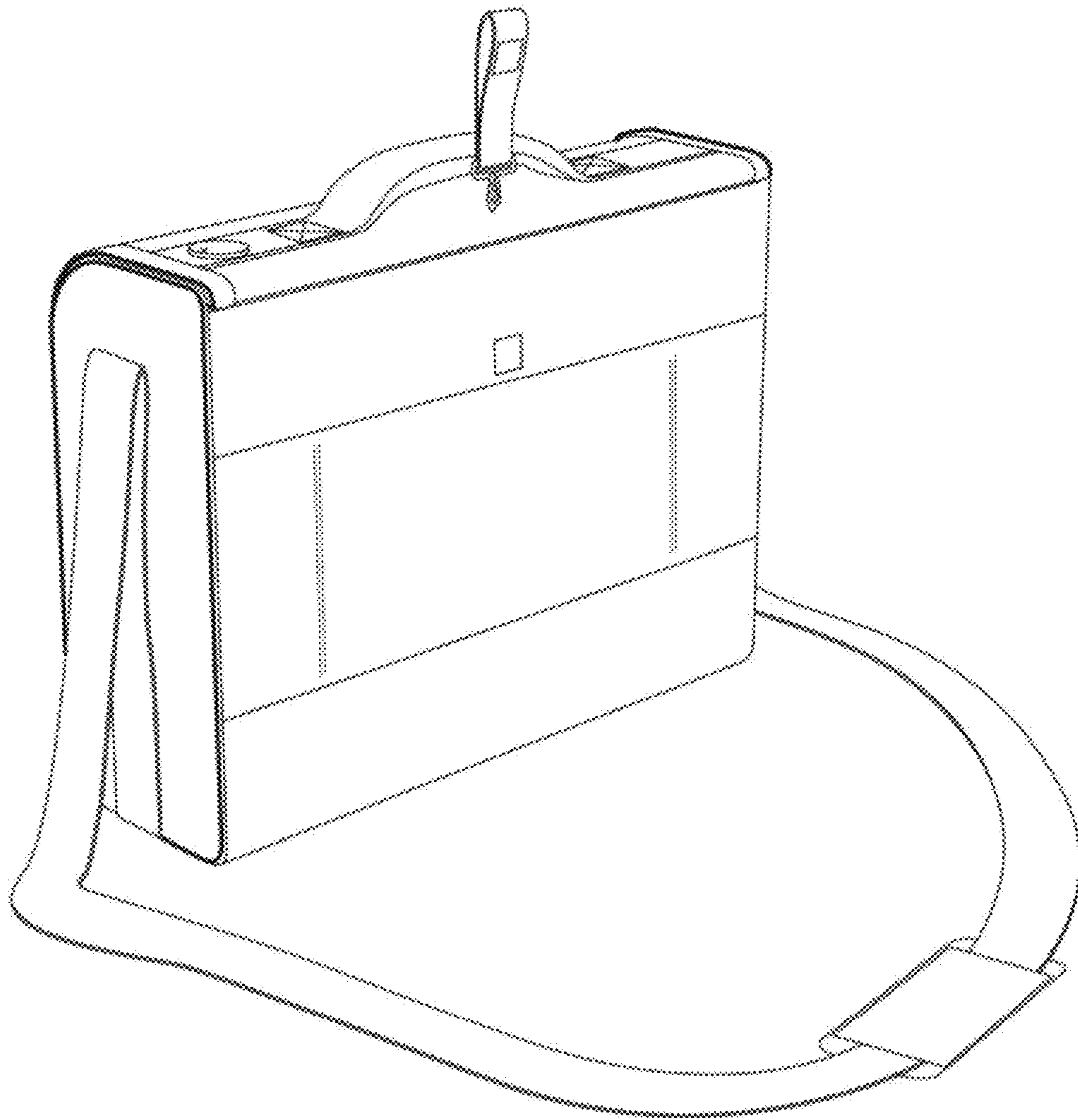
1 Claim, 8 Drawing Sheets



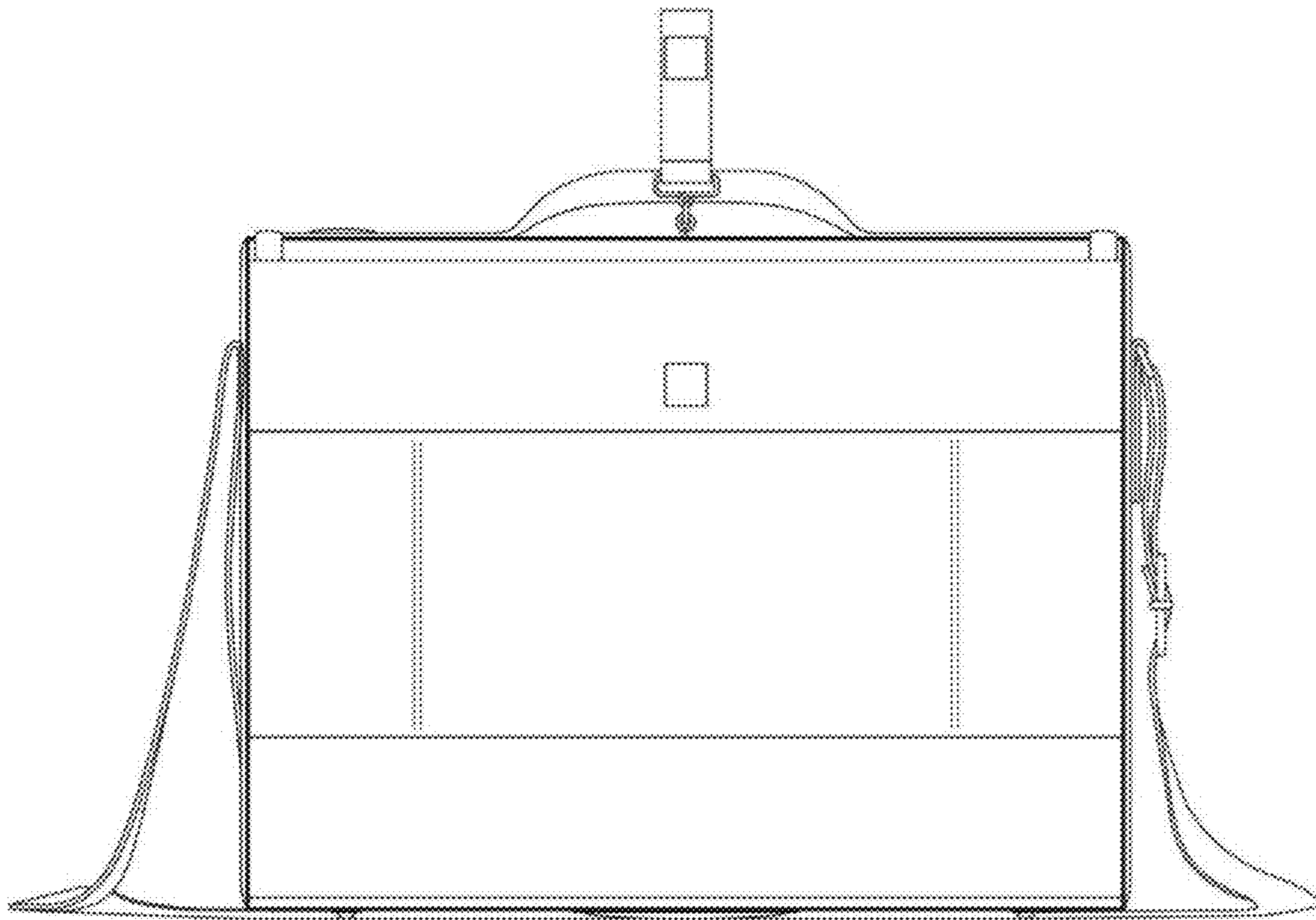
1.1



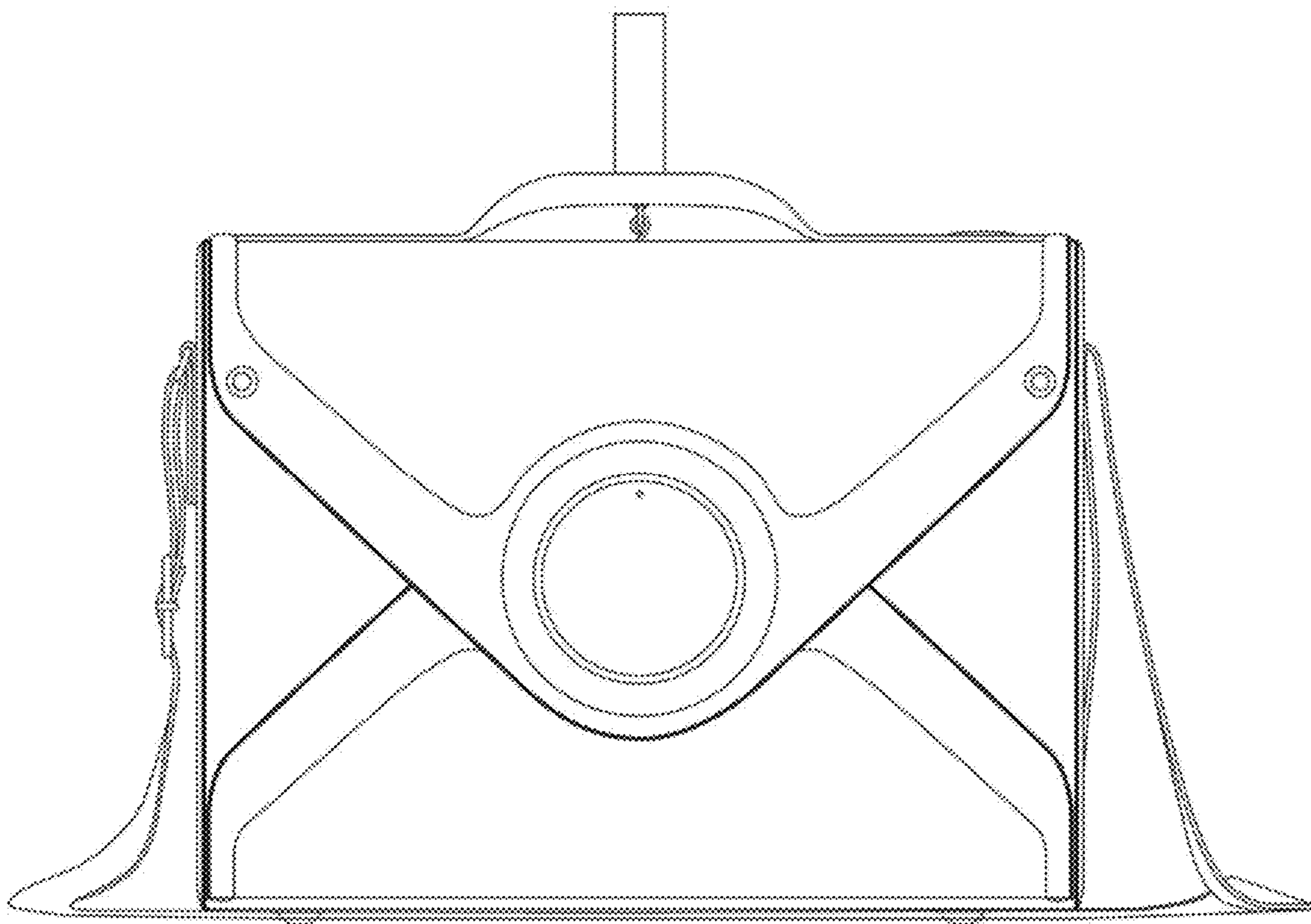
1.2



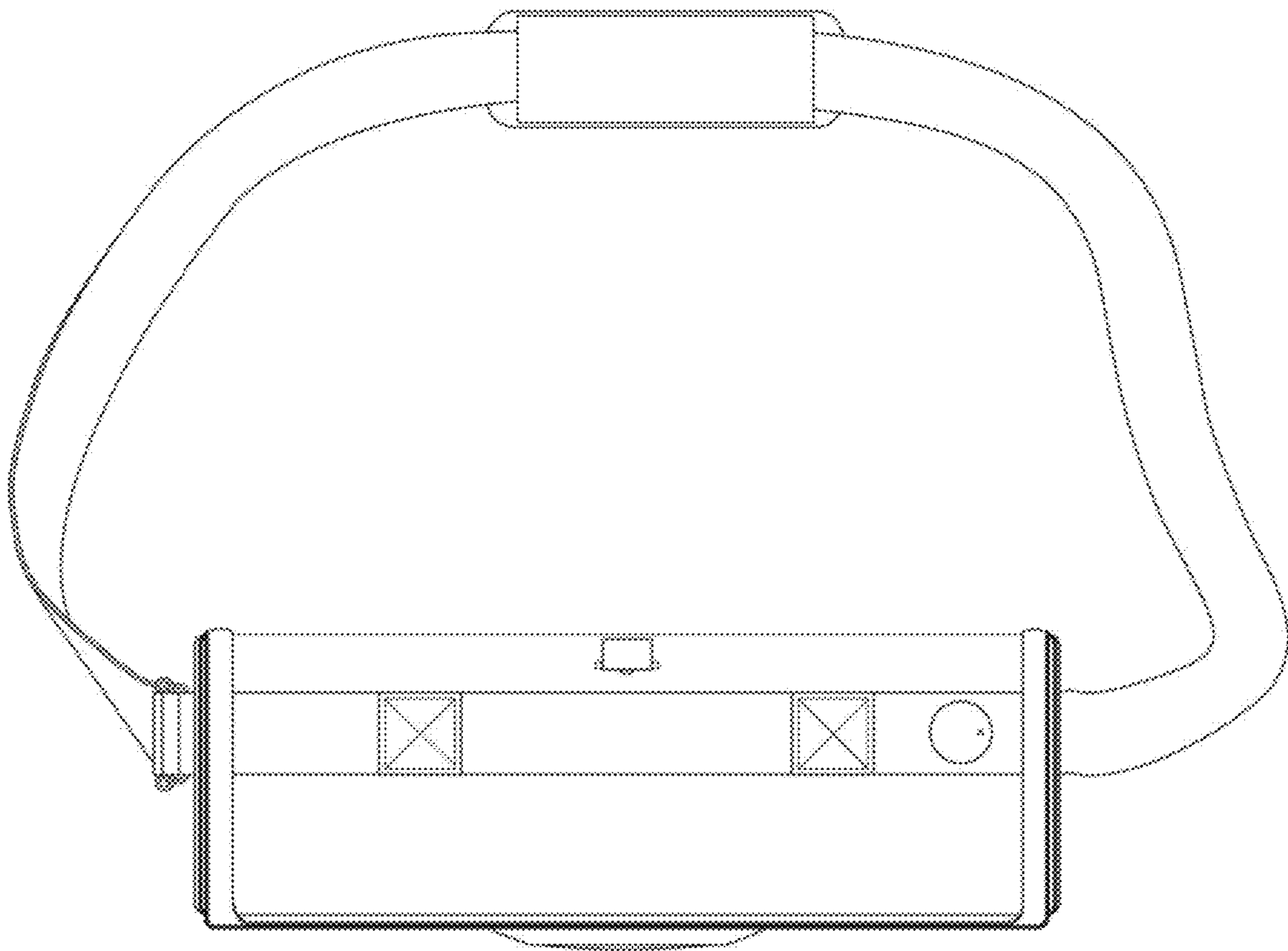
1.3



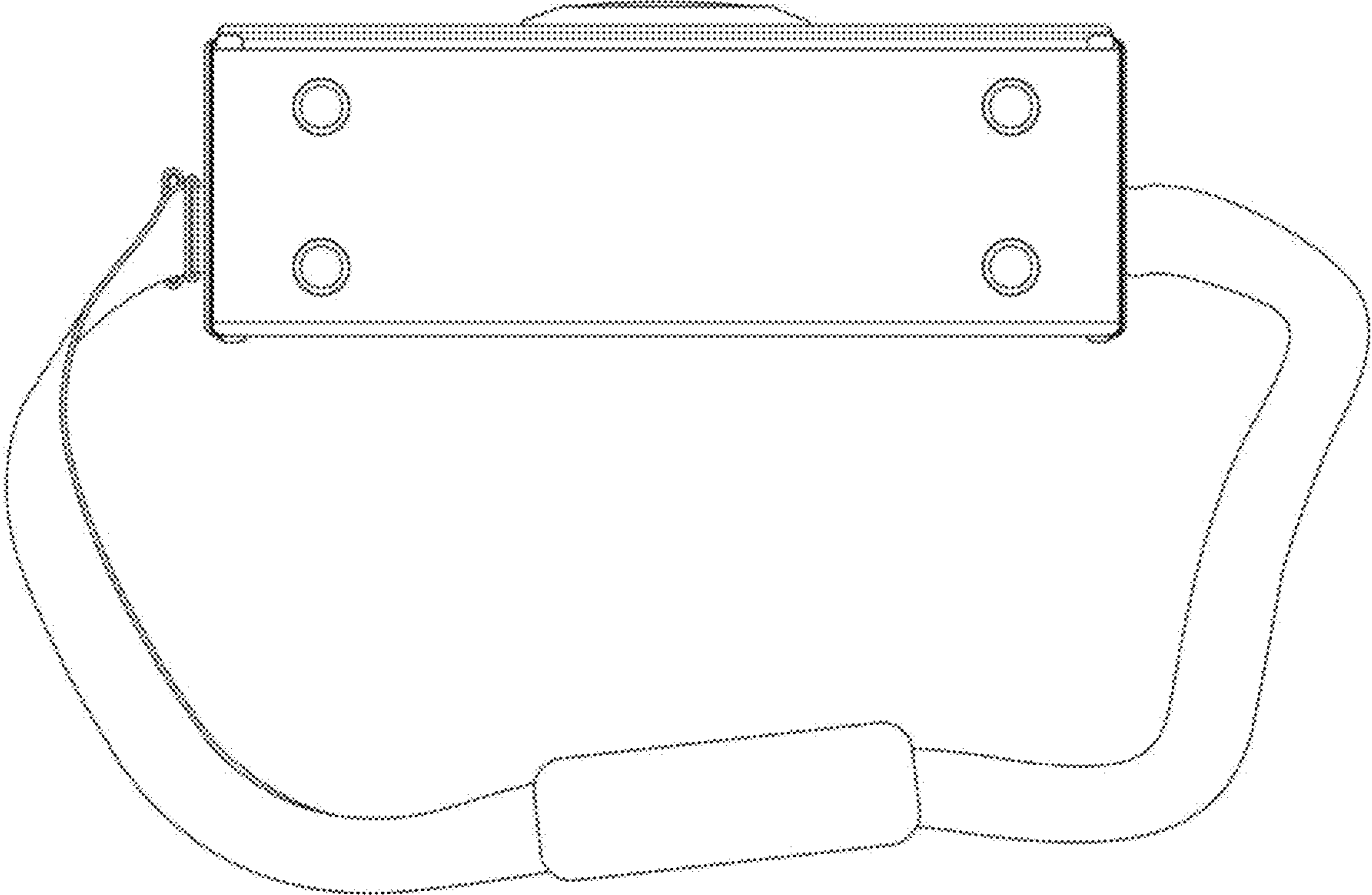
1.4



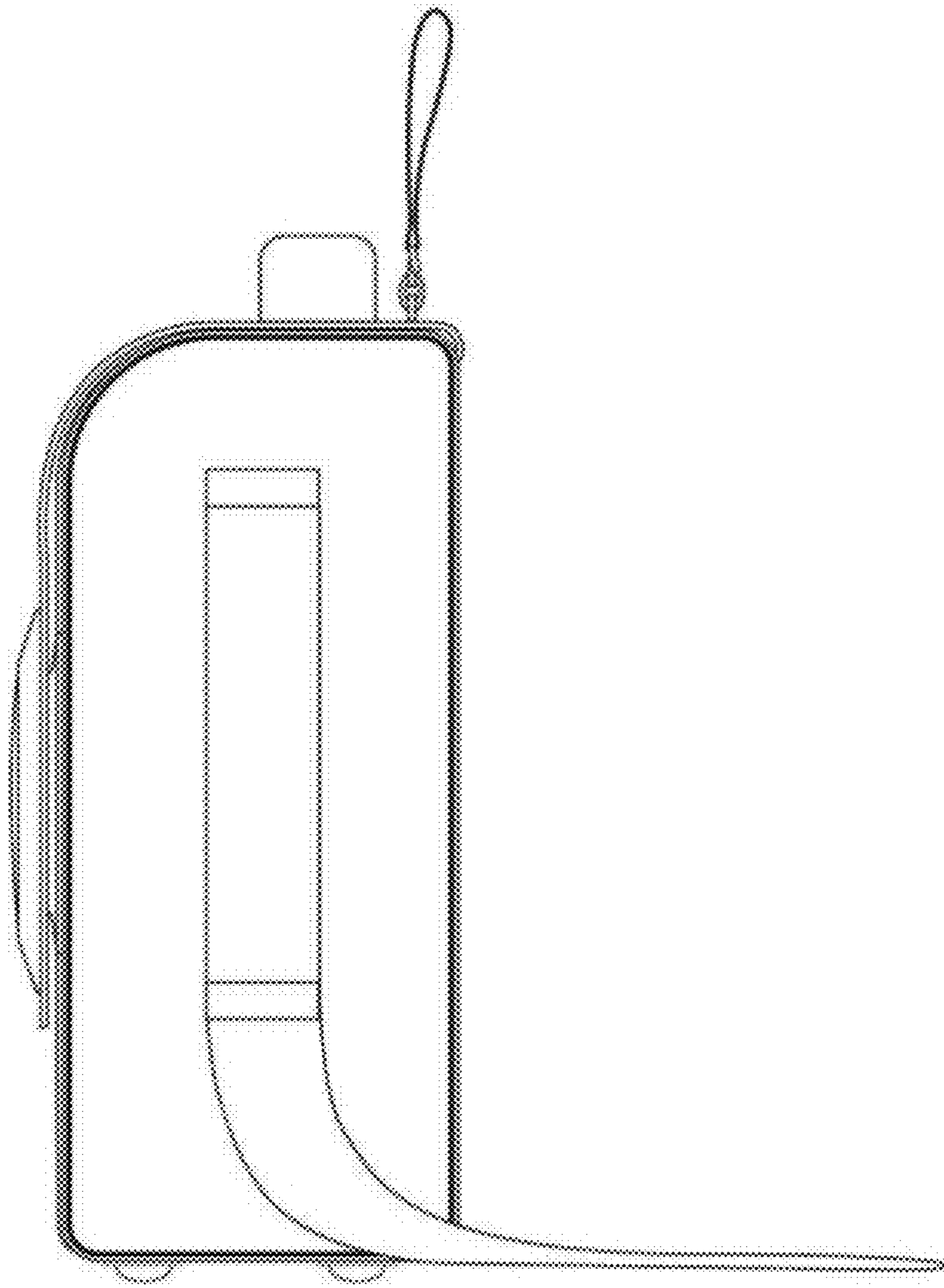
1.5



1.6



1.7



1.8

