



US00D831340S

(12) **United States Design Patent** (10) **Patent No.:** **US D831,340 S**
Pomerantz (45) **Date of Patent:** **** Oct. 23, 2018**

(54) **UTILITY ATHLETIC BELT**

(71) Applicant: **Fitletic Sports LLC**, Hallandale Beach, FL (US)

(72) Inventor: **Shifra Pomerantz**, Hallandale Beach, FL (US)

(73) Assignee: **FITLETIC SPORTS LLC**, Hallandale Beach, FL (US)

(**) Term: **15 Years**

(21) Appl. No.: **29/598,146**

(22) Filed: **Mar. 23, 2017**

Related U.S. Application Data

(63) Continuation-in-part of application No. 29/598,142, filed on Mar. 23, 2017, now Pat. No. Des. 819,962.

(51) **LOC (11) Cl.** **03-01**

(52) **U.S. Cl.**
USPC **D3/226**

(58) **Field of Classification Search**
USPC D3/221, 224, 226, 228; 224/219, 222, 224/267, 269, 236, 240-242, 245-246, 224/250-251, 253, 578-579, 660, 674, 224/677, 680, 683-684, 901, 904, 914, 224/919; D2/627-631
CPC A45F 3/005; A45F 3/14; A45F 5/00; A45F 5/02; A45F 5/021; A45F 2003/144; A45F 2200/05; A41F 9/00; A41F 9/02; A45C 11/00; A45C 11/22

See application file for complete search history.

(56) **References Cited**

U.S. PATENT DOCUMENTS

D333,729	S	*	3/1993	Hopp	D3/226
D384,808	S	*	10/1997	Carretta	D3/221
D458,021	S	*	6/2002	Willows	D3/226
6,698,636	B2	*	3/2004	Angus	A45F 3/00 224/660
D516,304	S	*	3/2006	Feldman	D3/218
D586,552	S	*	2/2009	Shumate	D3/221
D615,753	S	*	5/2010	Pomerantz	D3/221
D618,907	S	*	7/2010	Overton	A45F 3/14 D3/226
D630,841	S	*	1/2011	Pomerantz	D3/221
D802,915	S	*	11/2017	Willows	D3/226

* cited by examiner

Primary Examiner — Catherine R Oliver-Garcia

(57) **CLAIM**

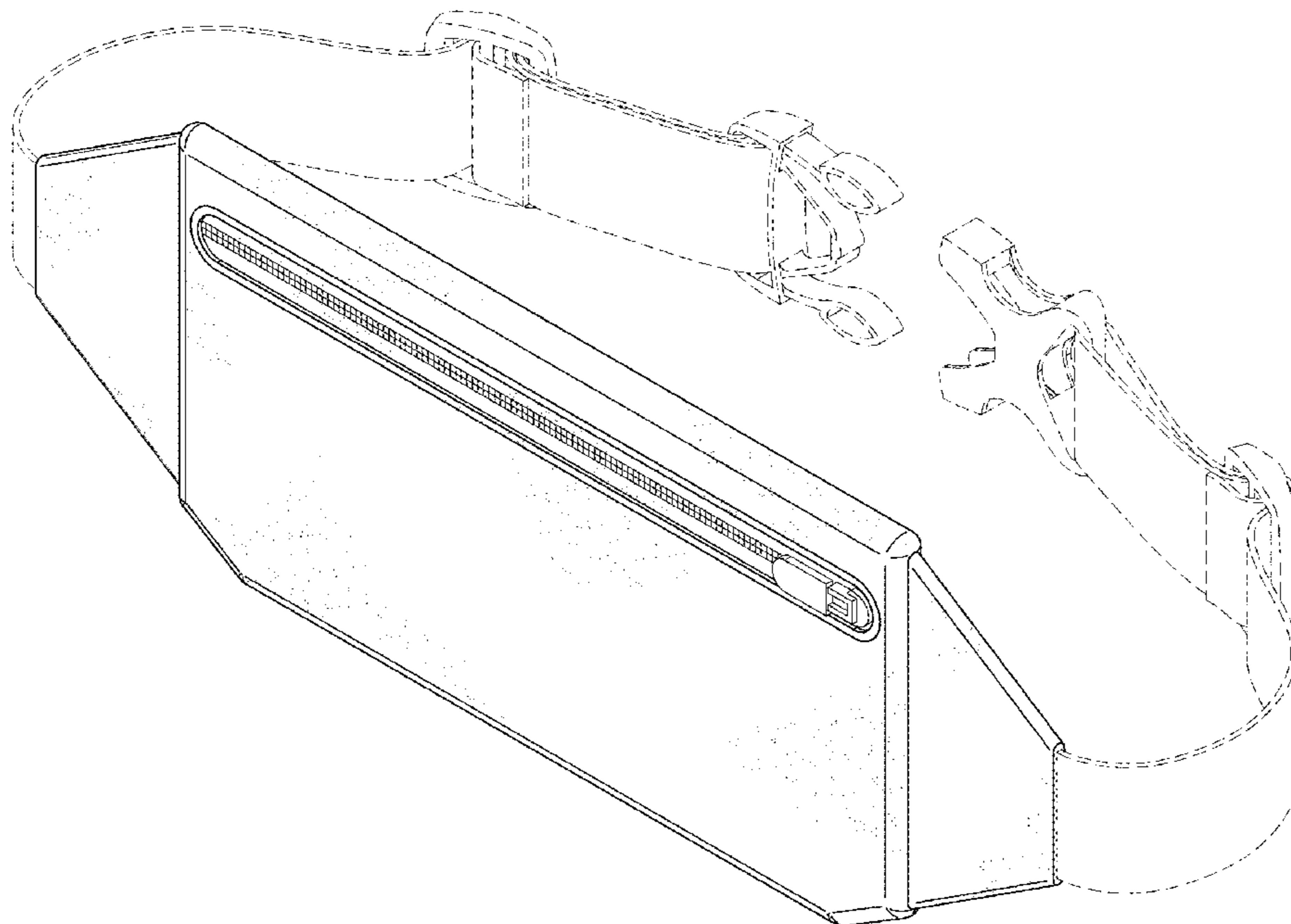
The ornamental design for a utility athletic belt, as shown and described.

DESCRIPTION

FIG. 1 is a top right perspective view of a utility athletic belt; FIG. 2 is a bottom left perspective view thereof; FIG. 3 is a top plan view thereof; FIG. 4 is a bottom plan view thereof; FIG. 5 is a front elevational view thereof; FIG. 6 is a rear elevational view thereof; FIG. 7 is a right side elevational view thereof; and, FIG. 8 is a left side elevational view thereof.

The broken line showing of straps and buckles is included for the purpose of illustrating environmental structure and forms no part of the claimed design.

1 Claim, 8 Drawing Sheets



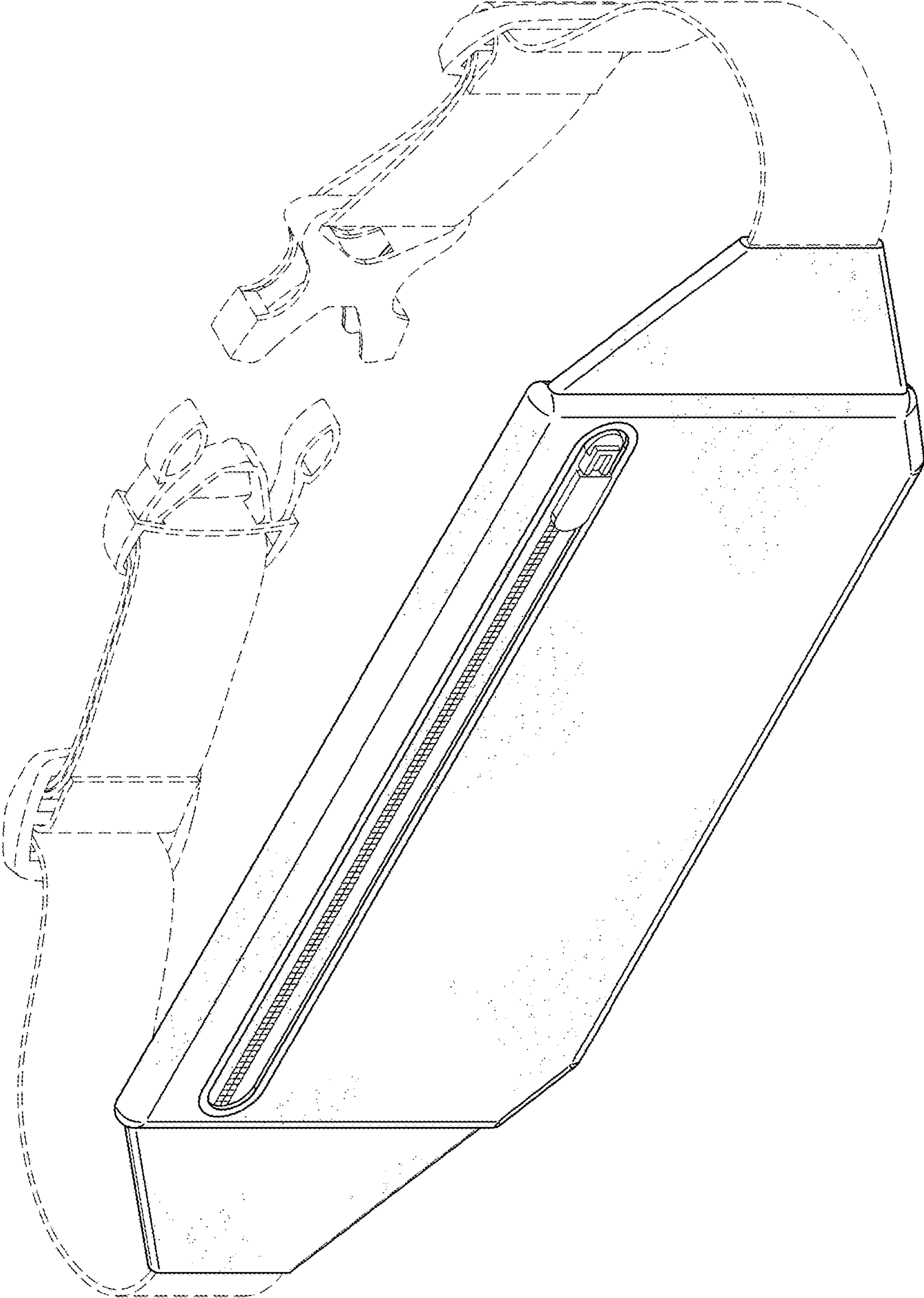


FIG. 1

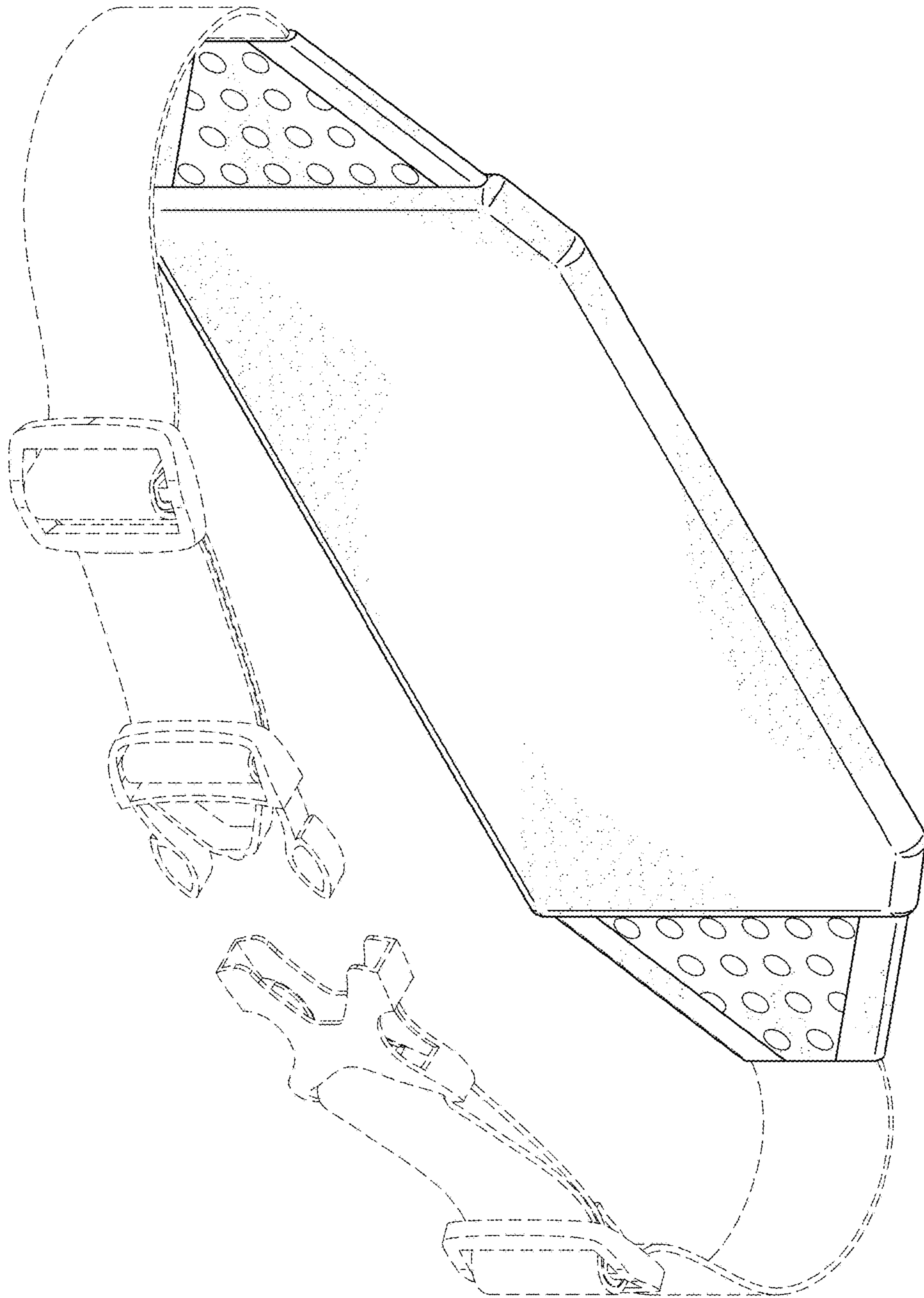


FIG. 2

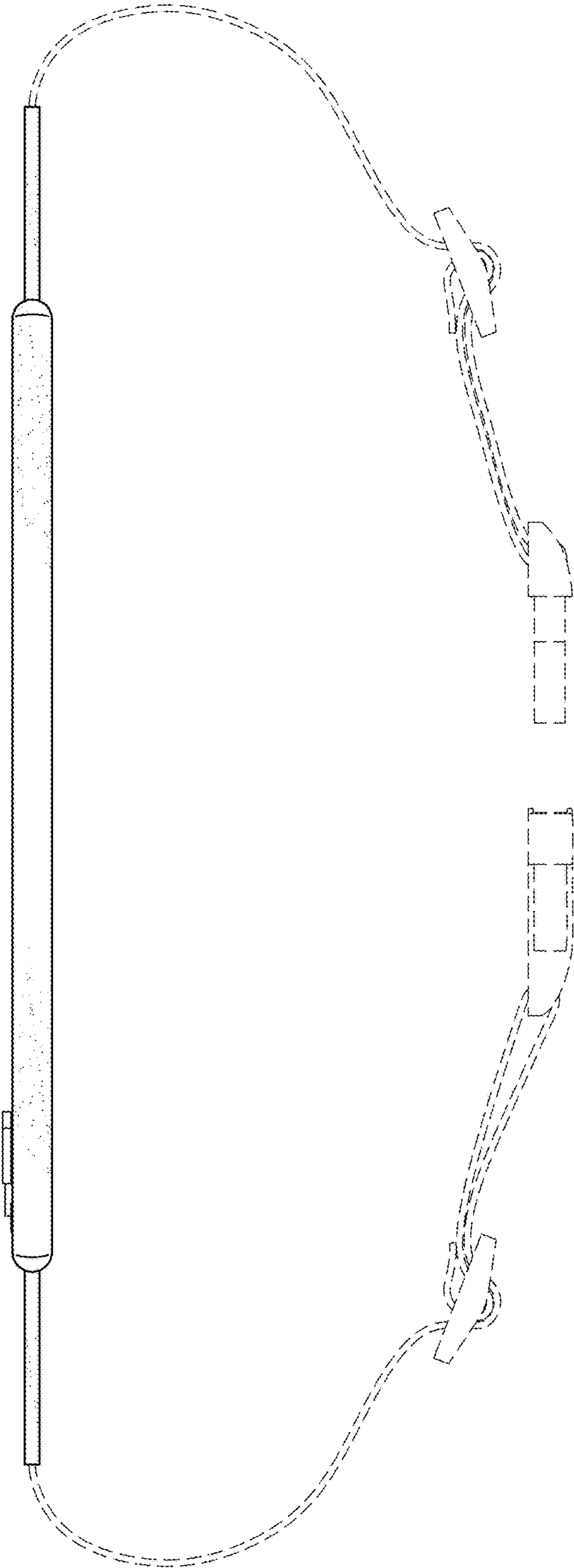


FIG. 3

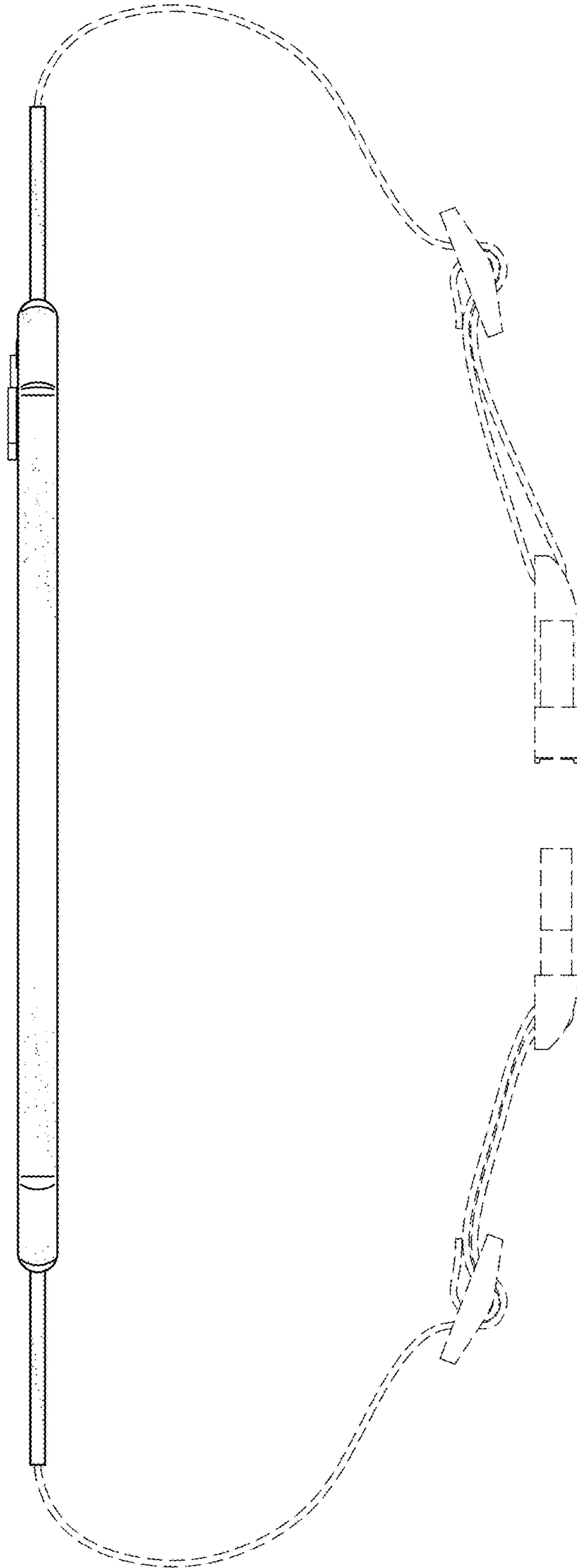


FIG. 4

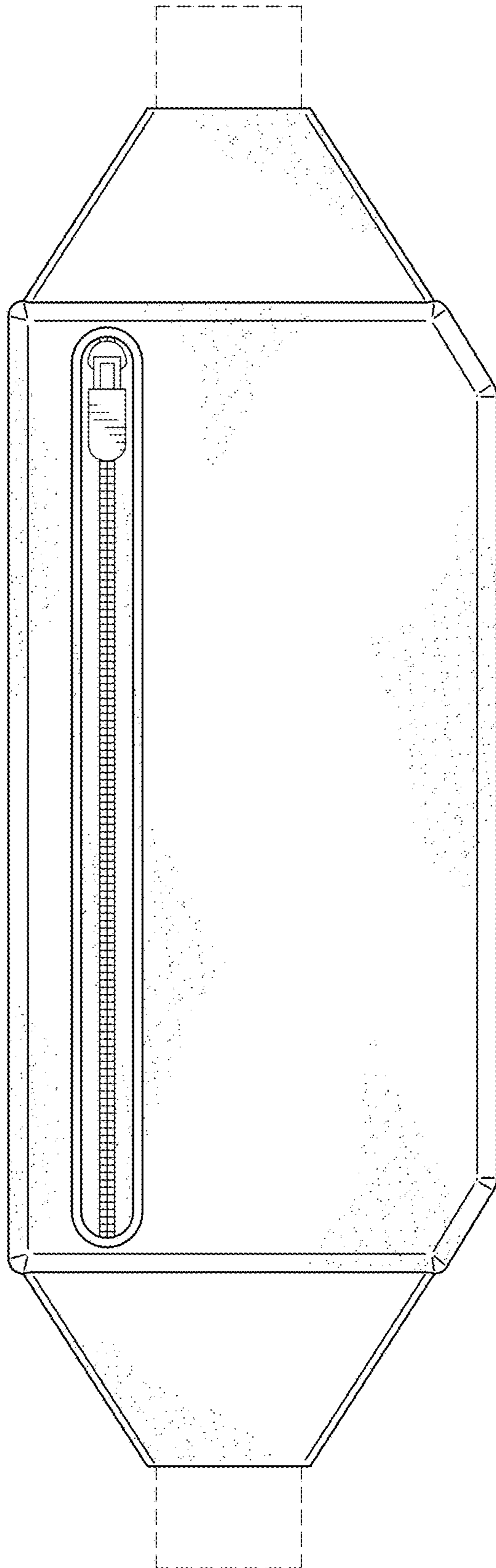


FIG. 5

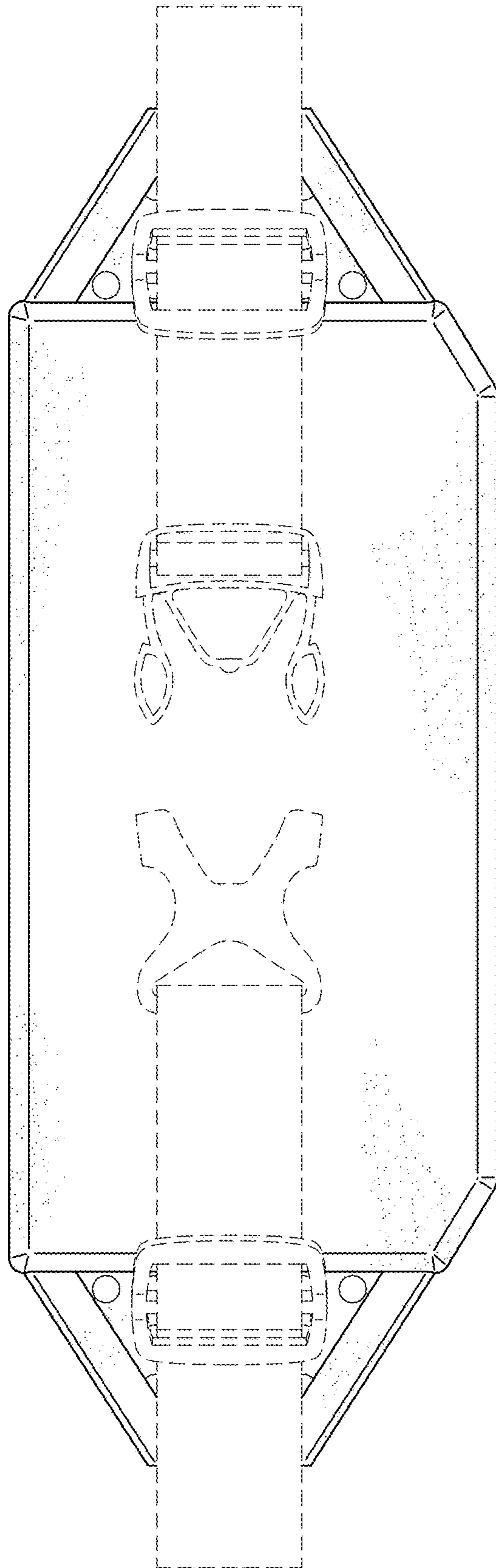


FIG. 6

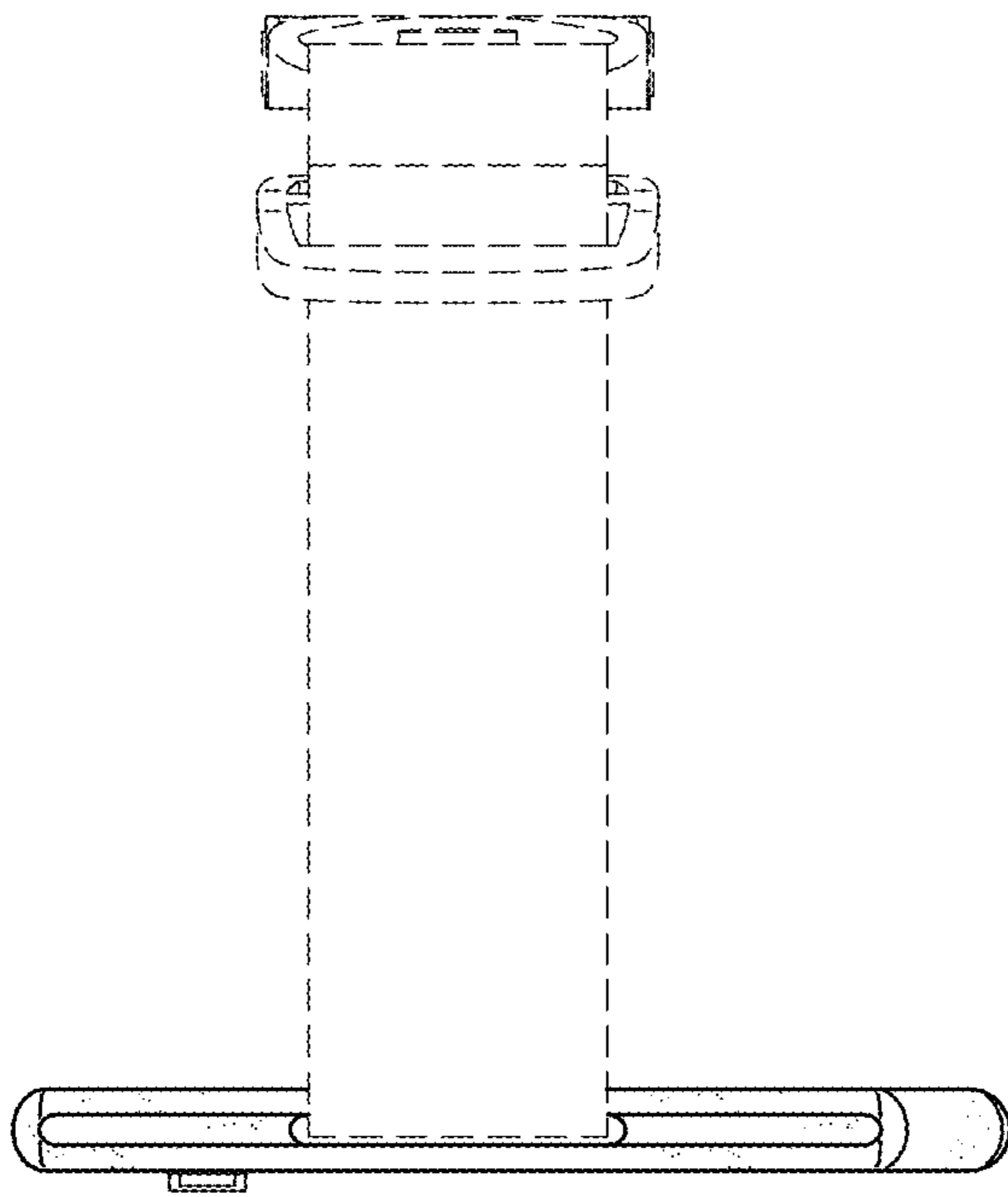


FIG. 7

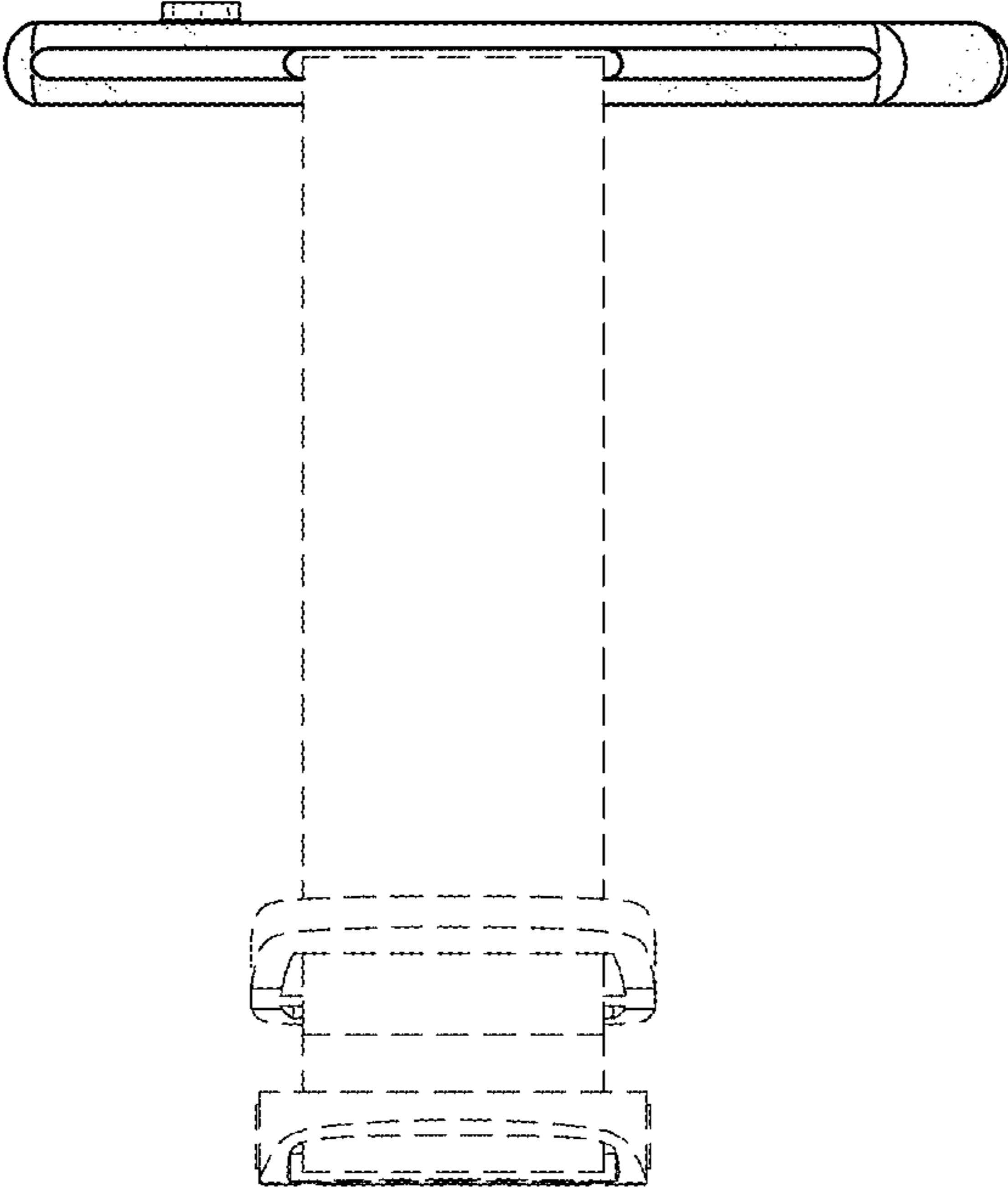


FIG. 8