



US00D831336S

(12) **United States Design Patent** (10) **Patent No.:** **US D831,336 S**
Brennan, Jr. (45) **Date of Patent:** **** Oct. 23, 2018**

(54) **HANDSET CLIP**

(56) **References Cited**

(71) Applicant: **SpectraLink Corporation**, Boulder, CO (US)

U.S. PATENT DOCUMENTS

(72) Inventor: **William R. Brennan, Jr.**, Longmont, CO (US)

D548,960 S *	8/2007	Tages	D3/218
D594,225 S *	6/2009	Leung	D3/218
D606,739 S *	12/2009	Fahrendorff	D3/218
D613,498 S *	4/2010	Tsai	D3/218
D644,428 S *	9/2011	Feng	D3/218
8,333,310 B2 *	12/2012	Tages	A45F 5/02 224/197

(73) Assignee: **SpectraLink Corporation**, Boulder, CO (US)

(**) Term: **15 Years**

* cited by examiner

(21) Appl. No.: **29/636,149**

Primary Examiner — Catherine R Oliver-Garcia
(74) *Attorney, Agent, or Firm* — Honigman Miller Schwartz and Cohn LLP

(22) Filed: **Feb. 6, 2018**

(57) **CLAIM**

The ornamental design for a handset clip, as shown and described.

Related U.S. Application Data

(62) Division of application No. 29/550,109, filed on Dec. 30, 2015, now Pat. No. Des. 812,370.

DESCRIPTION

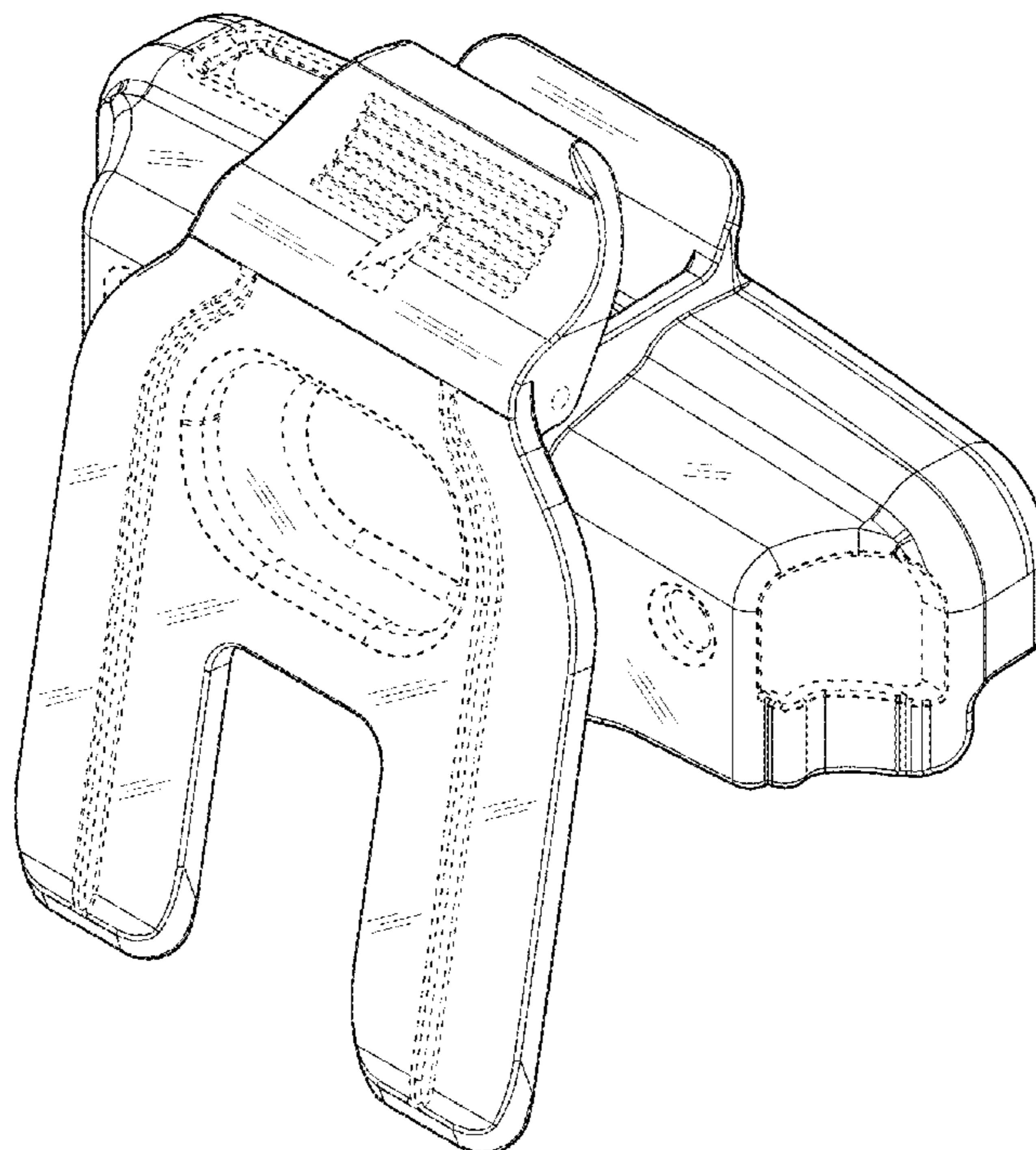
(51) **LOC (11) Cl.** **03-01**

(52) **U.S. Cl.**
USPC **D3/218**

(58) **Field of Classification Search**
USPC D3/218, 215, 219, 201, 269;
224/196-197, 269, 666, 668-669, 930;
379/445, 455; 248/442.2, 205.2, 918;
40/725, 776; 24/3.1, 3.12, 517
CPC A45F 5/02; A45F 5/021; A45F 2200/05;
A45F 2200/0508; A45F 2200/0516
See application file for complete search history.

FIG. 1 is a perspective view of a handset clip, showing my new design;
FIG. 2 is a front view thereof;
FIG. 3 is a rear view thereof;
FIG. 4 is a top plan view thereof;
FIG. 5 is a bottom plan view thereof;
FIG. 6 is a right side view thereof; and,
FIG. 7 is a left side view thereof.
The dashed lines in the drawings depict portions of the design that form no part of the claim.

1 Claim, 7 Drawing Sheets



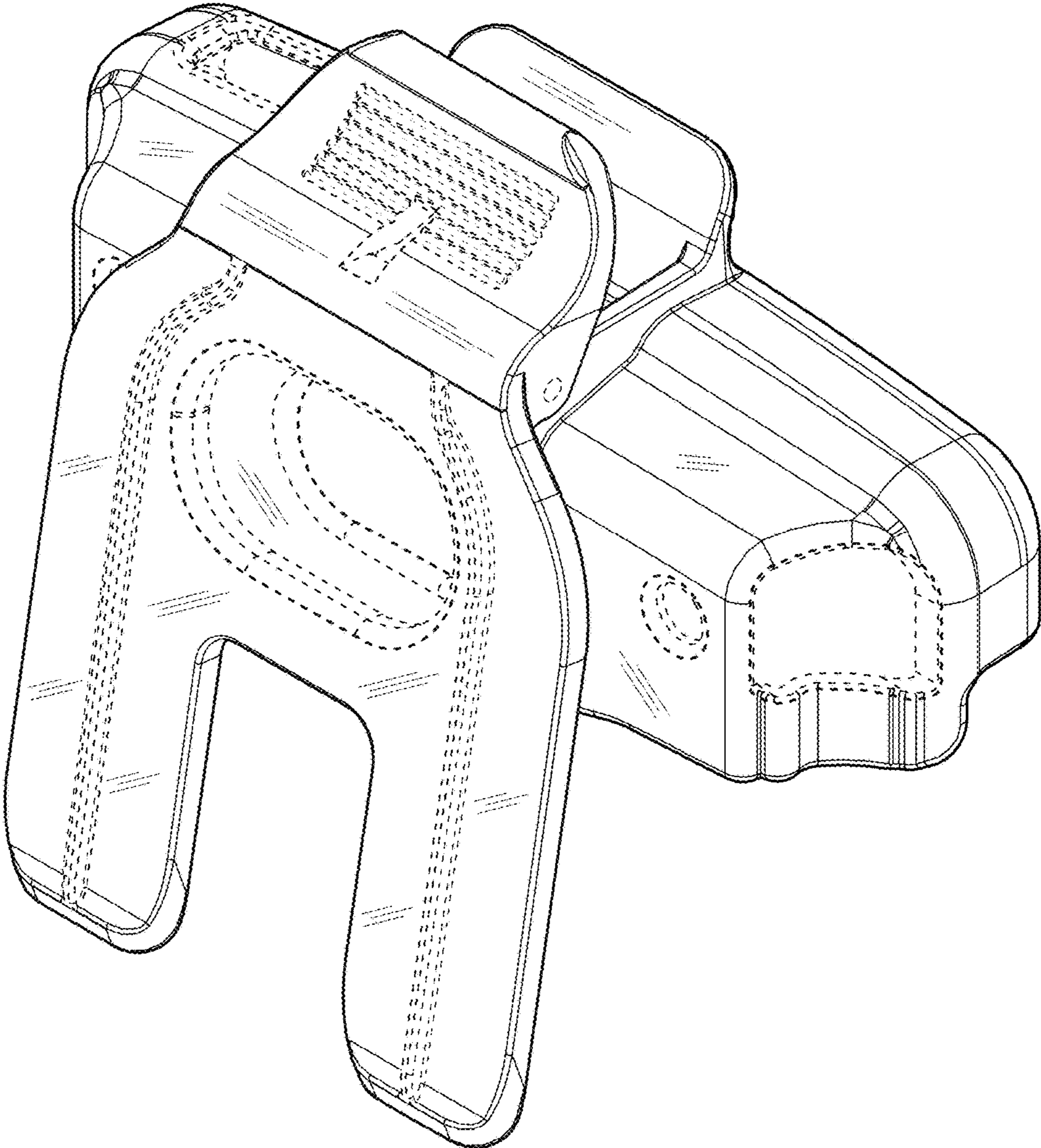


FIG. 1

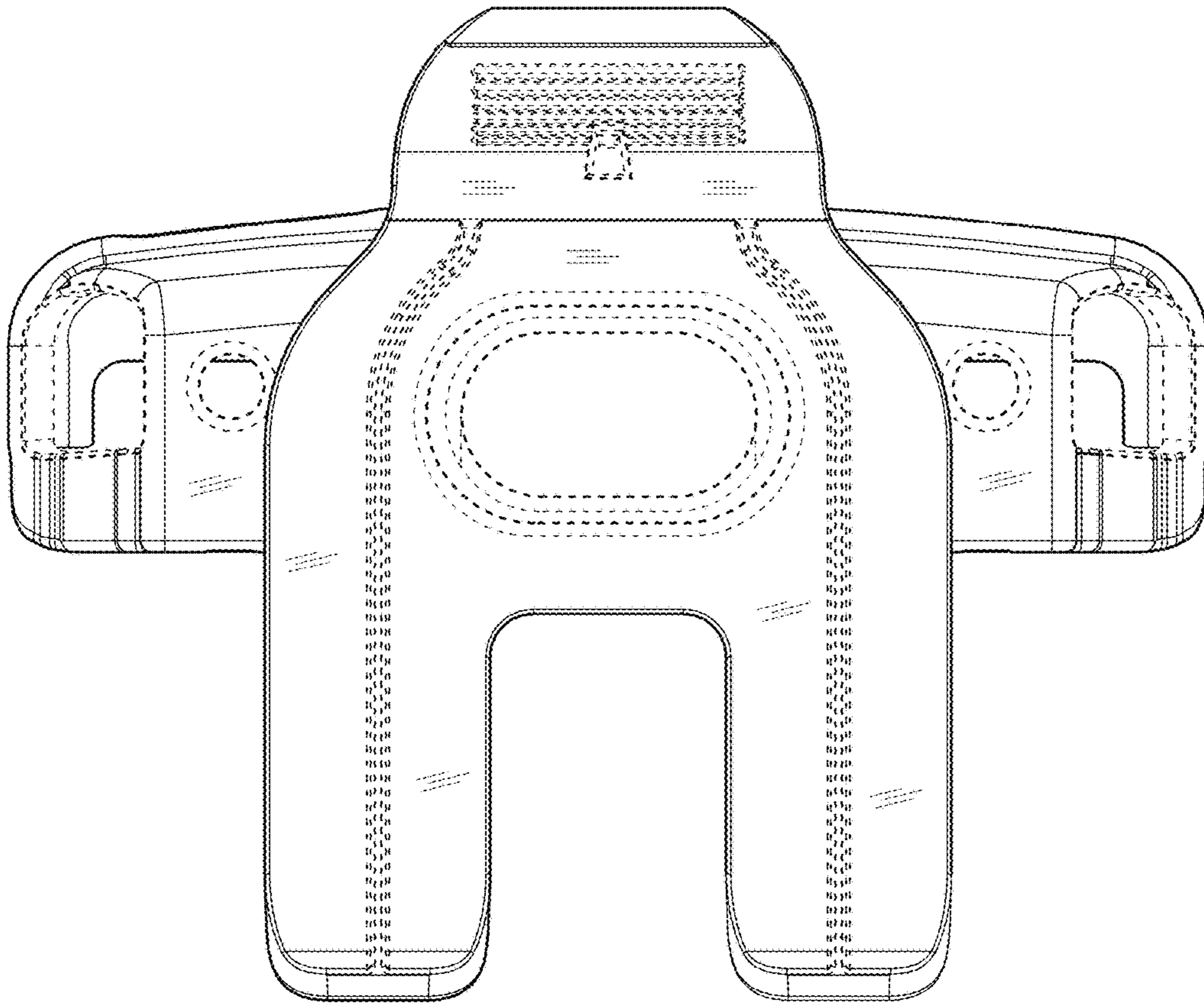


FIG. 2

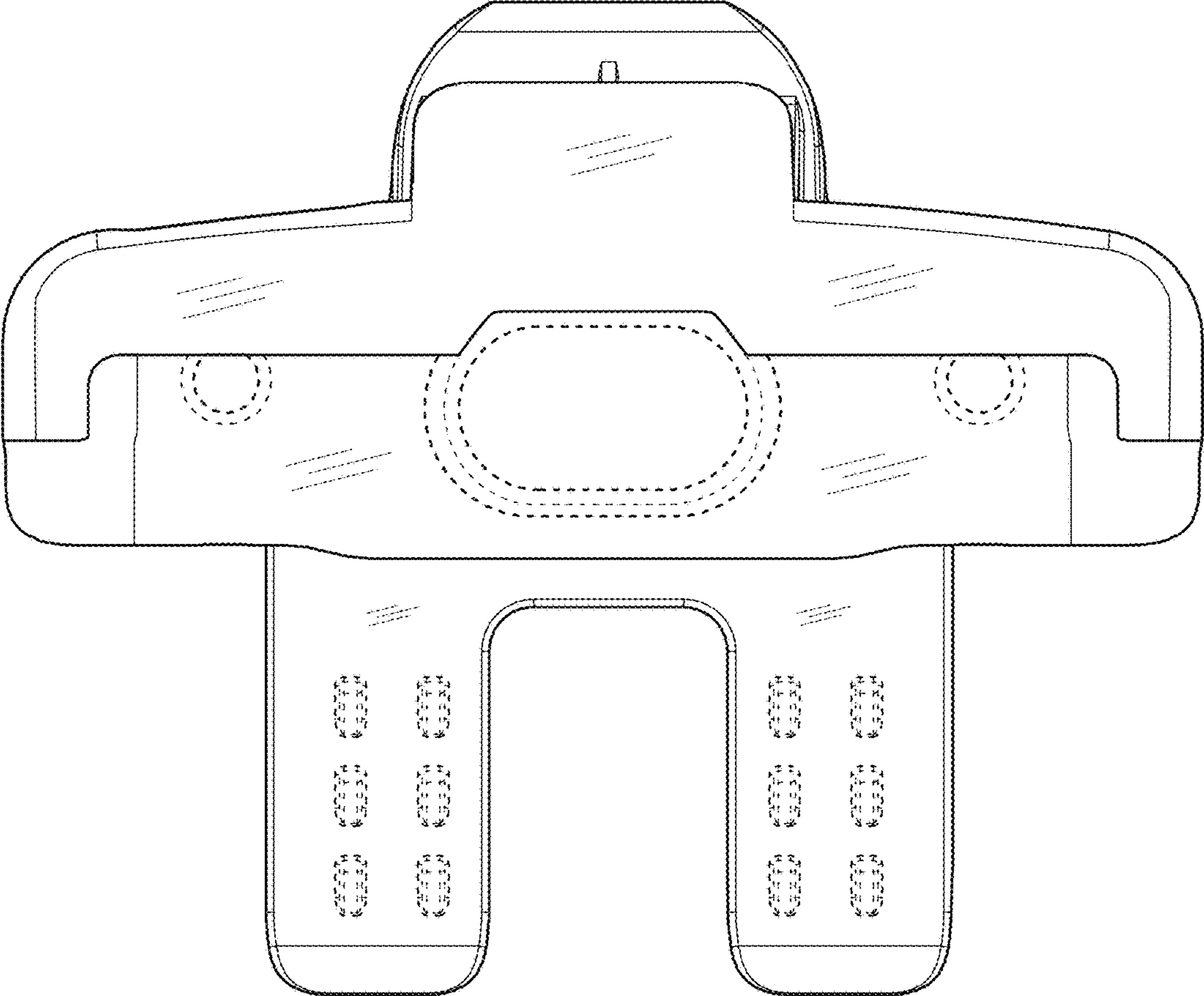


FIG. 3

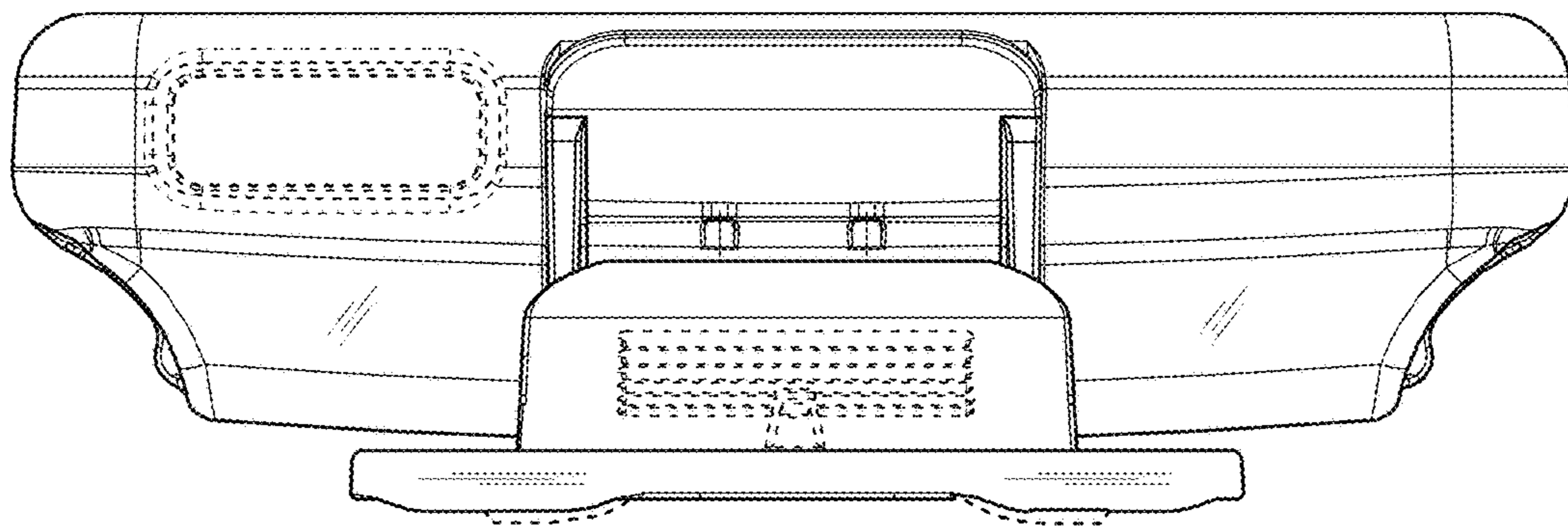


FIG. 4

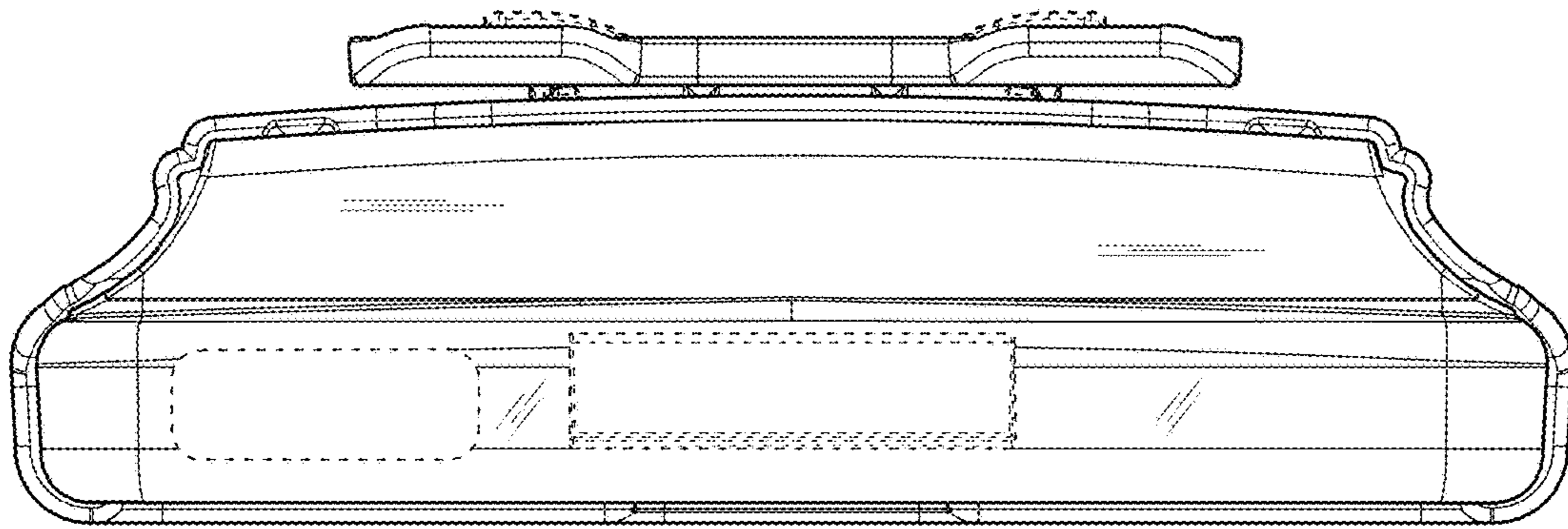


FIG. 5

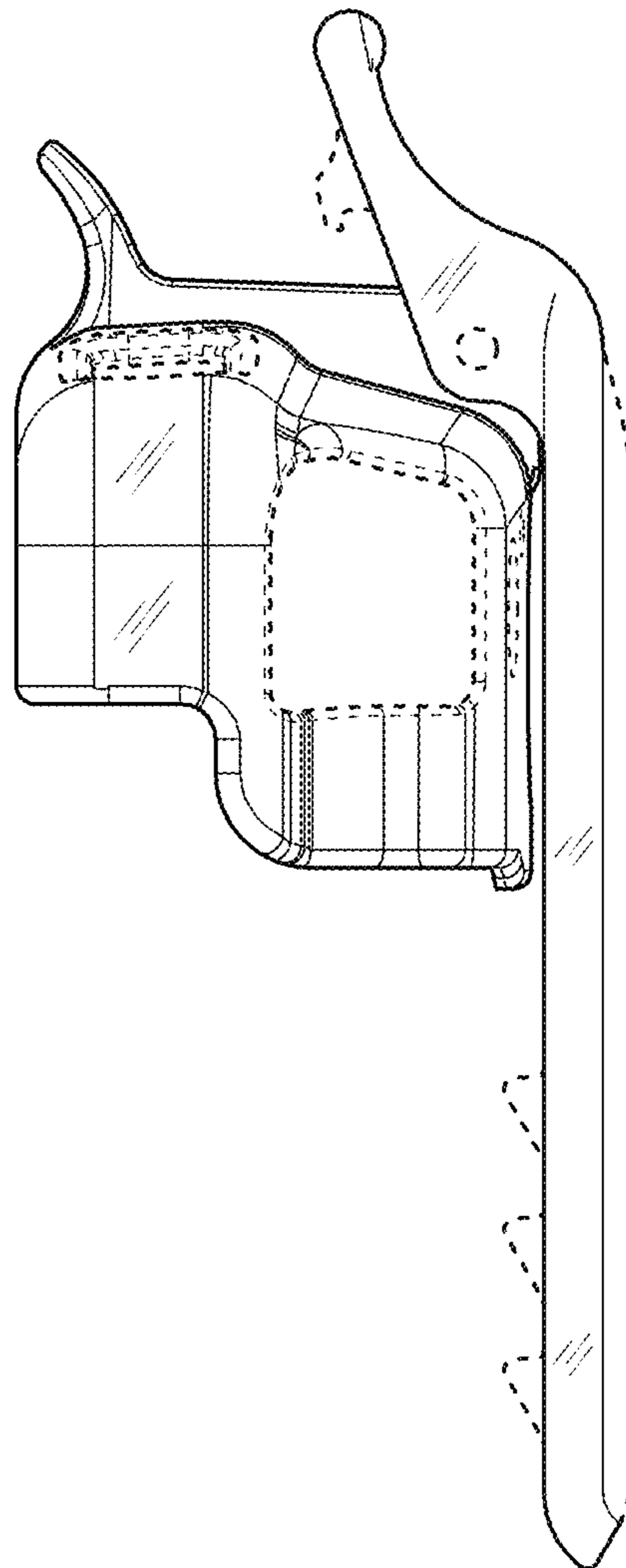


FIG. 6

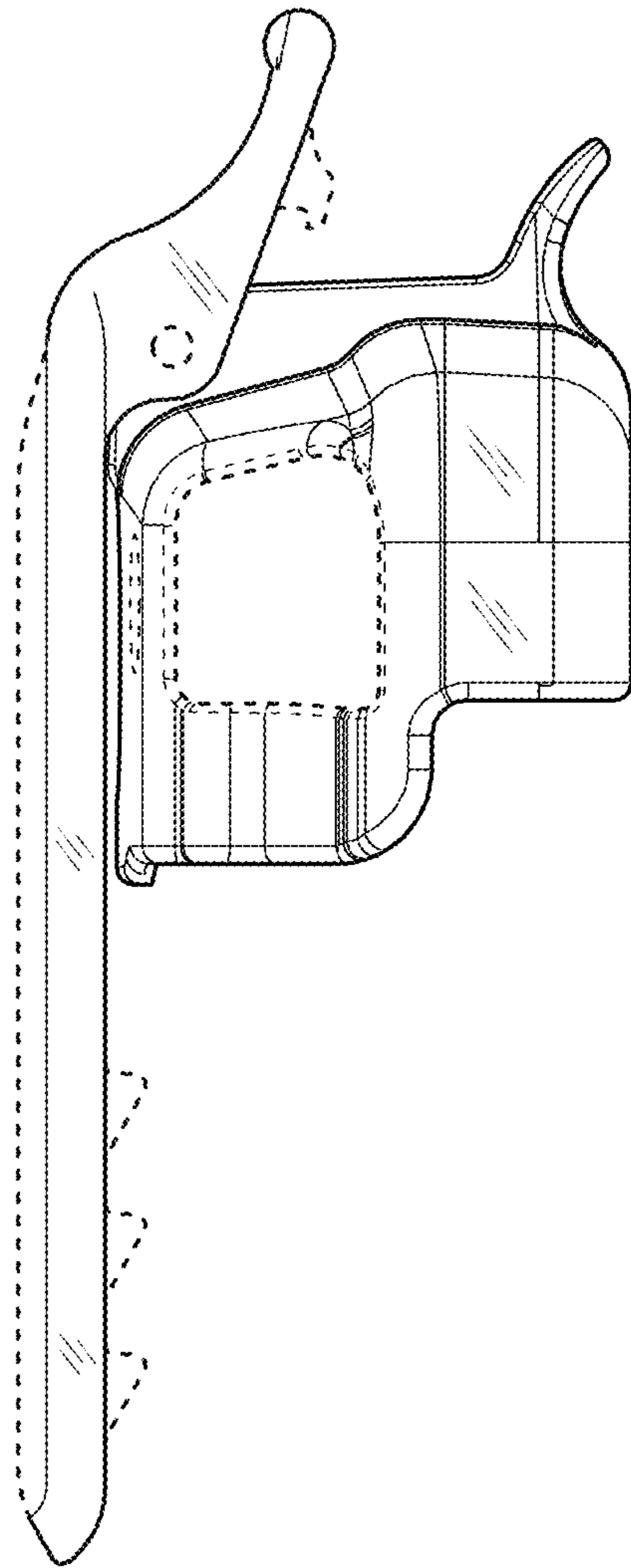


FIG. 7