



US00D831335S

(12) **United States Design Patent**
Crease

(10) **Patent No.:** **US D831,335 S**

(45) **Date of Patent:** **** Oct. 23, 2018**

(54) **BELT**
(71) Applicant: **Steven Campbell Crease**, Los Angeles, CA (US)
(72) Inventor: **Steven Campbell Crease**, Los Angeles, CA (US)

8,752,740 B2 * 6/2014 Morgan A45F 5/00
224/222
D710,598 S * 8/2014 Morgan D3/226
D759,958 S * 6/2016 Requa D3/218
D774,751 S * 12/2016 Pomerantz D3/218
9,743,743 B2 * 8/2017 Grote A45F 5/00
D806,381 S * 1/2018 Yu D3/218

(**) Term: **15 Years**

* cited by examiner

(21) Appl. No.: **29/612,738**

Primary Examiner — Catherine R Oliver-Garcia
(74) *Attorney, Agent, or Firm* — Dunlap Bennett & Ludwig PLLC

(22) Filed: **Aug. 3, 2017**

(51) **LOC (11) Cl.** **03-01**

(52) **U.S. Cl.**
USPC **D3/218**

(57) **CLAIM**

The ornamental design for a belt, as shown and described.

(58) **Field of Classification Search**
USPC D3/215, 218, 221, 224, 226, 228;
224/219, 222, 267, 269, 240–241, 268,
224/587, 666–667, 651, 673, 218, 637,
224/648, 652, 658, 662, 660, 684
CPC A45F 5/00; A45F 2005/008; A45C 1/04;
A45C 11/00; A45C 13/002; A45C 13/10;
A45C 2011/003; A45C 2013/1015; F21V
33/0004

DESCRIPTION

FIG. 1 is a front perspective view of a belt;
FIG. 2 is a front elevation view thereof;
FIG. 3 is a rear elevation view thereof;
FIG. 4 is a left side elevation view thereof;
FIG. 5 is a right side elevation view thereof;
FIG. 6 is a top elevation view thereof; and,
FIG. 7 is a bottom elevation view thereof.
The broken lines shown in the drawings depict an attachment mechanism and an earphone holder that form no part of the claimed invention.

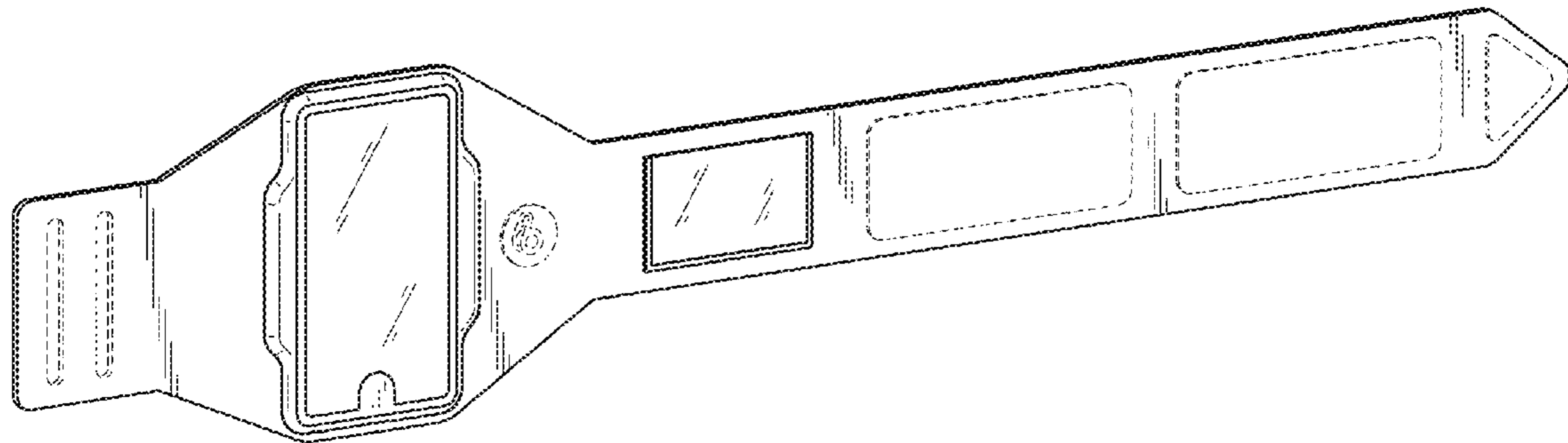
See application file for complete search history.

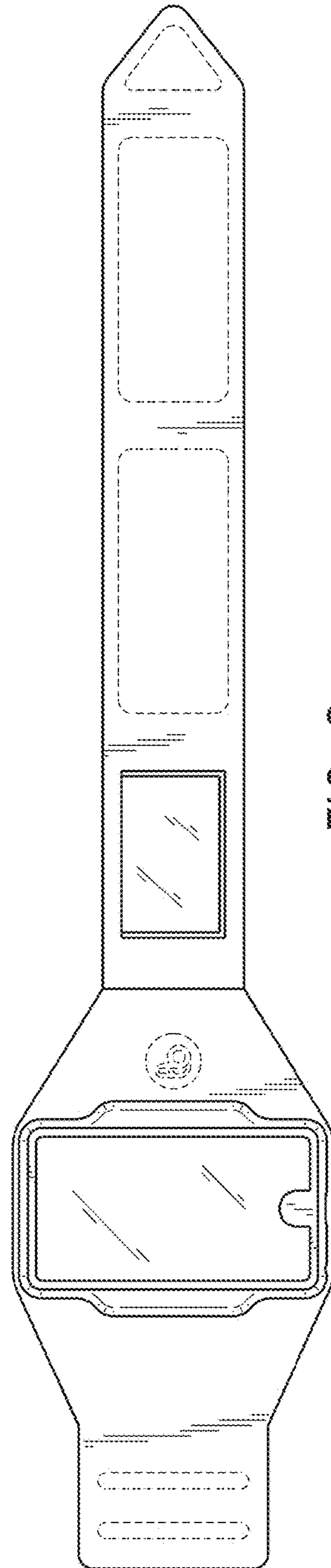
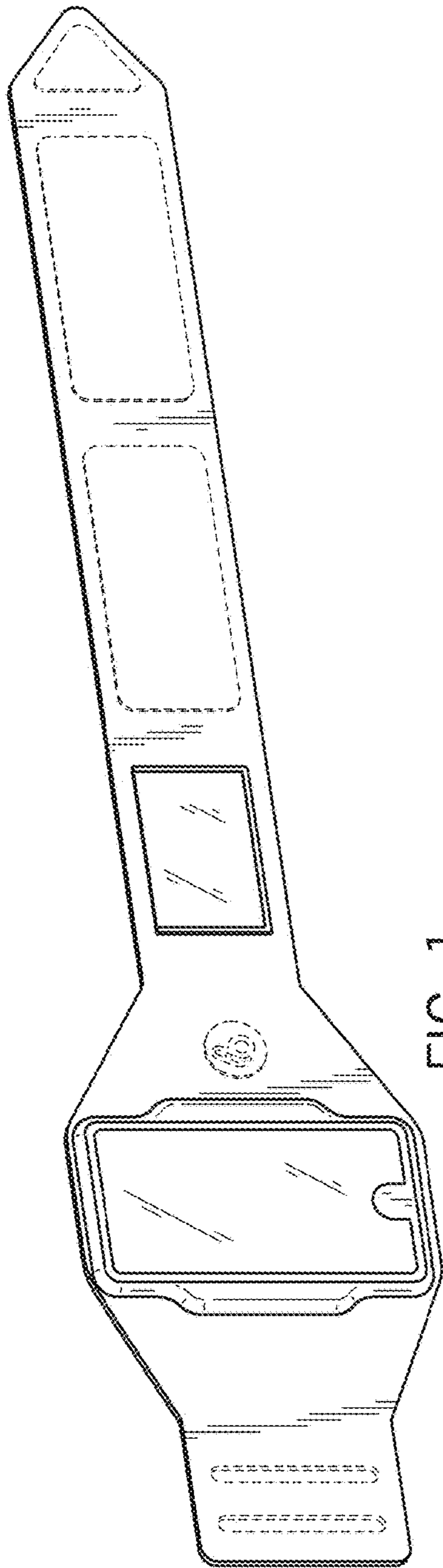
(56) **References Cited**

U.S. PATENT DOCUMENTS

D651,793 S * 1/2012 Willows D3/226
8,474,669 B2 * 7/2013 Rohrbach A45F 5/00
224/222

1 Claim, 3 Drawing Sheets





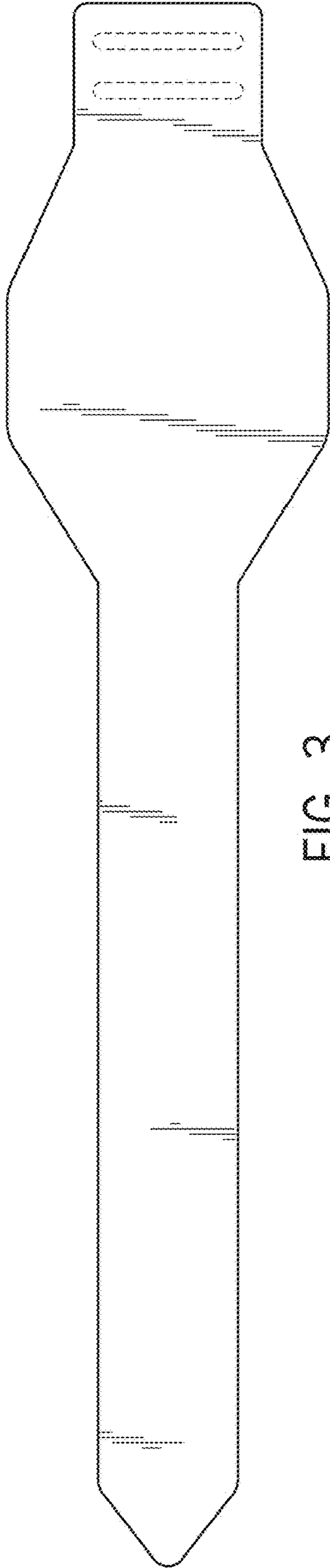


FIG. 3

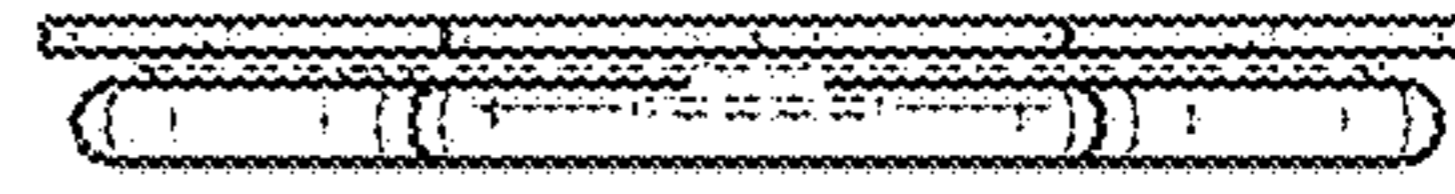


FIG. 5



FIG. 4



FIG. 6



FIG. 7