



US00D831330S

(12) **United States Design Patent**
Kim et al.

(10) **Patent No.:** **US D831,330 S**
(45) **Date of Patent:** **** Oct. 23, 2018**

(54) **MEDICATION PACKAGING COMBINED WITH DISPENSING CONTAINER**

(71) Applicant: **AbbVie Inc.**, North Chicago, IL (US)

(72) Inventors: **Lori Kim**, Green Oaks, IL (US);
Alexandra Breban-Lopez, Northbrook, IL (US); **Guy Upchurch**, Chicago, IL (US); **Bhimaprasad Medhal**, Lake Forest, IL (US); **Lewis Sita**, Kildeer, IL (US); **Dejan Bojicic**, Chicago, IL (US); **John G. Finch**, Vernon Hills, IL (US)

(73) Assignee: **AbbVie Inc.**, North Chicago, IL (US)

(**) Term: **15 Years**

(21) Appl. No.: **29/542,918**

(22) Filed: **Oct. 19, 2015**

(51) **LOC (11) Cl.** **03-01**

(52) **U.S. Cl.**
USPC **D3/203.1**

(58) **Field of Classification Search**
USPC D3/201, 203.1, 203.2, 203.3, 203.6,
D3/203.7, 203.8, 271.5
CPC B65D 83/0463; B65D 83/04; B65D
83/0445; A61J 1/035; A61J 7/04; A61J
7/0076

See application file for complete search history.

(56) **References Cited**

U.S. PATENT DOCUMENTS

D97,936 S * 12/1935 Neumann-Holste et al.
D28/83
3,911,606 A * 10/1975 Hunkins G09D 3/00
40/110
D324,819 S * 3/1992 Eisenberg D24/229
5,785,180 A * 7/1998 Dressel B65D 75/327
206/469
5,878,888 A * 3/1999 Faughey B65D 75/327
206/530

6,273,260 B1 * 8/2001 ColDepietro A61J 1/035
206/459.5
6,659,280 B2 * 12/2003 Paliotta B65D 75/327
206/469
D485,979 S * 2/2004 Chue D3/203.2
(Continued)

FOREIGN PATENT DOCUMENTS

EP 1964788 A1 9/2008
EP 1349727 B1 12/2010
WO 2011029422 A2 3/2011

Primary Examiner — John Windmuller

Assistant Examiner — Steven J Czyz

(74) *Attorney, Agent, or Firm* — Armstrong Teasdale LLP

(57) **CLAIM**

The ornamental design for a medication packaging combined with dispensing container, substantially as shown and described.

DESCRIPTION

FIGS. 1-8 are various views of a medication packaging combined with dispensing container in accordance with the present design. The container is adapted to contain a plurality of doses of medication therein.

FIG. 1 is a front perspective view of a medication packaging combined with dispensing container shown in a closed position;

FIG. 2 is a front elevation view thereof;

FIG. 3 is a rear elevation view thereof;

FIG. 4 is a right side elevational view thereof;

FIG. 5 is a left side elevation view thereof;

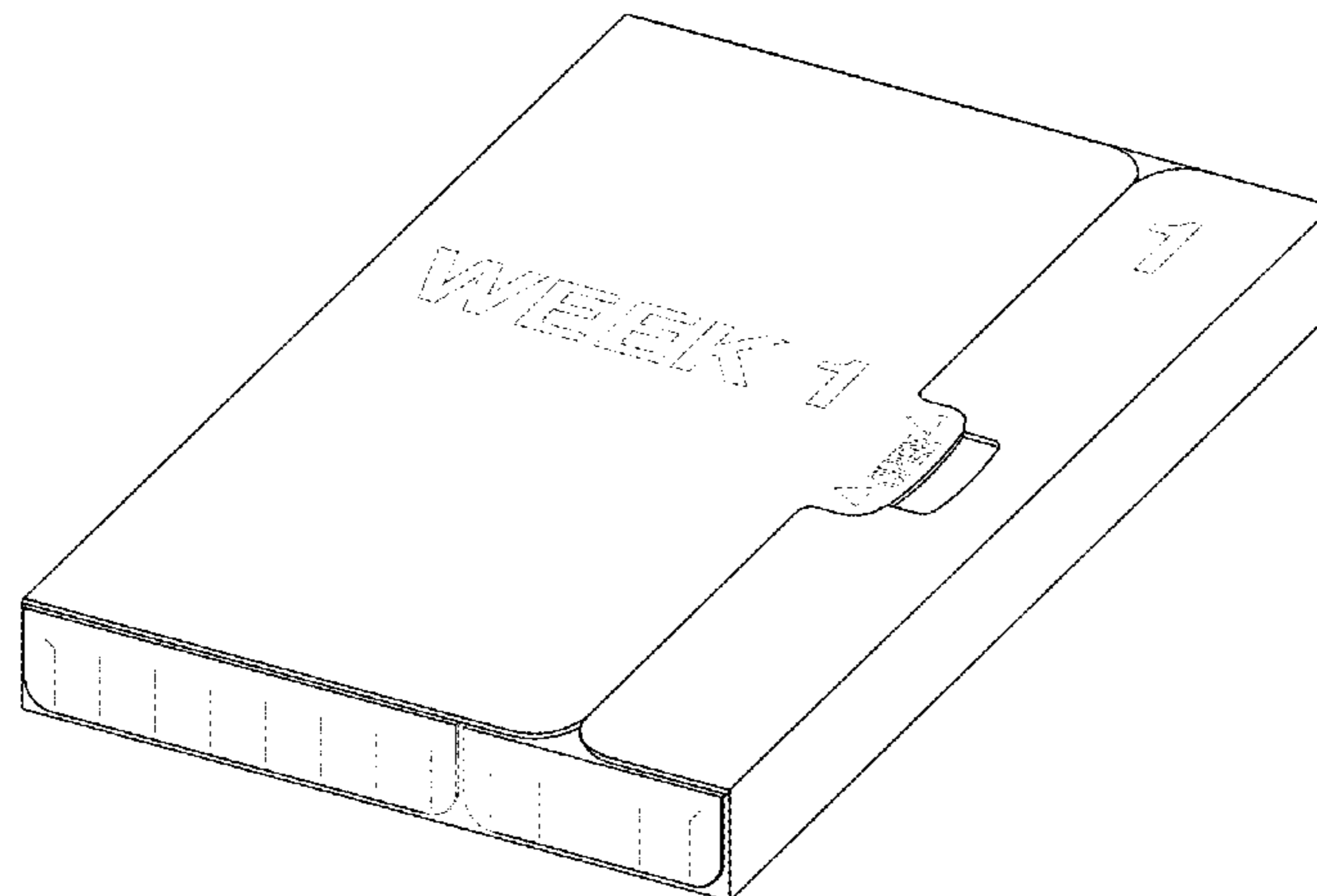
FIG. 6 is a top view thereof;

FIG. 7 is a bottom view thereof; and,

FIG. 8 is a front perspective view of the medication packaging combined with dispensing container shown in an open position for ease of disclosure.

The broken lines depict portions of the article that form no part of the claimed design.

1 Claim, 8 Drawing Sheets



(56)

References Cited

U.S. PATENT DOCUMENTS

6,951,282 B2 *	10/2005	Jones	B65D 75/367	206/469	D700,773 S *	3/2014	Lupkas	D3/203.2
D514,308 S *	2/2006	Wahl	D3/203.2		8,672,134 B2 *	3/2014	Sprada	B65D 83/0463
D525,024 S *	7/2006	Fridie	D3/201						206/1.5
7,243,798 B2 *	7/2007	Buss	B65D 75/327	206/469	D719,216 S *	12/2014	Jansen	D19/33
D570,095 S *	6/2008	Ullersted	D3/203.2		8,991,607 B2	3/2015	Wagner et al.		
7,401,702 B2 *	7/2008	Hession	B65D 75/327	206/531	D772,559 S *	11/2016	Binder	D3/203.6
7,497,331 B2 *	3/2009	Pham	B32B 3/266	206/528	D787,812 S *	5/2017	Ganesan	D3/203.3
D612,594 S *	3/2010	Wade	D3/203.2		2003/0168376 A1 *	9/2003	Taneja	B65B 9/045
7,699,173 B2	4/2010	Hession et al.								206/534
D621,151 S *	8/2010	Richardson	D3/203.1		2004/0188312 A1 *	9/2004	Stepowany	B65D 75/327
7,780,007 B2 *	8/2010	Baker	B65D 83/0463	206/462					206/531
7,891,492 B2 *	2/2011	Wenninger	B65B 11/50	206/469	2008/0200321 A1 *	8/2008	Bittner	B65D 75/327
7,905,355 B2	3/2011	Williams-Hartman								493/53
8,011,512 B2 *	9/2011	Brollier	A61J 1/035	206/1.5	2009/0038982 A1 *	2/2009	Doucet	B65D 83/0463
8,091,708 B2 *	1/2012	Loftin	A61J 1/035	206/528					206/531
8,205,752 B2 *	6/2012	Sack	B65D 83/04	206/1.5	2009/0242451 A1 *	10/2009	Kessler	B65D 75/327
8,317,017 B2 *	11/2012	Edwards	B65D 5/0254	206/232					206/531
8,342,330 B2 *	1/2013	Weston	B65D 83/0463	206/1.5	2010/0012544 A1 *	1/2010	Paliotta	B65D 75/14
D680,318 S *	4/2013	Denzinger	D3/203.2						206/462
8,607,982 B2 *	12/2013	Jones	B65D 73/0092	206/531	2011/0215022 A1 *	9/2011	Sack	B65D 83/04
8,640,917 B2 *	2/2014	Kracke	B65D 83/0463	206/531					206/531
						2012/0012497 A1 *	1/2012	Weston	B65D 83/0463
										206/531
						2012/0160735 A1	6/2012	Waidelich		
						2014/0001194 A1 *	1/2014	Pipes	B65D 83/0463
										221/1
						2014/0027341 A1 *	1/2014	Ludwig	B65D 77/042
										206/536
						2014/0262839 A1 *	9/2014	Le	B65D 83/0463
										206/1.5
						2015/0014203 A1 *	1/2015	Upchurch	A61J 1/035
										206/462
						2016/0143809 A1 *	5/2016	Webster	A61J 1/035
										206/531
						2017/0014306 A1 *	1/2017	Rousselet	B65D 75/327
						2017/0081098 A1 *	3/2017	Vercoe	A61J 7/04
						2017/0112719 A1 *	4/2017	O'Dwyer	A61J 1/035

* cited by examiner

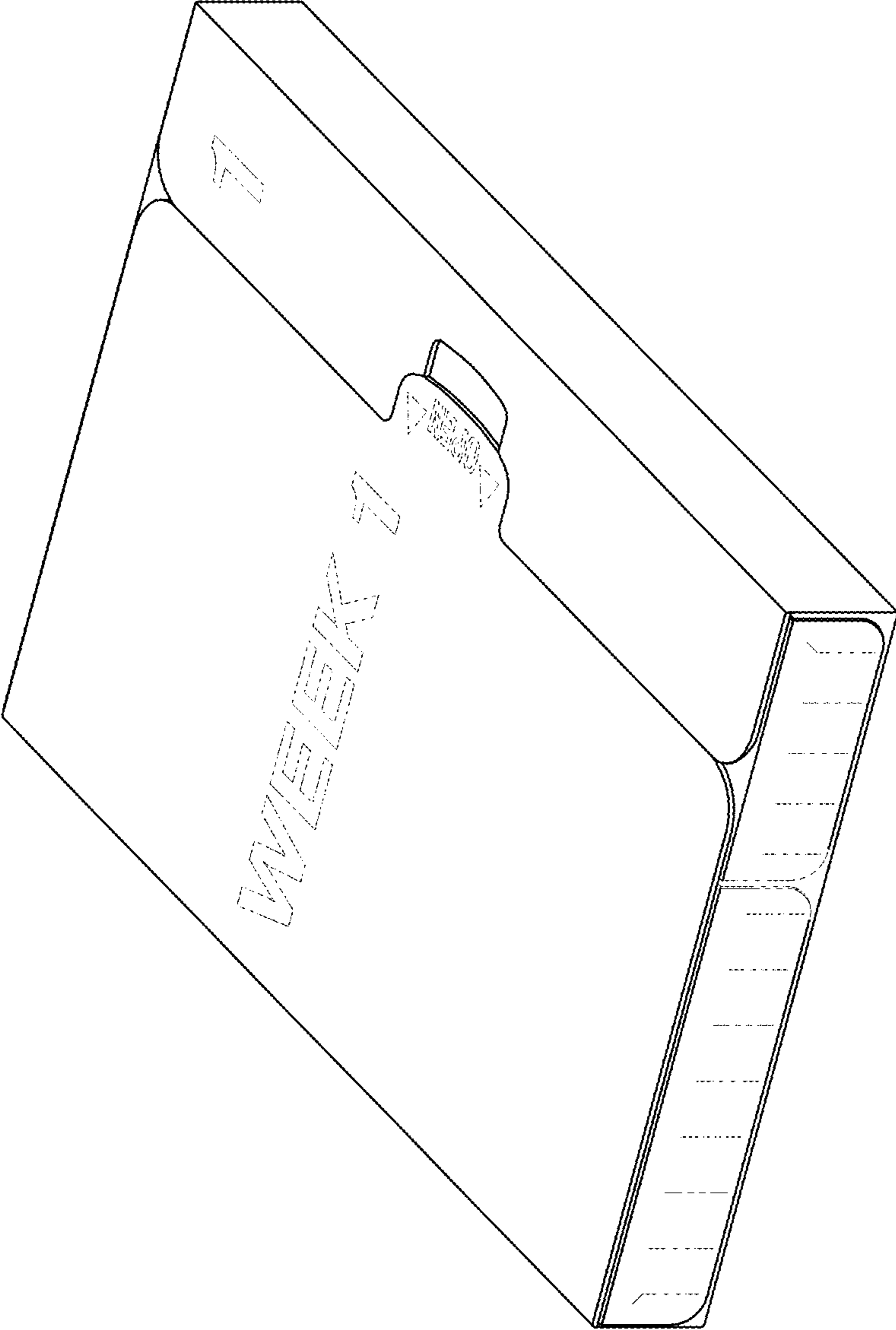


FIG. 1

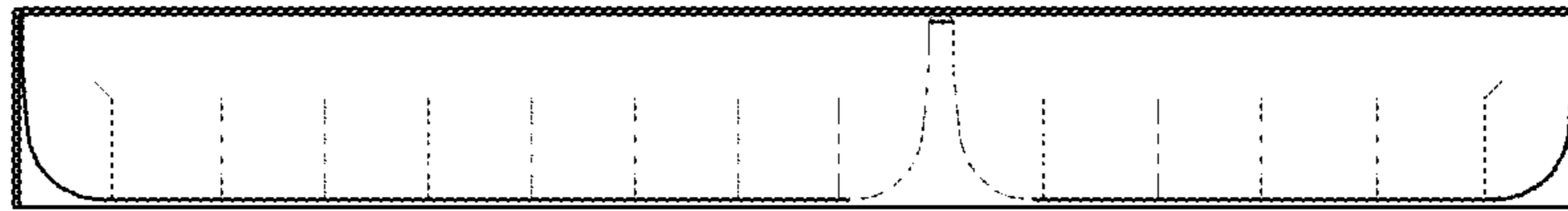


FIG. 2

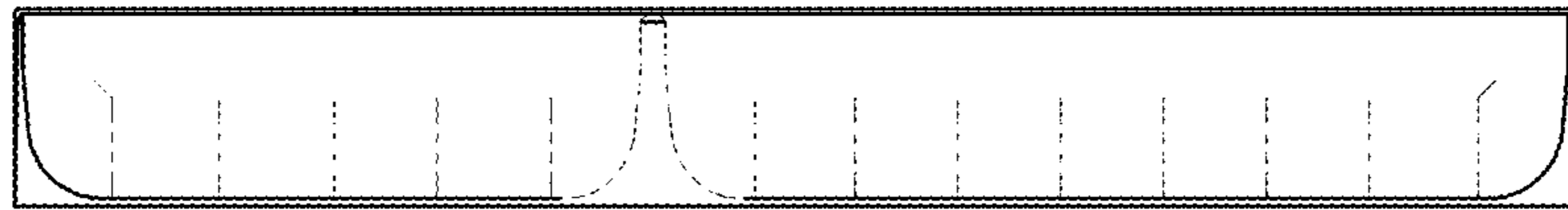


FIG. 3

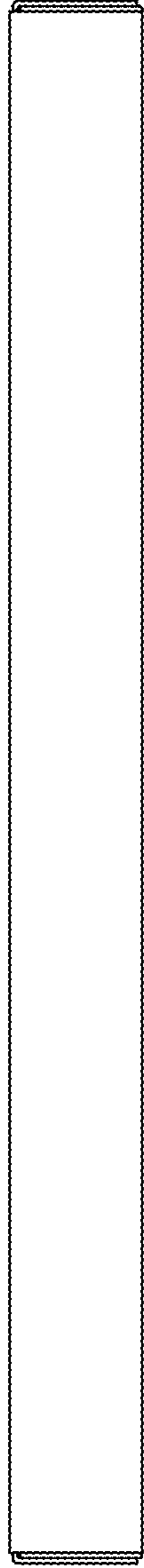


FIG. 4

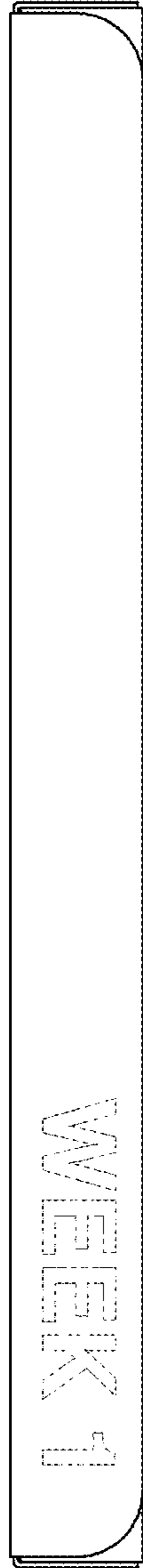


FIG. 5

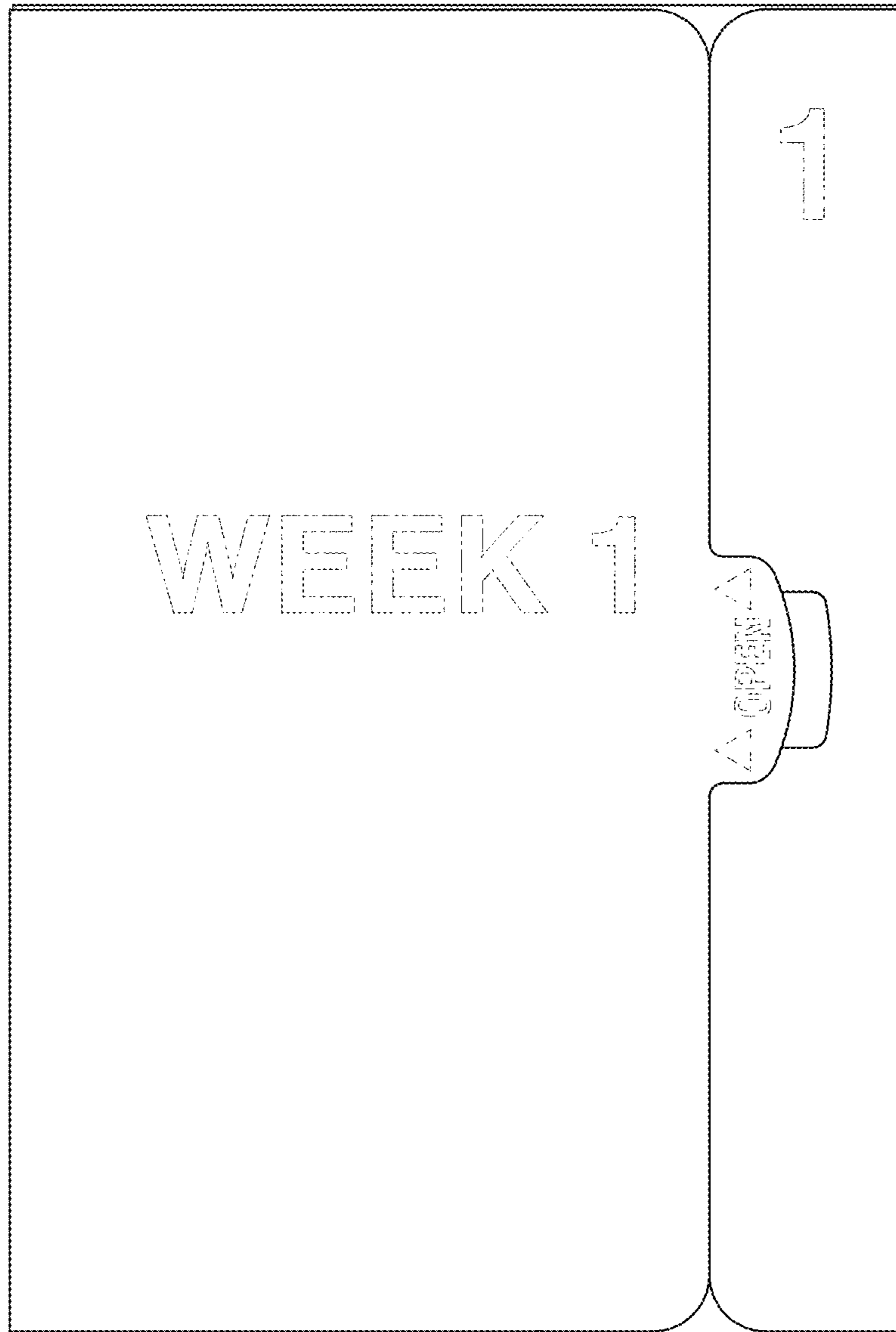


FIG. 6

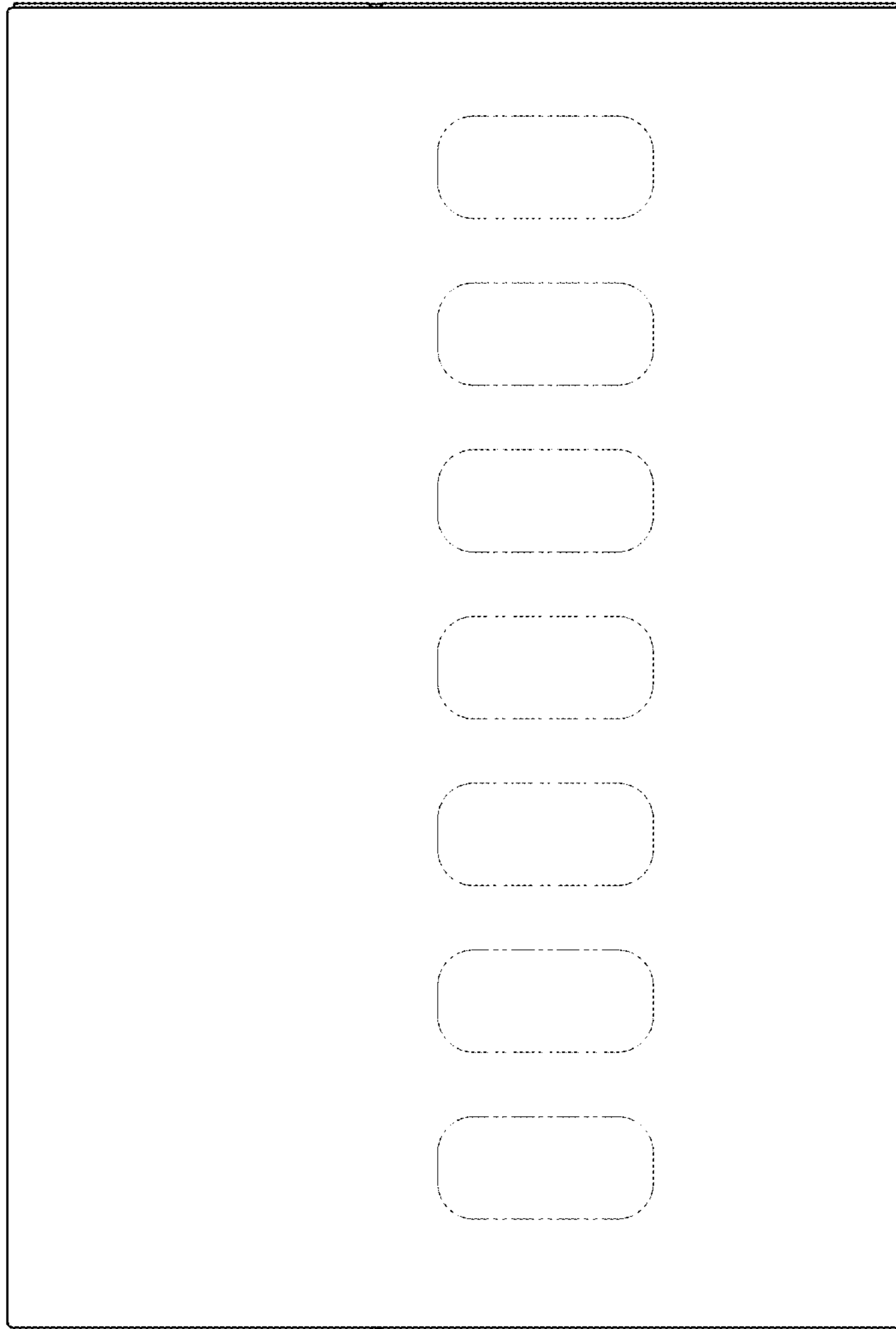


FIG. 7

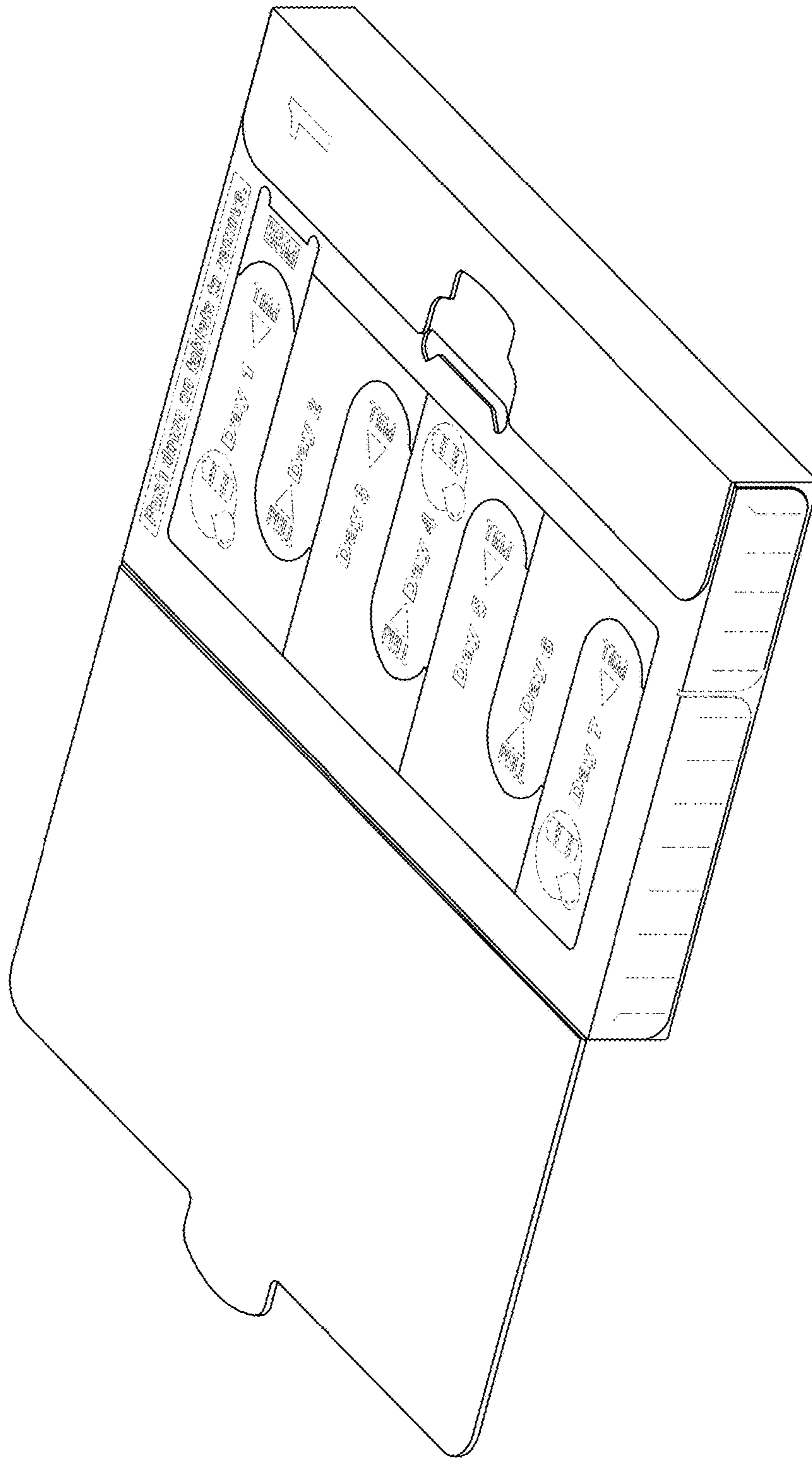


FIG. 8