



US00D831329S

(12) **United States Design Patent**
Barahona

(10) **Patent No.:** **US D831,329 S**

(45) **Date of Patent:** **** Oct. 23, 2018**

(54) **STORAGE AND RETRIEVAL UNIT FOR WALKING CANE**

(71) Applicant: **Jose Barahona**, Lexington, NC (US)

(72) Inventor: **Jose Barahona**, Lexington, NC (US)

(**) Term: **15 Years**

(21) Appl. No.: **29/567,205**

(22) Filed: **Jun. 7, 2016**

(51) **LOC (11) Cl.** **03-01**

(52) **U.S. Cl.**
USPC **D3/10**

(58) **Field of Classification Search**
USPC D3/5, 10, 13, 201, 254, 269; D6/567;
D8/373, 382, 394, 395, 396
CPC A45B 1/04; A63H 3/02
See application file for complete search history.

(56) **References Cited**

U.S. PATENT DOCUMENTS

439,423	A	10/1890	Potts	
D32,373	S	3/1900	Smith	
1,406,097	A *	2/1922	Snickers	A47G 25/12 211/63
1,895,656	A *	1/1933	Gadke	A47G 33/105 24/339
2,675,979	A *	4/1954	Vetterli	B44D 3/123 248/113
D240,681	S *	7/1976	Granatelli	D6/526
D241,314	S *	9/1976	Hug	D11/27
4,121,798	A *	10/1978	Schumacher	A47L 13/512 24/336
4,300,742	A	11/1981	Nunn	
4,605,190	A *	8/1986	Kamp	A45B 1/00 248/229.26
D295,723	S *	5/1988	Shioda	D8/380
4,895,330	A *	1/1990	Anstead	A45B 1/04 248/229.12
D406,051	S *	2/1999	Ross	D8/395

D417,612	S *	12/1999	Jones	D26/138
D435,684	S *	12/2000	Gary	D26/138
D451,007	S *	11/2001	Jones	D8/367
7,422,188	B1	9/2008	Schlosser	
D625,996	S *	10/2010	Witty	D8/396
D680,857	S *	4/2013	Rumpel	D8/395
D692,689	S *	11/2013	Yiannaki	D6/606
D720,612	S *	1/2015	Gilbert	D8/394
D730,163	S *	5/2015	Wu	D8/376
D738,099	S *	9/2015	Mosteller	D3/10
D769,024	S *	10/2016	Montoya	D6/567
9,615,722	B2 *	4/2017	Mesa	A47L 15/503
D787,173	S *	5/2017	Parnell	D3/10
D816,474	S *	5/2018	Ochi	D8/395
2011/0061696	A1	3/2011	Wilson	
2017/0332771	A1 *	11/2017	Tandeski	A45F 5/021

FOREIGN PATENT DOCUMENTS

WO 2010036112 8/2010

* cited by examiner

Primary Examiner — Sandra S Snapp

Assistant Examiner — Holly E Thurman

(57) **CLAIM**

I claim the ornamental design for a storage and retrieval unit for walking cane, as shown and described.

DESCRIPTION

FIG. 1 is a front view of the storage and retrieval unit for walking cane.

FIG. 2 is a back view of the claimed design.

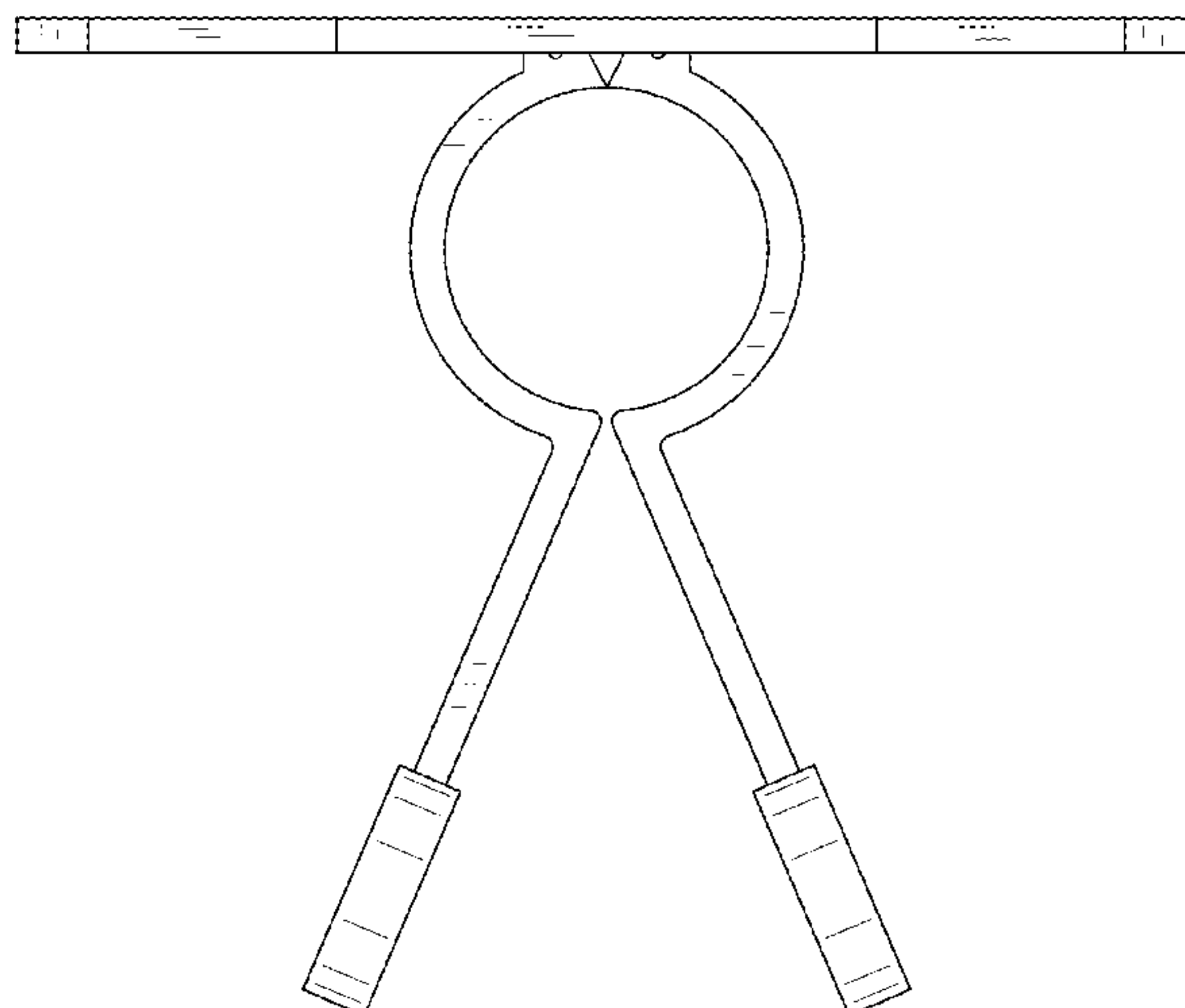
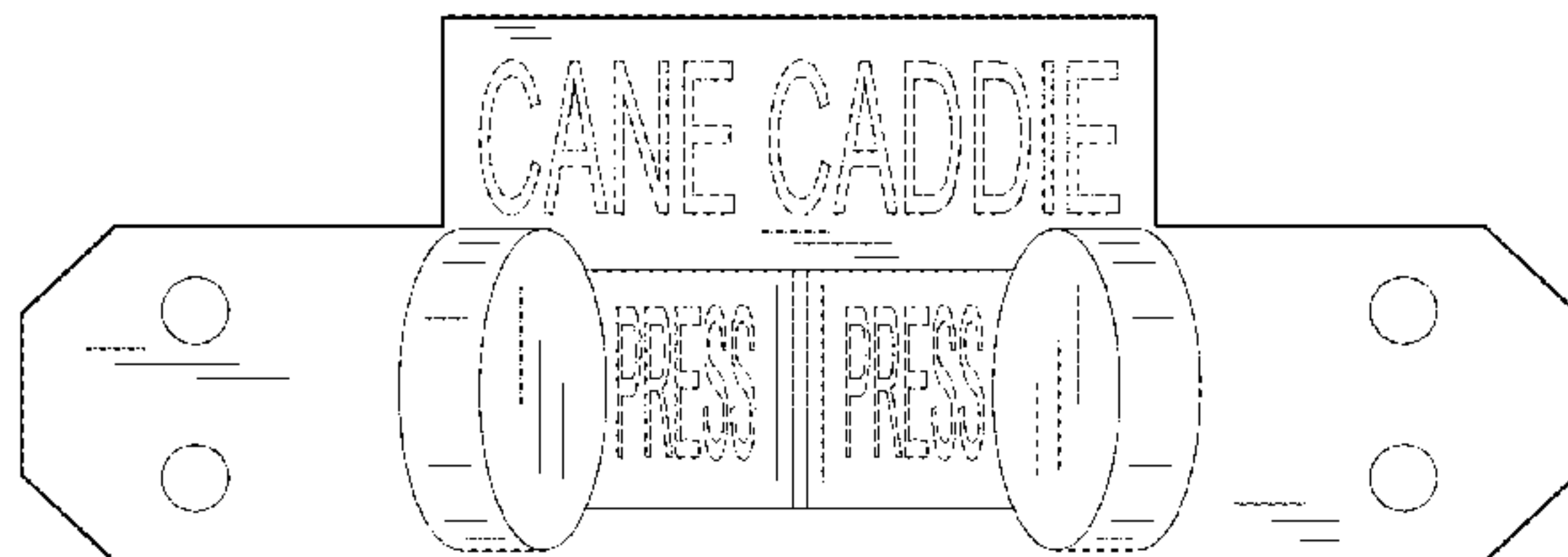
FIG. 3 is a side view of the claimed design.

FIG. 4 is a top view of the claimed design; and,

FIG. 5 is a bottom view of the claimed design.

The broken lines in FIG. 1 depict unclaimed environment and form no part of the claimed design.

1 Claim, 4 Drawing Sheets



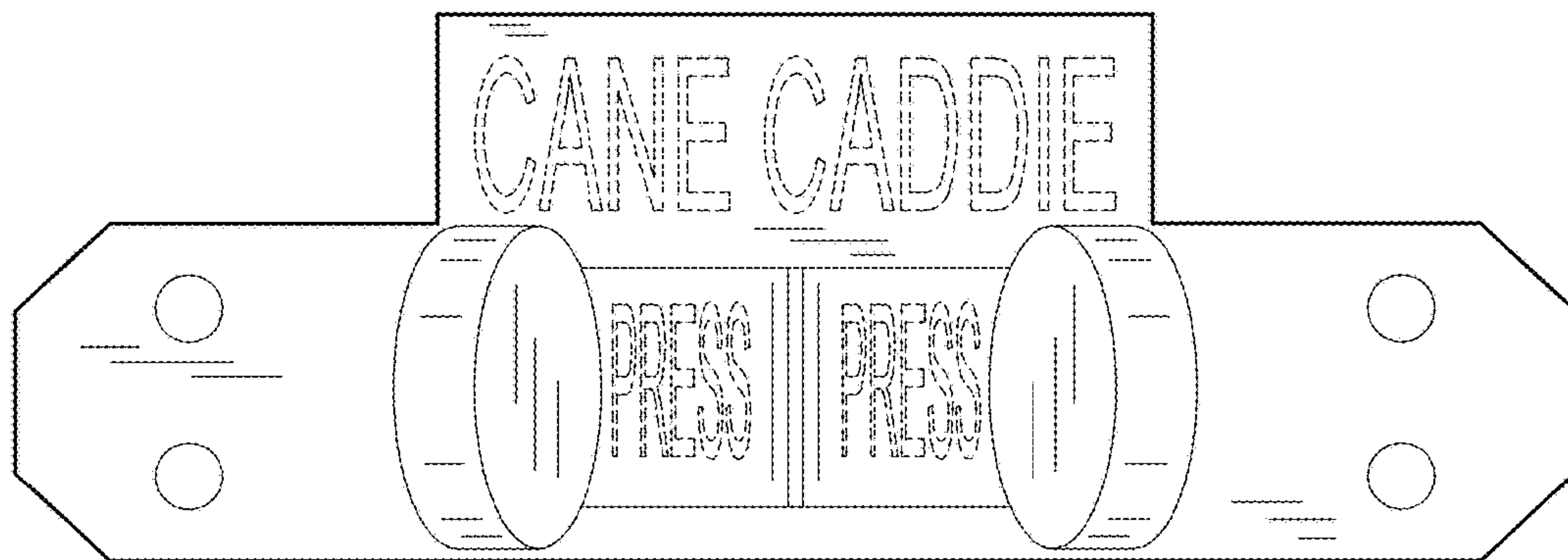


FIG. 1

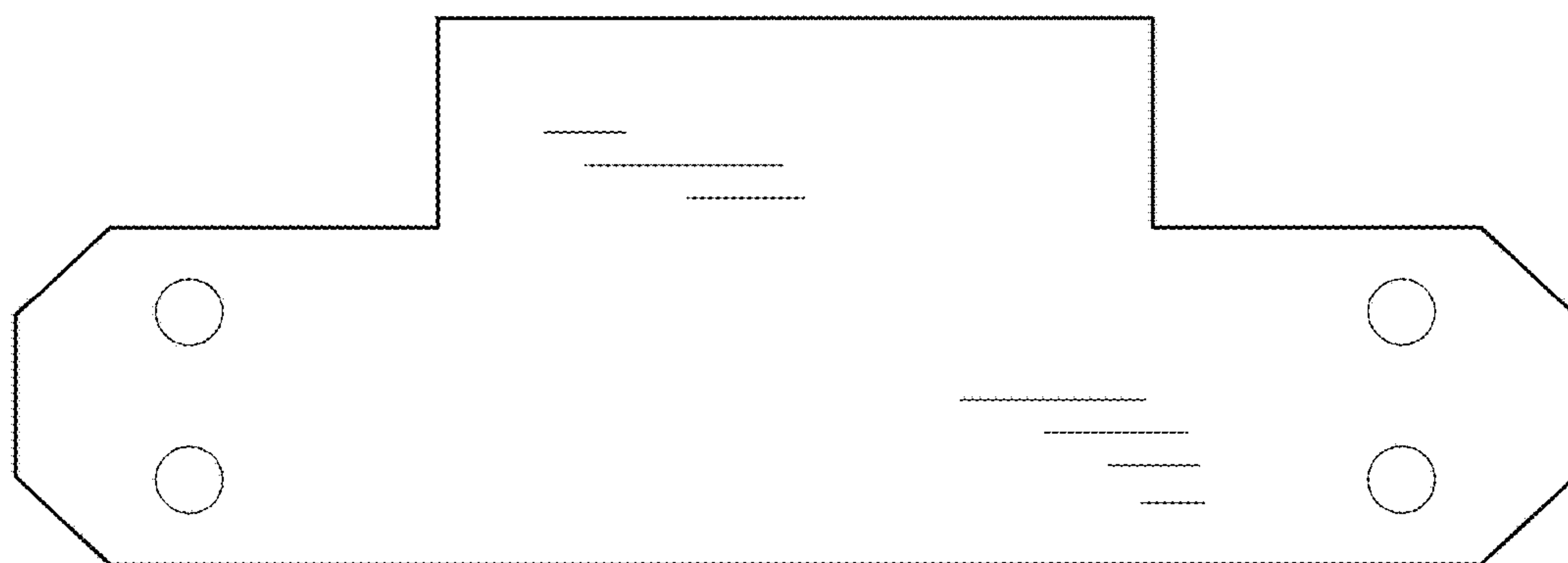


FIG. 2

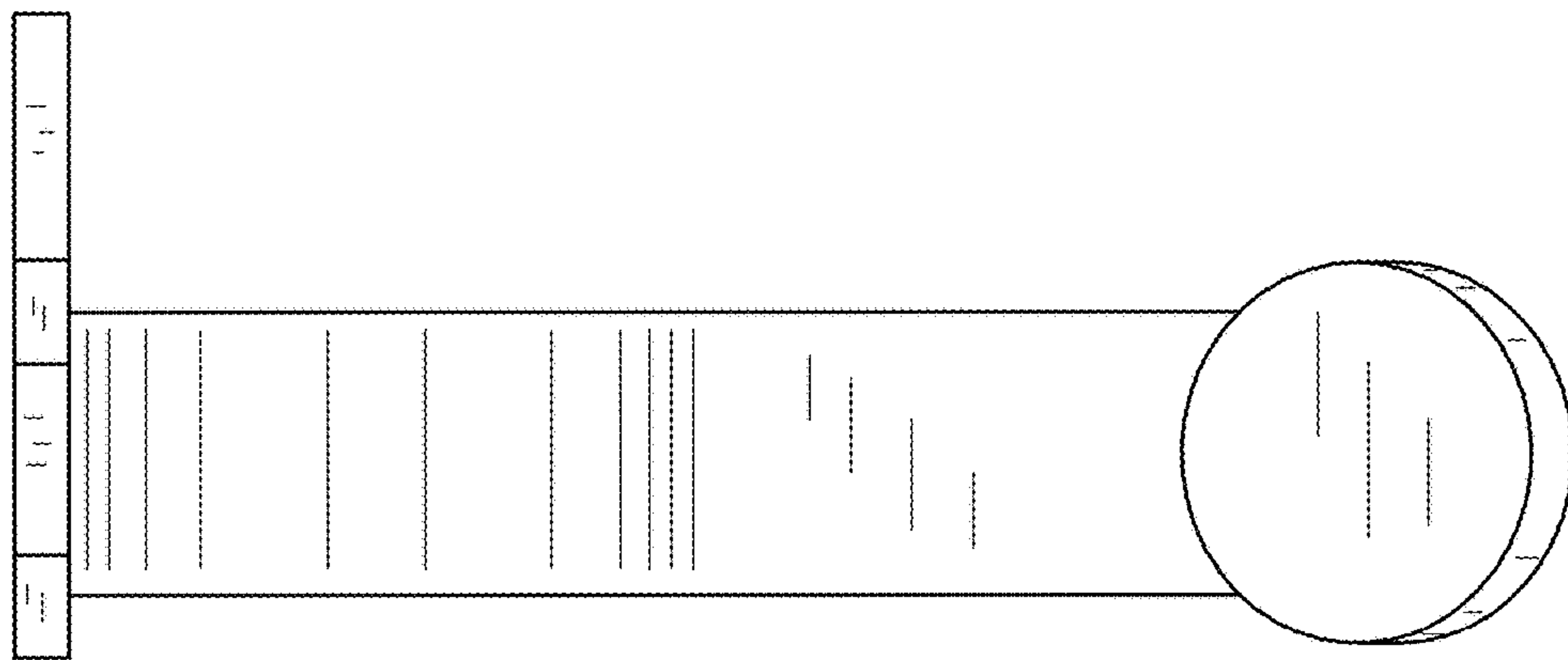


FIG. 3

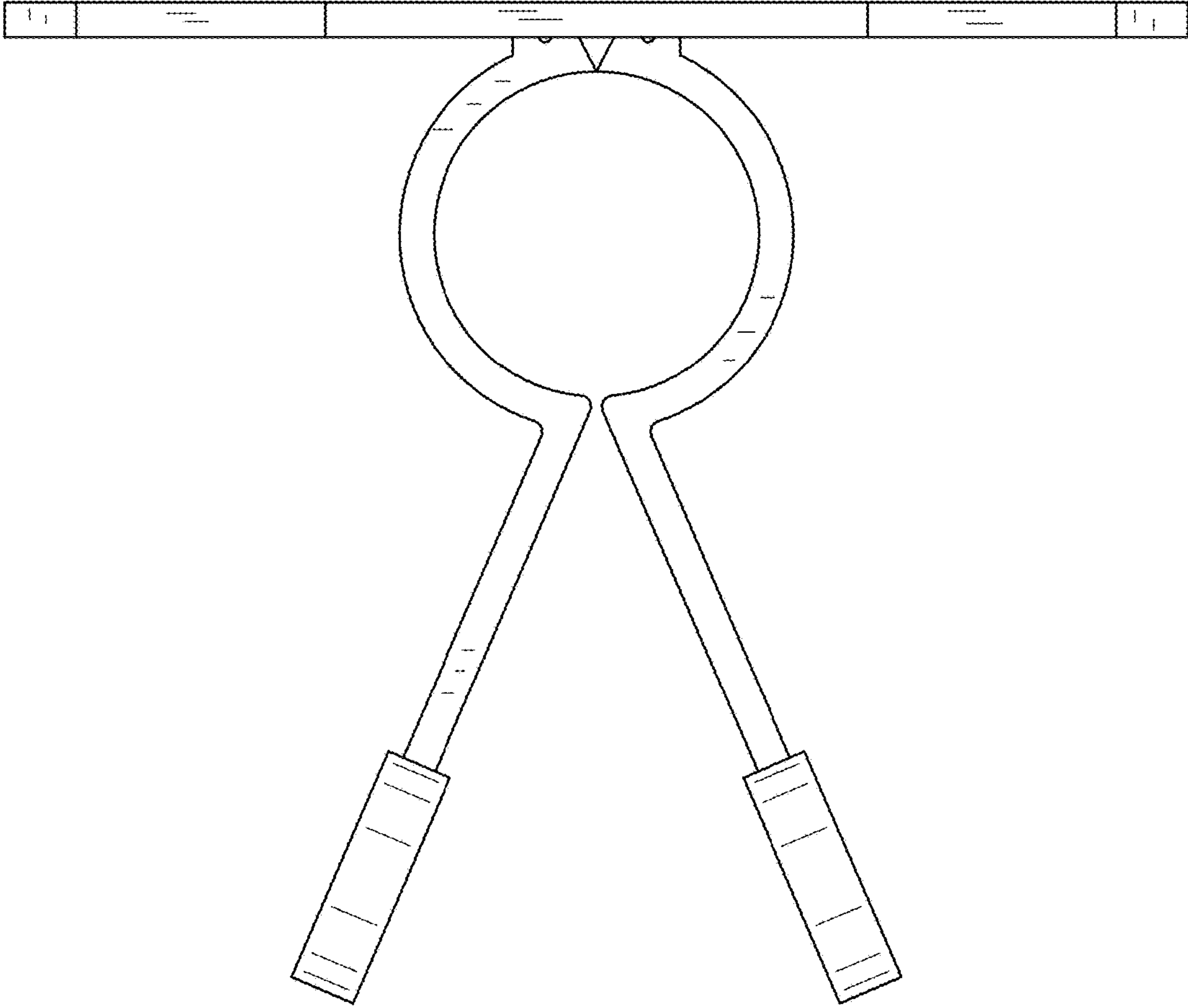


FIG. 4

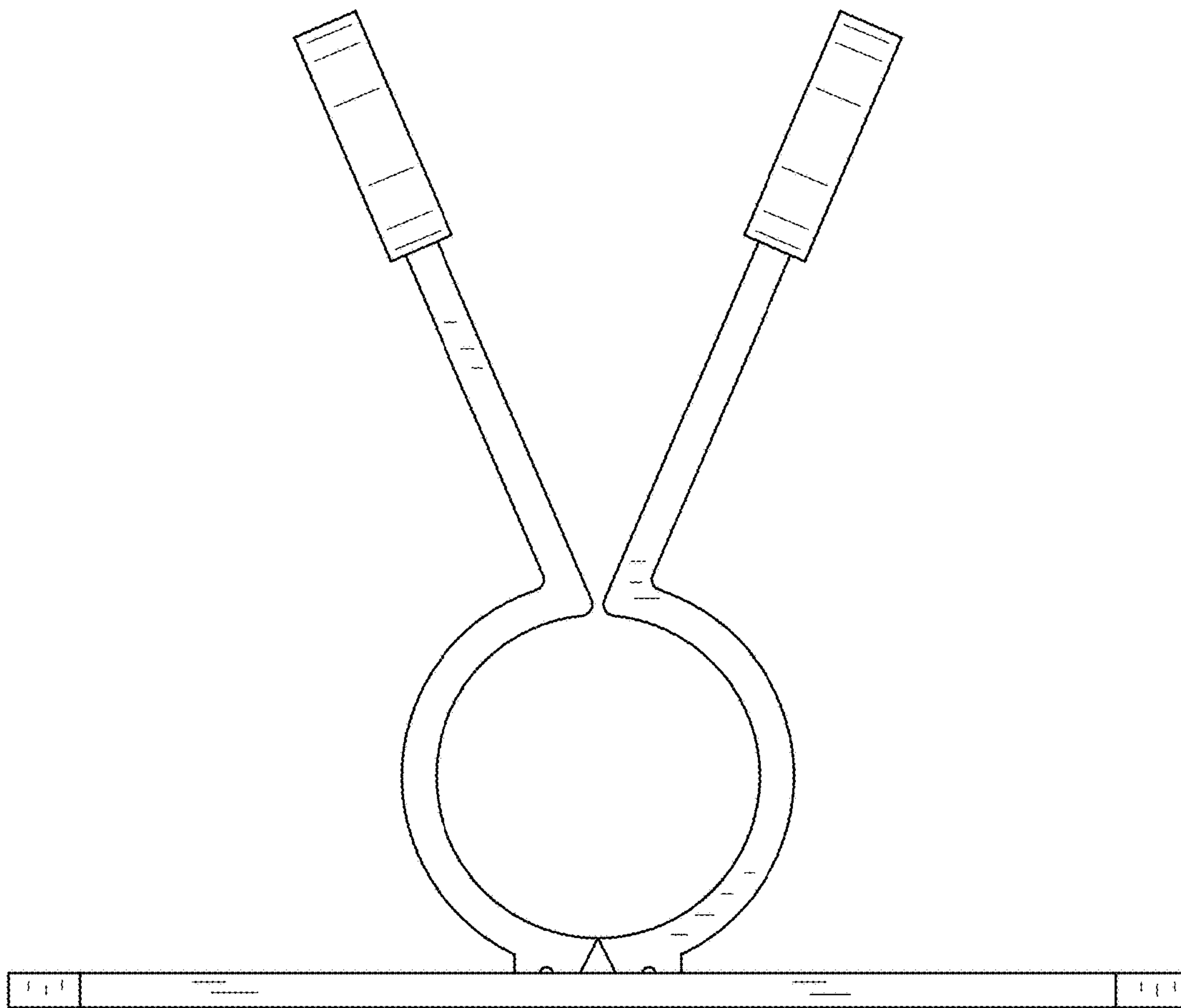


FIG. 5