



US00D831320S

(12) **United States Design Patent** (10) **Patent No.:** **US D831,320 S**  
**Savio et al.** (45) **Date of Patent:** **\*\* Oct. 23, 2018**

- (54) **MID-SOLE CLEAT**
- (71) Applicant: **Geroline Inc.**, Fonthill (CA)
- (72) Inventors: **John Savio**, Fonthill, CA (US); **Greg McCandless**, Fonthill, CA (US)
- (73) Assignee: **Geroline Inc.**, Fonthill (CA)
- (\*\*) Term: **15 Years**
- (21) Appl. No.: **29/627,578**
- (22) Filed: **Nov. 28, 2017**

1,275,917 A \* 8/1918 Herman ..... A43C 15/063  
36/62  
2,006,802 A 7/1935 Goodman  
2,045,066 A 6/1936 Bower  
(Continued)

**OTHER PUBLICATIONS**

1 Pair 2017 New Durable Anti Slip Snow Ice Climbing Spikes, Jun. 19, 2017, [online], [site visited Aug. 26, 2017]. Retrieved from url:https://www.aliexpress.com/item/Winter-5-studs-Snow-Anti-Slip-ice-crampons-Mens-Ice-Snow-Crampons-Shoes-snow-walker-for/32802916137.html?spm=2114.search0302.4.40.1clbun.  
(Continued)

**Related U.S. Application Data**

- (62) Division of application No. 29/576,119, filed on Aug. 31, 2016, now Pat. No. Des. 807,005.

*Primary Examiner* — Jeffrey D Asch  
*Assistant Examiner* — Tracey J Bell  
(74) *Attorney, Agent, or Firm* — Andrus Intellectual Property Law, LLP

(30) **Foreign Application Priority Data**

Jul. 6, 2016 (CA) ..... 169322  
Jul. 6, 2016 (CA) ..... 169323

(57) **CLAIM**

The ornamental design for a mid-sole cleat, as shown and described.

(51) **LOC (11) Cl.** ..... **02-04**

**DESCRIPTION**

(52) **U.S. Cl.**  
USPC ..... **D2/962**

(58) **Field of Classification Search**  
USPC ..... D2/896, 946, 962, 976, 947, 949–951, D2/629, 906, 954; 36/113  
CPC ..... A43B 5/18; A43B 5/185; A43C 15/063; A43C 15/09; A43C 15/061; A43C 15/065; A43C 15/066; A43C 15/068; A43C 15/08; A43C 13/04  
See application file for complete search history.

FIG. 1 is a perspective view of a mid-sole cleat;  
FIG. 2 is a top view thereof;  
FIG. 3 is a side view thereof;  
FIG. 4 is a bottom view thereof;  
FIG. 5 is a front view thereof; and  
FIG. 6 is a back view thereof.  
FIG. 7 is a perspective view of another embodiment of a mid-sole cleat;  
FIG. 8 is a top view thereof;  
FIG. 9 is a side view thereof;  
FIG. 10 is a bottom view thereof;  
FIG. 11 is a front view thereof; and,  
FIG. 12 is a back view thereof.

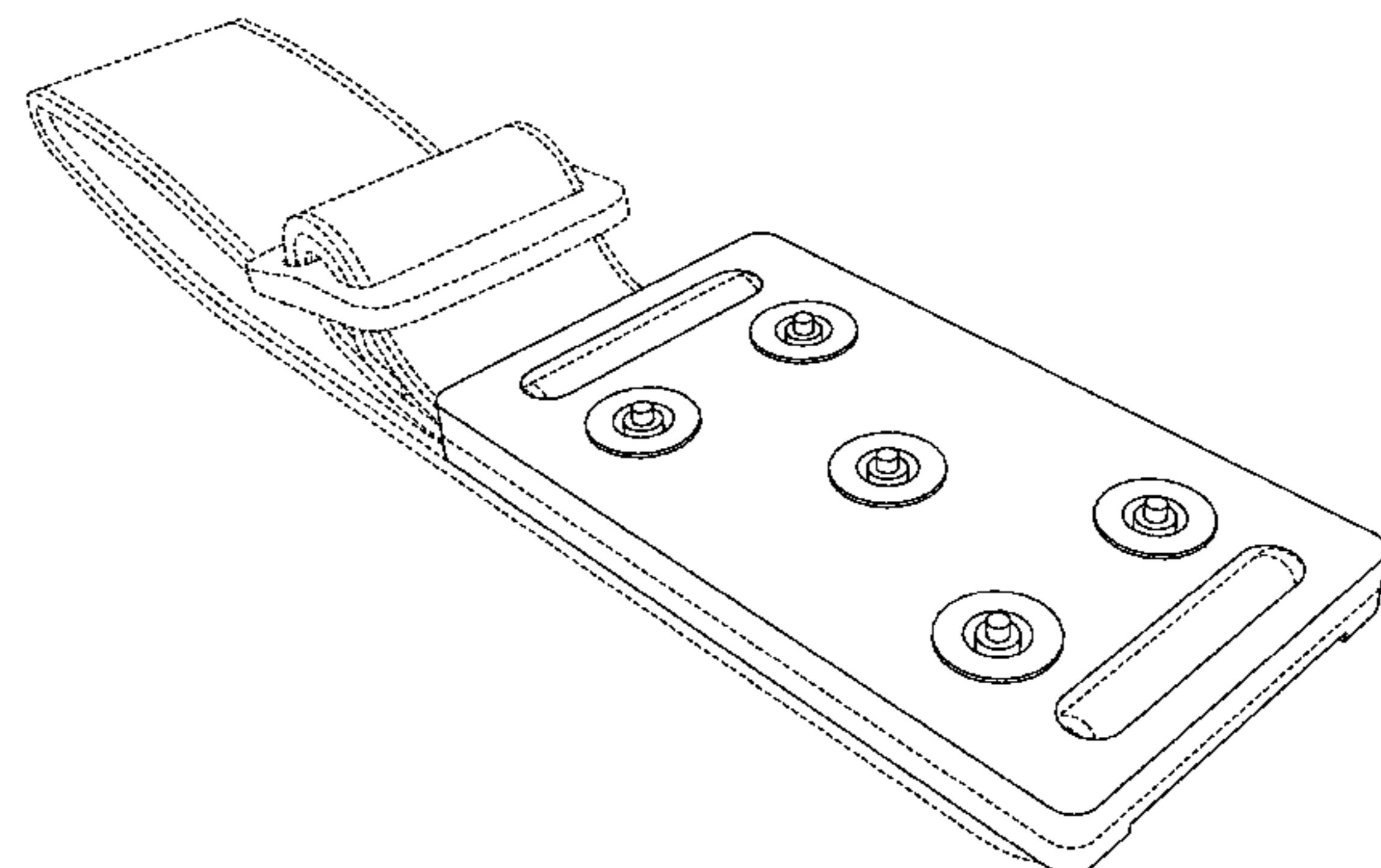
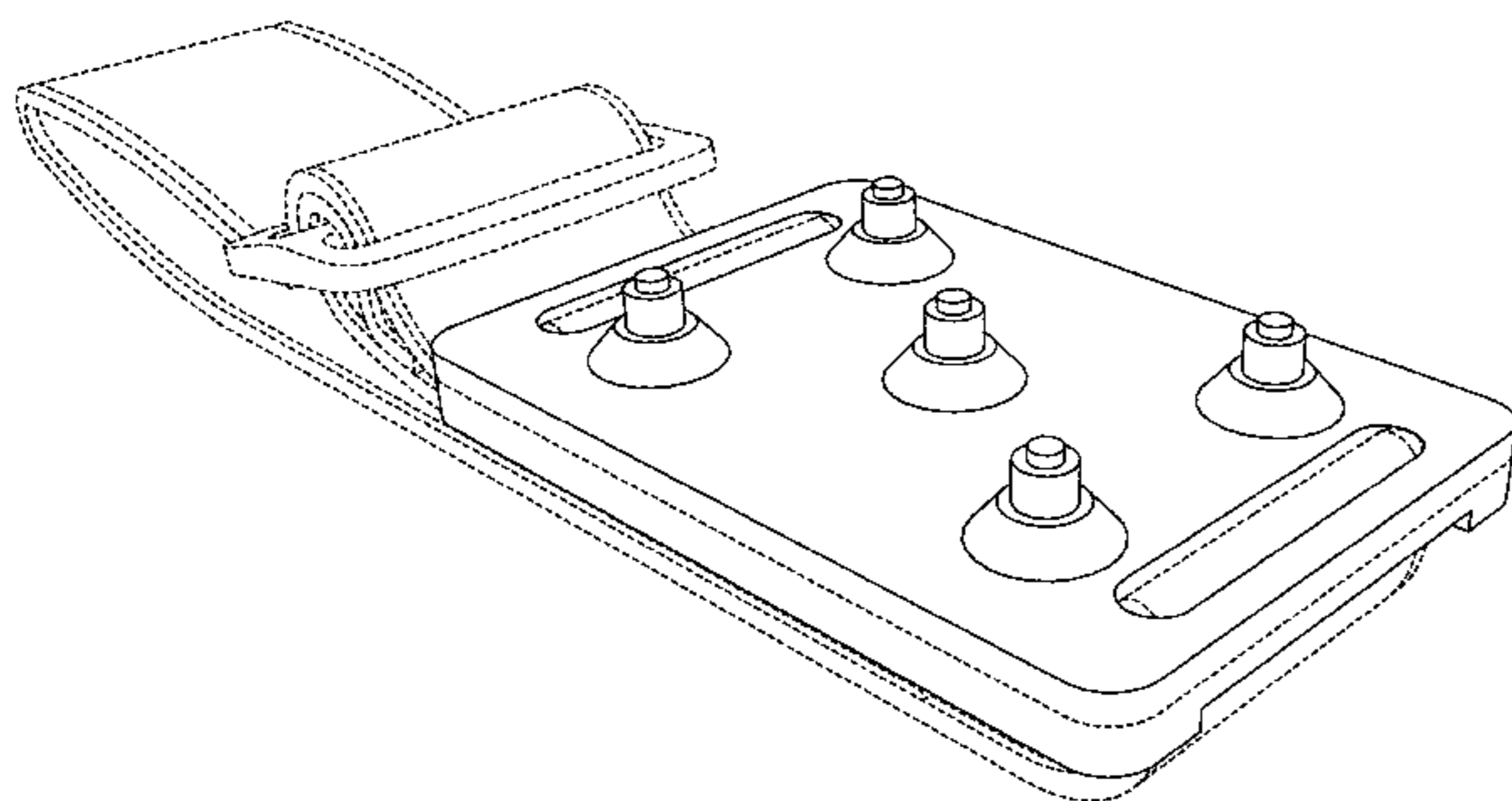
(56) **References Cited**

**U.S. PATENT DOCUMENTS**

36,866 A 11/1862 Starr  
156,094 A 10/1874 Lemmon  
905,510 A 12/1908 Frautschi, Jr.  
1,032,600 A \* 7/1912 Grout ..... A43C 15/063  
36/62

The dashed lines show portions of the mid-sole cleat that form no part of the claimed embodiment in which they are shown.

**1 Claim, 6 Drawing Sheets**



(56)

**References Cited**

U.S. PATENT DOCUMENTS

2,179,178	A	11/1939	Helmer	
2,208,200	A	7/1940	Sloan	
2,296,660	A	9/1942	Bowman	
2,313,316	A	3/1943	Block	
2,366,649	A	1/1945	Priess	
2,401,891	A	6/1946	Smith	
2,431,748	A *	12/1947	Gershak .....	A43C 15/063 36/62
2,438,193	A	3/1948	Wayne	
2,636,175	A	4/1953	Hoffman	
2,658,289	A	11/1953	Schrieber	
3,691,659	A	9/1972	Nakajima	
3,838,528	A *	10/1974	Johnson .....	A43B 3/0052 36/7.7
4,005,533	A	2/1977	Anderson et al.	
D262,157	S	12/1981	Kinchen et al.	
D336,559	S	6/1993	Carmichael	
5,485,687	A	1/1996	Rohde	
6,434,859	B1 *	8/2002	Kim .....	A43B 7/142 36/43
8,371,045	B2	2/2013	Tambay	
D790,172	S	6/2017	Hatfield	
D807,005	S *	1/2018	Savio .....	D2/962
2011/0083344	A1 *	4/2011	Tambay .....	A43C 15/063 36/132
2017/0251765	A1 *	9/2017	Romeril .....	A43C 15/02

OTHER PUBLICATIONS

<1 Midsole - Industrial Commercial model of innovative, new ice Cleat, Jul. 27, 2016, [online], [site visited Sep. 07, 2017]\_ Retrieved from url:<https://www.youtube.com/watch?v=mmnrwnQYlaw>.

\* cited by examiner

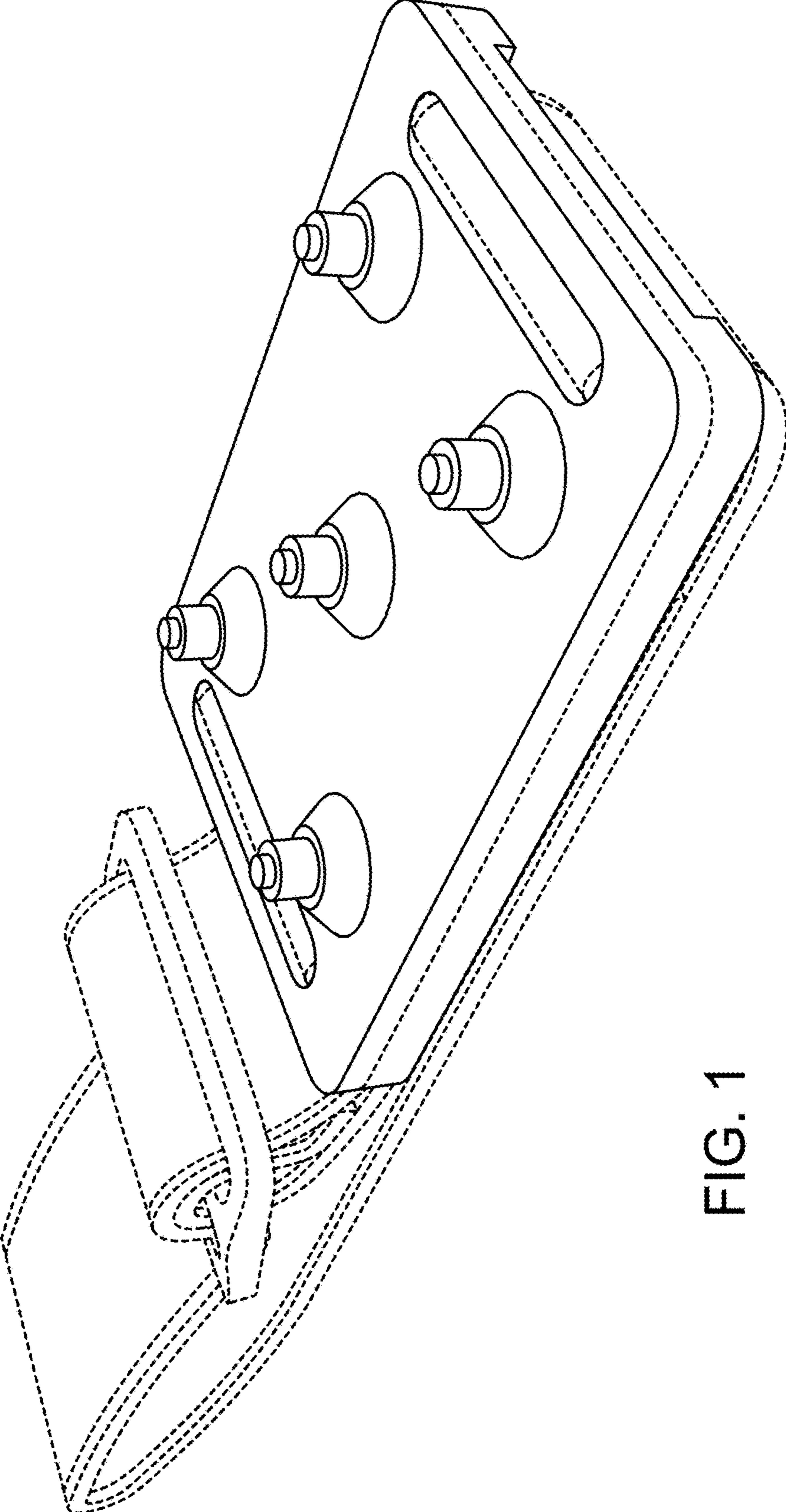


FIG. 1

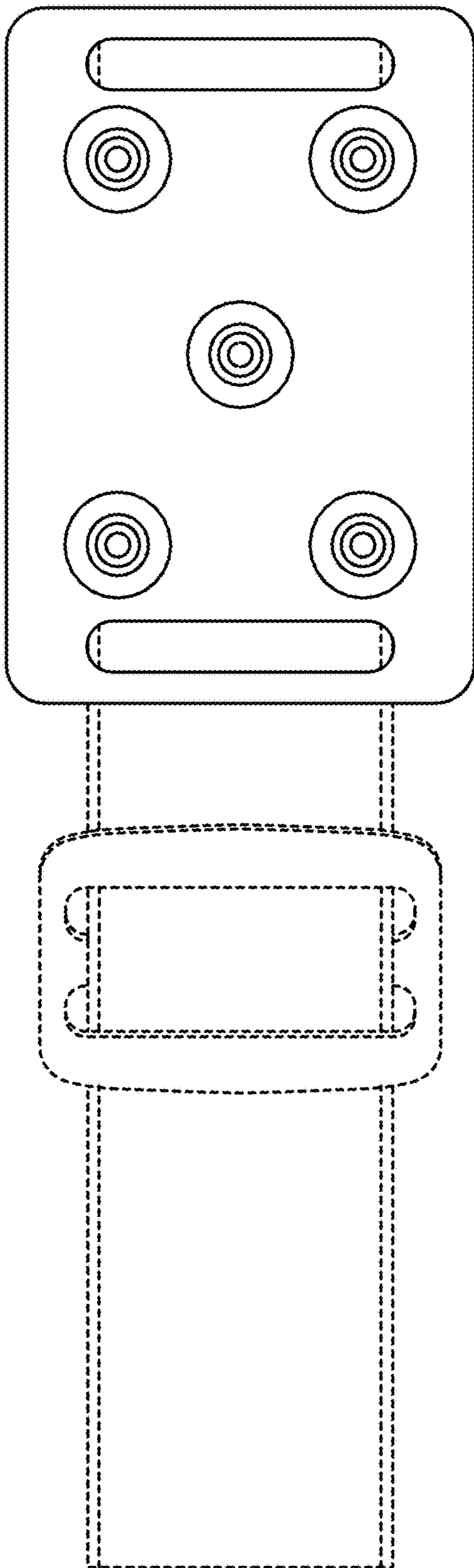


FIG. 2

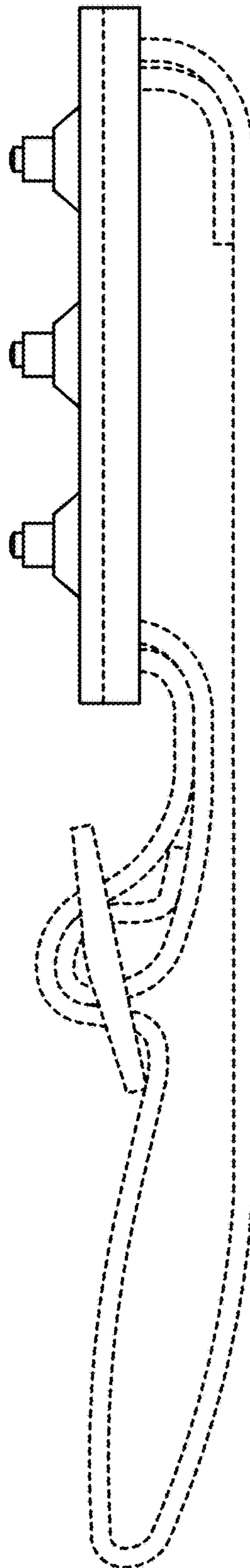


FIG. 3

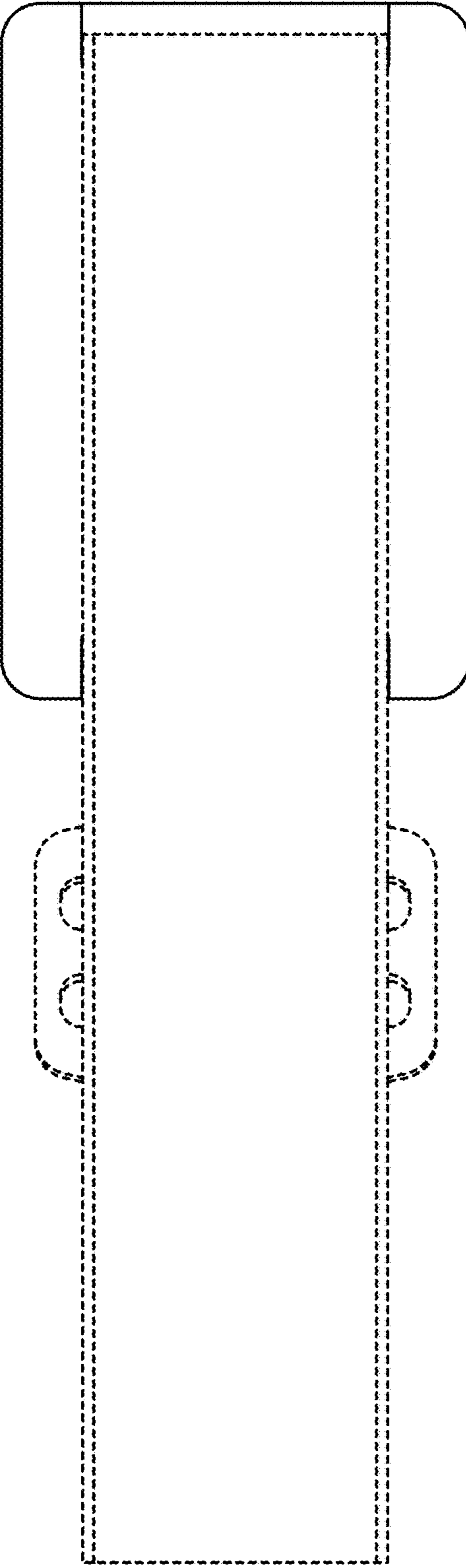


FIG. 4

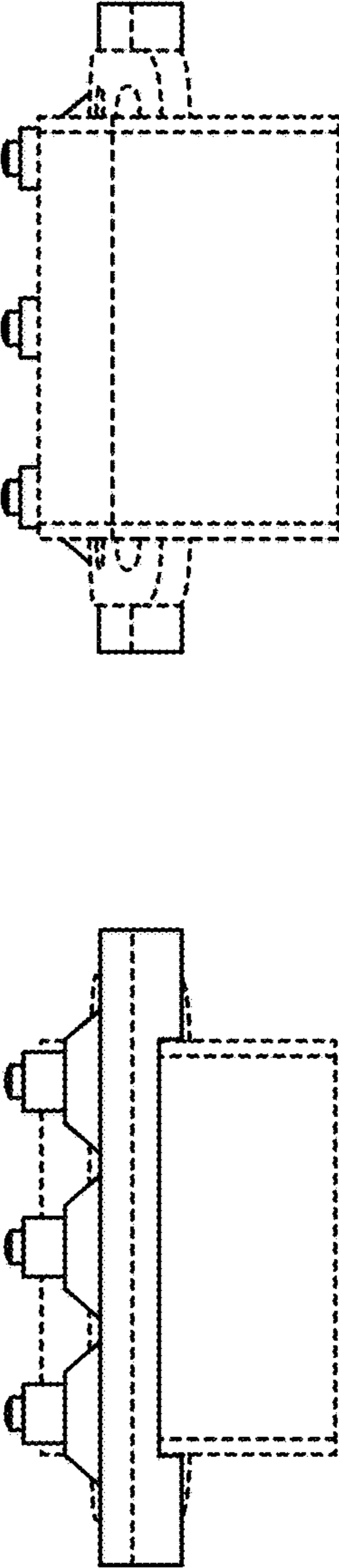


FIG. 5

FIG. 6

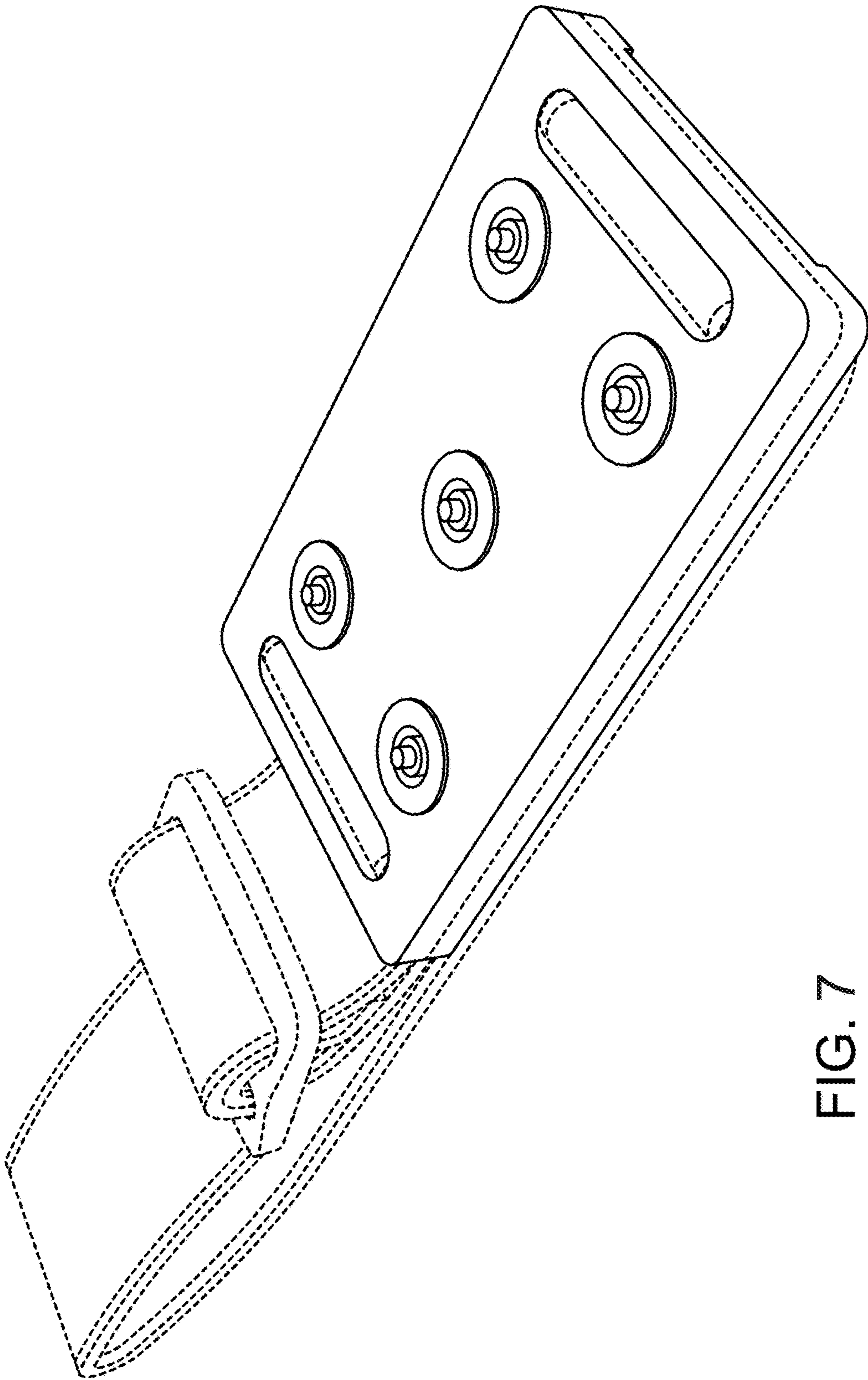


FIG. 7

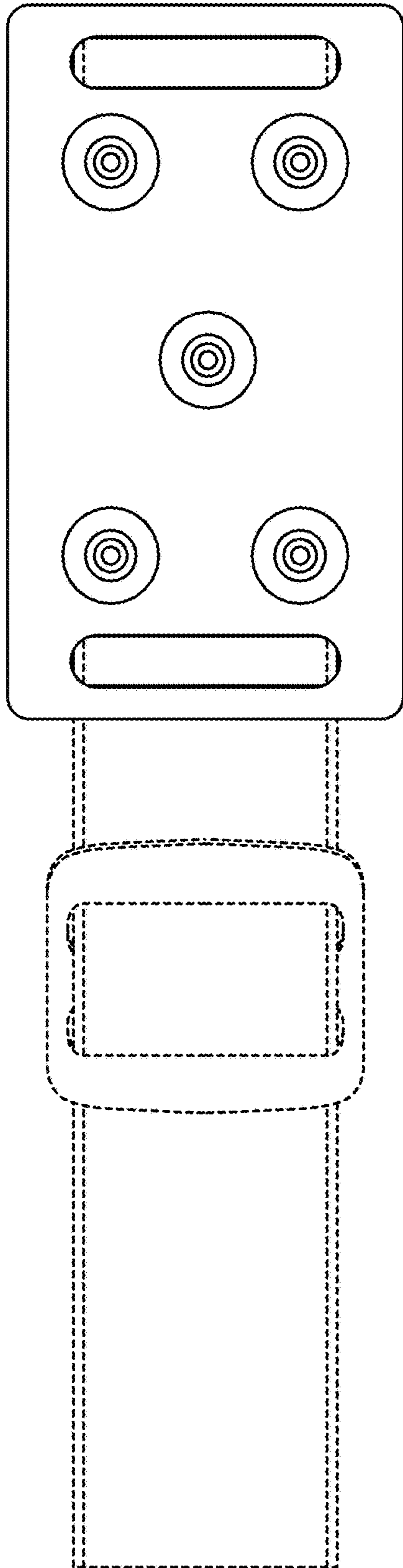


FIG. 8

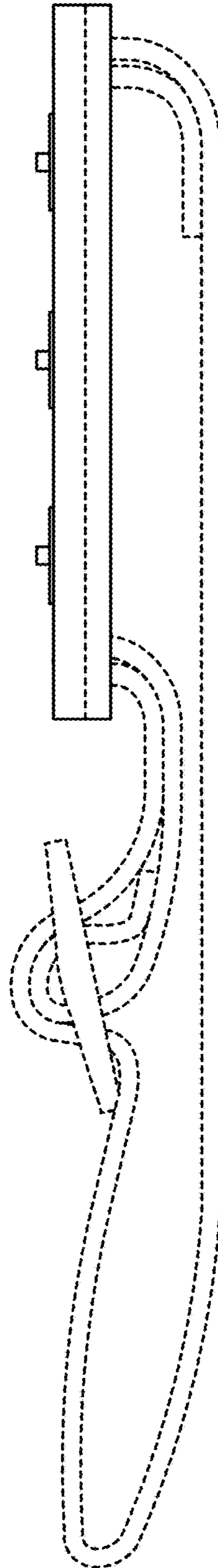


FIG. 9

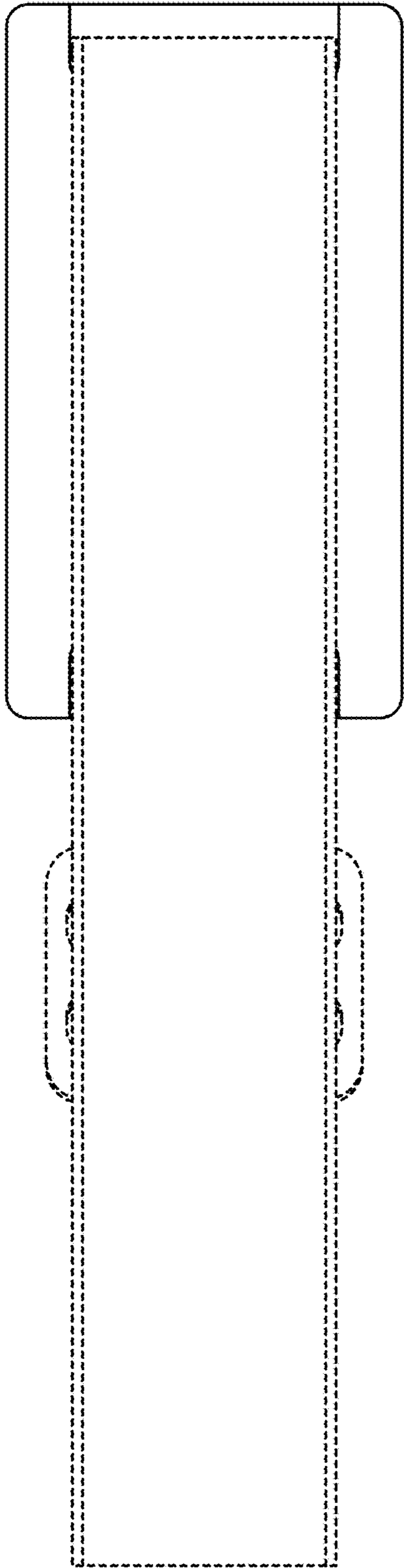


FIG. 10

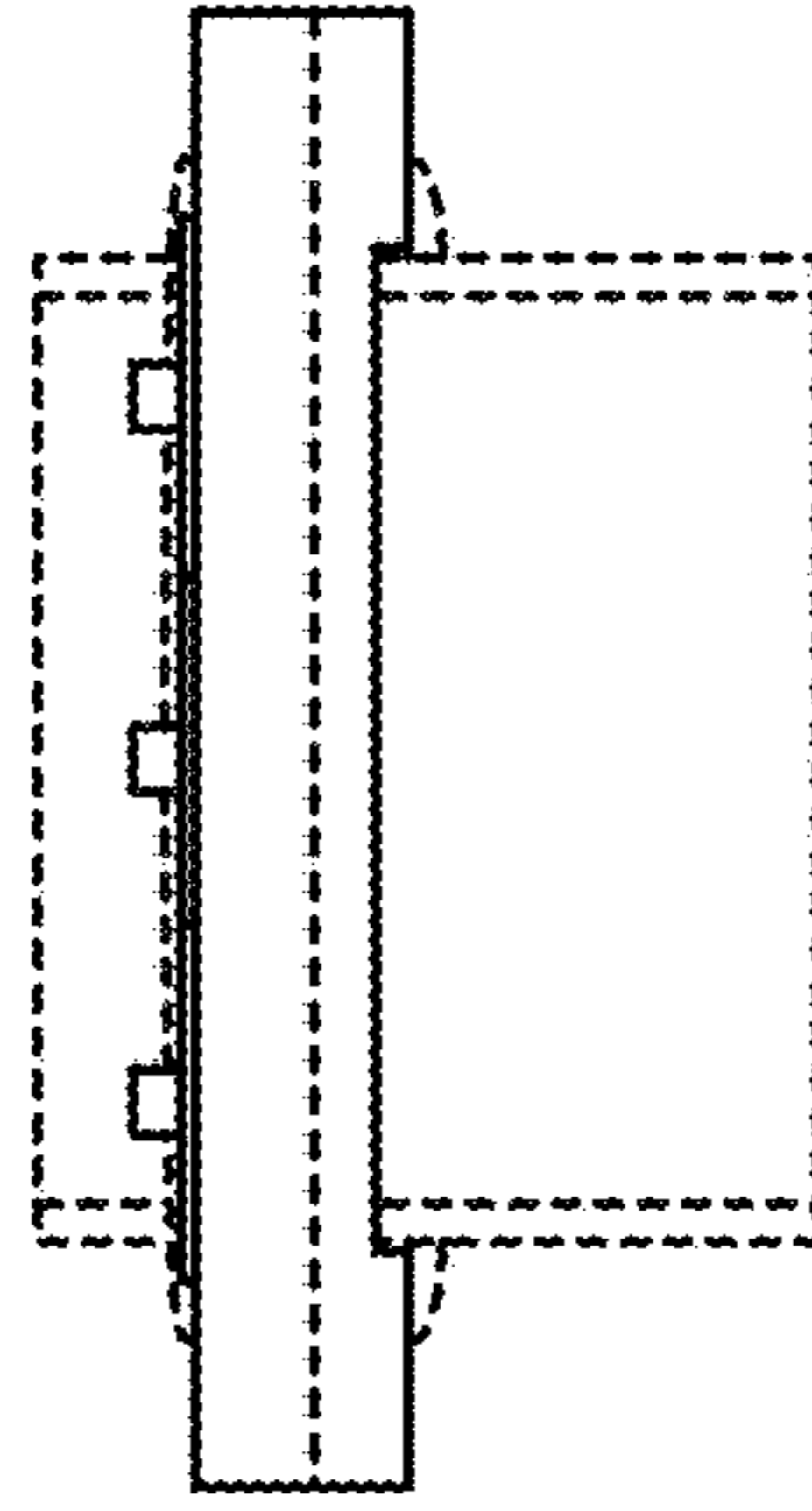


FIG. 11

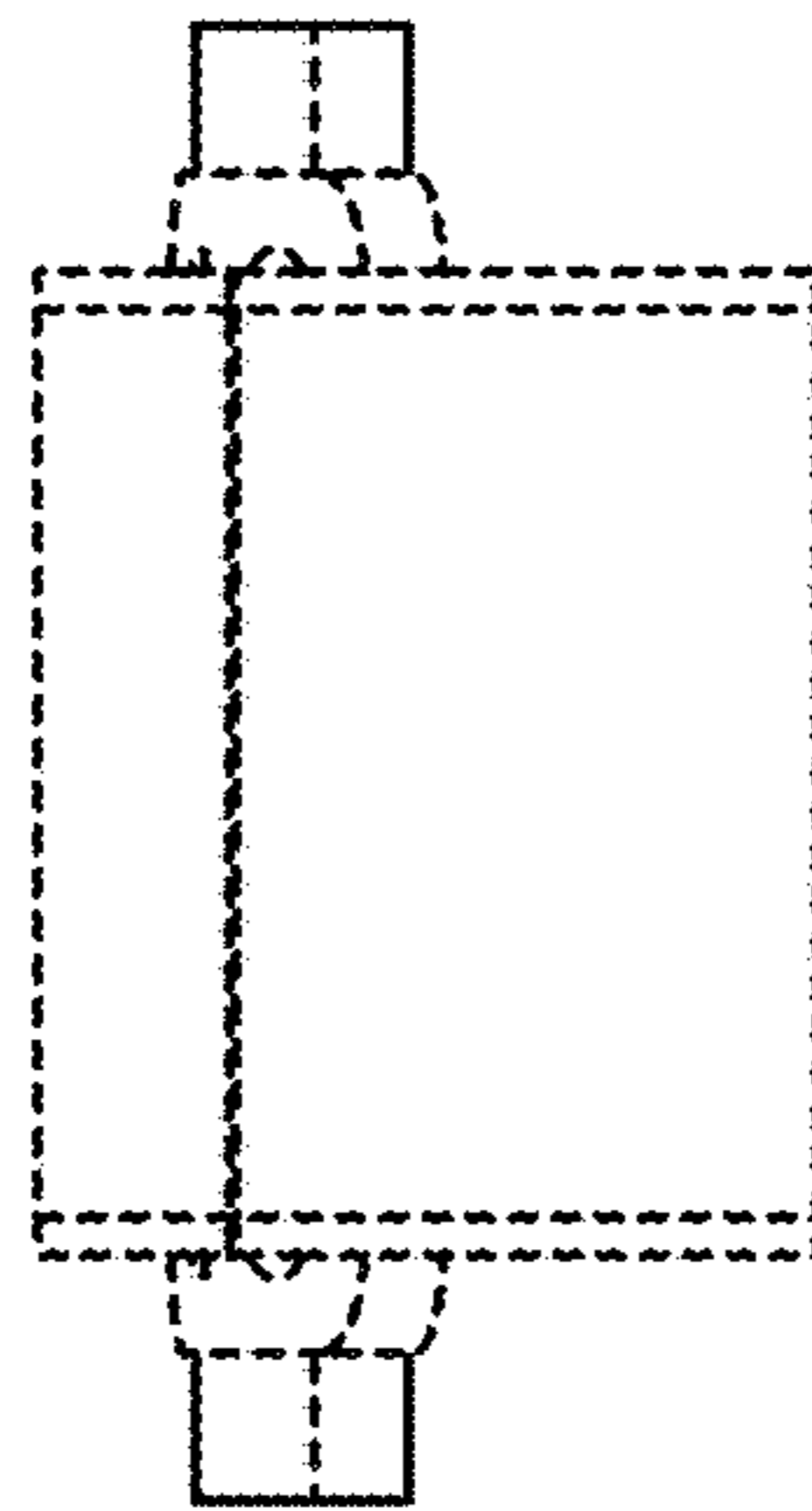


FIG. 12