



US00D831314S

(12) **United States Design Patent** (10) **Patent No.:** **US D831,314 S**  
**Yeh** (45) **Date of Patent:** **\*\* Oct. 23, 2018**

(54) **TOE CAP FOR FOOTWEAR**  
(71) Applicant: **TBL Licensing LLC**, Stratham, NH (US)  
(72) Inventor: **Thomas Yeh**, Broomfield, CO (US)  
(73) Assignee: **TBL Licensing LLC**, Stratham, NH (US)  
(\*\*) Term: **15 Years**

1,125,134 A 1/1915 Lee  
1,211,542 A 1/1917 Carolin  
1,213,941 A 1/1917 Patrick  
1,335,273 A 3/1920 Bruce  
1,476,127 A 12/1923 Williams  
1,902,780 A 4/1930 Holden et al.  
1,885,327 A 11/1932 Burnham  
2,300,681 A 11/1942 Margolin  
2,437,065 A 3/1948 Austin  
2,703,937 A 3/1955 McGinn  
2,887,793 A 5/1959 Starr

(Continued)

(21) Appl. No.: **29/597,516**  
(22) Filed: **Mar. 17, 2017**

**FOREIGN PATENT DOCUMENTS**

CN 201790070 U 4/2011  
DE 9016134 2/1991

(Continued)

**Related U.S. Application Data**

(62) Division of application No. 29/529,466, filed on Jun. 8, 2015, now Pat. No. Des. 784,665.

(51) **LOC (11) Cl.** ..... **02-99**

(52) **U.S. Cl.**  
USPC ..... **D2/946; D2/972**

(58) **Field of Classification Search**  
USPC ..... D2/902, 906-908, 944, 946, 969,  
D2/972-974, 976  
CPC ... A43B 13/181; A43B 13/141; A43B 13/186;  
A43B 13/188; A43B 23/00; A43B 23/02;  
A43B 5/00; A43B 23/26; A43B 1/04;  
A43B 11/14; A43B 7/00; A43C 1/00;  
A43C 1/04; A43C 1/06

See application file for complete search history.

(56) **References Cited**

**U.S. PATENT DOCUMENTS**

RE632 E \* 12/1858 Mitchell ..... A43B 23/08  
36/77 R  
26,329 A \* 11/1859 Silverthorn ..... A43B 23/086  
36/77 R  
27,918 A 4/1860 McErren  
682,182 A 9/1901 Ellings  
757,424 A 4/1904 Vohl

**OTHER PUBLICATIONS**

International Search Report for Application No. PCT/US2016/036455 dated Sep. 21, 2016.

*Primary Examiner* — Dominic V Simone  
(74) *Attorney, Agent, or Firm* — Lerner, David, Littenberg, Krumholz & Mentlik, LLP

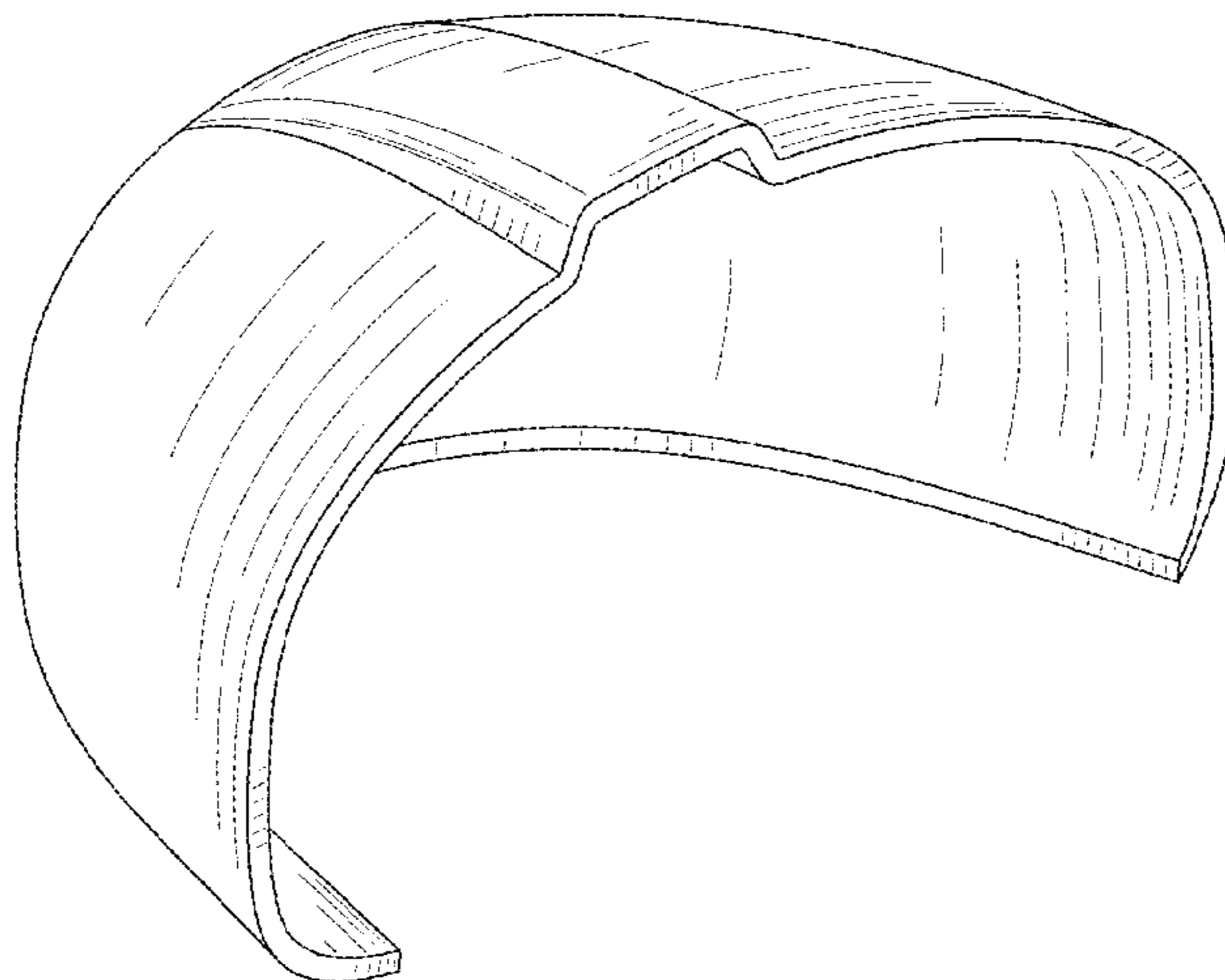
(57) **CLAIM**

The ornamental design for a toe cap for footwear, as shown and described.

**DESCRIPTION**

FIG. 1 is a perspective view of my toe cap, according to the design;  
FIG. 2 is a back view thereof;  
FIG. 3 is a front view thereof;  
FIG. 4 is a left view thereof;  
FIG. 5 is a right view thereof;  
FIG. 6 is a top view thereof; and,  
FIG. 7 is a bottom view thereof.

**1 Claim, 4 Drawing Sheets**



(56)

References Cited

U.S. PATENT DOCUMENTS

2,966,684 A 1/1961 Bonin  
 3,044,188 A 7/1962 Evangelista  
 3,331,146 A 7/1967 Karras  
 4,137,653 A 2/1979 Famolare, Jr.  
 4,231,170 A 11/1980 Griswold  
 4,364,186 A 12/1982 Fukuoka  
 4,476,600 A 10/1984 Seidel et al.  
 4,485,568 A 12/1984 Landi et al.  
 D287,065 S 12/1986 Austin  
 4,742,625 A 5/1988 Sydor et al.  
 5,014,363 A 5/1991 Hubner  
 5,044,096 A 9/1991 Polegato  
 5,086,572 A 2/1992 Lee  
 5,295,312 A 3/1994 Blumberg et al.  
 5,339,545 A 8/1994 Paris  
 5,357,689 A 10/1994 Awai  
 5,365,677 A 11/1994 Dahlgren  
 5,511,323 A 4/1996 Dahlgren  
 5,526,584 A 6/1996 Bleimhofer et al.  
 5,551,172 A 9/1996 Yu  
 5,606,806 A 3/1997 O'Dwyer  
 D389,996 S 2/1998 Sessa  
 5,799,413 A 9/1998 Argyris  
 5,809,665 A 9/1998 Suenaga  
 5,809,666 A \* 9/1998 Harwood ..... A43B 23/087  
 36/72 R  
 5,832,633 A \* 11/1998 Wang ..... A43B 23/086  
 36/77 R  
 5,860,225 A 1/1999 O'Dwyer  
 6,012,236 A 1/2000 Pozzobon et al.  
 6,014,823 A 1/2000 Lakic  
 6,018,819 A 2/2000 King et al.  
 6,228,477 B1 5/2001 Klare et al.  
 6,367,170 B1 \* 4/2002 Williams ..... A43B 23/086  
 36/77 M

6,381,876 B2 5/2002 Krajcir  
 6,410,084 B1 6/2002 Klare et al.  
 D473,046 S \* 4/2003 Schroeder ..... D2/972  
 D473,705 S \* 4/2003 Nason ..... D2/972  
 6,547,751 B1 4/2003 Barberio et al.  
 D485,020 S 1/2004 Yake et al.  
 6,676,993 B2 1/2004 Klare  
 D493,275 S \* 7/2004 Koyess ..... D2/946  
 6,817,112 B2 11/2004 Berger et al.  
 6,854,603 B2 2/2005 Klare  
 D517,306 S \* 3/2006 Hoeft ..... D2/972  
 D522,223 S \* 6/2006 Murphy ..... D2/972  
 7,818,895 B2 10/2010 Boone et al.  
 D669,667 S \* 10/2012 Sakurai ..... D2/946  
 8,359,769 B2 1/2013 Vattes et al.  
 D784,665 S \* 4/2017 Yeh ..... D2/946  
 2002/0120977 A1 9/2002 Smith  
 2004/0111918 A1 6/2004 Van Noy et al.  
 2004/0221482 A1 11/2004 Berger et al.  
 2005/0028405 A1 2/2005 Wilson et al.  
 2014/0033575 A1 2/2014 Cruikshank

FOREIGN PATENT DOCUMENTS

EP 0350611 1/1990  
 EP 0353430 2/1990  
 EP 042 556 5/1991  
 EP 0458174 11/1991  
 EP 0732067 9/1996  
 EP 0800777 10/1997  
 EP 0910964 12/2000  
 EP 1118280 1/2002  
 EP 2220955 A1 8/2010  
 EP 2740379 A1 6/2014  
 FR 1310482 11/1962  
 GB 191514398 2/1916  
 WO 0051457 9/2000  
 WO 2008082449 A2 7/2008

\* cited by examiner

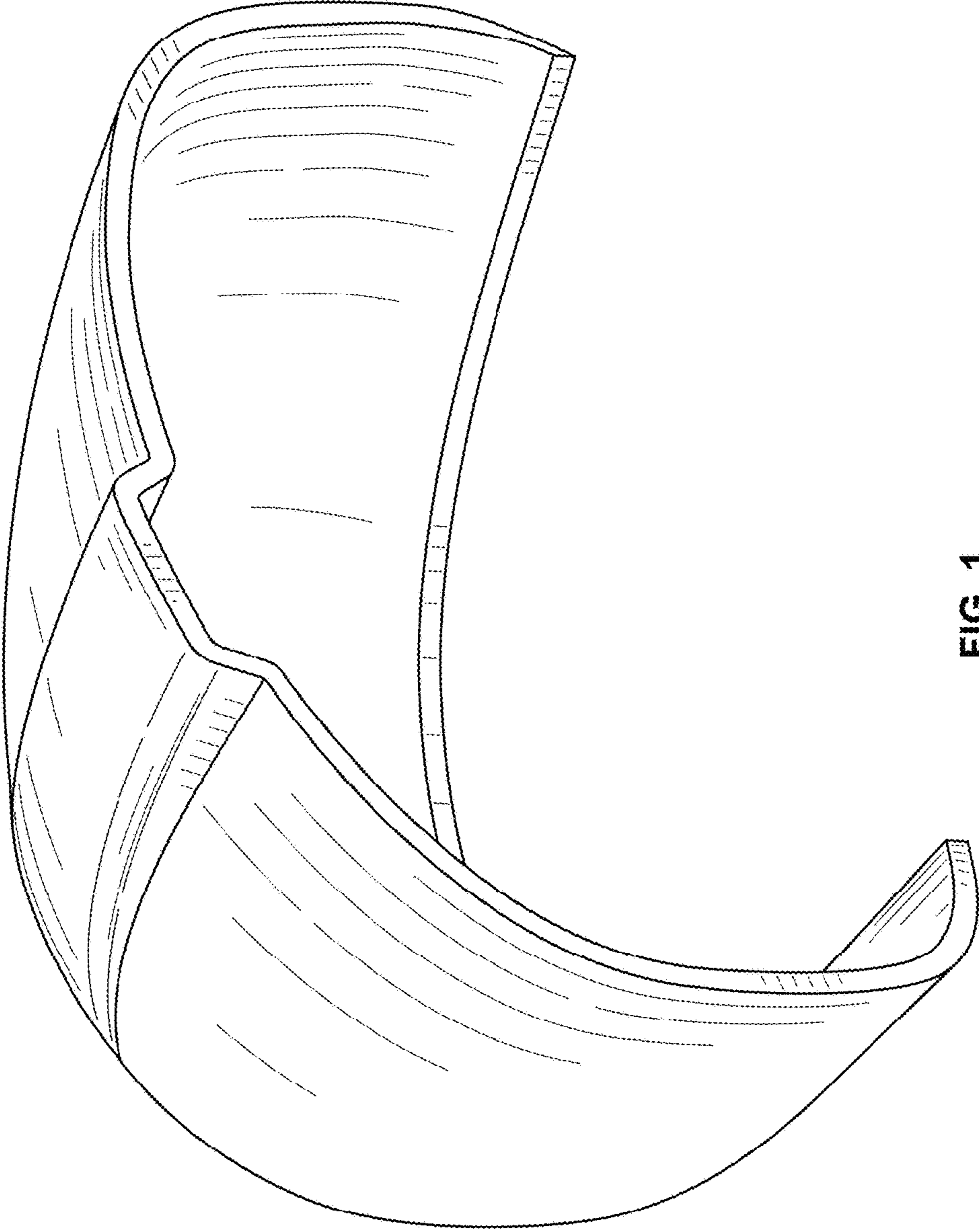


FIG. 1

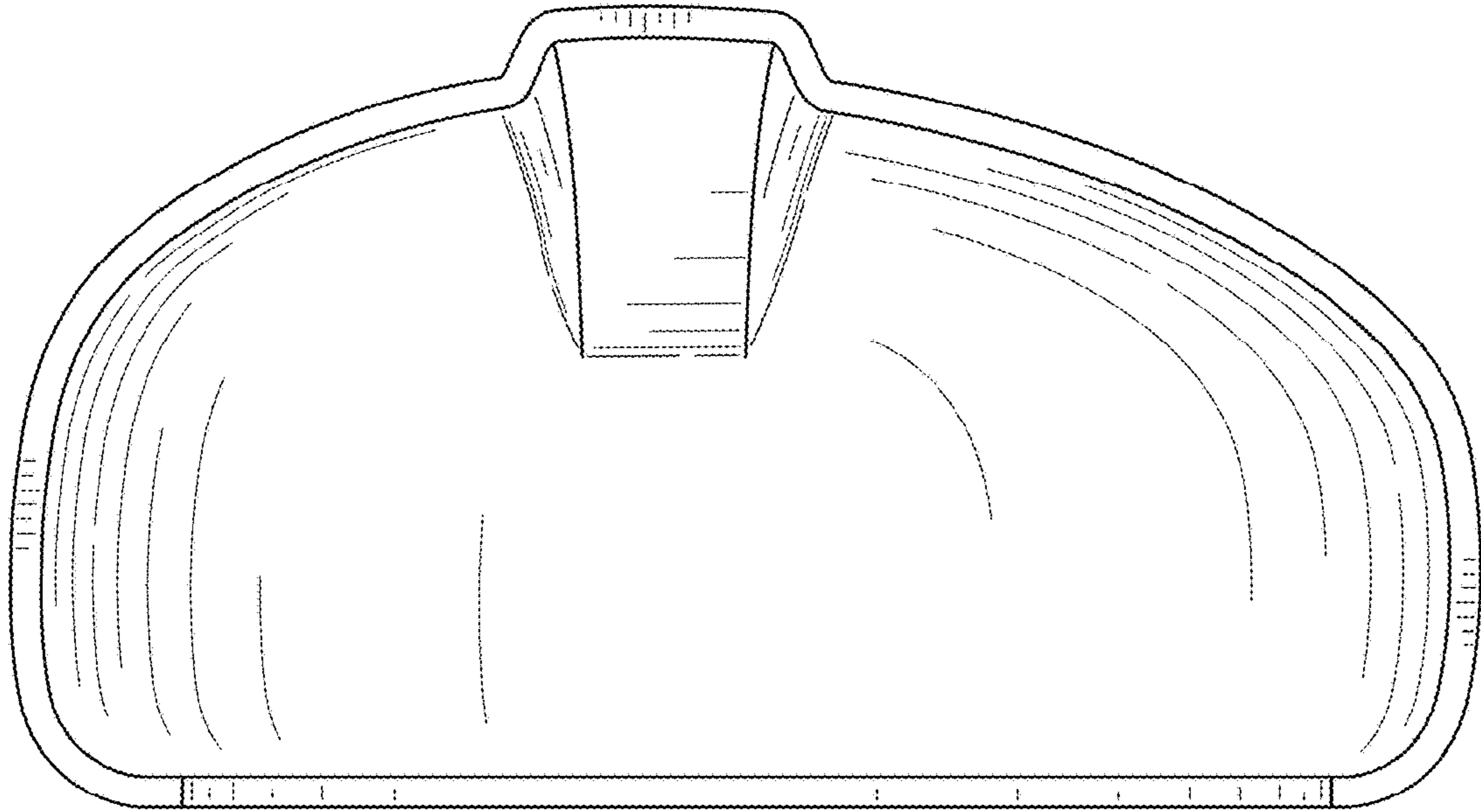


FIG. 2

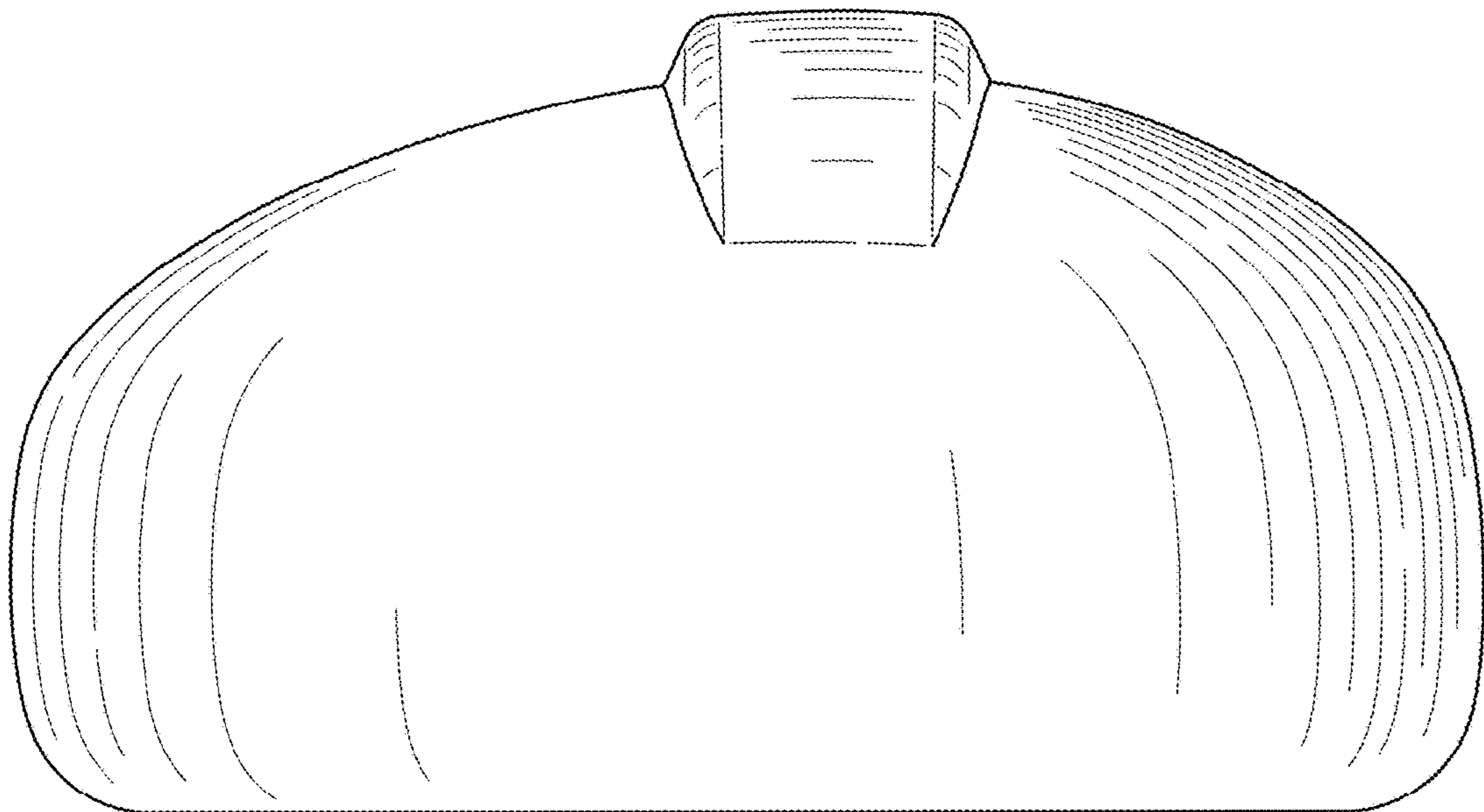


FIG. 3

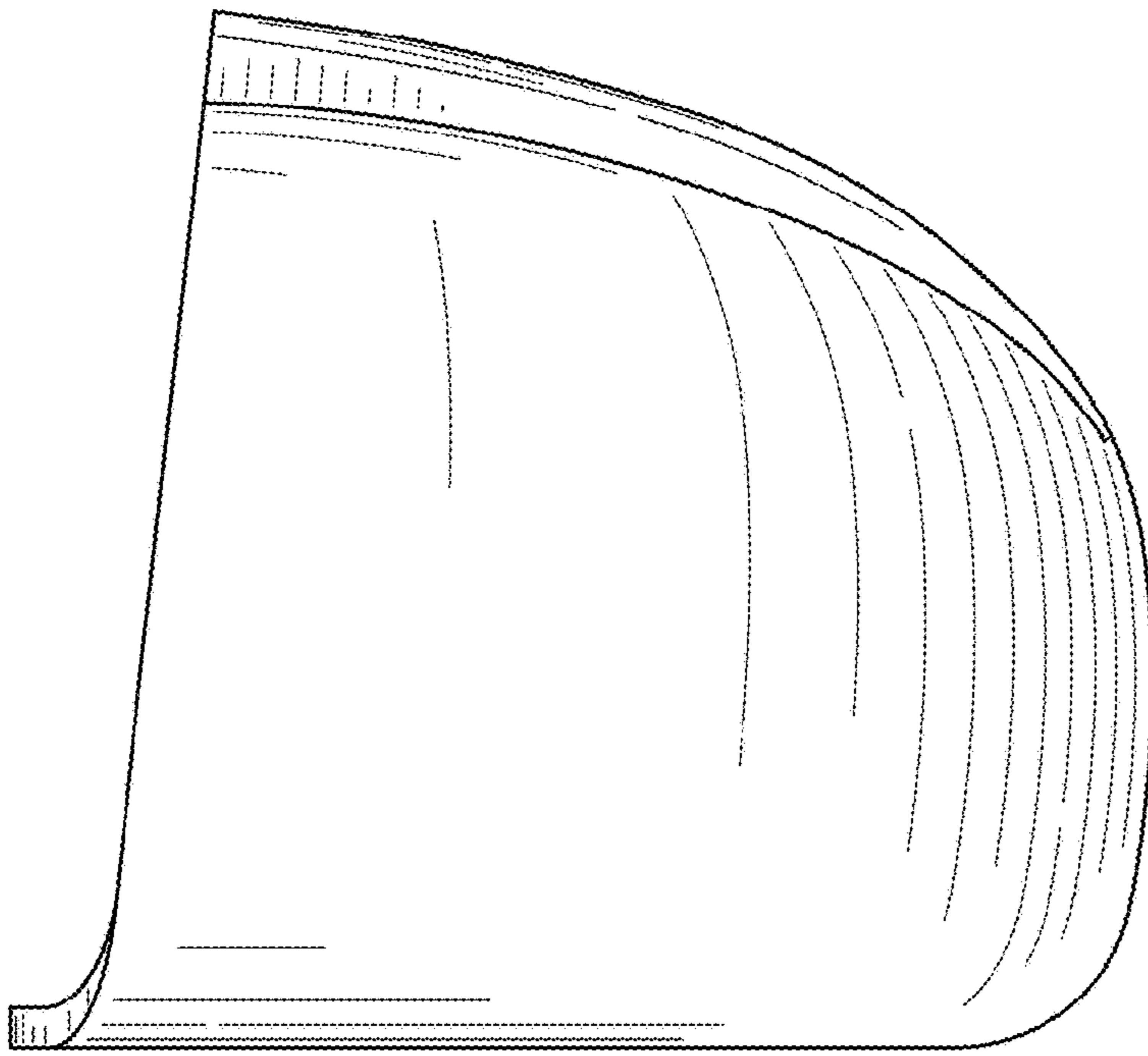


FIG. 4

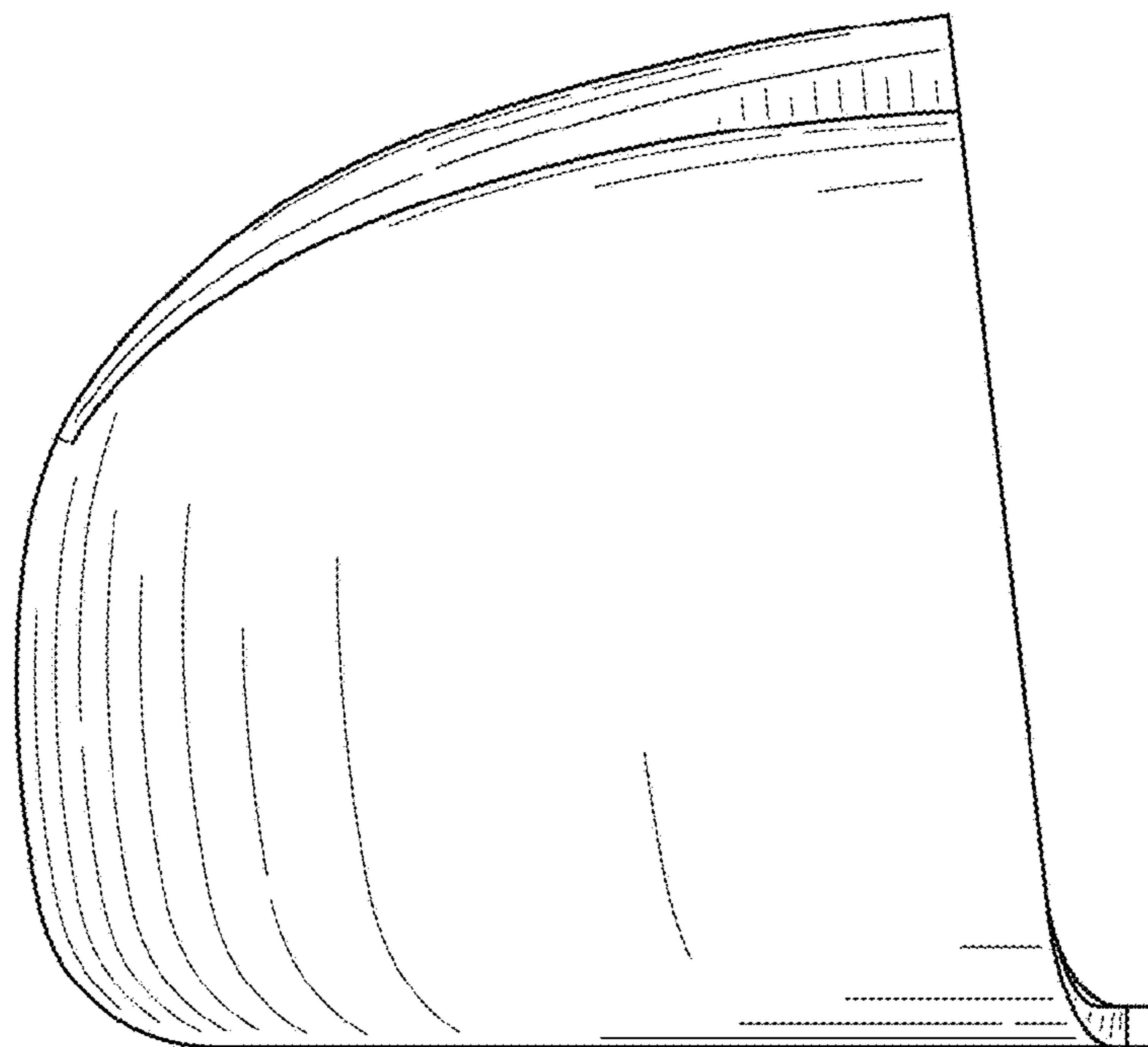


FIG. 5

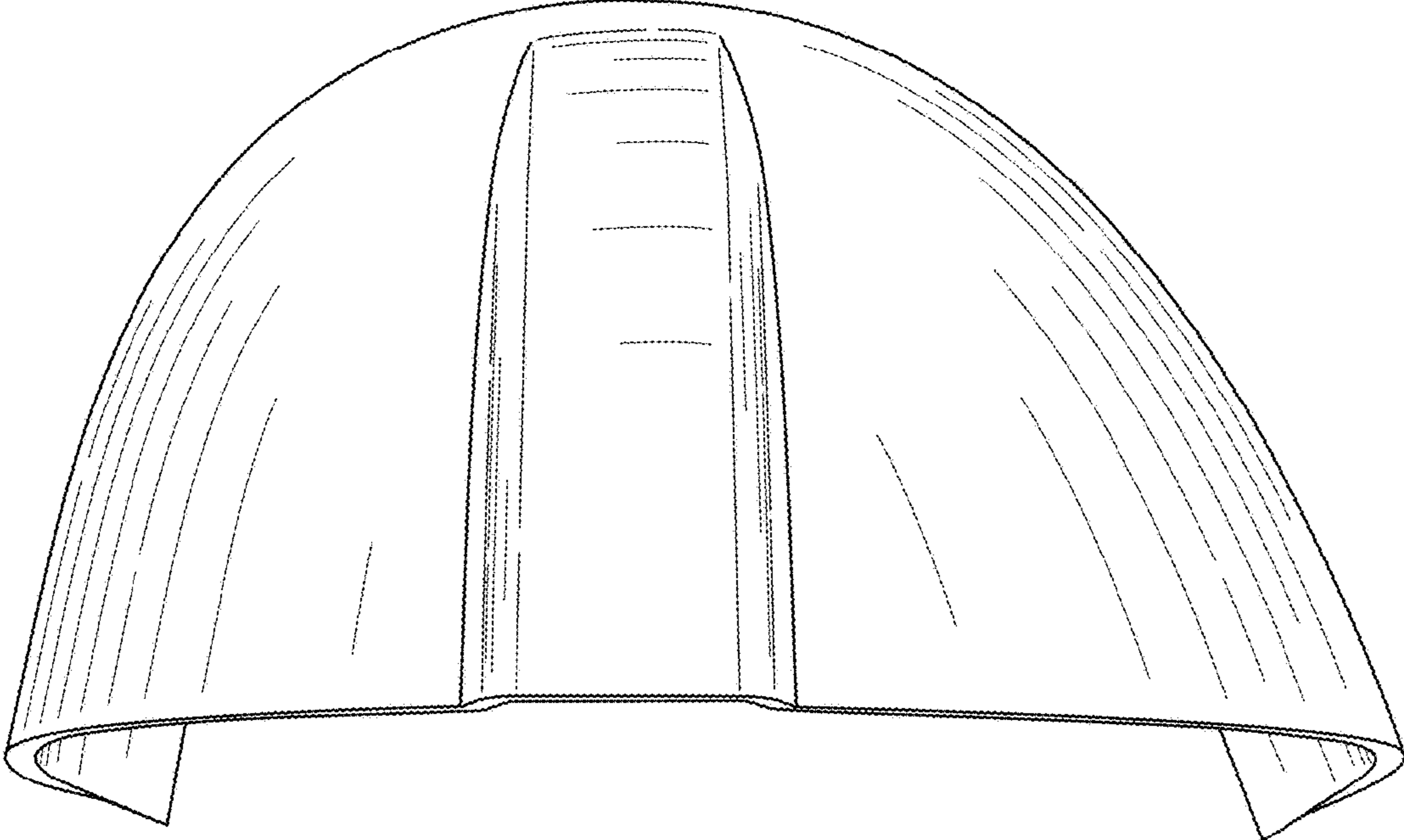


FIG. 6

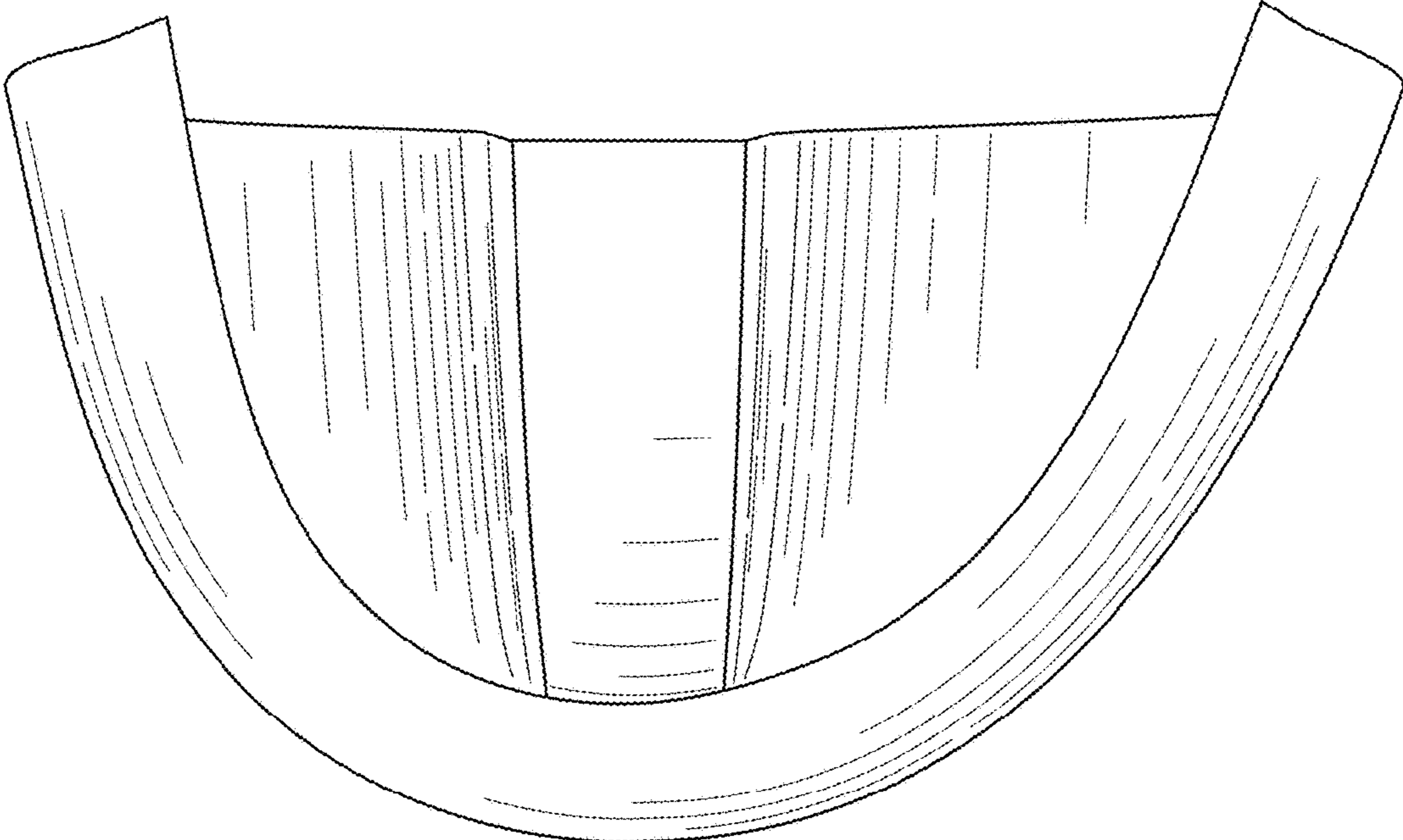


FIG. 7