



US00D831310S

(12) **United States Design Patent**  
**Agnese et al.**

(10) **Patent No.:** **US D831,310 S**  
(45) **Date of Patent:** **\*\* Oct. 23, 2018**

(54) **CAP WITH TRANSPARENT HOLDER**

(71) Applicants: **Carrie Agnese**, E. Setauket, NY (US);  
**Joseph Agnese**, E. Setauket, NY (US)

(72) Inventors: **Carrie Agnese**, E. Setauket, NY (US);  
**Joseph Agnese**, E. Setauket, NY (US)

(\*\*) Term: **15 Years**

(21) Appl. No.: **29/609,594**

(22) Filed: **Jul. 2, 2017**

(51) **LOC (11) Cl.** ..... **02-03**

(52) **U.S. Cl.**  
USPC ..... **D2/882; D2/866**

(58) **Field of Classification Search**

USPC ..... D2/865, 866, 869, 870, 871, 872, 873,  
D2/874, 875, 876, 877, 878, 879, 880,  
D2/881, 882, 883, 884, 885, 886, 887,  
D2/888, 889, 890, 891, 892, 893, 894,  
D2/895; D14/129, 299, 372; D16/311,  
D16/312

CPC .. A42B 1/00; A42B 1/004; A42B 1/02; A42B  
1/06; A42B 1/062; A42B 1/206; A42B  
1/24; A42B 1/242; A42B 1/245; A42B  
1/247; A42B 1/248; A42B 3/00; A42B  
3/042; A42B 3/30; A42B 3/306; A42C  
5/00; G02B 27/017; G02B 27/172; G02B  
27/0176; G02B 2027/0178

See application file for complete search history.

(56) **References Cited**

**U.S. PATENT DOCUMENTS**

D317,223 S \* 6/1991 Copeland ..... D2/872  
D353,036 S \* 12/1994 Lackey ..... D2/869  
D359,383 S \* 6/1995 Hutchinson ..... D2/866  
5,452,479 A \* 9/1995 Mostert ..... A42B 1/248  
2/195.1  
5,465,426 A \* 11/1995 Beaton ..... A42B 1/248  
2/181  
D365,916 S \* 1/1996 Hutchinson ..... D2/866

D401,738 S \* 12/1998 Scerbo ..... D2/882  
D407,890 S \* 4/1999 Frank ..... D2/866  
D417,063 S \* 11/1999 Henning ..... D2/866

(Continued)

*Primary Examiner* — Karen S Acker

*Assistant Examiner* — Jasmine Mlinarcik

(74) *Attorney, Agent, or Firm* — Betsy Kingsbury Dowd;  
BKDowd Law, P.C.

(57) **CLAIM**

The ornamental design for a cap with transparent holder, as depicted and described.

**DESCRIPTION**

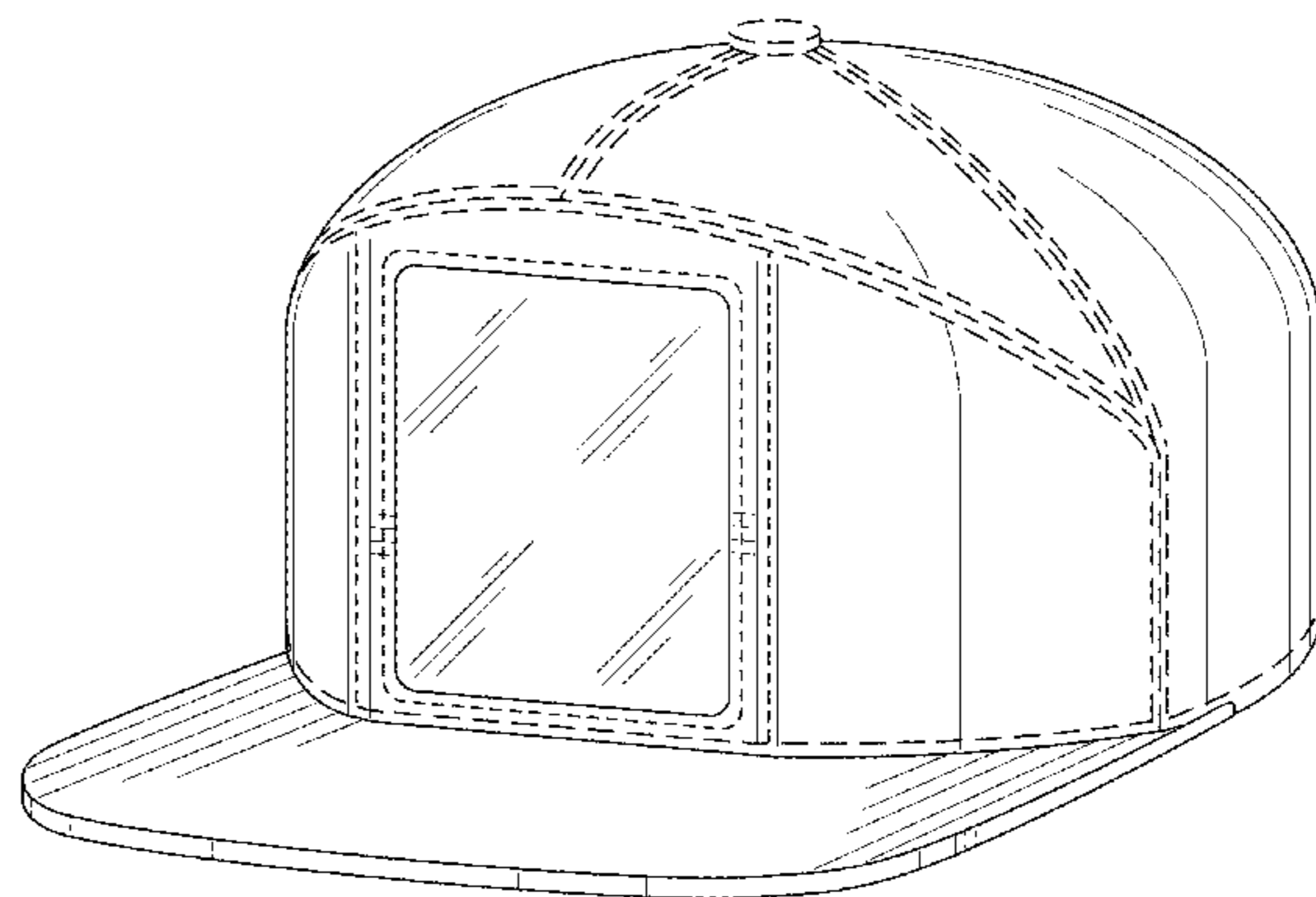
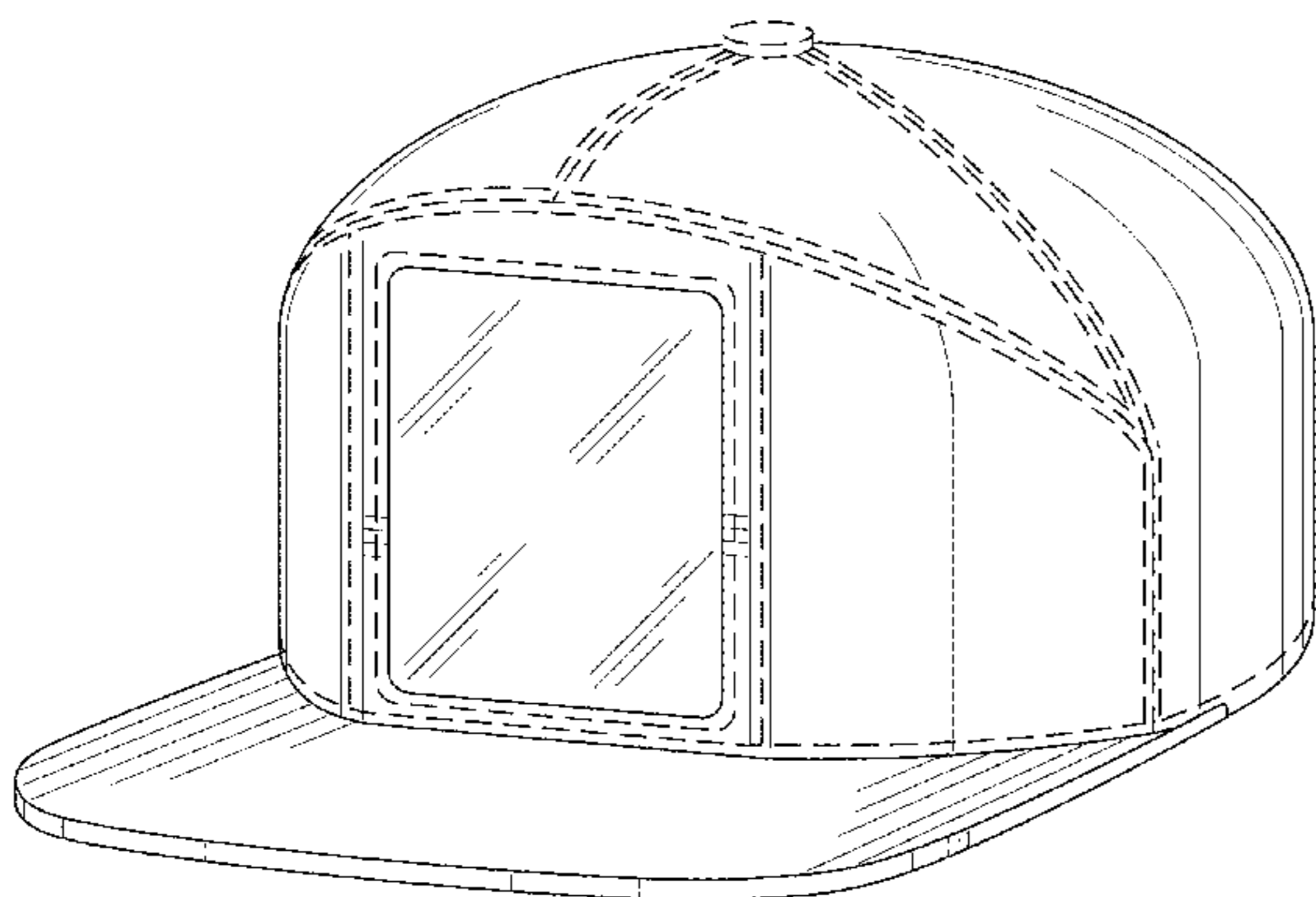
FIG. 1 is a top perspective view of a cap with transparent holder depicting, our new design;  
FIG. 2 is a front view thereof;  
FIG. 3 is a left side view thereof;  
FIG. 4 is a right side view thereof;  
FIG. 5 is a top view thereof; and  
FIG. 6 is a top perspective view thereof with a card inserted in the transparent holder;

FIG. 7 is a top perspective view of a second embodiment of a cap with transparent holder depicting our new design;  
FIG. 8 is a front view thereof;  
FIG. 9 is a left side view thereof;  
FIG. 10 is a right side view thereof;  
FIG. 11 is a top view thereof; and,  
FIG. 12 is a top perspective view thereof with a card inserted in the transparent holder.

The broken line surrounding the holder and the vertical line on each side of the transparent window in FIGS. 7-12 depict claimed stitching on the article.

In FIGS. 1-6 the stitching is not claimed. All other broken lines in both embodiments depict portions of the cap with transparent holder that form no part of the claimed design. The card subject matter in FIGS. 6 and 12 illustrate environmental subject matter that forms no part of the claimed design.

**1 Claim, 12 Drawing Sheets**



(56)

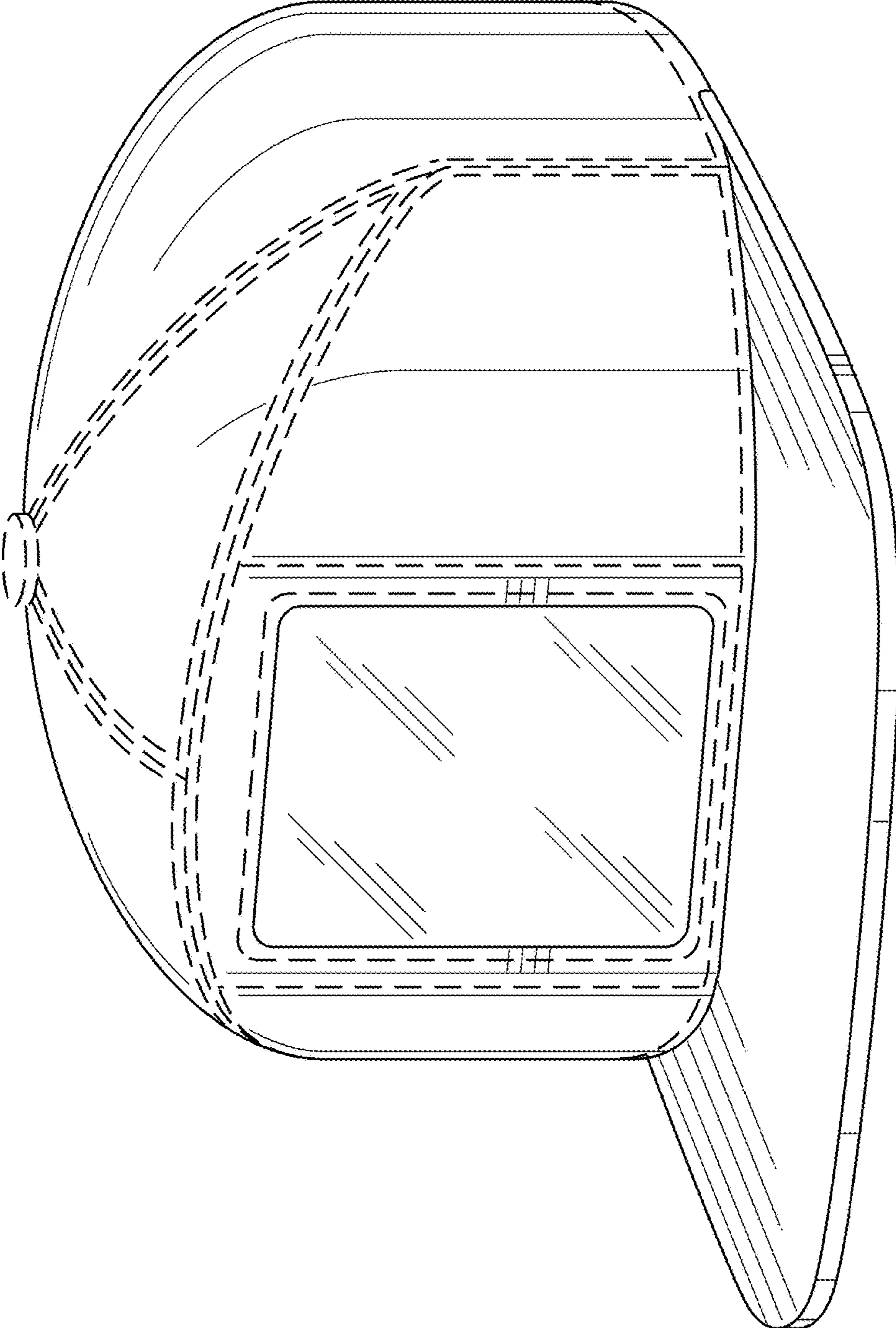
**References Cited**

U.S. PATENT DOCUMENTS

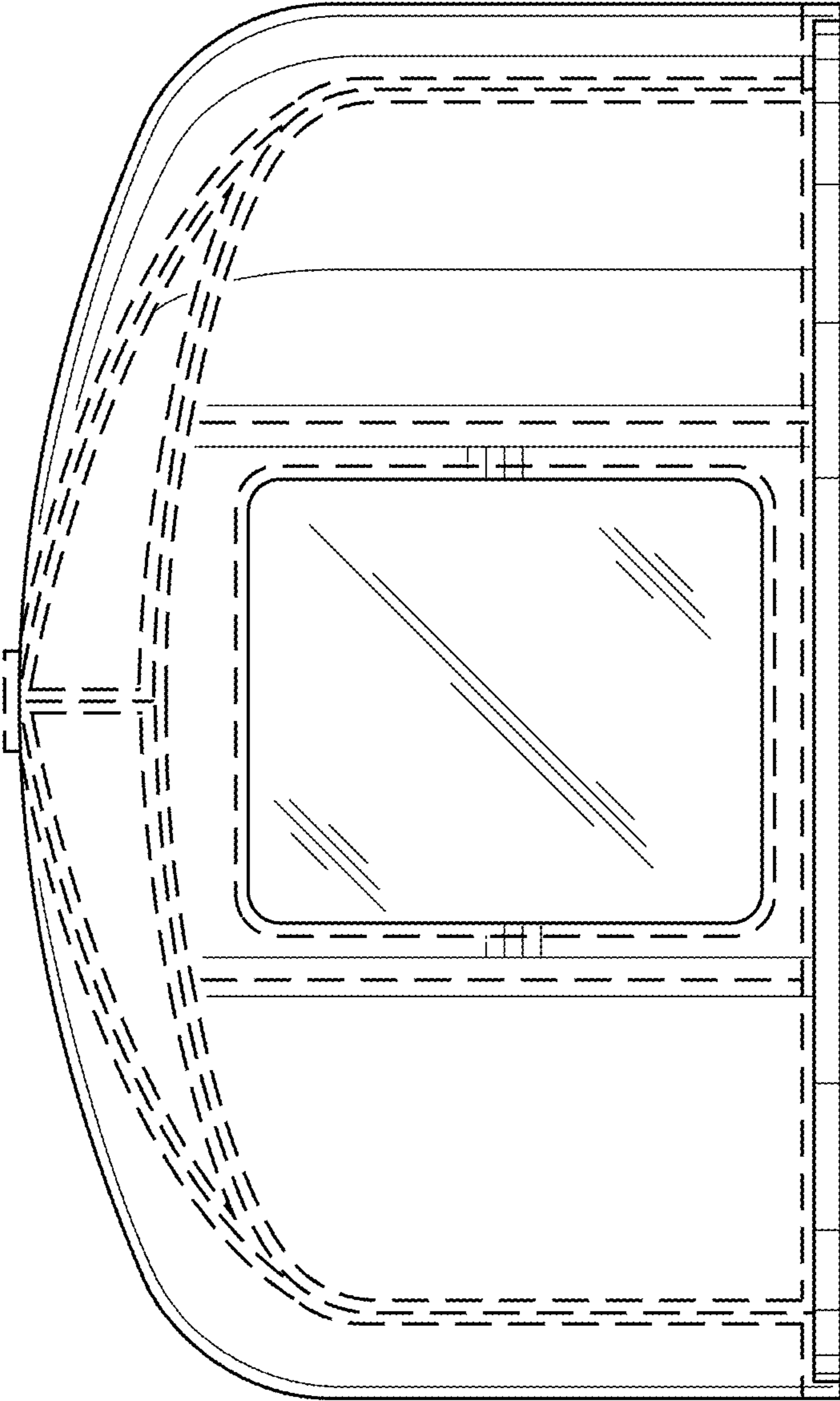
6,154,992 A \* 12/2000 Lee ..... A42B 1/248  
2/209.13  
6,240,568 B1 \* 6/2001 Lee ..... A41D 27/08  
2/195.1  
D635,336 S \* 4/2011 Alger ..... D2/866  
D647,286 S \* 10/2011 Malek ..... D2/866  
D699,928 S \* 2/2014 Tien ..... D2/882  
9,244,211 B2 \* 1/2016 Campbell ..... A42B 1/242  
D765,357 S \* 9/2016 Zenoff ..... D2/866  
D801,644 S \* 11/2017 Zenoff ..... D2/882  
2008/0141567 A1 \* 6/2008 Chen ..... A42B 1/248  
40/1.5  
2010/0313334 A1 \* 12/2010 Moy ..... A42B 1/248  
2/209.13  
2012/0005809 A1 \* 1/2012 Johnson ..... A42B 1/248  
2/209.13

\* cited by examiner

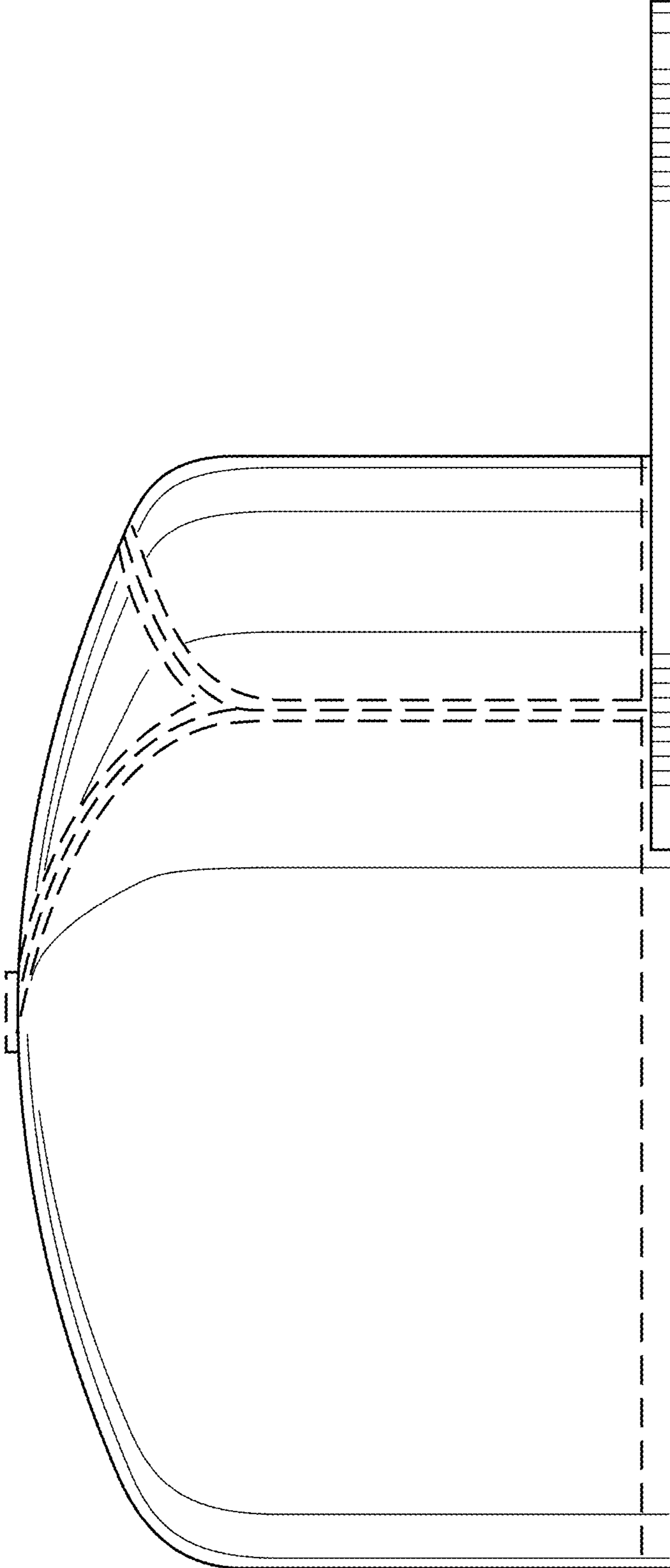
**FIG. 1**



**FIG. 2**

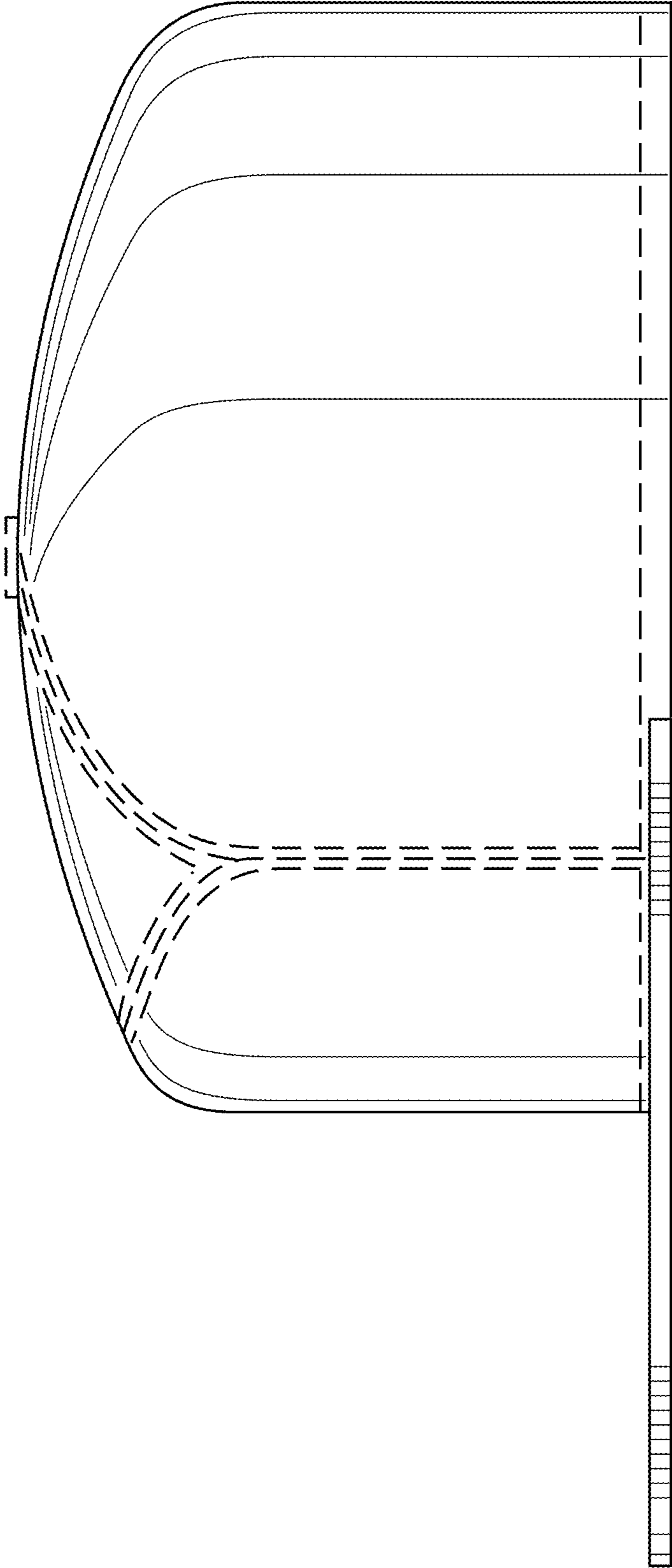


**FIG. 3**





**FIG. 4**



**FIG. 5**

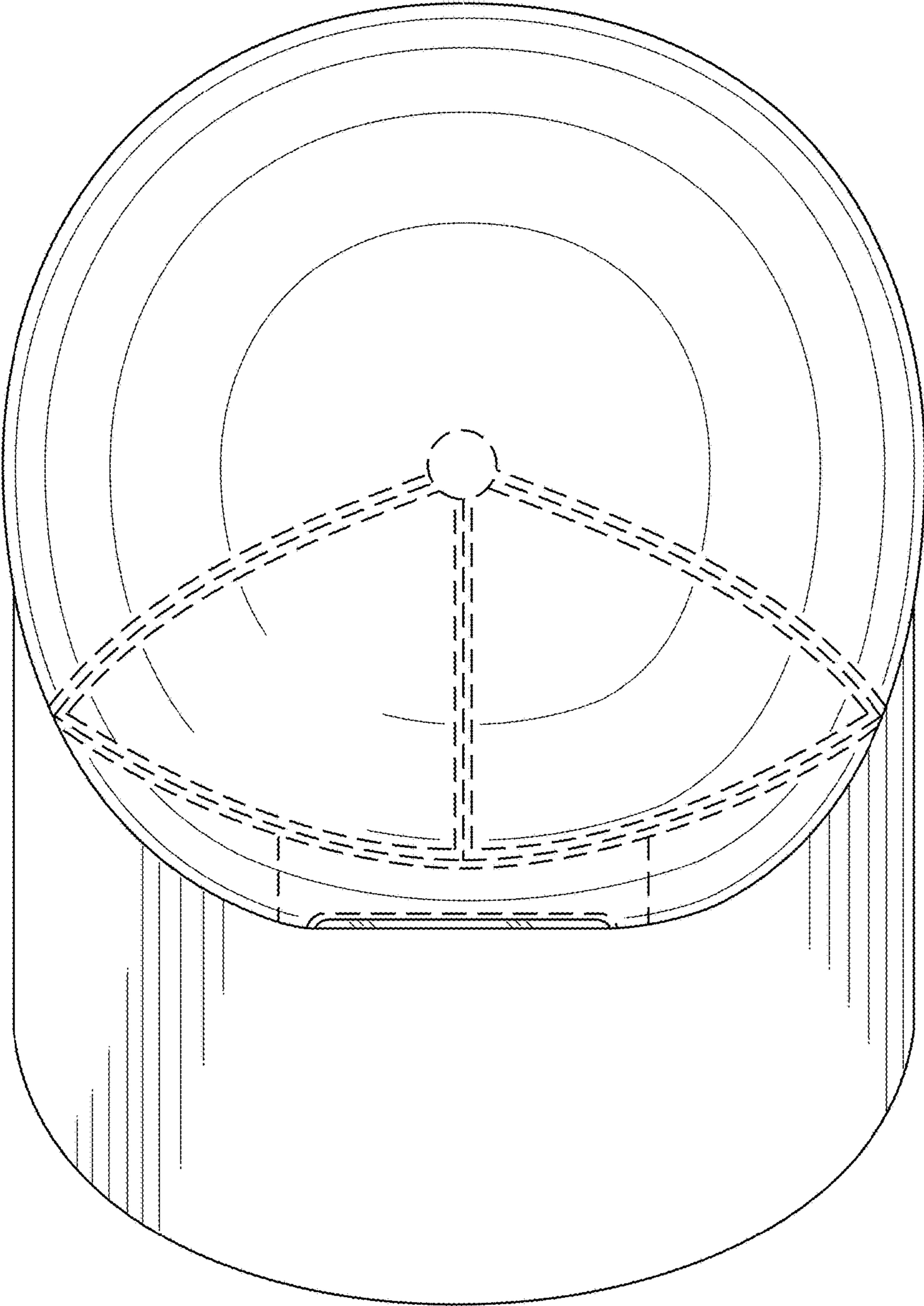
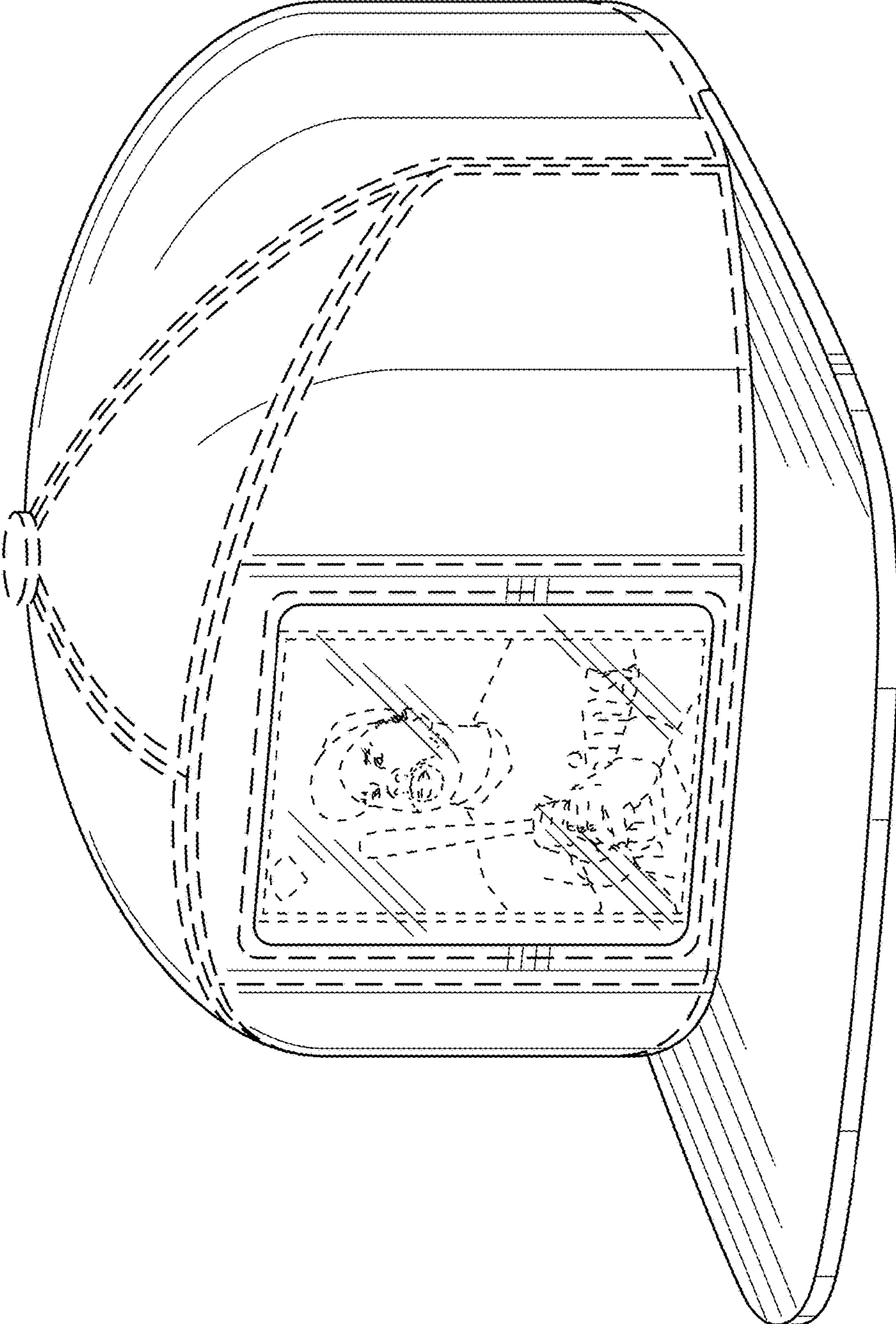
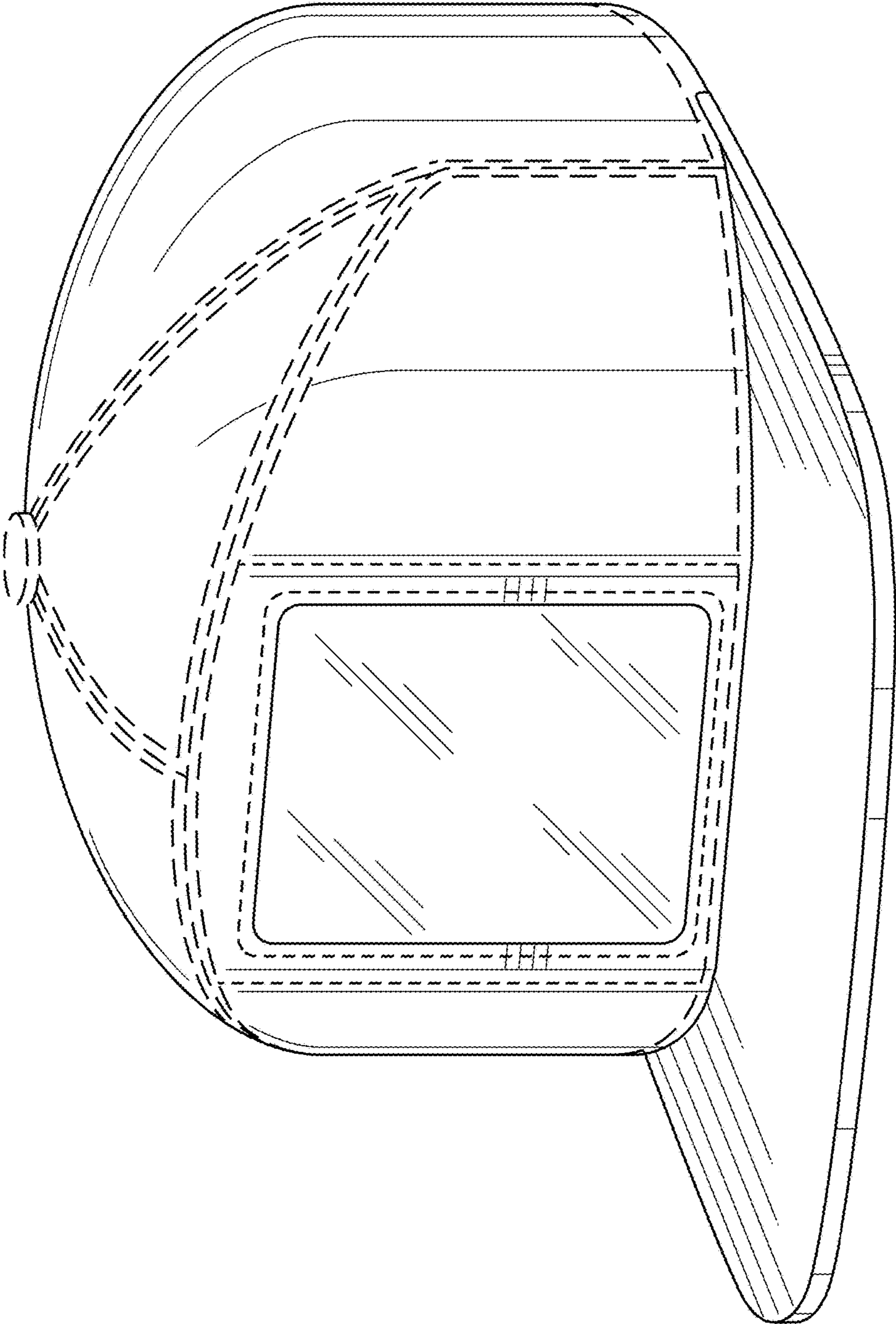


FIG. 6

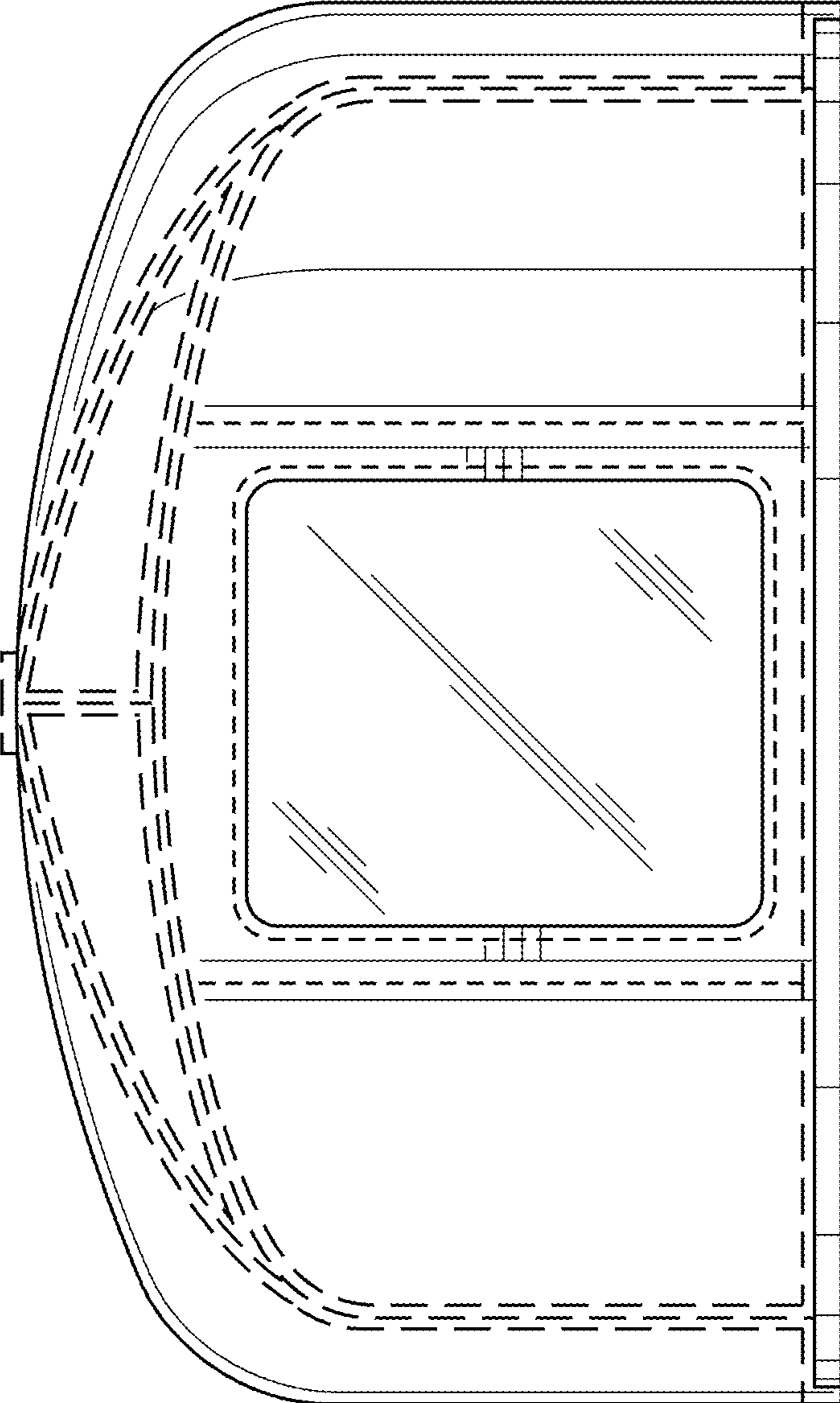




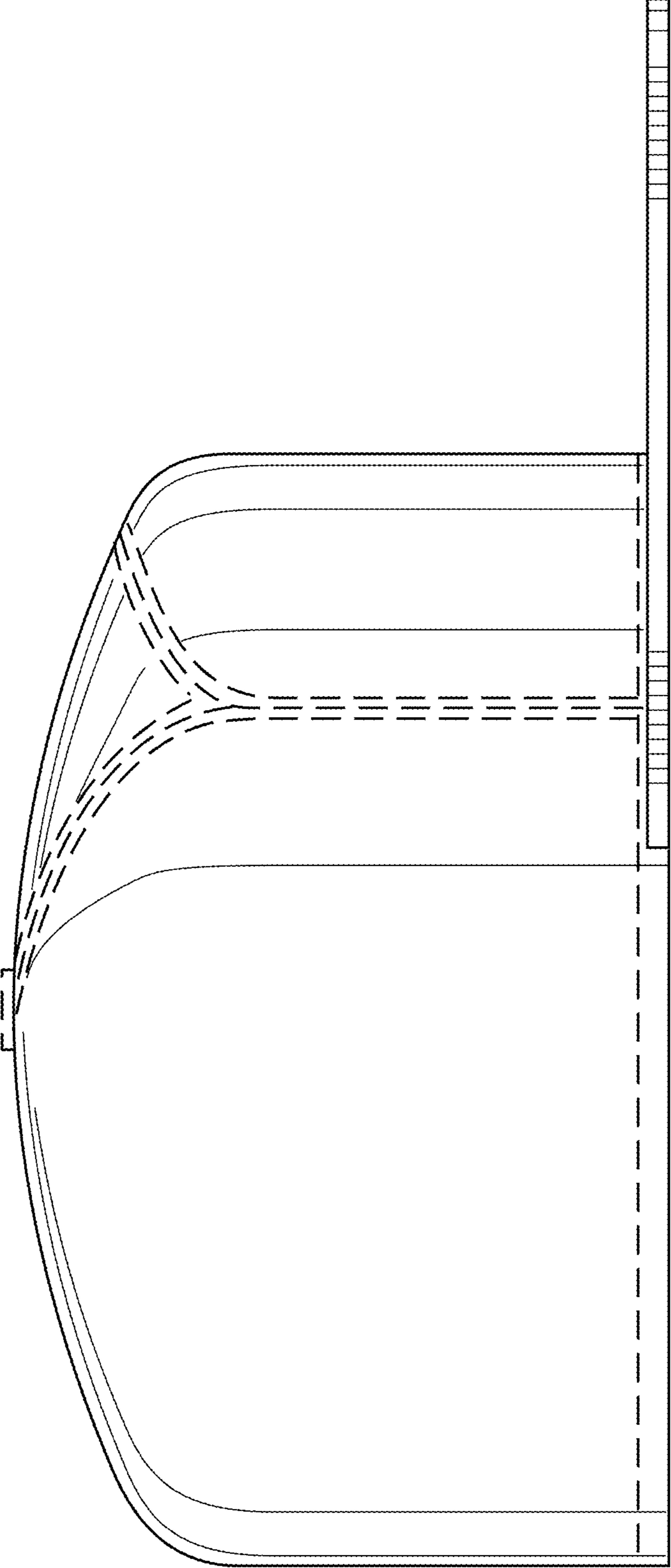
**FIG. 7**



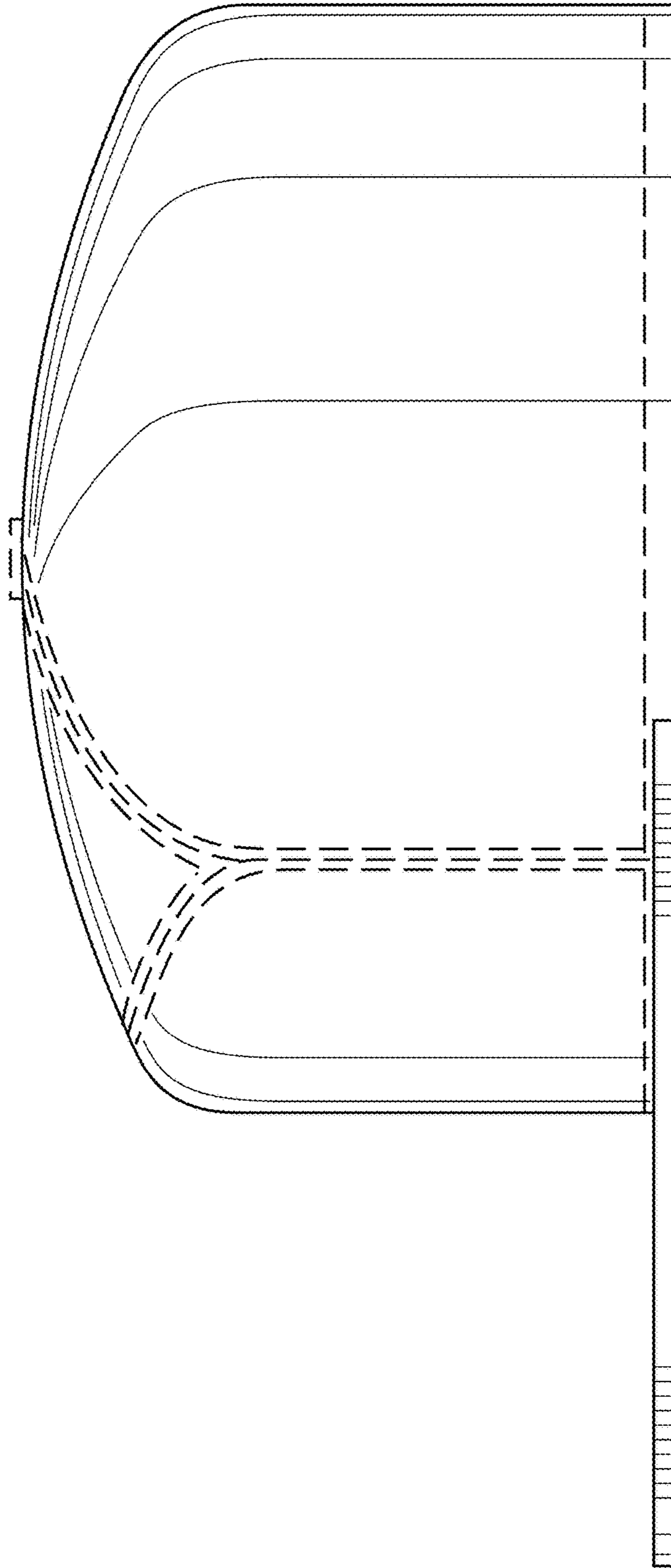
**FIG. 8**



**FIG. 9**



**FIG. 10**



**FIG. 11**

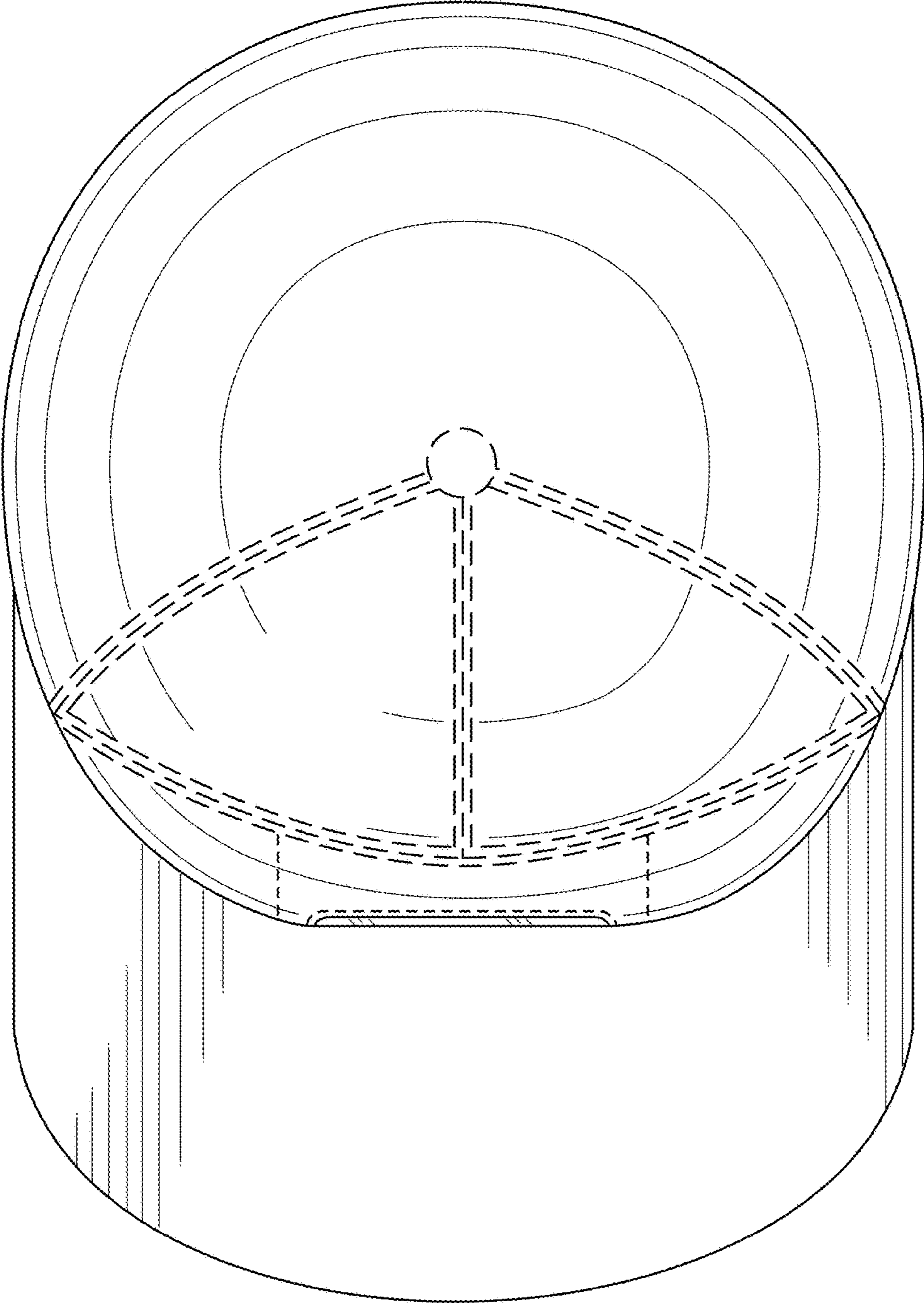




FIG. 12

