



US00D831309S

(12) **United States Design Patent**  
**Munoz et al.**

(10) **Patent No.:** **US D831,309 S**  
(45) **Date of Patent:** **\*\* Oct. 23, 2018**

(54) **GOLFING HAT**

(71) Applicants: **Daniel Munoz**, Whittier, CA (US);  
**Michael Trang**, Westminster, CA (US);  
**Christopher Porro**, La Habra, CA  
(US); **Ronald Sandoval**, Whittier, CA  
(US); **Elijah Flores**, Whittier, CA (US);  
**Eric Frank**, Whittier, CA (US); **Emilio  
Castro**, Brooklyn, NY (US); **Matthew  
Benitez**, La Habra, CA (US)

(72) Inventors: **Daniel Munoz**, Whittier, CA (US);  
**Michael Trang**, Westminster, CA (US);  
**Christopher Porro**, La Habra, CA  
(US); **Ronald Sandoval**, Whittier, CA  
(US); **Elijah Flores**, Whittier, CA (US);  
**Eric Frank**, Whittier, CA (US); **Emilio  
Castro**, Brooklyn, NY (US); **Matthew  
Benitez**, La Habra, CA (US)

(\*\*) Term: **15 Years**

(21) Appl. No.: **29/603,899**

(22) Filed: **May 12, 2017**

(51) **LOC (11) Cl.** ..... **02-03**

(52) **U.S. Cl.**  
USPC ..... **D2/882; D2/866**

(58) **Field of Classification Search**  
USPC ..... D2/865, 866, 869, 871, 872, 873, 876,  
D2/879, 882, 886, 891, 893  
CPC ..... A42B 1/00; A42B 1/004; A42B 1/006;  
A42B 1/02; A42B 1/06; A42B 1/061;  
A42B 1/062; A42B 1/063; A42B 1/24;  
A42B 1/241

See application file for complete search history.

(56) **References Cited**

**U.S. PATENT DOCUMENTS**

D396,738 S \* 8/1998 Territo ..... D2/866  
D488,292 S \* 4/2004 Haggberg ..... D2/866

D530,486 S \* 10/2006 Ruttan ..... D2/866  
D571,982 S \* 7/2008 Kirby ..... D2/882  
7,484,845 B2 \* 2/2009 Douglas ..... A42B 1/247  
2/209.13  
D601,330 S \* 10/2009 Bishop ..... D2/882  
D607,627 S \* 1/2010 Kowalczyk ..... D2/876  
D615,733 S \* 5/2010 Chappell ..... D2/886  
7,904,970 B2 \* 3/2011 Thomas ..... A42B 1/247  
2/195.6

(Continued)

**OTHER PUBLICATIONS**

“dvtsgolf” photo, [on-line]; [photo published to the Internet on Mar. 19, 2017]; [retrieved from the Internet on Jun. 3, 2018]; URL: <https://www.instagram.com/p/BR1wPW4jObs/?taken-by=dvtsgolf>. (1 pg). (Year: 2017).\*

*Primary Examiner* — Karen S Acker

*Assistant Examiner* — Jasmine Mlinarcik

(74) *Attorney, Agent, or Firm* — Plager Schack LLP;  
Mark H. Plager; Michael O’Brien

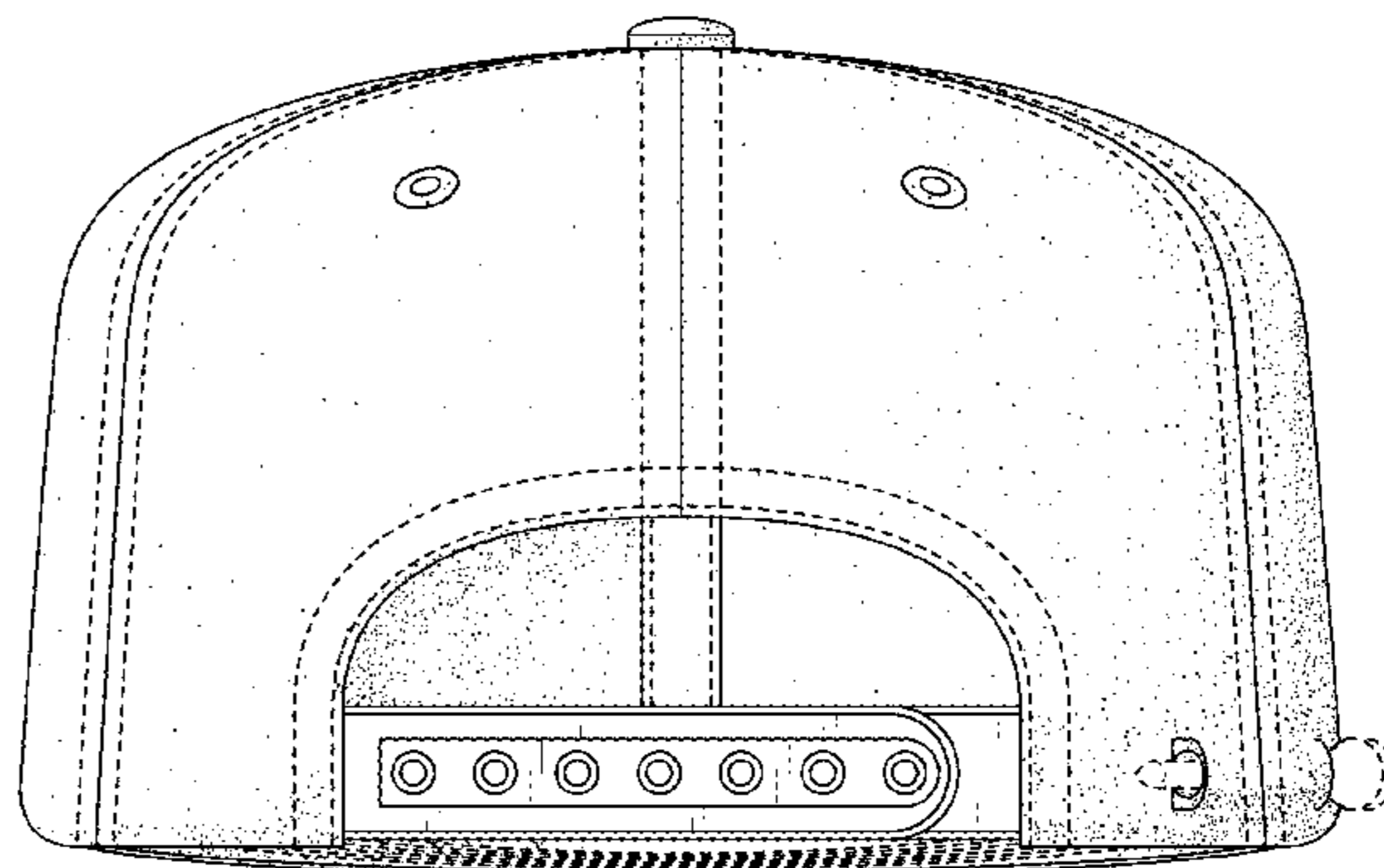
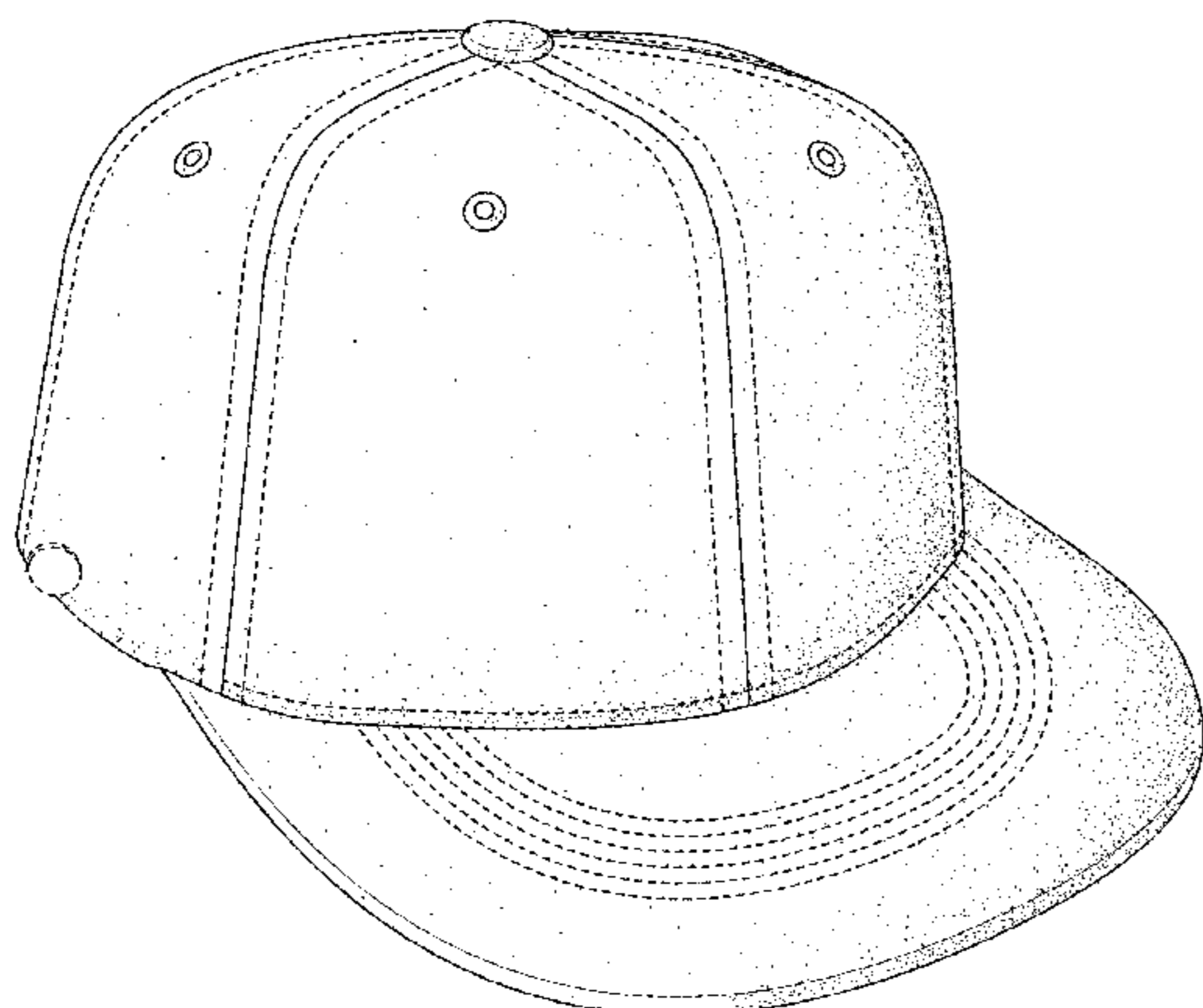
(57) **CLAIM**

The ornamental design for a golfing hat, as shown and described.

**DESCRIPTION**

FIG. 1 is a front perspective view of the golfing hat.  
FIG. 2 is a front view of the golfing hat.  
FIG. 3 is a rear view of the golfing hat.  
FIG. 4 is a first side view of the golfing hat.  
FIG. 5 is a second side view of the golfing hat.  
FIG. 6 is a top view of the golfing hat; and,  
FIG. 7 is a bottom view of the golfing hat.  
The broken lines show either stitching or an exemplary golf tee traveling through the golfing hat and form no part of the claimed design. A characteristic feature of this claimed design is the pair of openings on the first side of the hat that are configured to accommodate a golf tee.

**1 Claim, 7 Drawing Sheets**



(56)

**References Cited**

U.S. PATENT DOCUMENTS

7,979,921 B2 *	7/2011	Cotutsca .....	A42B 1/247 2/209.13
D654,251 S *	2/2012	Alkas-Shamoun .....	D2/882
D686,396 S *	7/2013	Rebitzer .....	D2/889
D709,675 S *	7/2014	Cho .....	D2/882
D759,946 S *	6/2016	Yurevich .....	D2/891
D759,947 S *	6/2016	Yurevich .....	D2/891
D812,860 S *	3/2018	White .....	D2/876
2015/0074869 A1 *	3/2015	Klas .....	A42B 1/241 2/209.13

\* cited by examiner

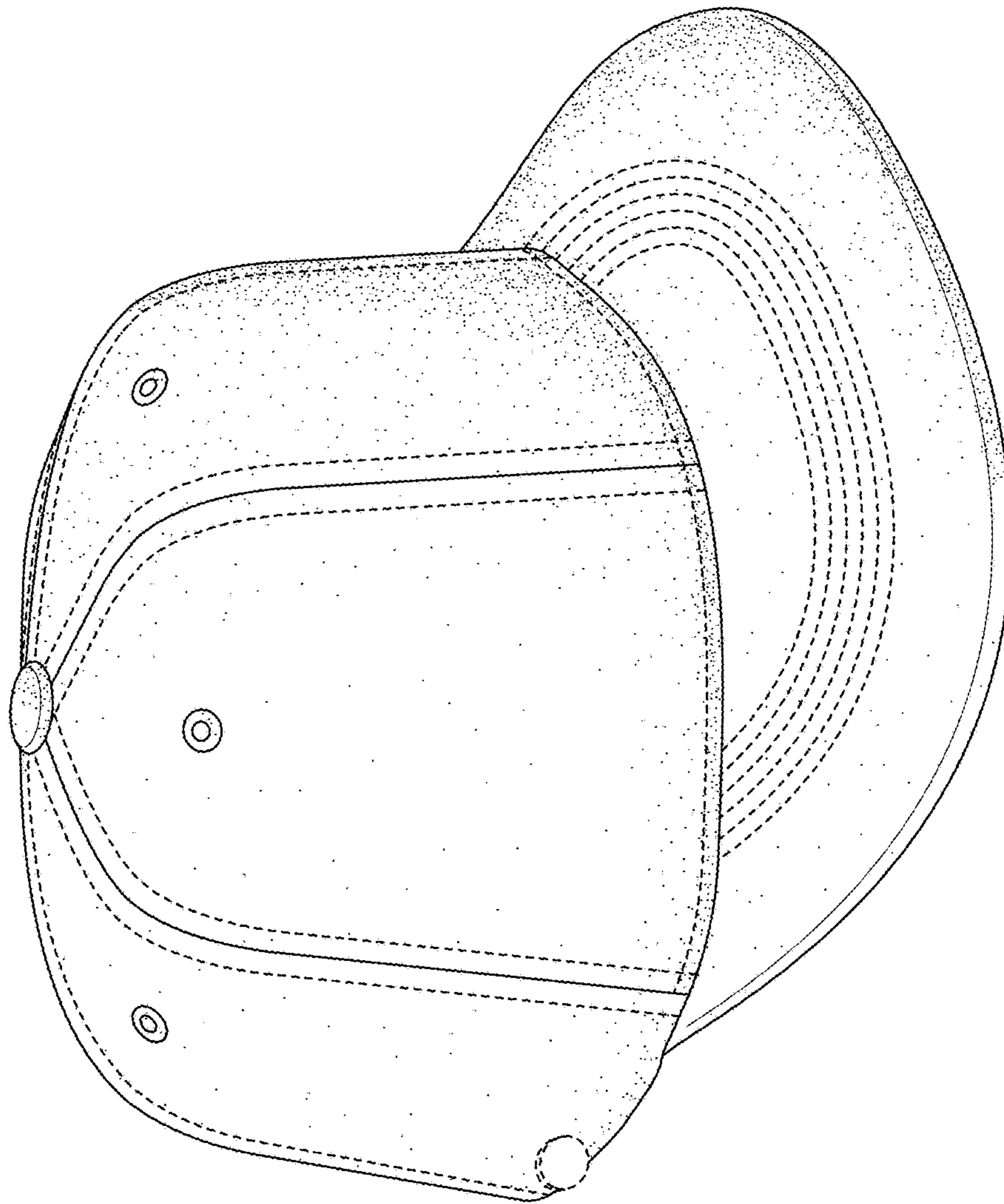


FIG. 1

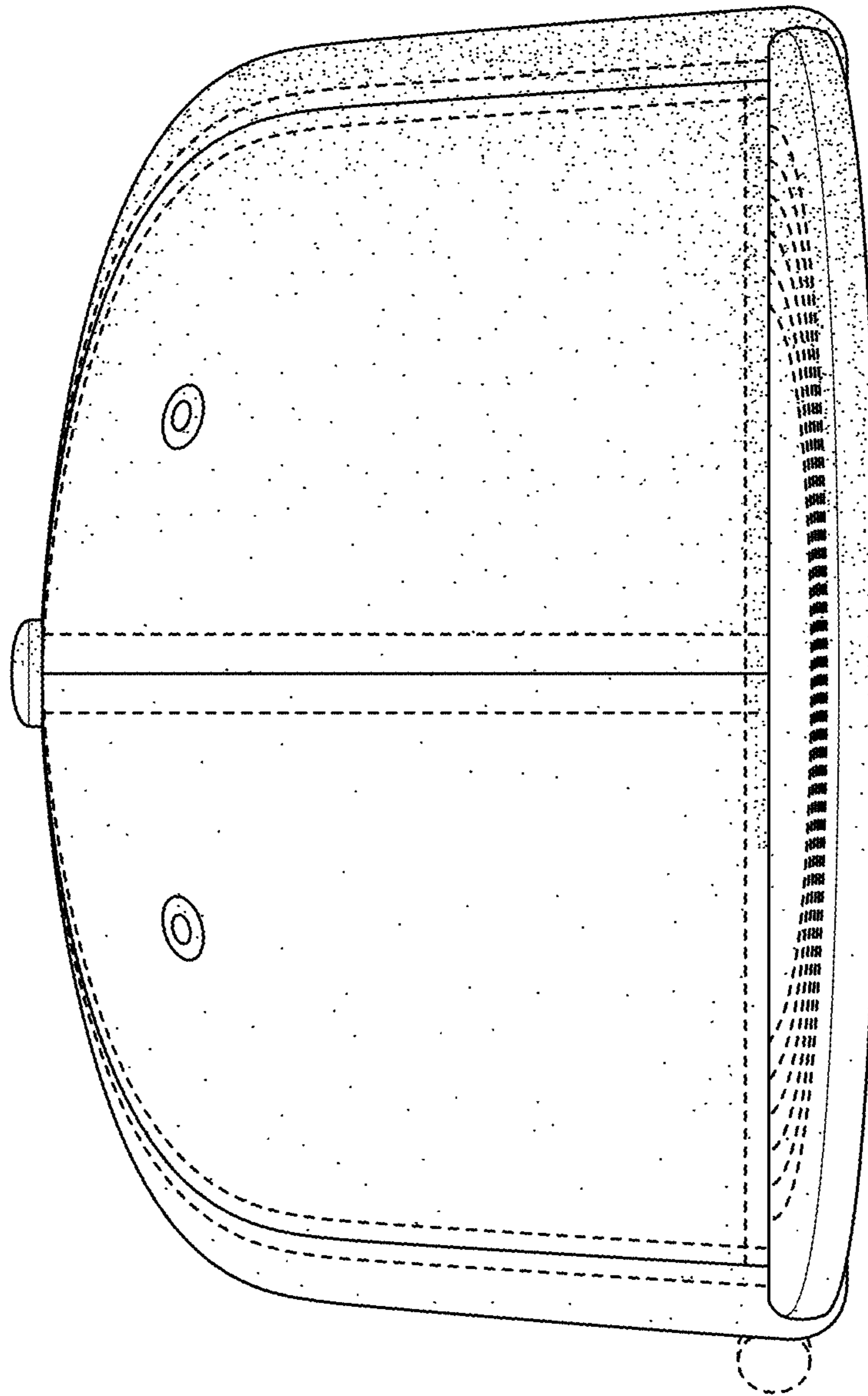


FIG. 2

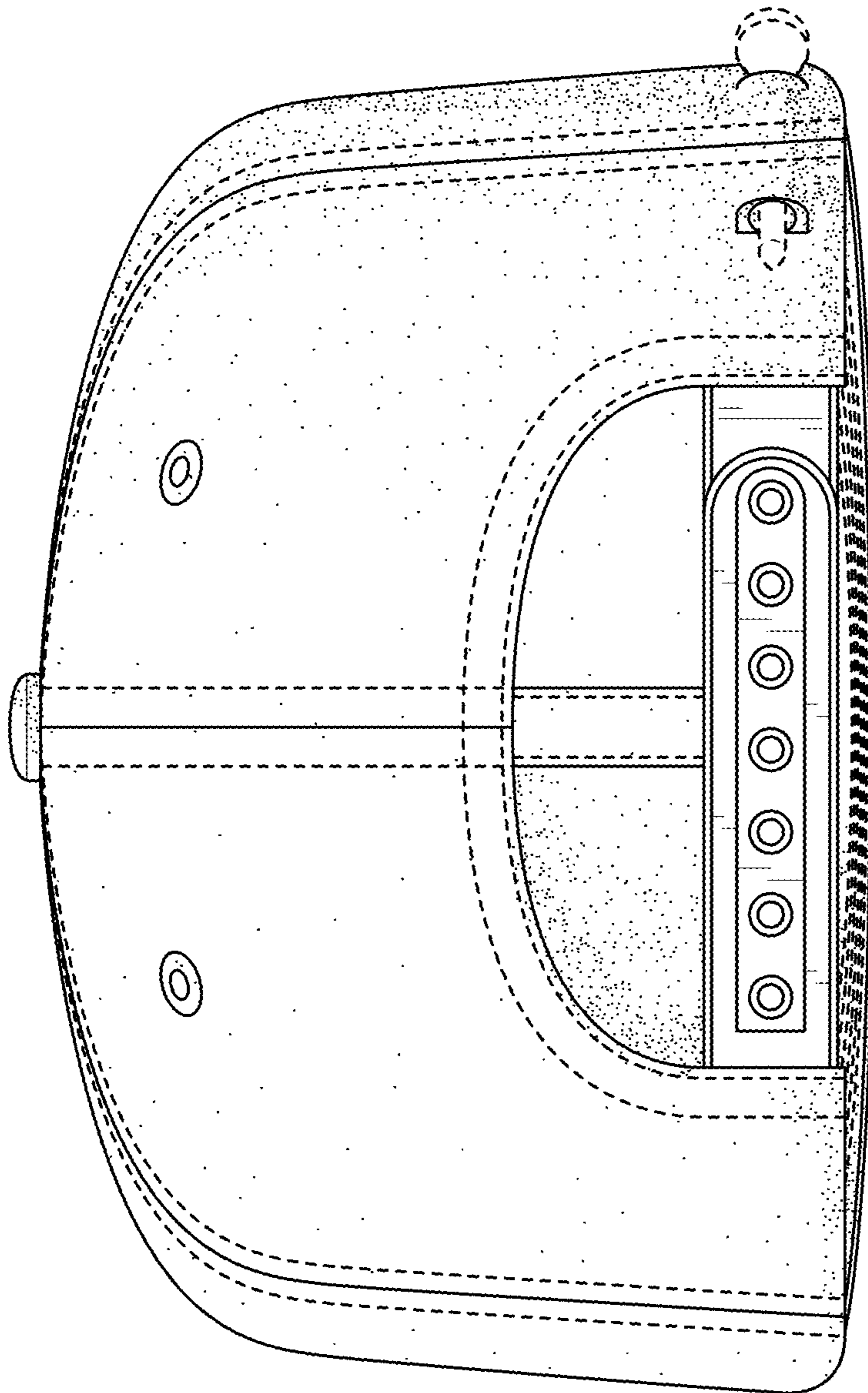


FIG. 3

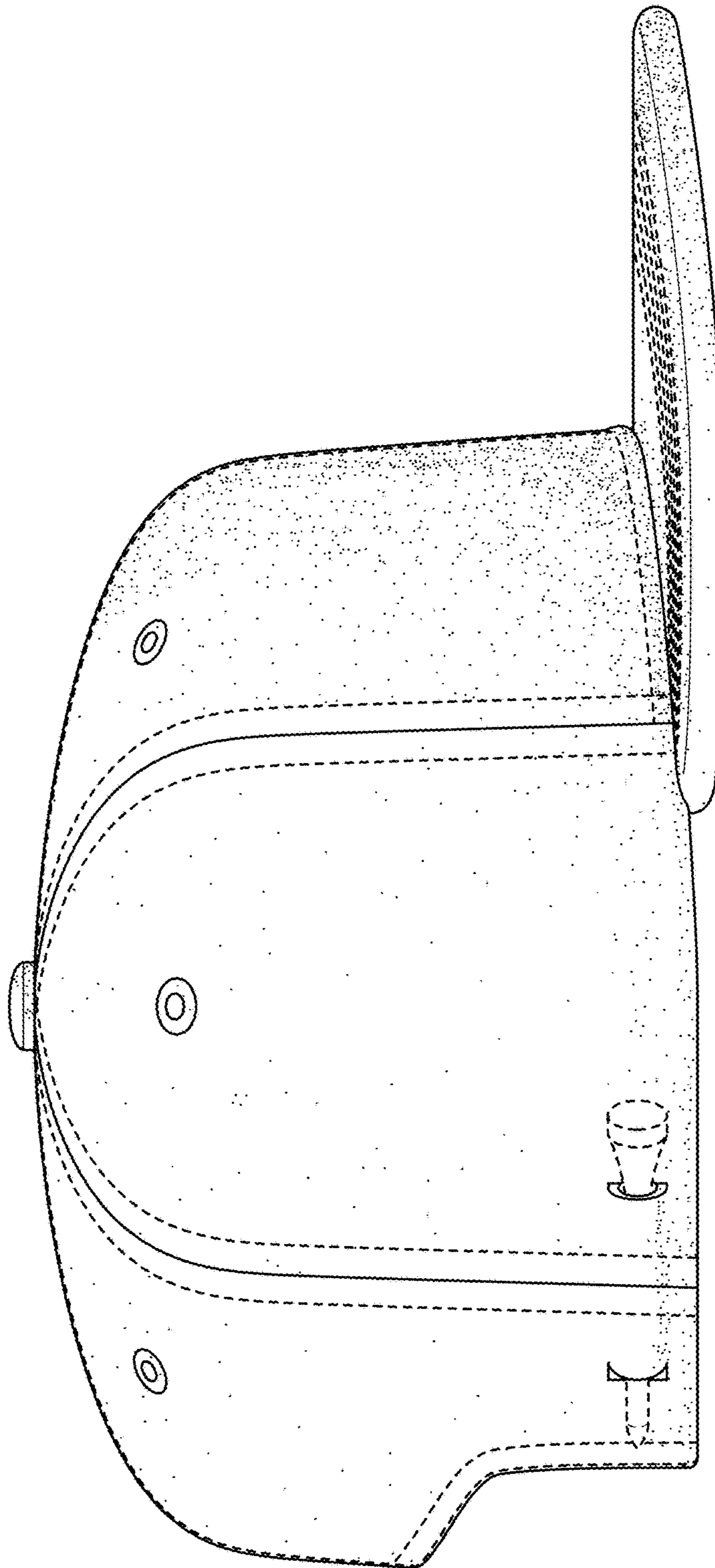


FIG. 4

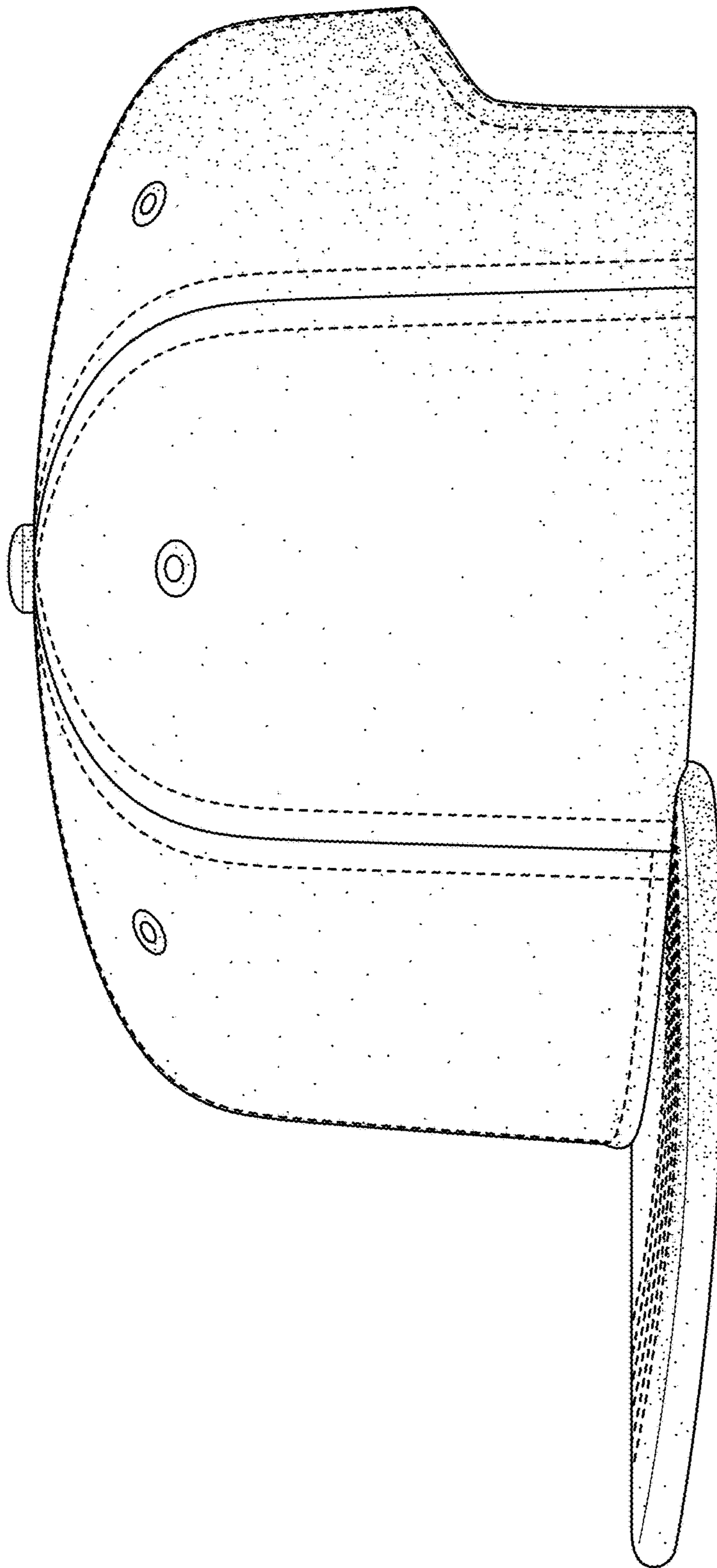


FIG. 5

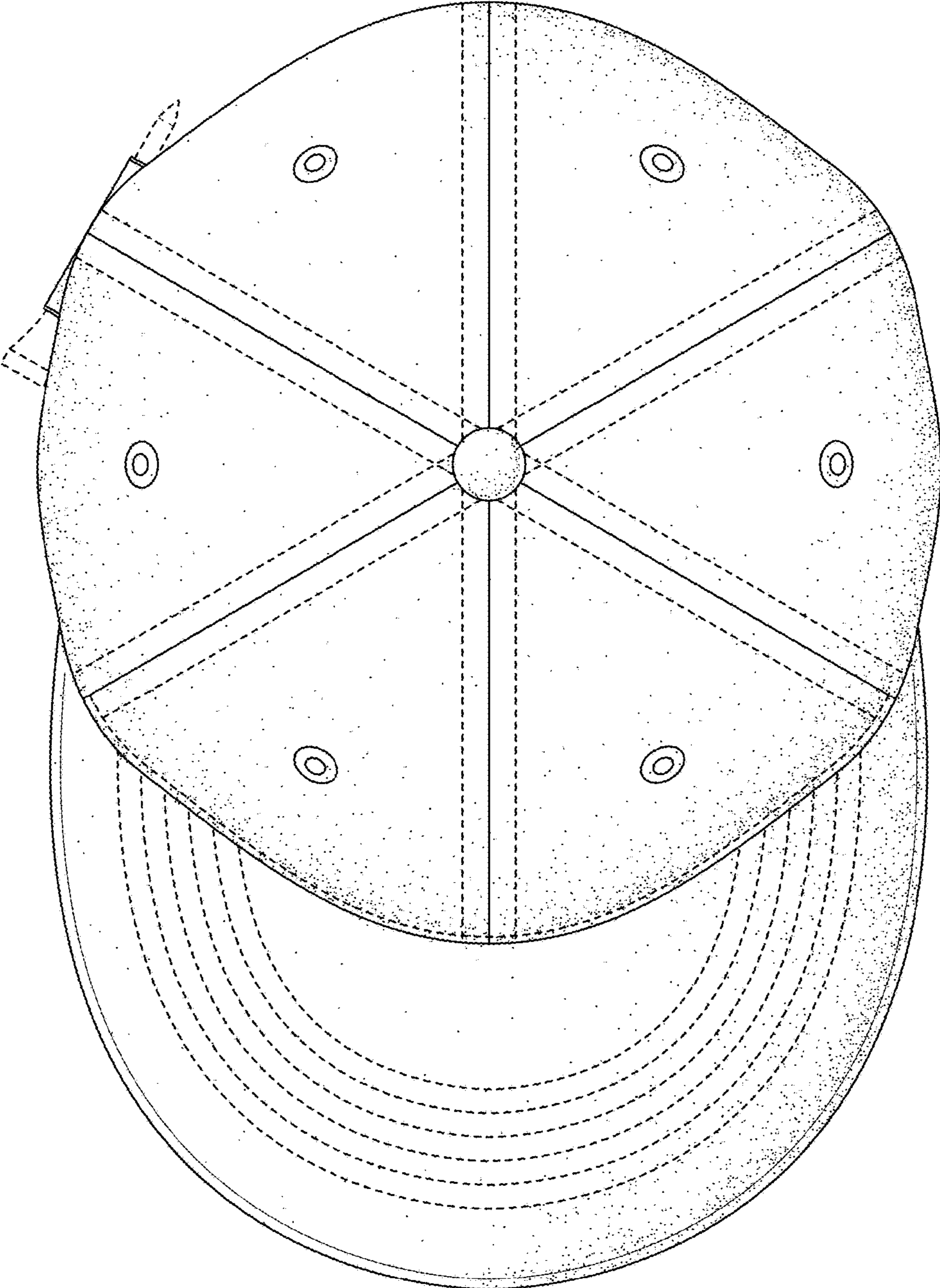


FIG. 6



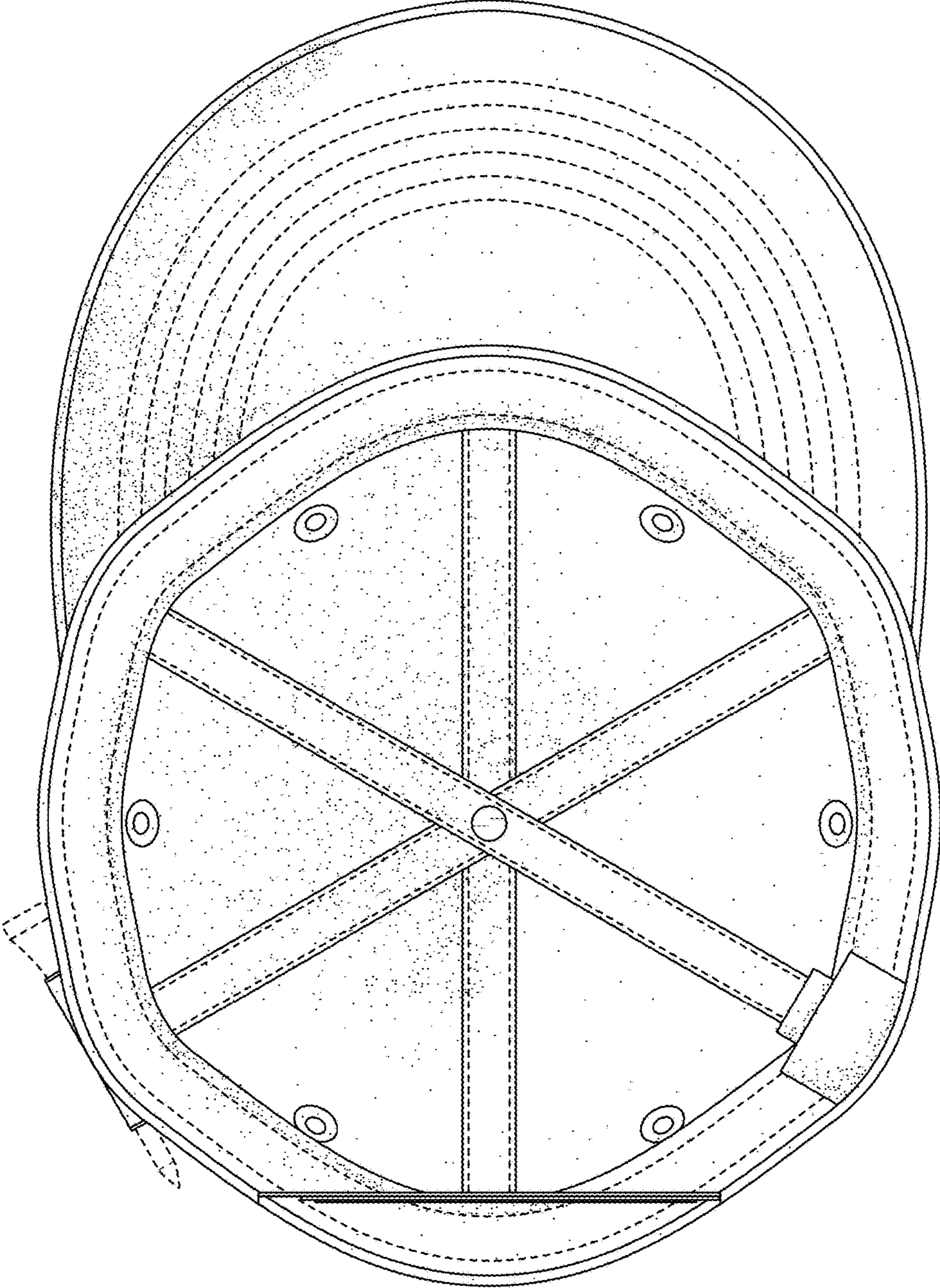


FIG. 7